

**Notes:**

- Maximum Electrical Current: 

AWG	22	20	18	16
AMP	9	12	17	18
- Maximum Electrical Rating: 75° 600 Volts
- Terminal Material: Copper
- Wire Range: 22-16 AWG (0.5-1.5mm<sup>2</sup>)
- Thickness: 0.75mm
- Terminal Surface Treatment: Tin Plated
- #8 Stud Size
- Insulation Material: Vinyl
- Insulation Color: Red

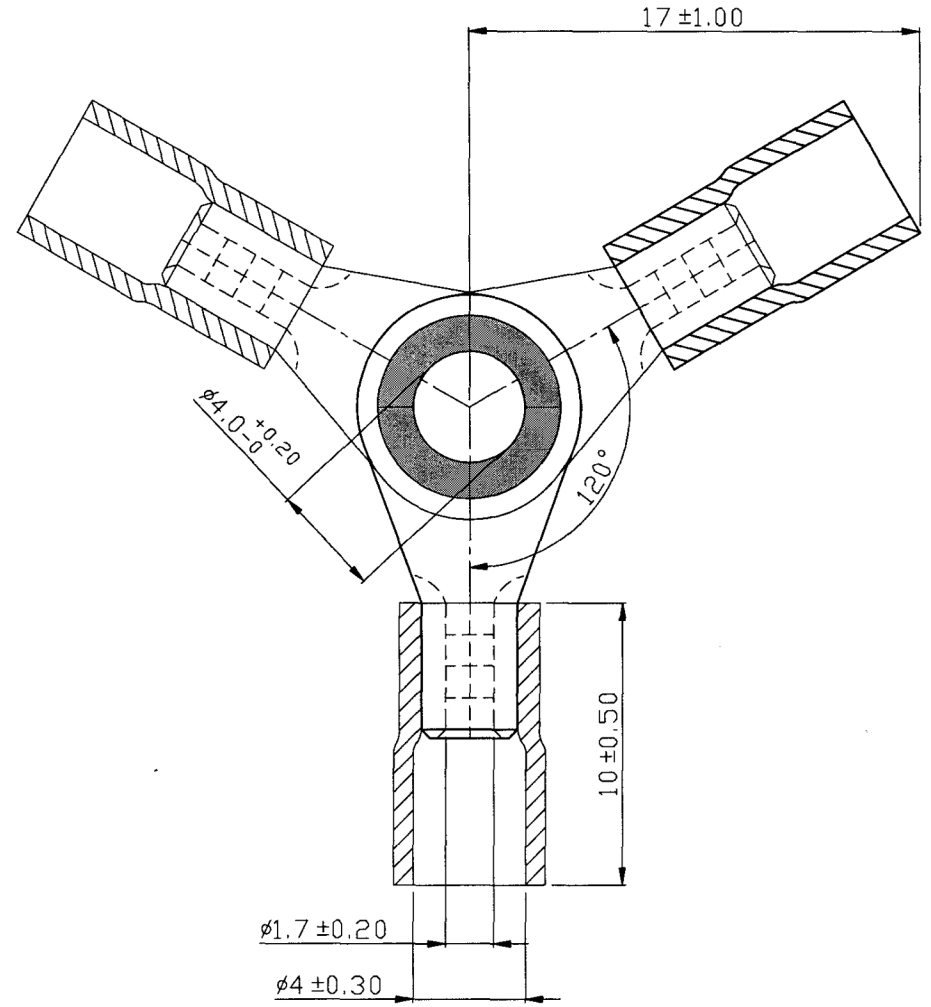
**Standard (Metric)**

- 0.67" (17mm)
- 0.39" (10mm)
- 0.16" (4mm)
- 0.07" (1.7mm)
- 0.16" (4mm)

**Tolerances**

(Unless Otherwise Specified)

<b>CATEGORY</b>	Vinyl Insulated 3 Way Connector	<b>SCALE</b>	4/1
<b>PART #</b>	3WCV1	<b>SHEET</b>	1-0
<b>MATERIAL</b>	Tin Plated Copper	<b>PAGE</b>	10F1



**FerrulesDirect**