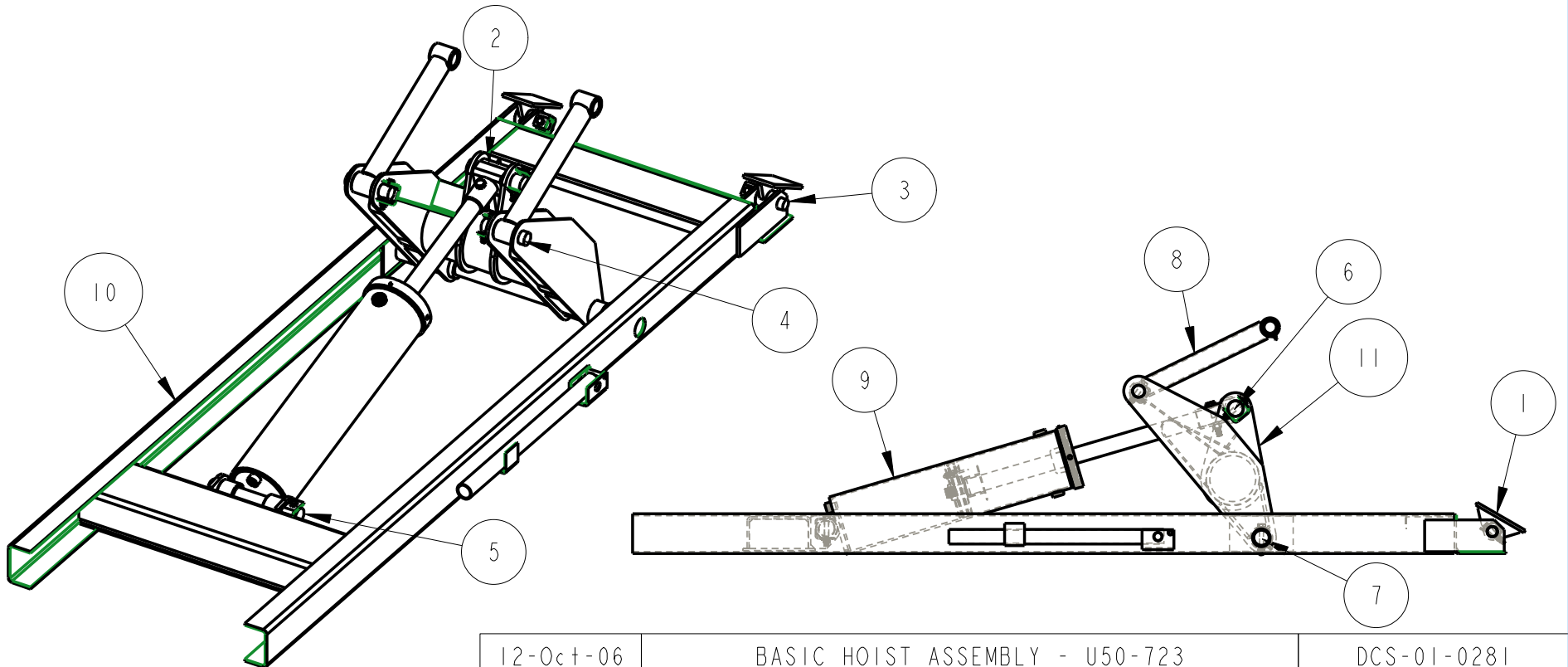




ITEM	QTY.	PART NO.	WARREN PART NO.	DESCRIPTION	WEIGHT
1	2	ACS-01-0101	600-30266	HINGE ASSEMBLY	0.000
2	1	ACS-01-2094	600-30268	PISTON ROD KNUCKLE	6.076
3	2	ACS-02-0180	600-30269	HINGE PIN	1.663
4	2	ACS-02-0484	600-30270	PIN - LIFT LINK - U50-717 & U50-723	2.726
5	1	ACS-02-0485	600-30271	PIVOT PIN - CYLINDER BASE	9.495
6	1	ACS-02-0486	600-30272	PIN - LIFT LINK - U50-717 & U50-723	5.732
7	1	ACS-02-0487	300-30036	SHAFT - LIFT ARM PIVOT	24.755
8	2	BCS-01-0311	600-30273	LIFT LINK ASSEMBLY - 723	0.000
9	1	CCH-41-0122-723	600-80005	CYLINDER ASSEMBLY - 723	127.628
10	1	DCS-01-0276	600-30626	SUBFRAME WELDED ASSEMBLY - U50-723	277.829
11	1	DCS-01-0308	600-30276	LIFT ARM ASSEMBLY - 823	142.802
12	3	FF-00088	900-80046	CAPSCREW-HEX 1/2 NC x 3 1/2 GR8	0.233
13	1	FF-00089	900-80017	WASHER - 1/2 STD. FLAT	0.038
14	4	FF-00090	900-80045	CAPSCREW-HEX 1/2 NC x 3 GR8	0.205
15	1	FF-50094	900-80186	CAPSCREW-HEX 5/8 NC x 4 GR8	0.434
16	7	FF-50203	900-80027	NUT - STOVER LOCK - 1/2 IN. NC	0.032
17	1	FF-50204	900-80178	NUT - STOVER LOCK - 5/8 IN. NC	0.064



12-0ct-06

BASIC HOIST ASSEMBLY - U50-723

DCS-01-0281