



WARREN

LS and LST

Parts Reference Guide



Contents

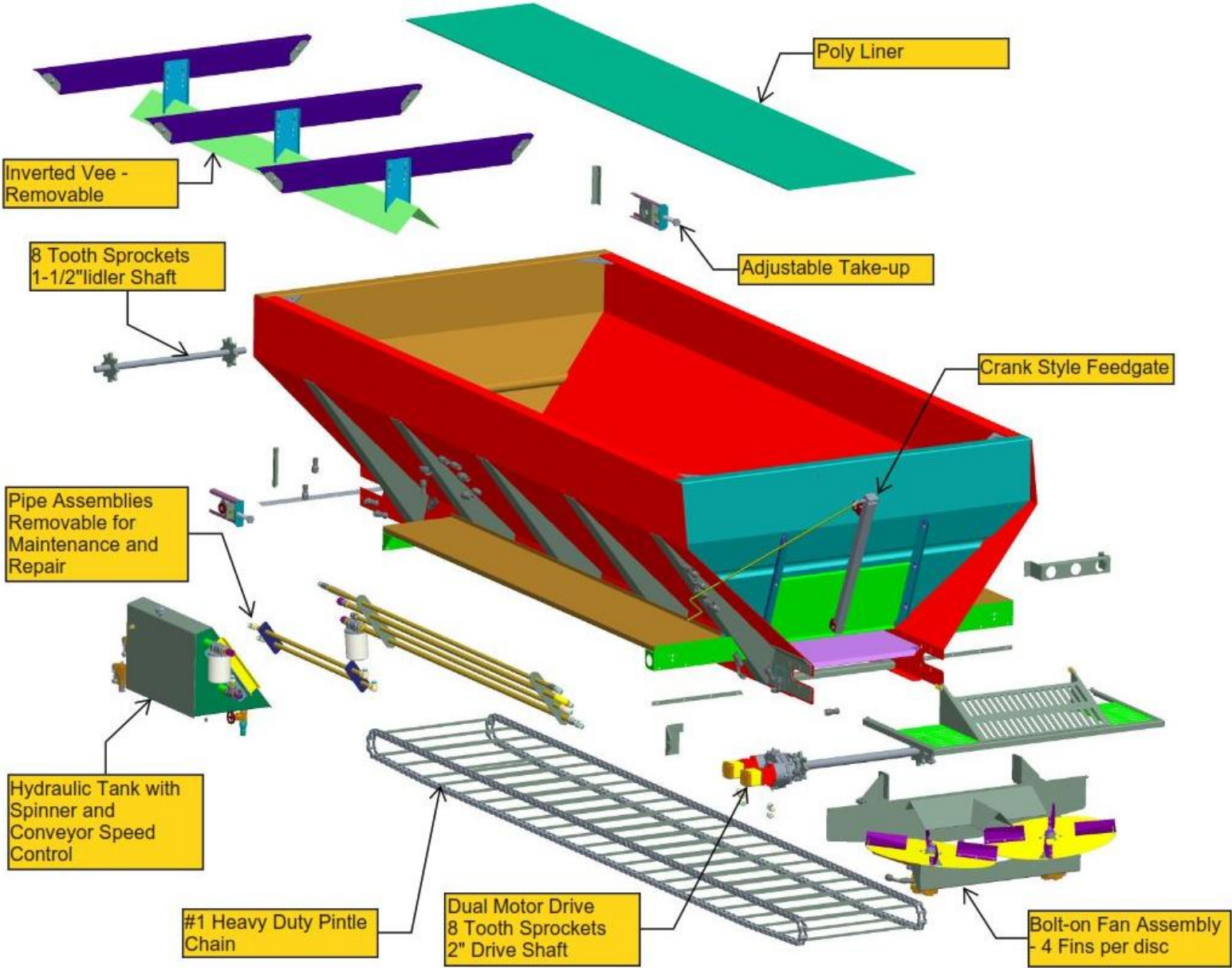
1.1:LS – Litter Spreader.....	7
1.2:LS 14’	8
1.3:LS 16’	10
1.4:LS 18’	12
1.5:LS 20’	14
1.6:LS 22’	16
1.7:LS 24’	18
2.1:LST – Litter Spreader Trailer.....	20
2.2:LST 16’.....	21
2.2.1:LST 16’ Dimensions.....	22
2.2.2:LST 16’ Body	23
2.2.4:LST 16’ Chassis.....	25
2.3:LST 18’.....	27
2.3.1:LST 18’ Dimensions.....	28
2.3.2:LST 18’ Body	29
2.3.4:LST 18’ Chassis.....	31
2.4:LST 20’.....	33
2.4.1:LST 20’ Dimensions.....	34
2.4.2:LST 20’ Body	35
2.4.4:LST 20’ Chassis.....	37
2.5:LST 22’.....	39
2.5.1:LST 22’ Dimensions.....	40
2.5.2:LST 22’ Body	41
2.5.4:LST 22’ Chassis.....	43
2.6:LST 24’.....	45
2.6.1:LST 24’ Dimensions.....	46

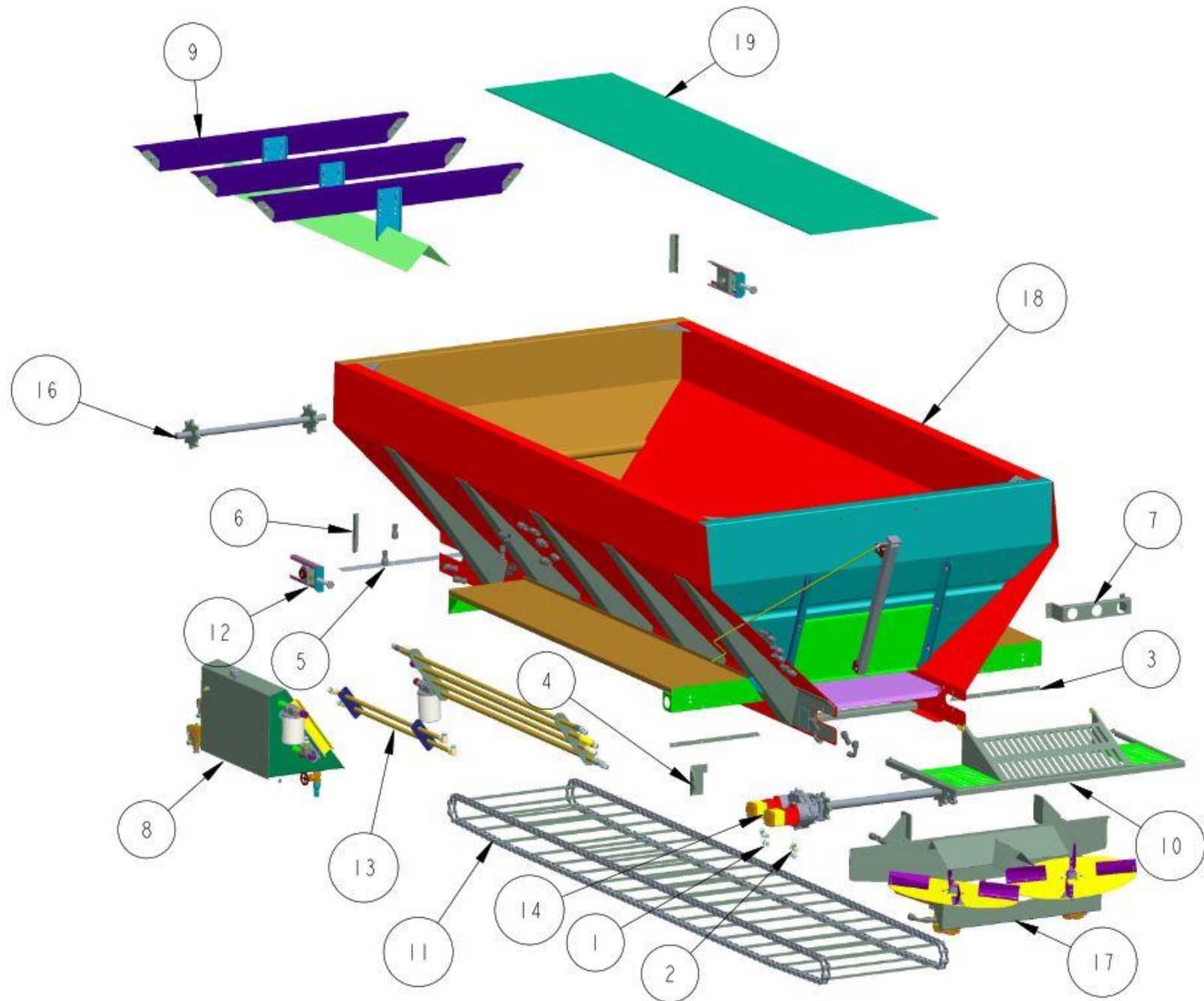
2.6.2:LST 24' Body	47
2.6.4:LST 24' Chassis.....	49
2.7:LST Suspension	51
2.7.1:Hub Assembly – 6,000 lb	52
2.7.2:Hub Assembly – 10,000 lb	53
2.7.3:Walking Beam Arm – 48” Centers	54
2.7.4:Walking Beam Arm – 52” Centers	55
2.7.5:Walking Beam Assembly – 6,000 lb.....	56
2.7.6:Walking Beam Assembly – 10,000 lb.....	57
2.7.7:Cross Beam Assembly.....	58
2.8:Fan Assembly	59
2.8.1:LS Fan Assembly	60
2.8.3:LST Fan Assembly	62
2.8.5:LS and LST Fan Guard	64
2.8.6:Shavings Broadcaster	65
2.8.7:Fan Upper Mount Bracket.....	66
2.8.8:Deflector Assembly	67
2.8.9:Fin Assembly – MS – Right Hand	68
2.8.9:Fin Assembly – MS – Left Hand	69
2.8.10:Disc Assembly – MS – Right Hand	70
2.8.10:Disc Assembly – SS – Right Hand.....	71
2.8.10:Disc Assembly – MS – Left Hand	72
2.8.10:Disc Assembly – SS – Left Hand.....	73
3.1:Drive Components	74
3.1.1:Chains	75
3.1.2:Chain – Number 1 Heavy Duty 14’	76
3.1.3:Chain – Number 2 Heavy Duty 14’	77
3.1.4:Chain – Number 1 Heavy Duty 16’	78

3.1.5:Chain – Number 2 Heavy Duty 16’	79
3.1.6:Chain – Number 1 Heavy Duty 18’	80
3.1.7:Chain – Number 2 Heavy Duty 18’	81
3.1.8:Chain – Number 1 Heavy Duty 20’	82
3.1.9:Chain – Number 2 Heavy Duty 20’	83
3.1.10:Chain – Number 1 Heavy Duty 22’	84
3.1.11:Chain – Number 2 Heavy Duty 22’	85
3.1.12:Chain – Number 1 Heavy Duty 24’	86
3.1.13:Chain – Number 2 Heavy Duty 24’	87
3.1.14:Take-up Assembly	88
3.1.15:Take-up Bolt Assembly	89
3.1.16:Take-up Assembly Weldment	90
3.1.17:LS Drive Assembly – High Torque Motors	91
18:LS Drive Assembly – High Speed Motors.....	92
3.1.19:LS Drive Assembly – 6 Tooth Sprockets.....	93
3.1.20:LS Idler Assembly.....	94
3.1.21:Dual Drive Gearbox	95
4.1:Feedgate	96
4.1.1:Crank Style Feedgate.....	97
4.1.2:Hydraulic Feedgate.....	98
4.1.3:Hydraulic Feedgate Plumbing.....	99
5.1:Catwalk Assembly	100
5.1.1:Catwalk Assembly 14’	101
5.1.2:Catwalk Assembly 16’	102
5.1.3:Catwalk Assembly 18’	103
5.1.3:Catwalk Assembly 20’	104
5.1.4:Catwalk Assembly 22’	105
5.1.5:Catwalk Assembly 24’	106

6.1:Tarp Mount Bracket.....	107
6.1.1:Lower Tarp Mount.....	108
7.1:Hydraulics.....	109
7.1.1:Spinner Hydraulics – Parallel.....	110
7.1.2:Spinner Hydraulics – Series.....	111
7.1.3:LS Body Hydraulics.....	112
7.1.4:LS Truck Hydraulics.....	113
7.1.5:LST Pump Assembly.....	114
7.1.6:LST Shaft Assembly.....	115
7.1.7:LST Shaft Guard Assembly.....	116
7.1.8:LS Tank With Hydraulics.....	117
7.1.9:LST Tank With Hydraulics.....	118

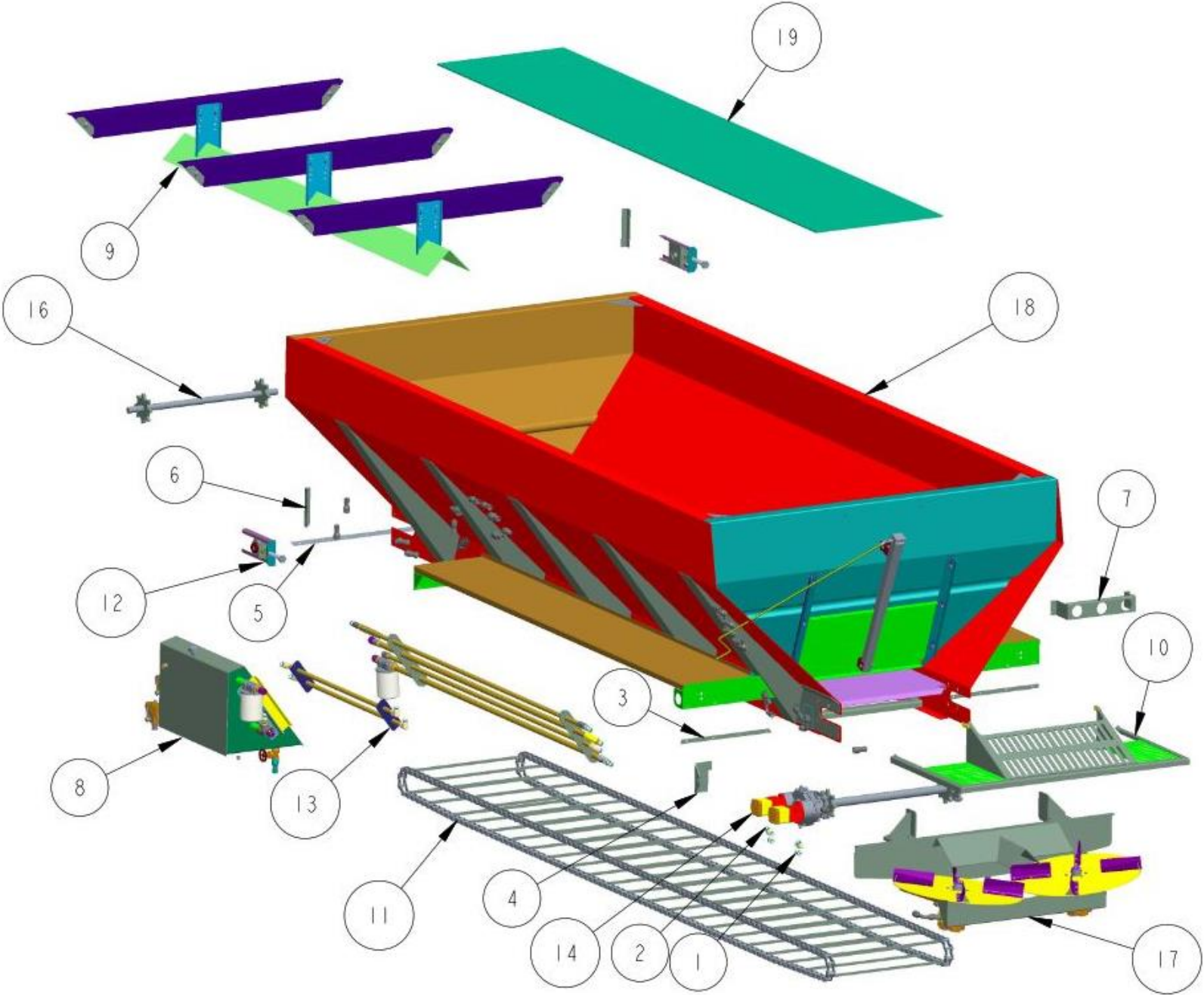
1.1:LS – Litter Spreader



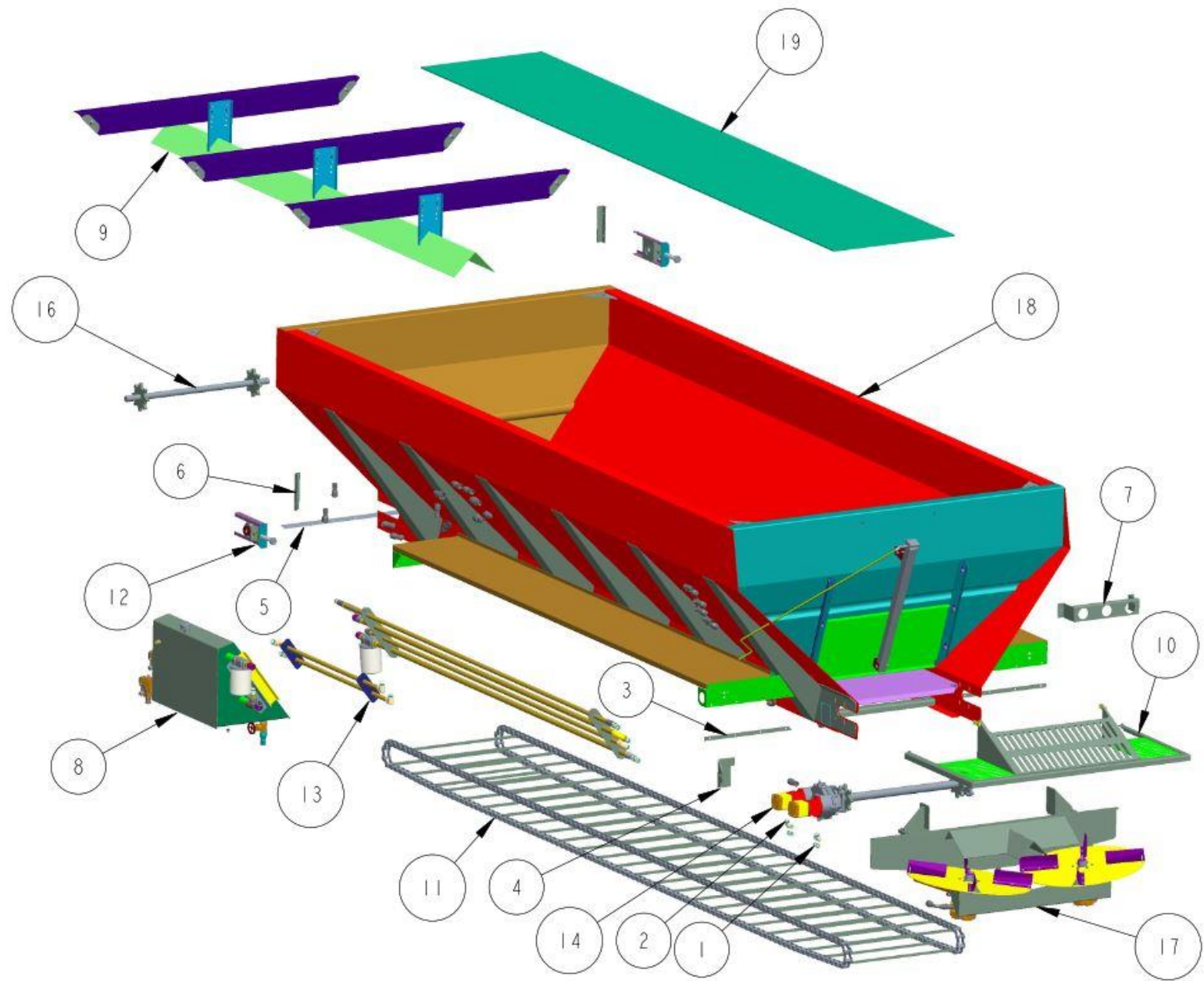


1.2.1:LS 14' BOM

<u>ITEM</u>	<u>QTY.</u>	<u>WARREN PART NO.</u>	<u>DESCRIPTION</u>
1	2	400-80065	ADAPTER-5/8"ORMX3/4"JICM
2	2	400-80073	ELBOW-3/4"JICMX5/8"ORM-90 DEG
3	2	300-30311	MUDFLAP BACKING STRIP - LS
4	1	300-31839	PLATE - GEARBOX MOUNT - STD MS
5	1	300-31840	FRONT WIPER BACKING STRIP
6	2	300-30426	FRONT SILL STIFFENER - LS - MS
7	1	300-30481	LIGHT BAR ASSEMBLY - 24 WIDE - MS
8	1	300-32215	LS TANK ASSEMBLY - TANDEM PUMP - WITH HYDRAULICS INSTALLED
9	1	300-30584	INVERTED VEE ASSEMBLY - 14 FT
10	1	300-31865	GUARD ASSY - LS - 30" SPINNERS - MS
11	1	300-32192	CHAIN - PINTLE #1 HD 14' - LS3420
12	2	300-30564	TAKE-UP - LS / LST
13	1		HYDRAULIC PIPES FOR LS - 14 FT.
14	1	300-32159	DRIVE ASSY-34 WIDE-DUAL DRIVE-LS-8T SPROCKETS
15	1	300-32212	HYDRAULICS USED IN FINAL ASSEMBLY FOR LS
16	1	300-31890	IDLER SHAFT & SPROCKETS - 34 WIDE
17	1	300-31891	FAN ASSEMBLY COMPLETE - LS - MS
18	1	300-32168	LITTER SPREADER SHELL - 14' - 54" SIDE HEIGHT - MS
19	1	HMW3/8X33XFOOT	PLASTIC PAN FOR LS - 14 FT

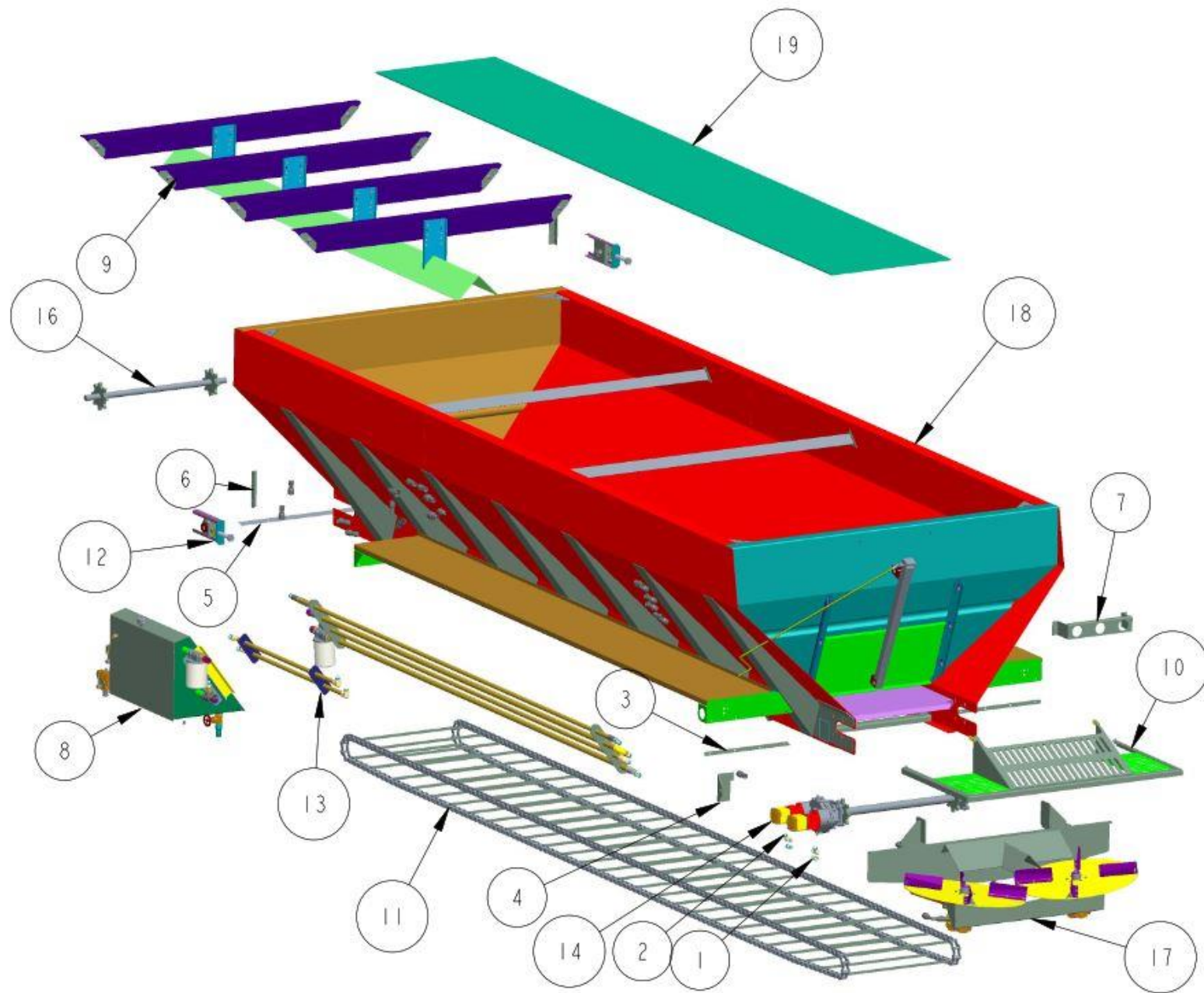


<u>ITEM</u>	<u>QTY.</u>	<u>WARREN PART NO.</u>	<u>DESCRIPTION</u>
1	2	400-80065	ADAPTER-5/8"ORMX3/4"JICM
2	2	400-80073	ELBOW-3/4"JICMX5/8"ORM-90 DEG
3	2	300-30311	MUDFLAP BACKING STRIP - LS
4	1	300-31839	PLATE - GEARBOX MOUNT - STD MS
5	1	300-31840	FRONT WIPER BACKING STRIP
6	2	300-30426	FRONT SILL STIFFENER - LS - MS
7	1	300-30481	LIGHT BAR ASSEMBLY - 24 WIDE - MS
8	1	300-32215	LS TANK ASSEMBLY - TANDEM PUMP - WITH HYDRAULICS INSTALLED
9	1	300-30585	INVERTED VEE ASSEMBLY - 16 FT
10	1	300-31865	GUARD ASSY - LS - 30" SPINNERS - MS
11	1	300-32193	CHAIN - PINTLE #1 HD 16' - LS3420
12	2	300-30564	TAKE-UP - LS / LST
13	1		HYDRAULIC PIPES FOR LS - 16 FT.
14	1	300-32159	DRIVE ASSY-34 WIDE-DUAL DRIVE-LS-8T SPROCKETS
15	1	300-32212	HYDRAULICS USED IN FINAL ASSEMBLY FOR LS
16	1	300-31890	IDLER SHAFT & SPROCKETS - 34 WIDE
17	1	300-31891	FAN ASSEMBLY COMPLETE - LS - MS
18	1	300-32169	LITTER SPREADER SHELL - 16' - 54" SIDE HEIGHT - MS
19	1	HMW3/8X33XFOOT	PLASTIC PAN FOR LS - 16 FT



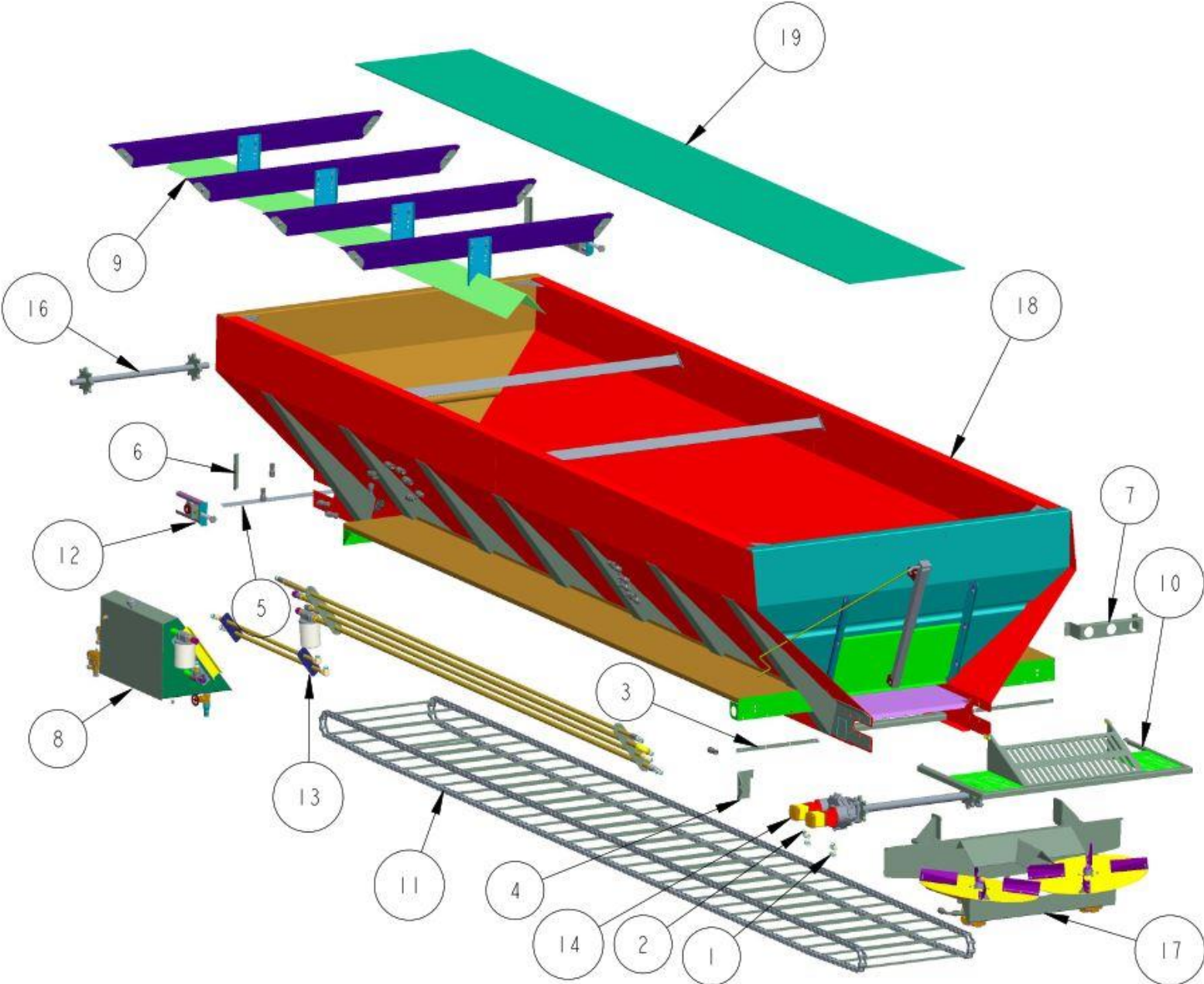
1.4.1:LS 18' BOM

<u>ITEM</u>	<u>QTY.</u>	<u>WARREN PART NO.</u>	<u>DESCRIPTION</u>
1	2	400-80065	ADAPTER-5/8"ORMX3/4"JICM
2	2	400-80073	ELBOW-3/4"JICMX5/8"ORM-90 DEG
3	2	300-30311	MUDFLAP BACKING STRIP - LS
4	1	300-31839	PLATE - GEARBOX MOUNT - STD MS
5	1	300-31840	FRONT WIPER BACKING STRIP
6	2	300-30426	FRONT SILL STIFFENER - LS - MS
7	1	300-30481	LIGHT BAR ASSEMBLY - 24 WIDE - MS
8	1	300-32215	LS TANK ASSEMBLY - TANDEM PUMP - WITH HYDRAULICS INSTALLED
9	1	300-31862	INVERTED VEE ASSEMBLY - 18 FT
10	1	300-31865	GUARD ASSY - LS - 30" SPINNERS - MS
11	1	300-32194	CHAIN - PINTLE #1 HD 18' - LS3420
12	2	300-30564	TAKE-UP - LS / LST
13	1		HYDRAULIC PIPES FOR LS - 18 FT.
14	1	300-32159	DRIVE ASSY-34 WIDE-DUAL DRIVE-LS-8T SPROCKETS
15	1	300-32212	HYDRAULICS USED IN FINAL ASSEMBLY FOR LS
16	1	300-31890	IDLER SHAFT & SPROCKETS - 34 WIDE
17	1	300-31891	FAN ASSEMBLY COMPLETE - LS - MS
18	1	300-32170	LITTER SPREADER SHELL - 18' - 54" SIDE HEIGHT - MS
19	1	HMW3/8X33XFOOT	PLASTIC PAN FOR LS - 18 FT



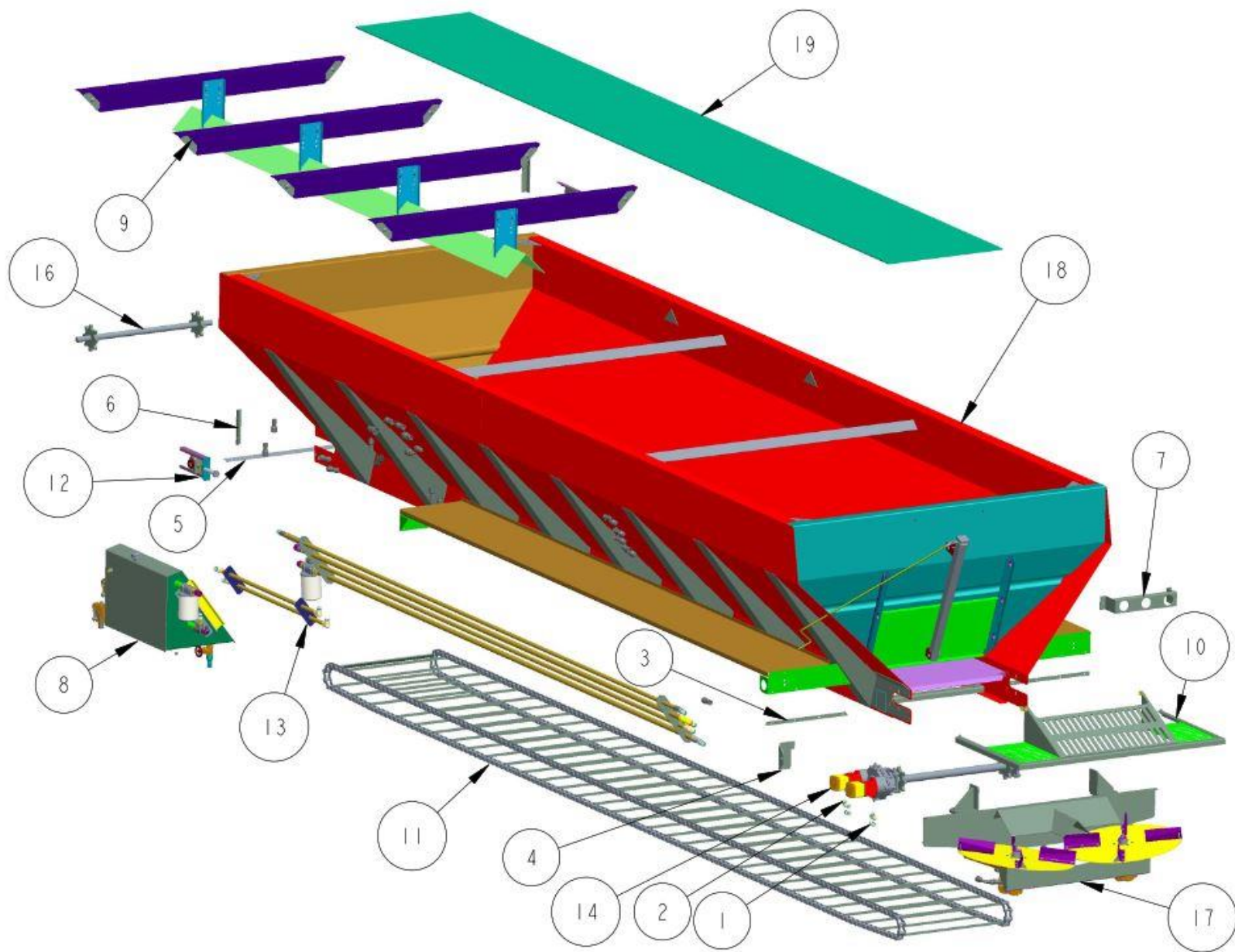
1.5.1:LS 20' BOM

<u>ITEM</u>	<u>QTY.</u>	<u>WARREN PART NO.</u>	<u>DESCRIPTION</u>
1	2	400-80065	ADAPTER-5/8"ORMX3/4"JICM
2	2	400-80073	ELBOW-3/4"JICMX5/8"ORM-90 DEG
3	2	300-30311	MUDFLAP BACKING STRIP - LS
4	1	300-31839	PLATE - GEARBOX MOUNT - STD MS
5	1	300-31840	FRONT WIPER BACKING STRIP
6	2	300-30426	FRONT SILL STIFFENER - LS - MS
7	1	300-30481	LIGHT BAR ASSEMBLY - 24 WIDE - MS
8	1	300-32215	LS TANK ASSEMBLY - TANDEM PUMP - WITH HYDRAULICS INSTALLED
9	1	300-32353	INVERTED VEE ASSEMBLY - 20 FT
10	1	300-31865	GUARD ASSY - LS - 30" SPINNERS - MS
11	1	300-32195	CHAIN - PINTLE #1 HD 20' - LS3420
12	2	300-30564	TAKE-UP - LS / LST
13	1		HYDRAULIC PIPES FOR LS - 20 FT.
14	1	300-32159	DRIVE ASSY-34 WIDE-DUAL DRIVE-LS-8T SPROCKETS
15	1	300-32212	HYDRAULICS USED IN FINAL ASSEMBLY FOR LS
16	1	300-31890	IDLER SHAFT & SPROCKETS - 34 WIDE
17	1	300-31891	FAN ASSEMBLY COMPLETE - LS - MS
18	1	300-32171	LITTER SPREADER SHELL - 20' - 54" SIDE HEIGHT - MS
19	1	HMW3/8X33XFOOT	PLASTIC PAN FOR LS - 20 FT



1.6.1:LS 22' BOM

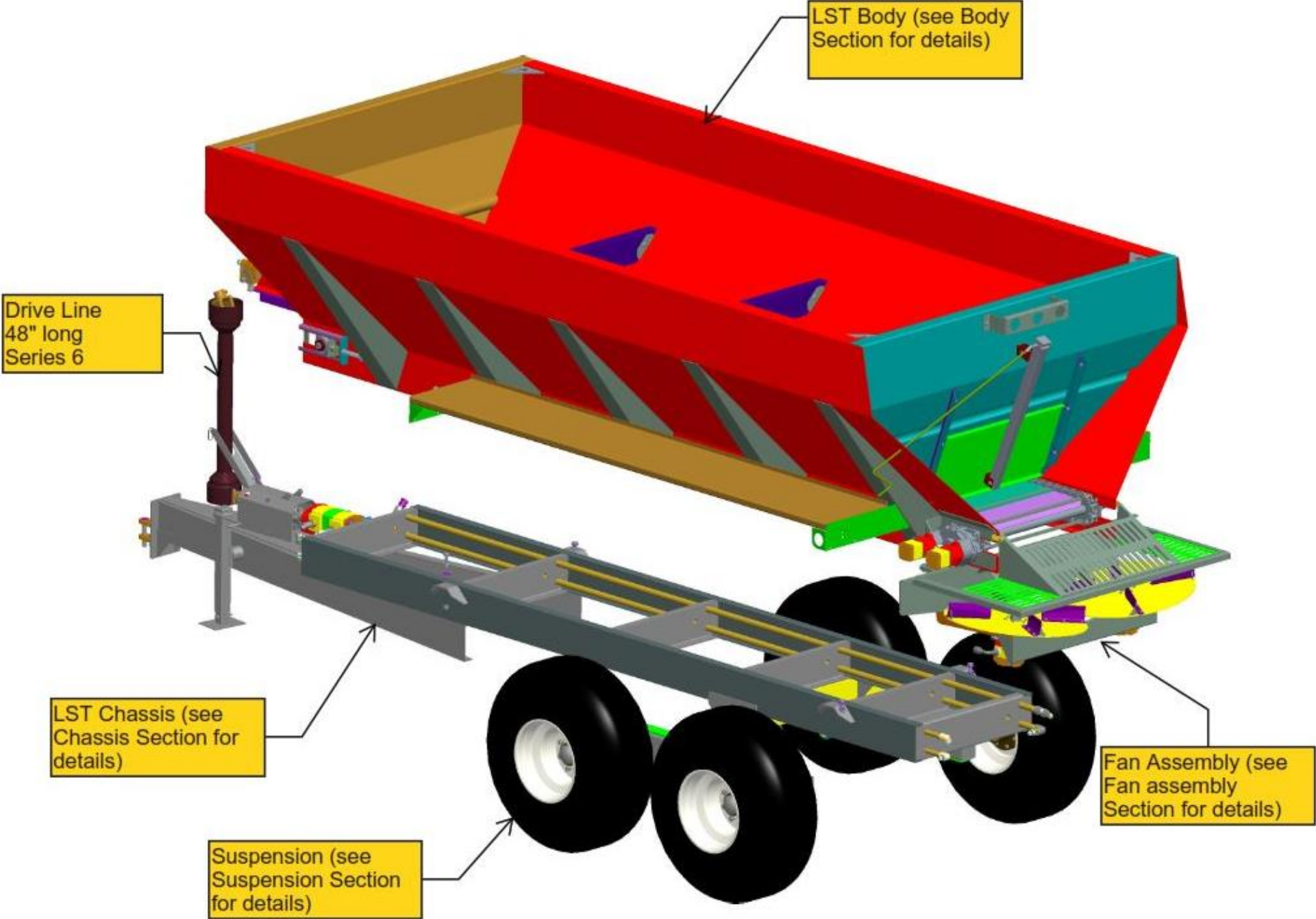
<u>ITEM</u>	<u>QTY.</u>	<u>WARREN PART NO.</u>	<u>DESCRIPTION</u>
1	2	400-80065	ADAPTER-5/8"ORMX3/4"JICM
2	2	400-80073	ELBOW-3/4"JICMX5/8"ORM-90 DEG
3	2	300-30311	MUDFLAP BACKING STRIP - LS
4	1	300-31839	PLATE - GEARBOX MOUNT - STD MS
5	1	300-31840	FRONT WIPER BACKING STRIP
6	2	300-30426	FRONT SILL STIFFENER - LS - MS
7	1	300-30481	LIGHT BAR ASSEMBLY - 24 WIDE - MS
8	1	300-32215	LS TANK ASSEMBLY - TANDEM PUMP - WITH HYDRAULICS INSTALLED
9	1	300-32354	INVERTED VEE ASSEMBLY - 22 FT
10	1	300-31865	GUARD ASSY - LS - 30" SPINNERS - MS
11	1	300-32196	CHAIN - PINTLE #1 HD 22' - LS3420
12	2	300-30564	TAKE-UP - LS / LST
13	1		HYDRAULIC PIPES FOR LS - 22 FT.
14	1	300-32159	DRIVE ASSY-34 WIDE-DUAL DRIVE-LS-8T SPROCKETS
15	1	300-32212	HYDRAULICS USED IN FINAL ASSEMBLY FOR LS
16	1	300-31890	IDLER SHAFT & SPROCKETS - 34 WIDE
17	1	300-31891	FAN ASSEMBLY COMPLETE - LS - MS
18	1	300-32172	LITTER SPREADER SHELL - 22' - 54" SIDE HEIGHT - MS
19	1	HMW3/8X33XFOOT	PLASTIC PAN FOR LS - 22 FT

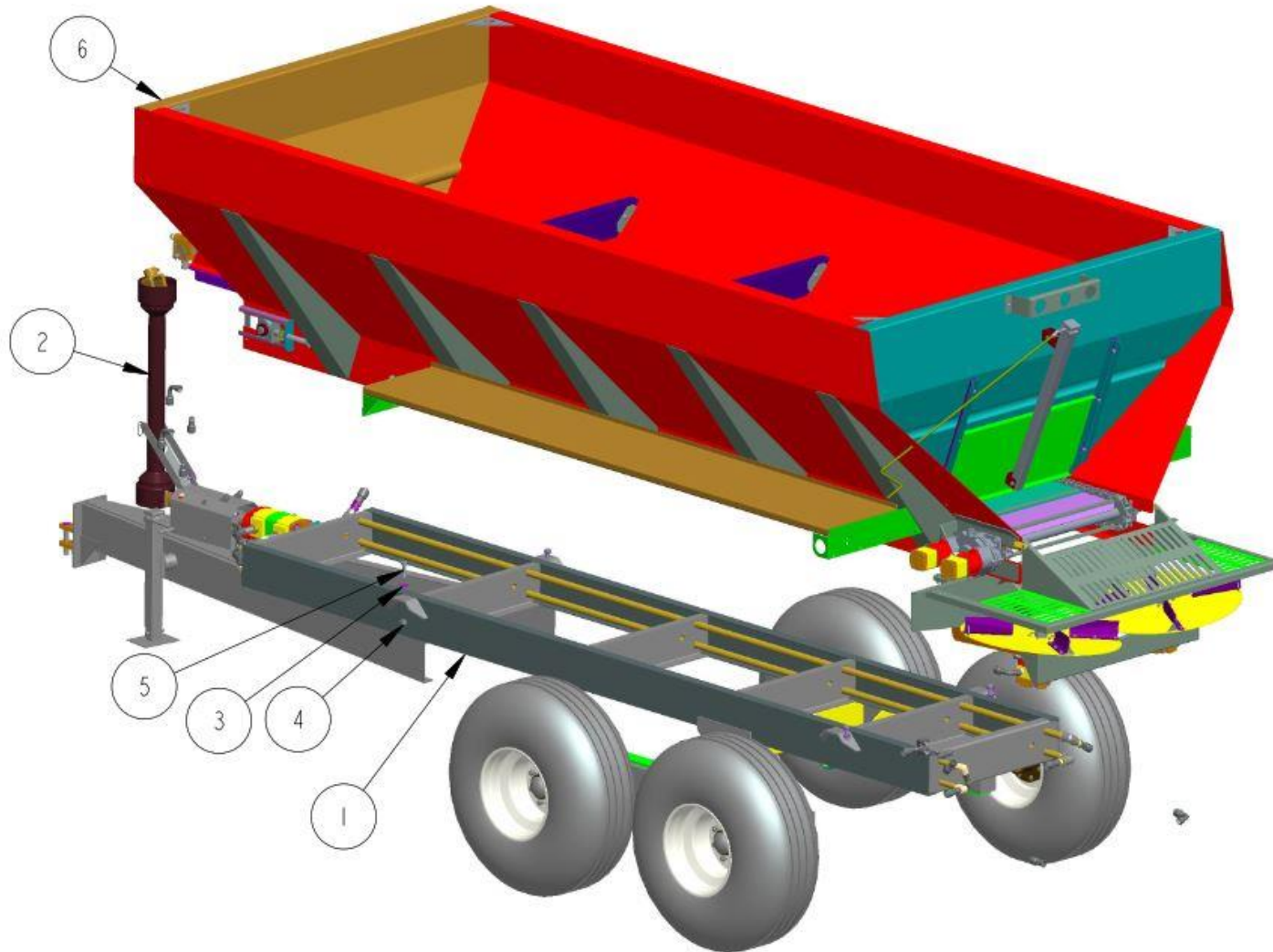


1.7.1:LS 24' BOM

<u>ITEM</u>	<u>QTY.</u>	<u>WARREN PART NO.</u>	<u>DESCRIPTION</u>
1	2	400-80065	ADAPTER-5/8"ORMX3/4"JICM
2	2	400-80073	ELBOW-3/4"JICMX5/8"ORM-90 DEG
3	2	300-30311	MUDFLAP BACKING STRIP - LS
4	1	300-31839	PLATE - GEARBOX MOUNT - STD MS
5	1	300-31840	FRONT WIPER BACKING STRIP
6	2	300-30426	FRONT SILL STIFFENER - LS - MS
7	1	300-30481	LIGHT BAR ASSEMBLY - 24 WIDE - MS
8	1	300-32215	LS TANK ASSEMBLY - TANDEM PUMP - WITH HYDRAULICS INSTALLED
9	1	300-32355	INVERTED VEE ASSEMBLY - 24 FT
10	1	300-31865	GUARD ASSY - LS - 30" SPINNERS - MS
11	1	300-32196	CHAIN - PINTLE #1 HD 24' - LS3420
12	2	300-30564	TAKE-UP - LS / LST
13	1		HYDRAULIC PIPES FOR LS - 24 FT.
14	1	300-32159	DRIVE ASSY-34 WIDE-DUAL DRIVE-LS-8T SPROCKETS
15	1	300-32212	HYDRAULICS USED IN FINAL ASSEMBLY FOR LS
16	1	300-31890	IDLER SHAFT & SPROCKETS - 34 WIDE
17	1	300-31891	FAN ASSEMBLY COMPLETE - LS - MS
18	1	300-32173	LITTER SPREADER SHELL - 24' - 54" SIDE HEIGHT - MS
19	1	HMW3/8X33XFOOT	PLASTIC PAN FOR LS - 24 FT

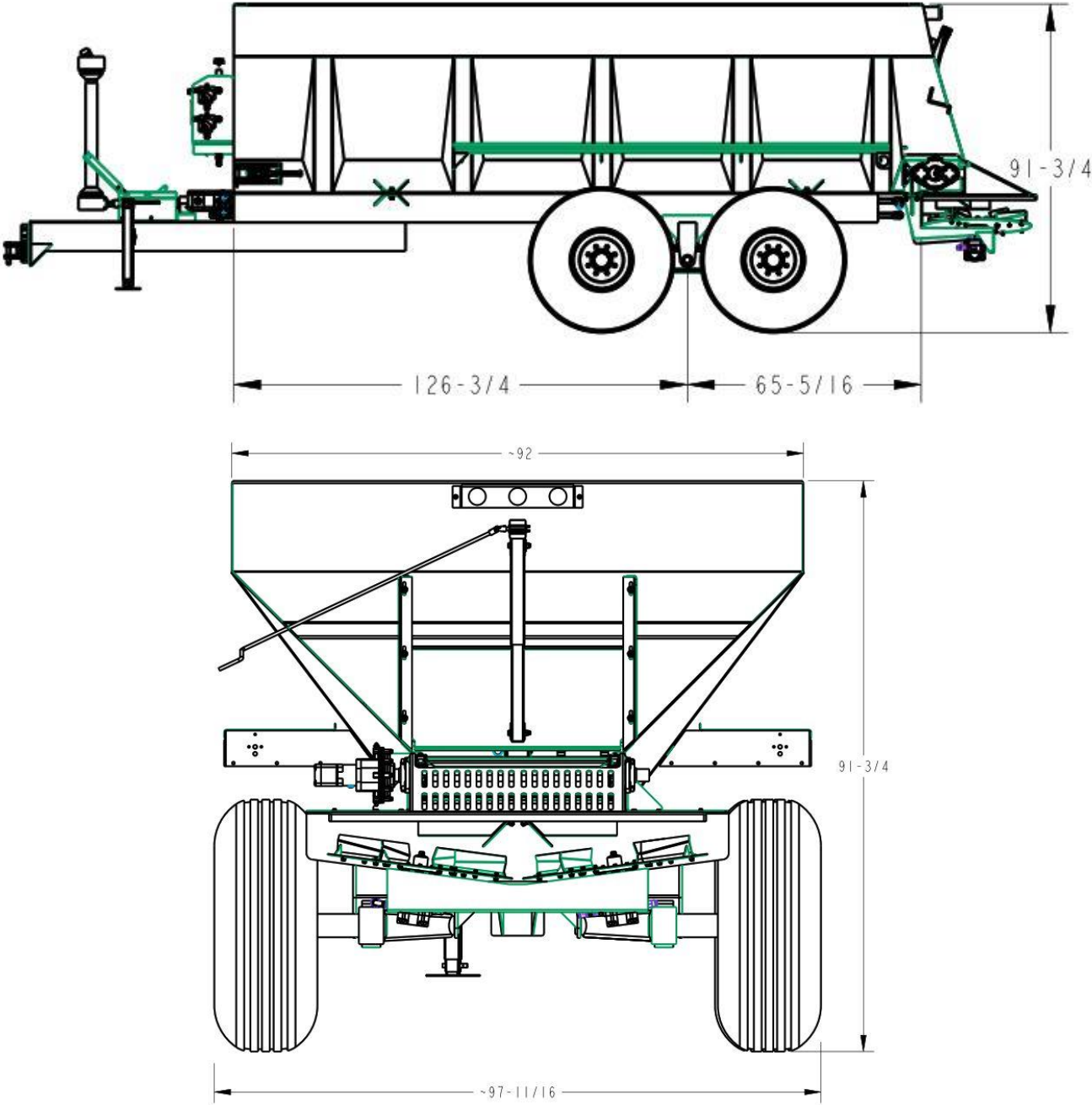
2.1:LST – Litter Spreader Trailer

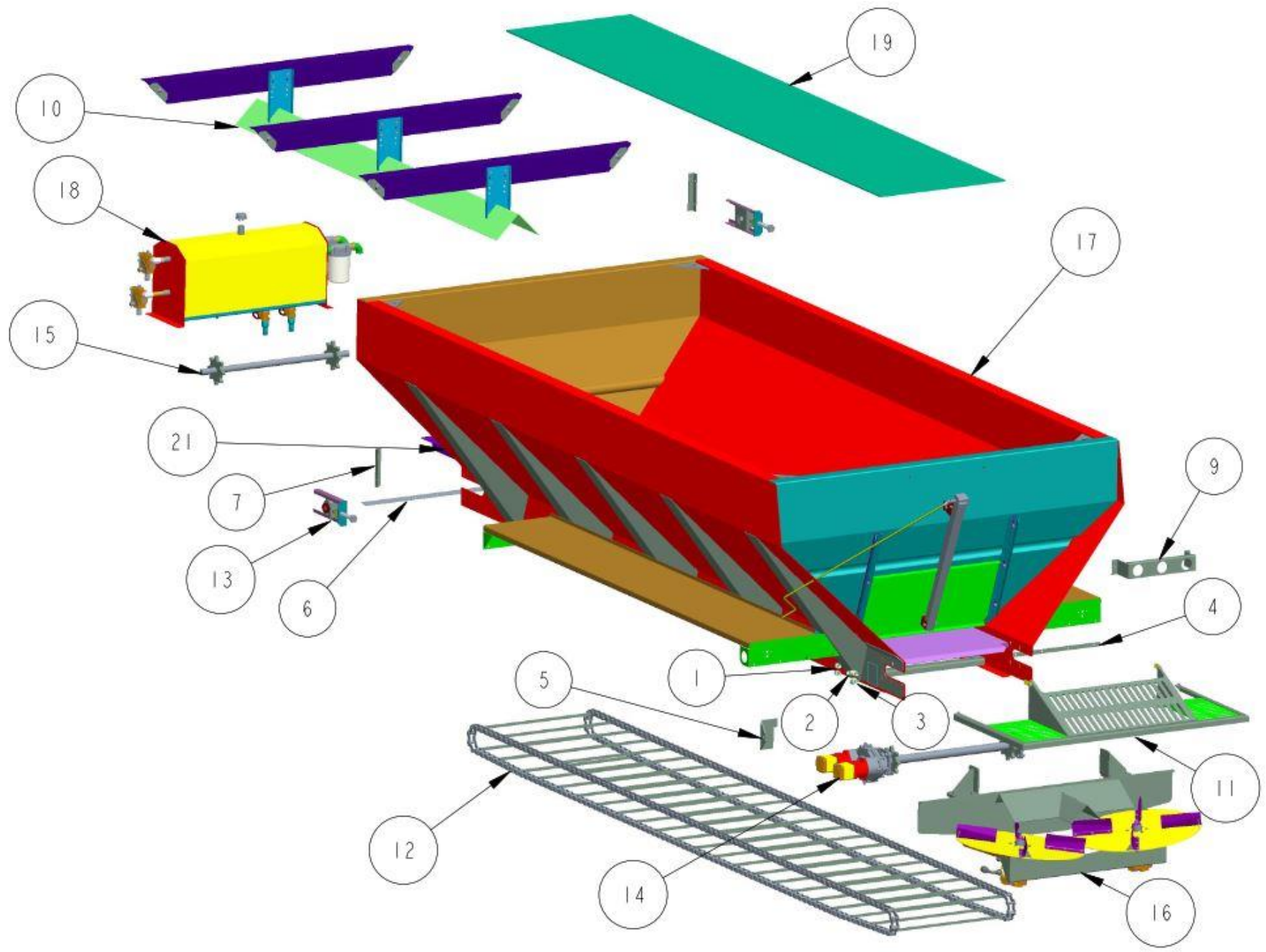




<u>ITEM</u>	<u>QTY.</u>	<u>WARREN PART NO.</u>	<u>DESCRIPTION</u>
1	1	300-32139	LST CHASSIS ASSEMBLY - 16' TANDEM - 48" SPREAD
2	1	300-32282	Series 6 Drive Line 48"
3	8	900-80092	3/4 FLAT WASHER A325 ZN
4	4	900-80098	NUT - STOVER LOCK - 3/4 IN. NC
5	4	900-80100	3/4-10 X 2-1/2 HEX CAP SCREW GR 8 YEL ZN
6	1	300-32181	LS-3420 ASSEMBLY - 16 FT. - 30" SPINNER - FOR LST

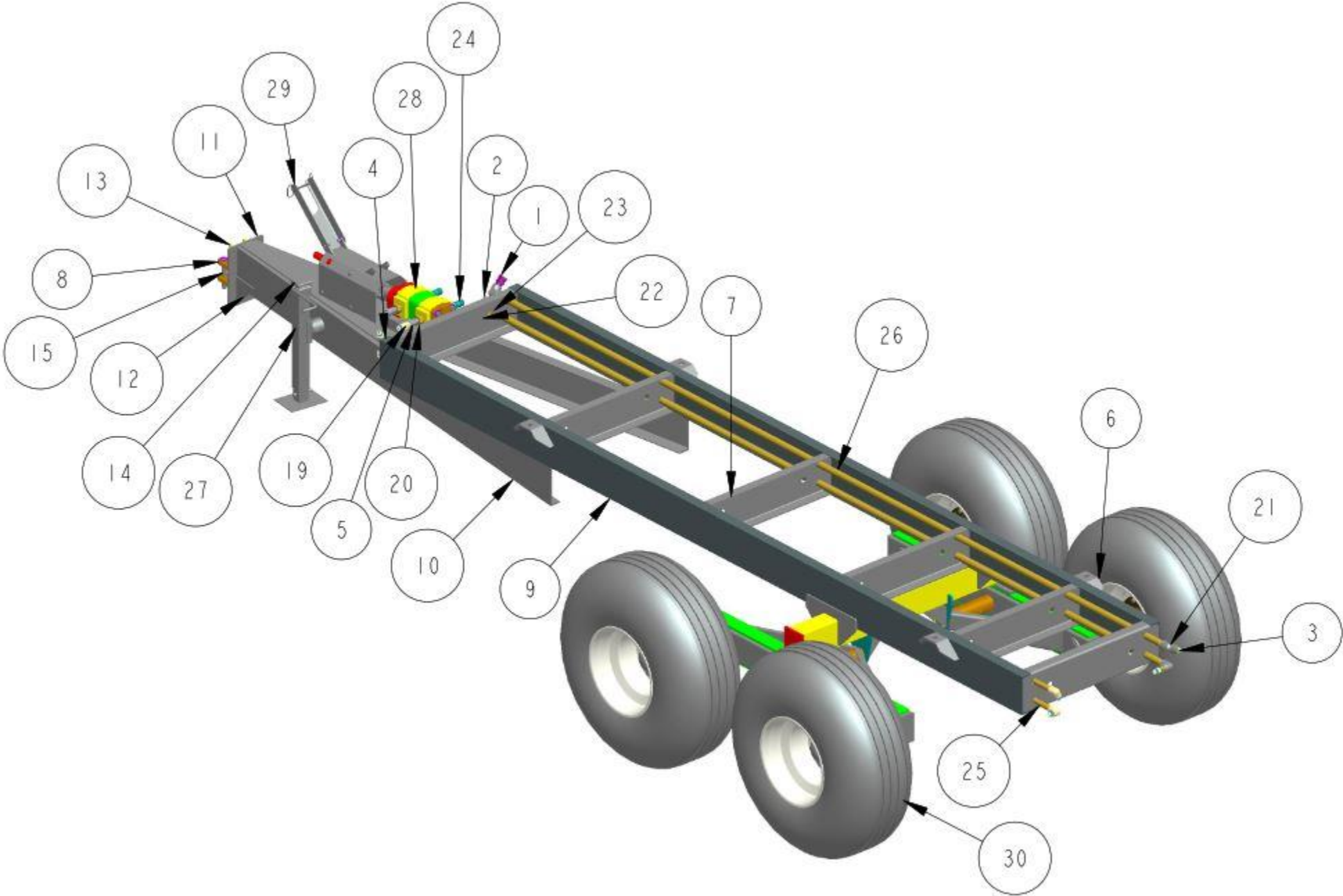
2.2.1:LST 16' Dimensions





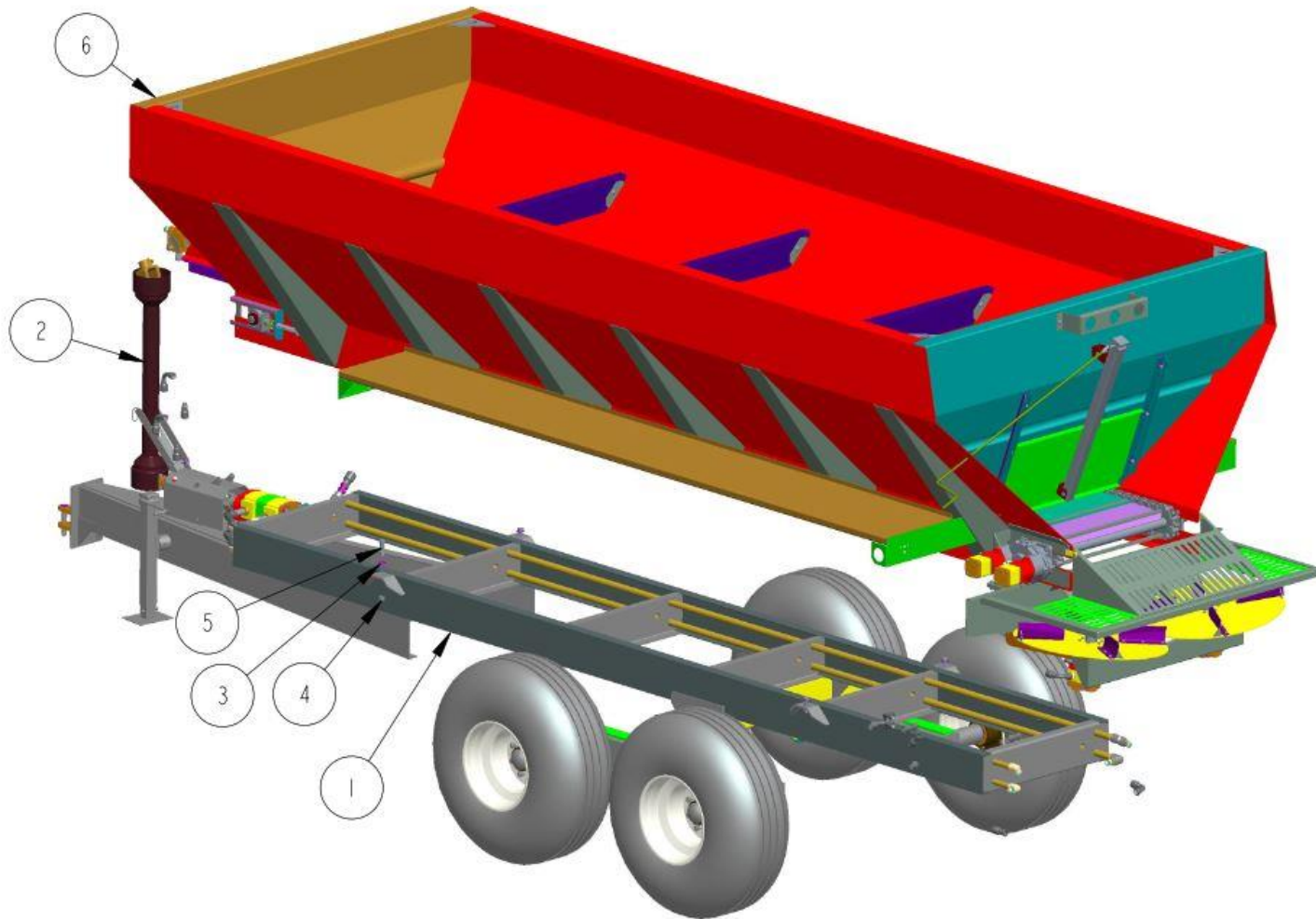
2.2.3:LST 16' Body BOM

<u>ITEM</u>	<u>QTY.</u>	<u>WARREN PART NO.</u>	<u>DESCRIPTION</u>
1	2	400-80065	ADAPTER-5/8"ORMX3/4"JICM
2	1	400-80073	ELBOW-3/4"JICMX5/8"ORM-90 DEG
3	1	400-80091	ELBOW-5/8"ORMX3/4"JICM-45 DEG
4	1	300-30311	MUDFLAP BACKING STRIP - LS
5	1	300-31839	PLATE - GEARBOX MOUNT - STD MS
6	1	300-31840	FRONT WIPER BACKING STRIP
7	2	300-30426	FRONT SILL STIFFENER - LS - MS
8	4	300-31791	LST MOUNTING BRACKET - BODY
9	1	300-30481	LIGHT BAR ASSEMBLY - 24 WIDE - MS
10	1	300-30585	INVERTED VEE ASSEMBLY - 16 FT
11	1	300-31865	GUARD ASSY - LS - 30" SPINNERS - MS
12	1	300-32193	CHAIN - PINTLE #1 HD 16' - LS3420
13	2	300-30564	TAKE-UP - LS / LST
14	1	300-32159	DRIVE ASSY-34 WIDE-DUAL DRIVE-LS-8T SPROCKETS
15	1	300-32160	IDLER SHAFT & SPROCKETS - 34 WIDE - 8 TOOTH SPROCKETS
16	1	300-32204	FAN ASSEMBLY COMPLETE - LST - MS
17	1	300-32169	LITTER SPREADER SHELL - 16' - 54" SIDE HEIGHT - MS
18	1	300-32214	LST TANK WITH HYDRAULICS INSTALLED - MS
19	1	HMW3/8X33XFOOT	PLASTIC PAN FOR LS - 16 FT
20	1	300-31611	SIGHT PLATE FOR PLEXIGLASS
21	2	300-31615	TANK SUPPORT ANGLE - MS



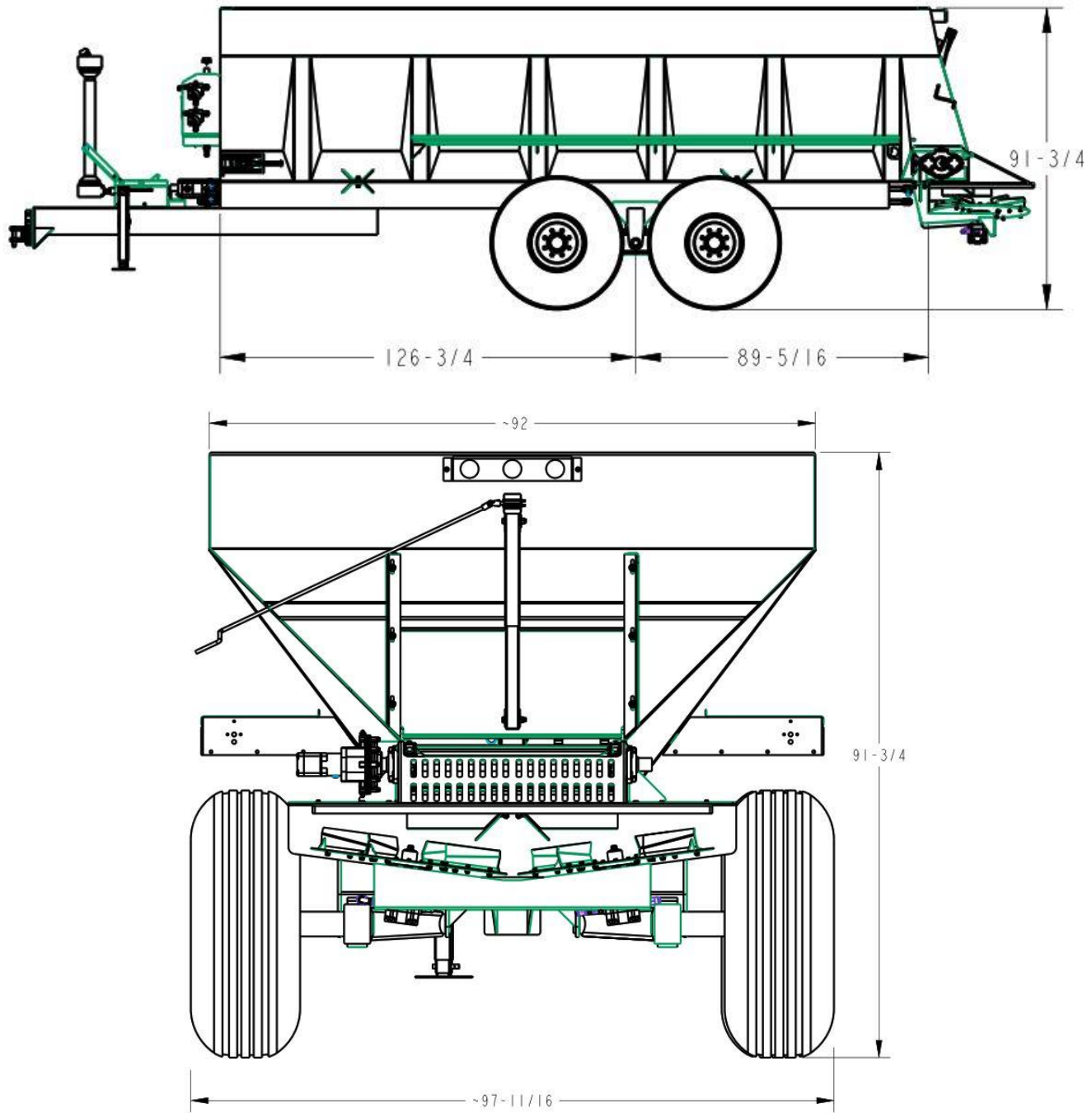
2.2.5:LST 16' Chassis BOM

<u>ITEM</u>	<u>QTY.</u>	<u>WARREN PART NO.</u>	<u>DESCRIPTION</u>
1	1	400-80155	ADAPTER-1"NPTMX1"NPTFM-SW
2	1	400-80220	ELBOW-1"NPTMXNPTFM-90 DEG-SW
3	3	400-80093	ADAPTER-3/4"NPTMX3/4"JICM
4	4	400-80138	ELBOW-3/4"NPTFMX3/4"JICM-90 DEG
5	2	400-80290	ADAPTER-3/4"NPTMX3/4"JICFM-SW
6	4	300-31790	LST MOUNTING BRACKET - TRAILER
7	6	300-31793	CROSSMEBER FOR LST CHASSIS
8	1	300-31357	WALLACE FORGE CLEVIS HITCH
9	2	300-31795	LONGRAIL - FOR LST - 16' SPREADER
10	2	300-31800	TONGUE FRAME - LST - TANDEM
11	1	300-31801	TONGUE END PLATE
12	2	300-31802	TONGUE FRAME BRACE
13	1	300-31803	FRONT HITCH CHANNEL - SPREADER TRAILER
14	1	300-31804	TONGUE SUPPORT PLATE
15	1	300-31805	TRAILER PIN - LST HITCH
16	3	900-80177	5/8-11 NYLON INSERT LOCKNUT ZN
17	6	900-80170	5/8 FLAT WASHER A325 ZN
18	3	900-80187	5/8-11 X 5 HEX CAP SCREW GR 8 YEL ZN
19	1	400-80092	TEE-3/4"JICMX3/4"JICMX3/4"JICFM-SW
20	2	400-80061	BUSHING-1-1/4"X3/4" NPT BP
21	3	400-80143	ELBOW - 1 IN. NPT FORGED
22	3	400-80006	BUSHING-1"NPTMX3/4"NPTFM-BP
23	1	400-80179	TEE-1"NPTFMX1"NPTFMX1"NPTFM-BP
24	2	400-80210	NIPPLE-1-1/4"NPT-KING
25	2	300-31808	HYDRAULIC PIPE - LST - 16 FT - PRESSURE
26	2	300-31809	HYDRAULIC PIPE - LST - 16 FT - RETURN
27	1	200-60051	FEEDGATE JACK
28	1	300-32280	PUMP MOUNT ASSEMBLY FOR TANDEM PUMP - LONG
29	1	300-31820	GUARD ASSEMBLY FOR LST DRIVE LINE
30	1	300-31821	WALKING BEAM ASSEMBLY - 48" SPREAD - 16.5L - LST

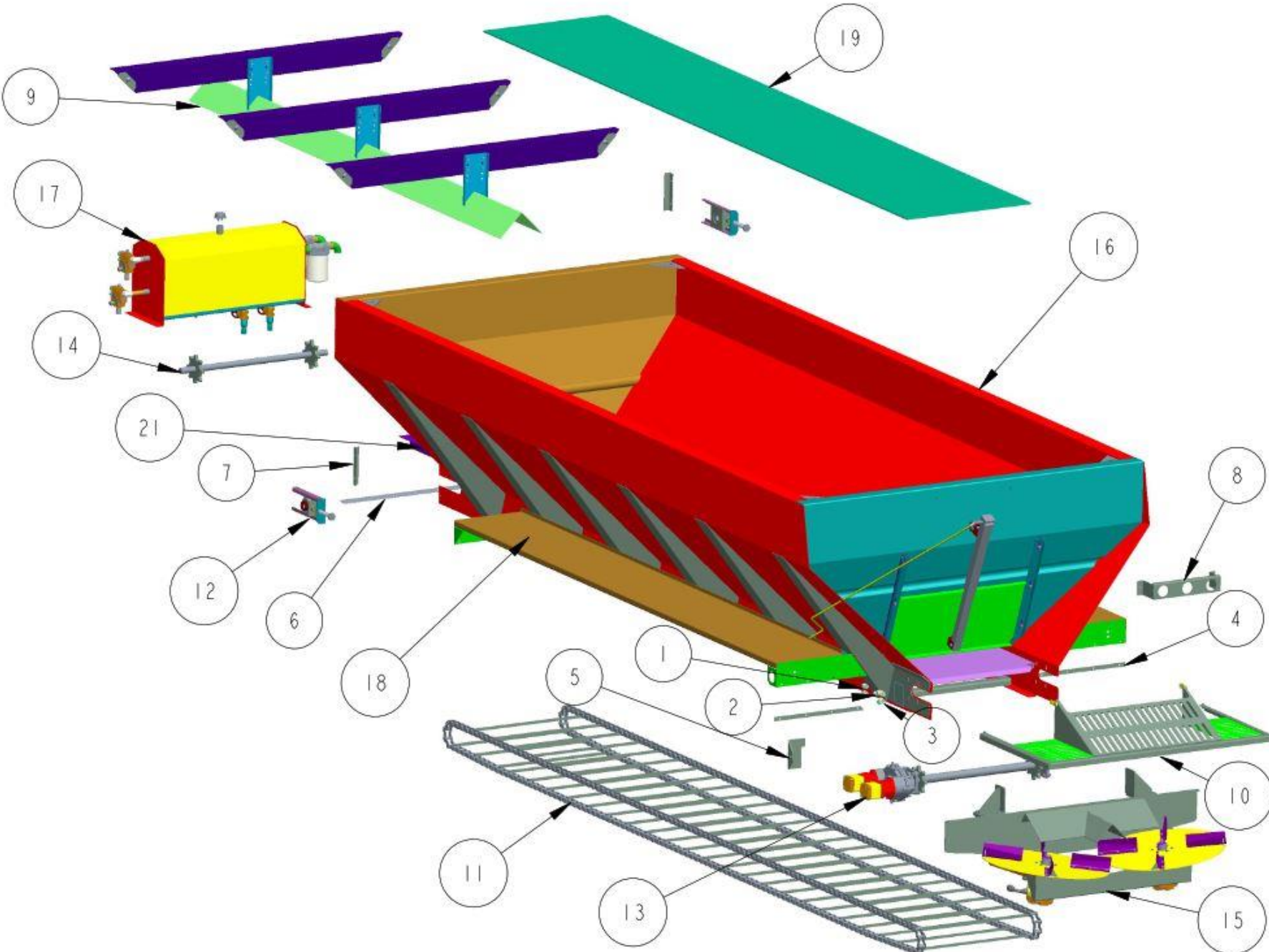


<u>ITEM</u>	<u>QTY.</u>	<u>WARREN PART NO.</u>	<u>DESCRIPTION</u>
1	1	300-32140	LST CHASSIS ASSEMBLY - 18' TANDEM - 48" SPREAD
2	1	300-32282	Series 6 Drive Line 48"
3	8	900-80092	3/4 FLAT WASHER A325 ZN
4	4	900-80098	NUT - STOVER LOCK - 3/4 IN. NC
5	4	900-80100	3/4-10 X 2-1/2 HEX CAP SCREW GR 8 YEL ZN
6	1	300-32182	LS-3420 ASSEMBLY - 18 FT. - 30" SPINNER - FOR LST

2.3.1:LST 18' Dimensions



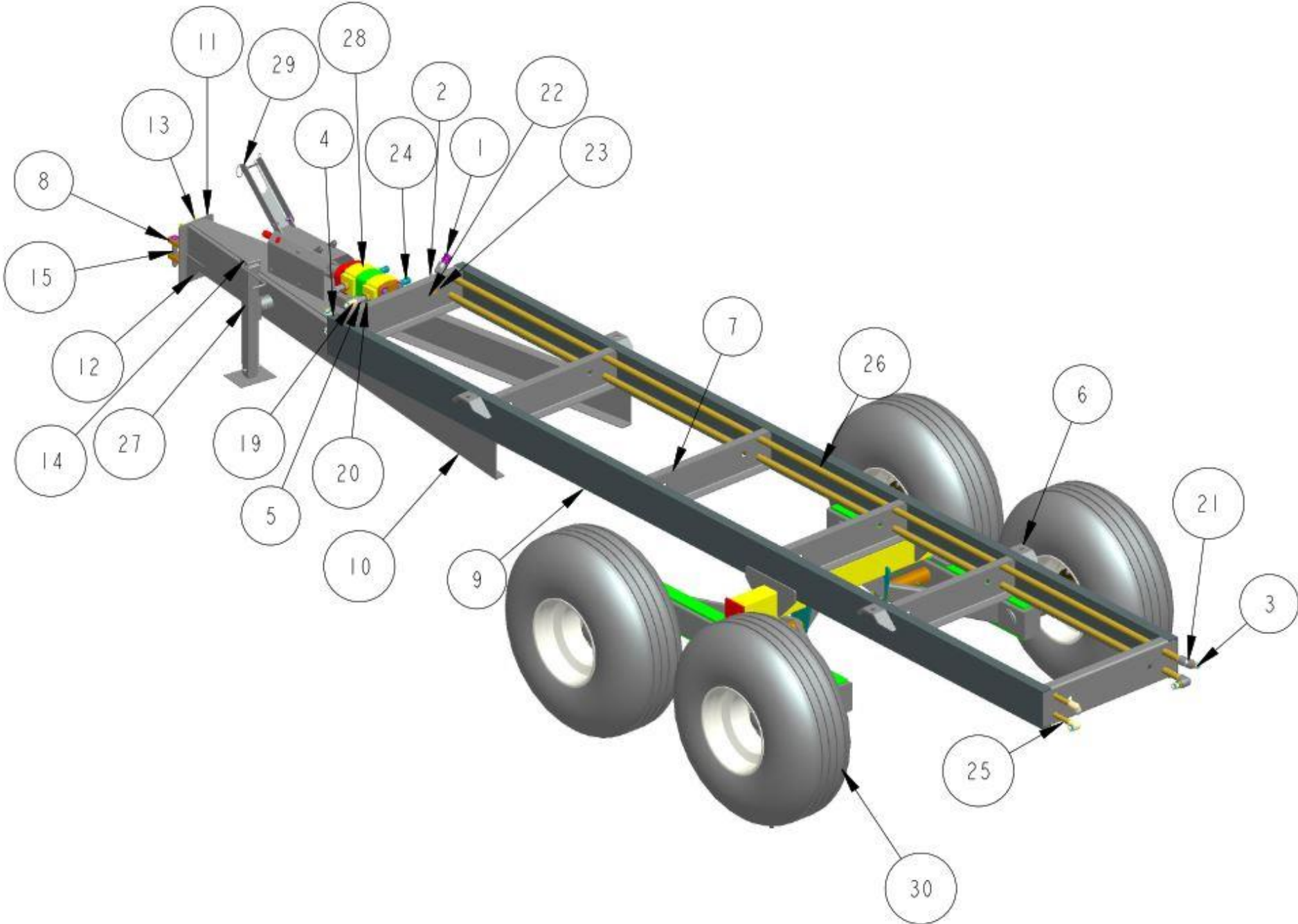
2.3.2:LST 18' Body



2.3.3:LST 18' Body BOM

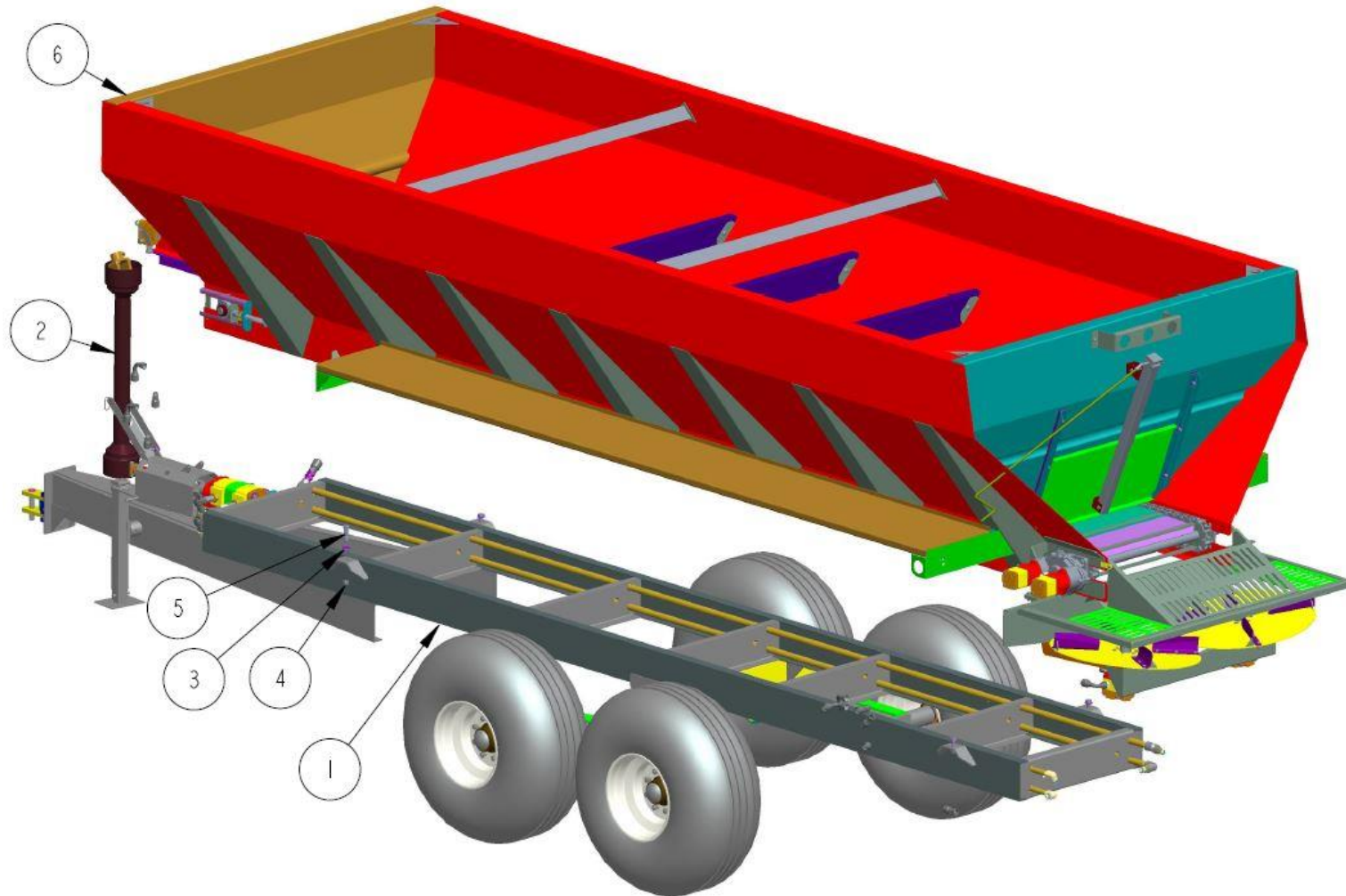
<u>ITEM</u>	<u>QTY.</u>	<u>WARREN PART NO.</u>	<u>DESCRIPTION</u>
1	2	400-80065	ADAPTER-5/8"ORMX3/4"JICM
2	1	400-80073	ELBOW-3/4"JICMX5/8"ORM-90 DEG
3	1	400-80091	ELBOW-5/8"ORMX3/4"JICM-45 DEG
4	1	300-30311	MUDFLAP BACKING STRIP - LS
5	1	300-31839	PLATE - GEARBOX MOUNT - STD MS
6	1	300-31840	FRONT WIPER BACKING STRIP
7	2	300-30426	FRONT SILL STIFFENER - LS - MS
8	4	300-31791	LST MOUNTING BRACKET - BODY
9	1	300-30481	LIGHT BAR ASSEMBLY - 24 WIDE - MS
10	1	300-31862	INVERTED VEE ASSEMBLY - 18 FT
11	1	300-31865	GUARD ASSY - LS - 30" SPINNERS - MS
12	1	300-32194	CHAIN - PINTLE #1 HD 18' - LS3420
13	2	300-30564	TAKE-UP - LS / LST
14	1	300-32159	DRIVE ASSY-34 WIDE-DUAL DRIVE-LS-8T SPROCKETS
15	1	300-32160	IDLER SHAFT & SPROCKETS - 34 WIDE - 8 TOOTH SPROCKETS
16	1	300-32204	FAN ASSEMBLY COMPLETE - LST - MS
17	1	300-32170	LITTER SPREADER SHELL - 18' - 54" SIDE HEIGHT - MS
18	1	300-32214	LST TANK WITH HYDRAULICS INSTALLED - MS
19	1	HMW3/8X33XFOOT	PLASTIC PAN FOR LS - 16 FT
20	1	300-31611	SIGHT PLATE FOR PLEXIGLASS
21	2	300-31615	TANK SUPPORT ANGLE - MS

2.3.4:LST 18' Chassis



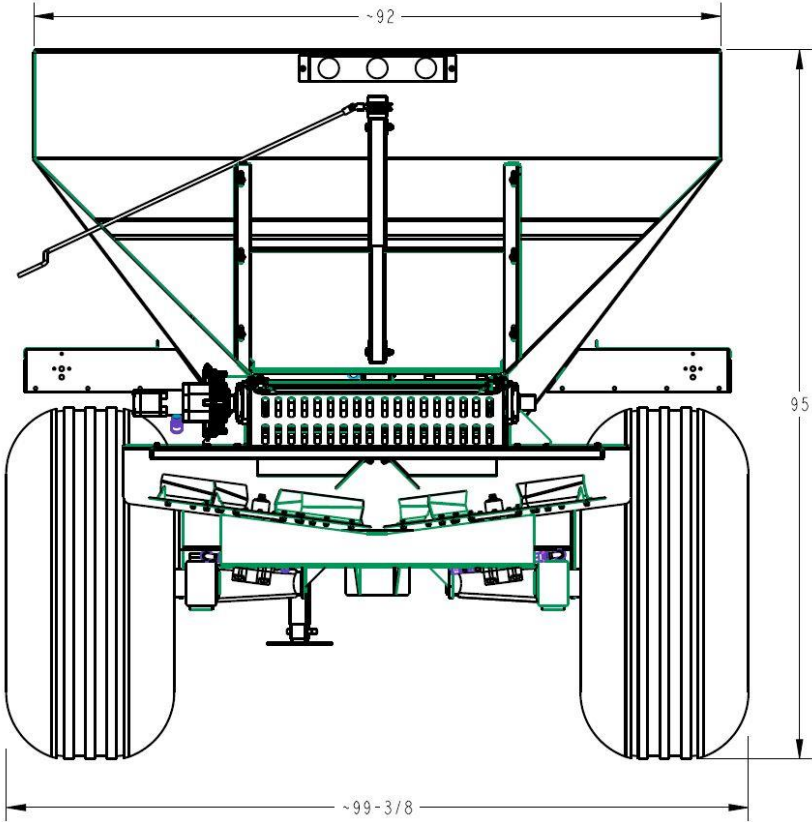
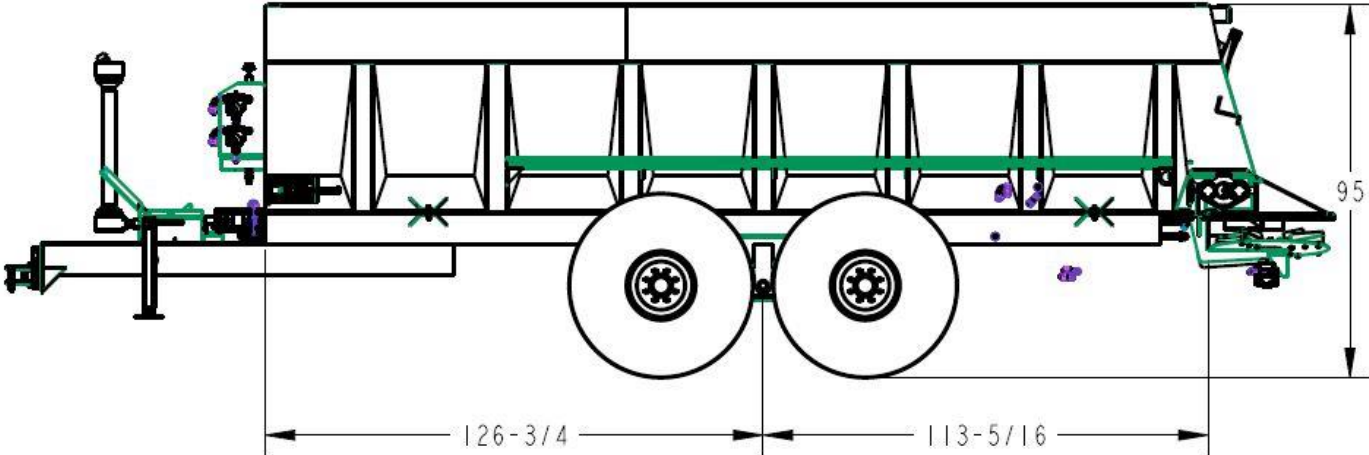
2.3.5:LST 18' Chassis BOM

<u>ITEM</u>	<u>QTY.</u>	<u>WARREN PART NO.</u>	<u>DESCRIPTION</u>
1	1	400-80155	ADAPTER-1"NPTMX1"NPTFM-SW
2	1	400-80220	ELBOW-1"NPTMXNPTFM-90 DEG-SW
3	3	400-80093	ADAPTER-3/4"NPTMX3/4"JICM
4	4	400-80138	ELBOW-3/4"NPTFMX3/4"JICM-90 DEG
5	2	400-80290	ADAPTER-3/4"NPTMX3/4"JICFM-SW
6	4	300-31790	LST MOUNTING BRACKET - TRAILER
7	6	300-31793	CROSSMEBER FOR LST CHASSIS
8	1	300-31357	WALLACE FORGE CLEVIS HITCH
9	2	300-31796	LONGRAIL - FOR LST - 18' SPREADER
10	2	300-31800	TONGUE FRAME - LST - TANDEM
11	1	300-31801	TONGUE END PLATE
12	2	300-31802	TONGUE FRAME BRACE
13	1	300-31803	FRONT HITCH CHANNEL - SPREADER TRAILER
14	1	300-31804	TONGUE SUPPORT PLATE
15	1	300-31805	TRAILER PIN - LST HITCH
16	3	900-80177	5/8-11 NYLON INSERT LOCKNUT ZN
17	6	900-80170	5/8 FLAT WASHER A325 ZN
18	3	900-80187	5/8-11 X 5 HEX CAP SCREW GR 8 YEL ZN
19	1	400-80092	TEE-3/4"JICMX3/4"JICMX3/4"JICFM-SW
20	2	400-80061	BUSHING-1-1/4"X3/4" NPT BP
21	3	400-80143	ELBOW - 1 IN. NPT FORGED
22	3	400-80006	BUSHING-1"NPTMX3/4"NPTFM-BP
23	1	400-80179	TEE-1"NPTFMX1"NPTFMX1"NPTFM-BP
24	2	400-80210	NIPPLE-1-1/4"NPT-KING
25	2	300-31808	HYDRAULIC PIPE - LST - 16 FT - PRESSURE
26	2	300-31809	HYDRAULIC PIPE - LST - 16 FT - RETURN
27	1	200-60051	FEEDGATE JACK
28	1	300-32280	PUMP MOUNT ASSEMBLY FOR TANDEM PUMP - LONG
29	1	300-31820	GUARD ASSEMBLY FOR LST DRIVE LINE
30	1	300-31821	WALKING BEAM ASSEMBLY - 48" SPREAD - 16.5L - LST

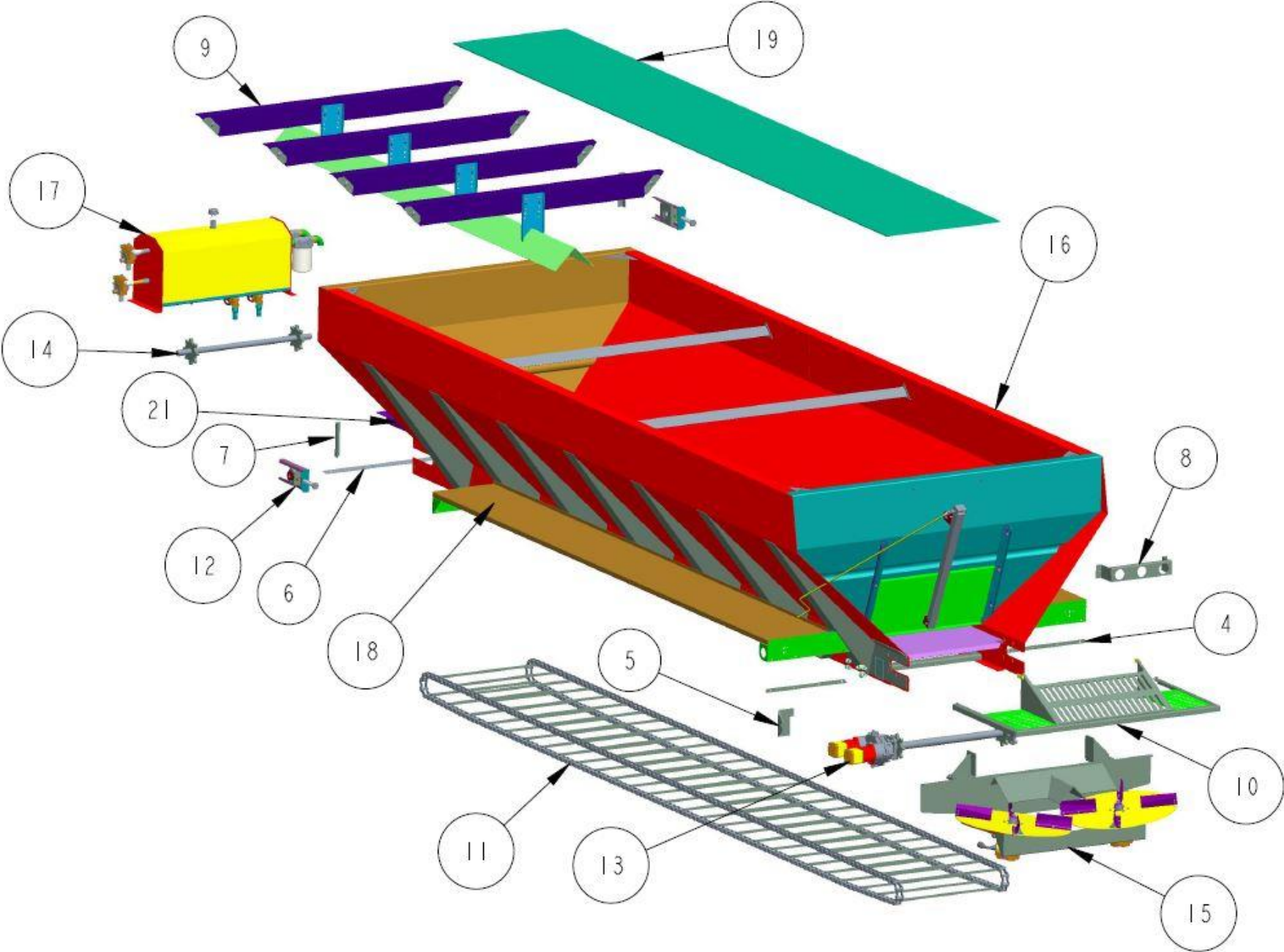


<u>ITEM</u>	<u>QTY.</u>	<u>WARREN PART NO.</u>	<u>DESCRIPTION</u>
1	1	300-32231	LST CHASSIS ASSEMBLY - 20' TANDEM - 52" SPREAD
2	1	300-32282	Series 6 Drive Line 48"
3	8	900-80092	3/4 FLAT WASHER A325 ZN
4	4	900-80098	NUT - STOVER LOCK - 3/4 IN. NC
5	4	900-80100	3/4-10 X 2-1/2 HEX CAP SCREW GR 8 YEL ZN
6	1	300-32183	LS-3420 ASSEMBLY - 20 FT. - 30" SPINNER - FOR LST

2.4.1:LST 20' Dimensions



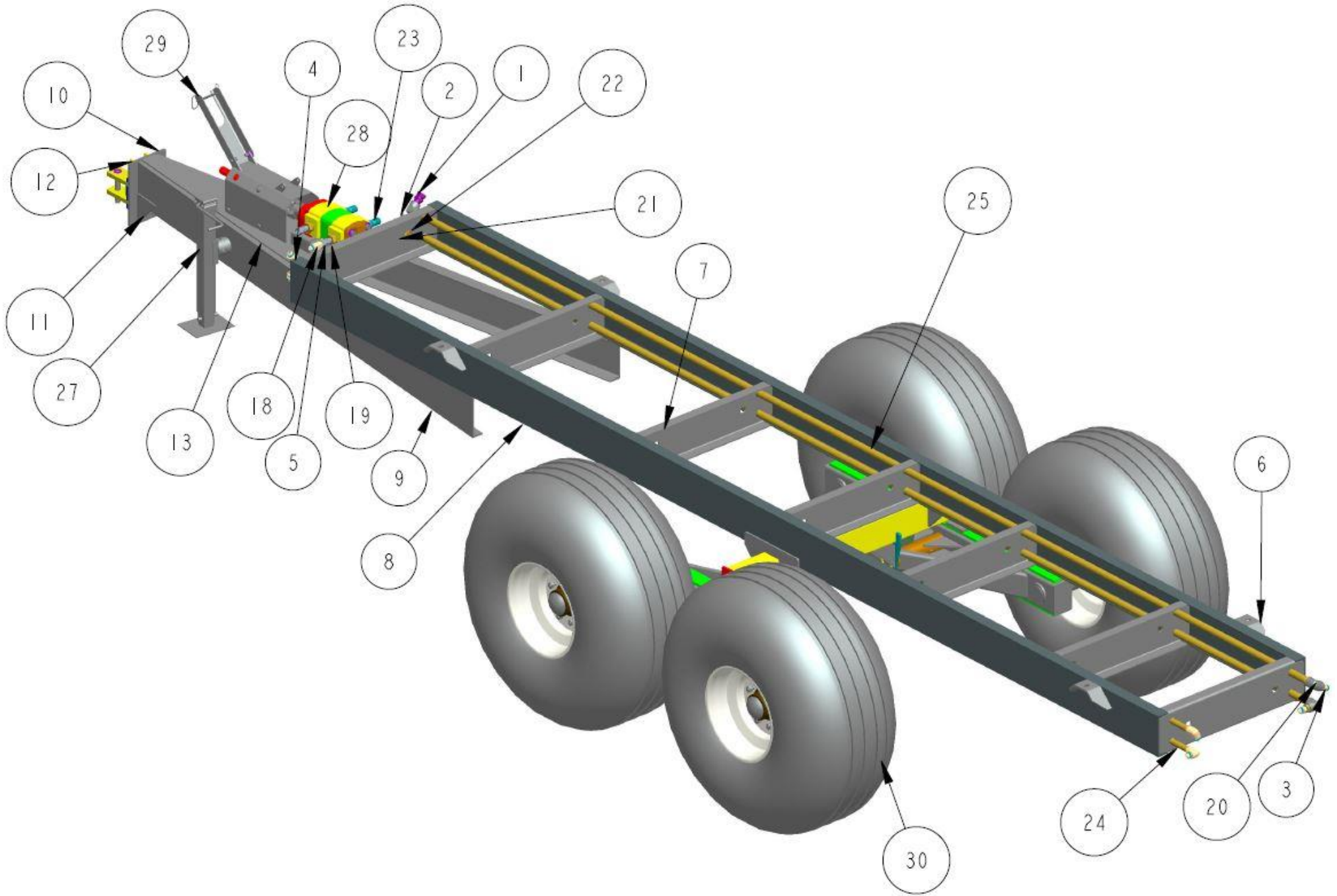
2.4.2:LST 20' Body



2.4.3:LST 20' Body BOM

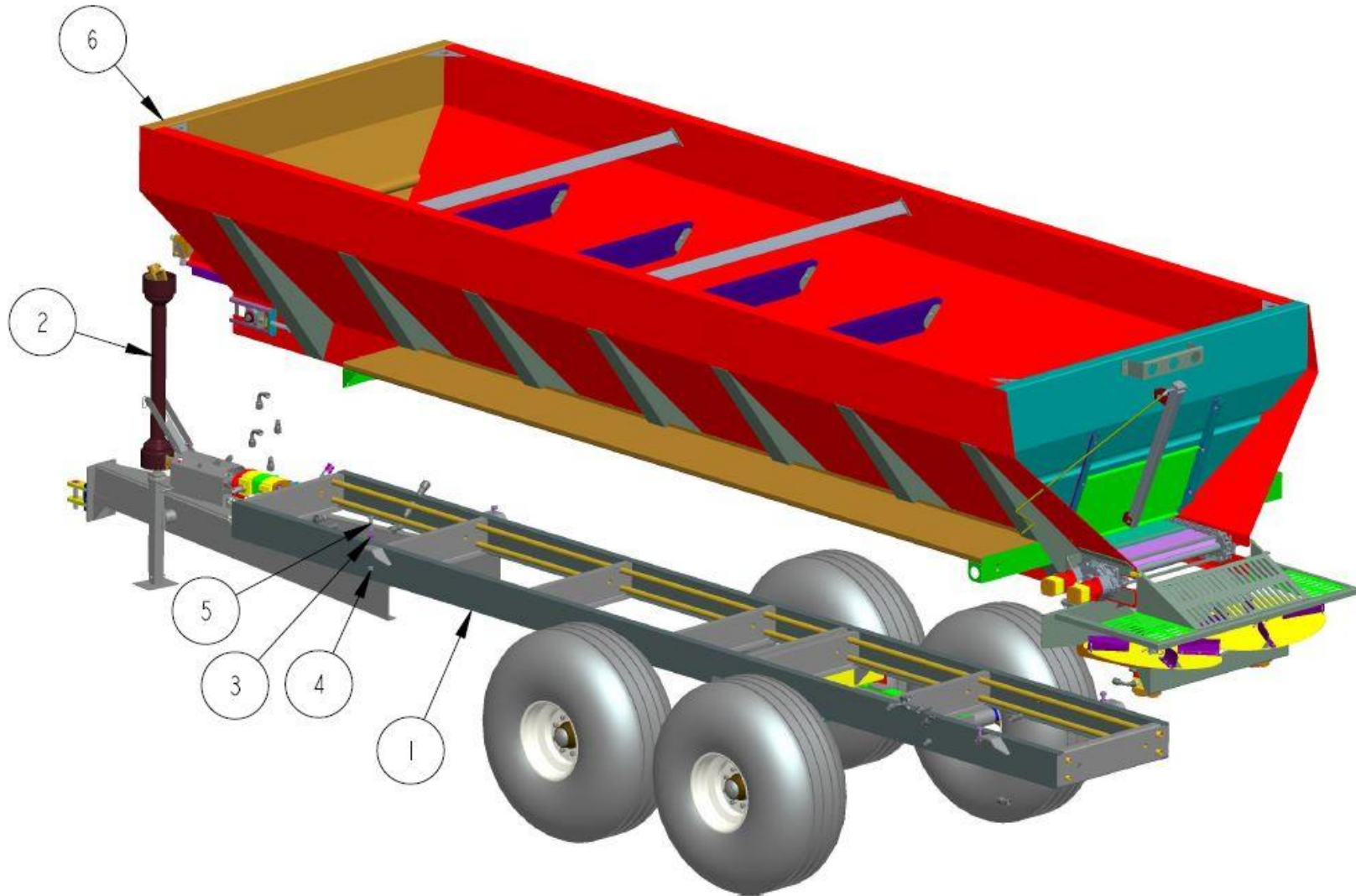
<u>ITEM</u>	<u>QTY.</u>	<u>WARREN PART NO.</u>	<u>DESCRIPTION</u>
1	2	400-80065	ADAPTER-5/8"ORMX3/4"JICM
2	1	400-80073	ELBOW-3/4"JICMX5/8"ORM-90 DEG
3	1	400-80091	ELBOW-5/8"ORMX3/4"JICM-45 DEG
4	1	300-30311	MUDFLAP BACKING STRIP - LS
5	1	300-31839	PLATE - GEARBOX MOUNT - STD MS
6	1	300-31840	FRONT WIPER BACKING STRIP
7	2	300-30426	FRONT SILL STIFFENER - LS - MS
8	4	300-31791	LST MOUNTING BRACKET - BODY
9	1	300-30481	LIGHT BAR ASSEMBLY - 24 WIDE - MS
10	1	300-32353	INVERTED VEE ASSEMBLY - 20 FT
11	1	300-31865	GUARD ASSY - LS - 30" SPINNERS - MS
12	1	300-32195	CHAIN - PINTLE #1 HD 20' - LS3420
13	2	300-30564	TAKE-UP - LS / LST
14	1	300-32159	DRIVE ASSY-34 WIDE-DUAL DRIVE-LS-8T SPROCKETS
15	1	300-32160	IDLER SHAFT & SPROCKETS - 34 WIDE - 8 TOOTH SPROCKETS
16	1	300-32204	FAN ASSEMBLY COMPLETE - LST - MS
17	1	300-32171	LITTER SPREADER SHELL - 20' - 54" SIDE HEIGHT - MS
18	1	300-32214	LST TANK WITH HYDRAULICS INSTALLED - MS
19	1	HMW3/8X33XFOOT	PLASTIC PAN FOR LS - 20 FT
20	1	300-31611	SIGHT PLATE FOR PLEXIGLASS
21	2	300-31615	TANK SUPPORT ANGLE - MS

2.4.4:LST 20' Chassis



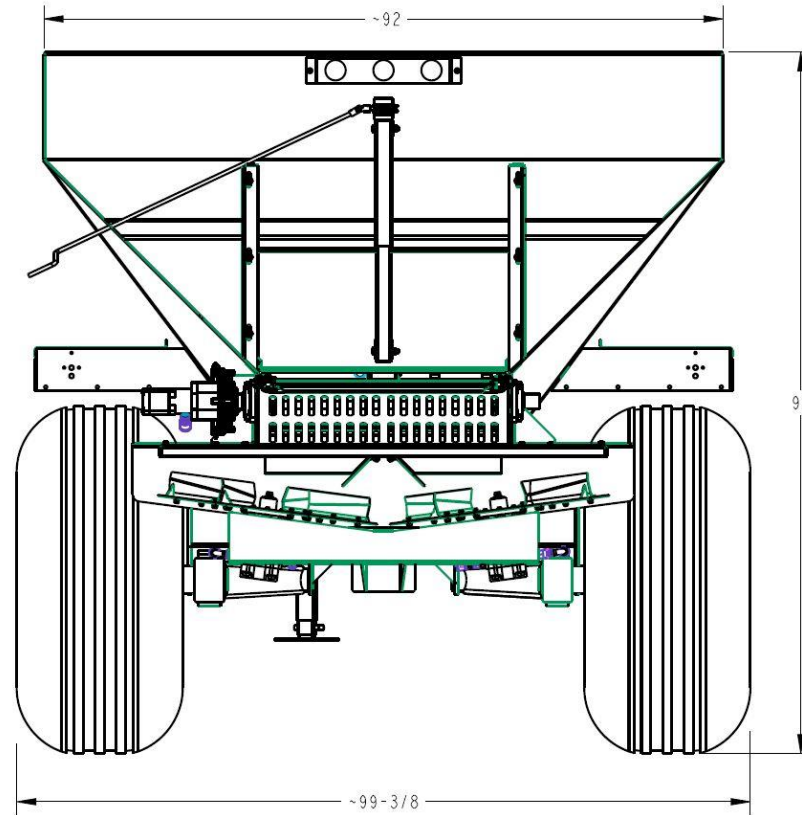
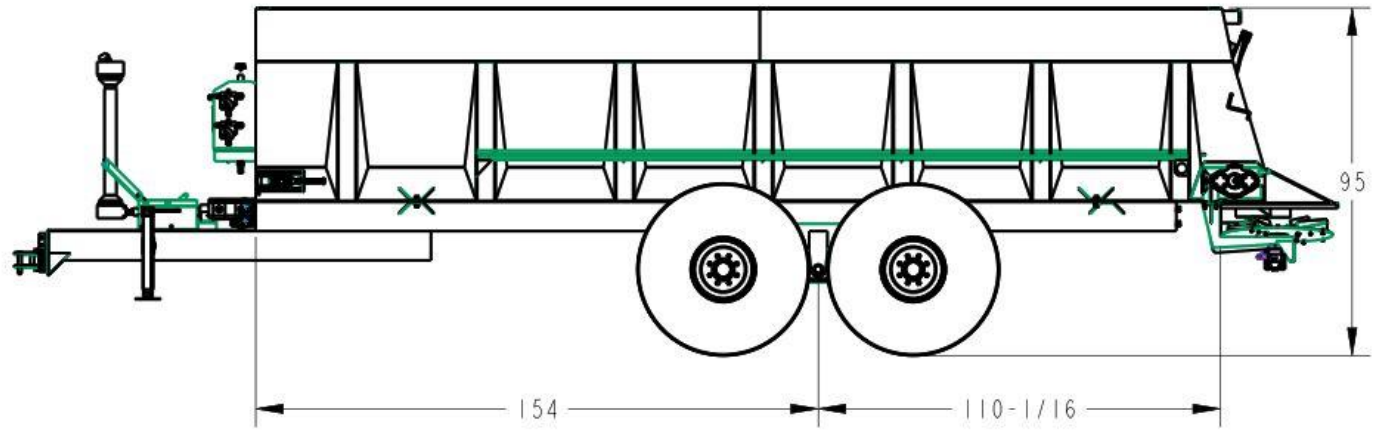
2.4.5:LST Chassis BOM

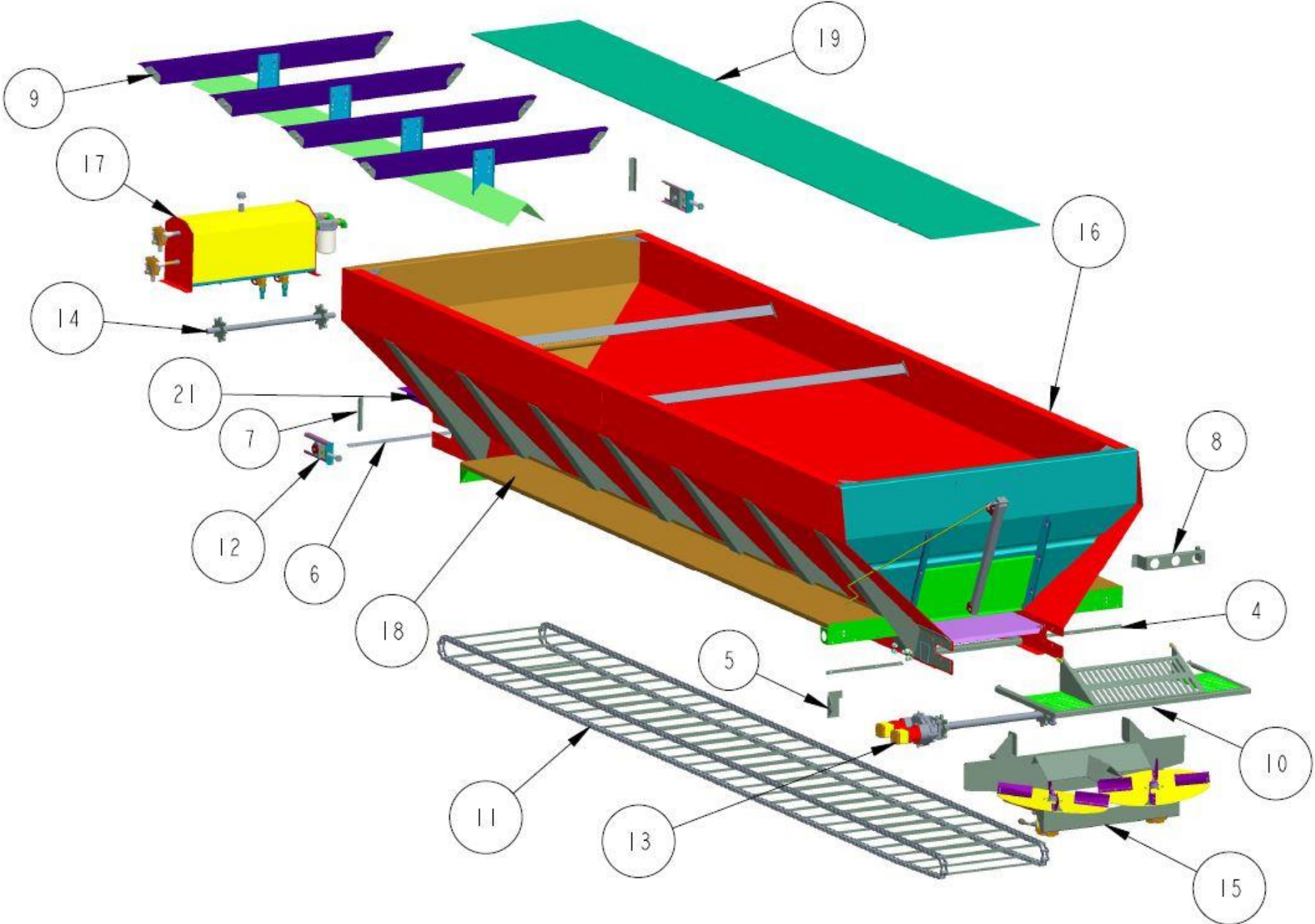
<u>ITEM</u>	<u>QTY.</u>	<u>WARREN PART NO.</u>	<u>DESCRIPTION</u>
1	1	400-80155	ADAPTER-1"NPTMX1"NPTFM-SW
2	1	400-80220	ELBOW-1"NPTMXNPTFM-90 DEG-SW
3	3	400-80093	ADAPTER-3/4"NPTMX3/4"JICM
4	4	400-80138	ELBOW-3/4"NPTFMX3/4"JICM-90 DEG
5	2	400-80290	ADAPTER-3/4"NPTMX3/4"JICFM-SW
6	4	300-31790	LST MOUNTING BRACKET - TRAILER
7	7	300-31793	CROSSMEBER FOR LST CHASSIS
8	2	300-31797	LONGRAIL - FOR LST - 20' SPREADER
9	2	300-31800	TONGUE FRAME - LST - TANDEM
10	1	300-31801	TONGUE END PLATE
11	2	300-31802	TONGUE FRAME BRACE
12	1	300-31803	FRONT HITCH CHANNEL - SPREADER TRAILER
13	1	300-31804	TONGUE SUPPORT PLATE
14	1	300-31805	TRAILER PIN - LST HITCH
15	3	900-80177	5/8-11 NYLON INSERT LOCKNUT ZN
16	6	900-80170	5/8 FLAT WASHER A325 ZN
17	3	900-80187	5/8-11 X 5 HEX CAP SCREW GR 8 YEL ZN
18	1	400-80092	TEE-3/4"JICMX3/4"JICMX3/4"JICFM-SW
19	2	400-80061	BUSHING-1-1/4"X3/4" NPT BP
20	3	400-80143	ELBOW - 1 IN. NPT FORGED
21	3	400-80006	BUSHING-1"NPTMX3/4"NPTFM-BP
22	1	400-80179	TEE-1"NPTFMX1"NPTFMX1"NPTFM-BP
23	2	400-80210	NIPPLE-1-1/4"NPT-KING
24	2	300-31812	HYDRAULIC PIPE - LST - 20 FT - PRESSURE
25	2	300-31813	HYDRAULIC PIPE - LST - 20 FT - RETURN
26	1	TBD	HITCH - LST
27	1	200-60051	FEEDGATE JACK
28	1	300-32280	PUMP MOUNT ASSEMBLY FOR TANDEM PUMP - LONG
29	1	300-31820	GUARD ASSEMBLY FOR LST DRIVE LINE
30	1	300-32263	WALKING BEAM ASSEMBLY - 52" SPREAD - 21.5L - LST



<u>ITEM</u>	<u>QTY.</u>	<u>WARREN PART NO.</u>	<u>DESCRIPTION</u>
1	1	300-32232	LST CHASSIS ASSEMBLY - 22' TANDEM - 52" SPREAD
2	1	300-32282	Series 6 Drive Line 48"
3	8	900-80092	3/4 FLAT WASHER A325 ZN
4	4	900-80098	NUT - STOVER LOCK - 3/4 IN. NC
5	4	900-80100	3/4-10 X 2-1/2 HEX CAP SCREW GR 8 YEL ZN
6	1	300-32184	LS-3420 ASSEMBLY - 22 FT. - 30" SPINNER - FOR LST

2.5.1:LST 22' Dimensions

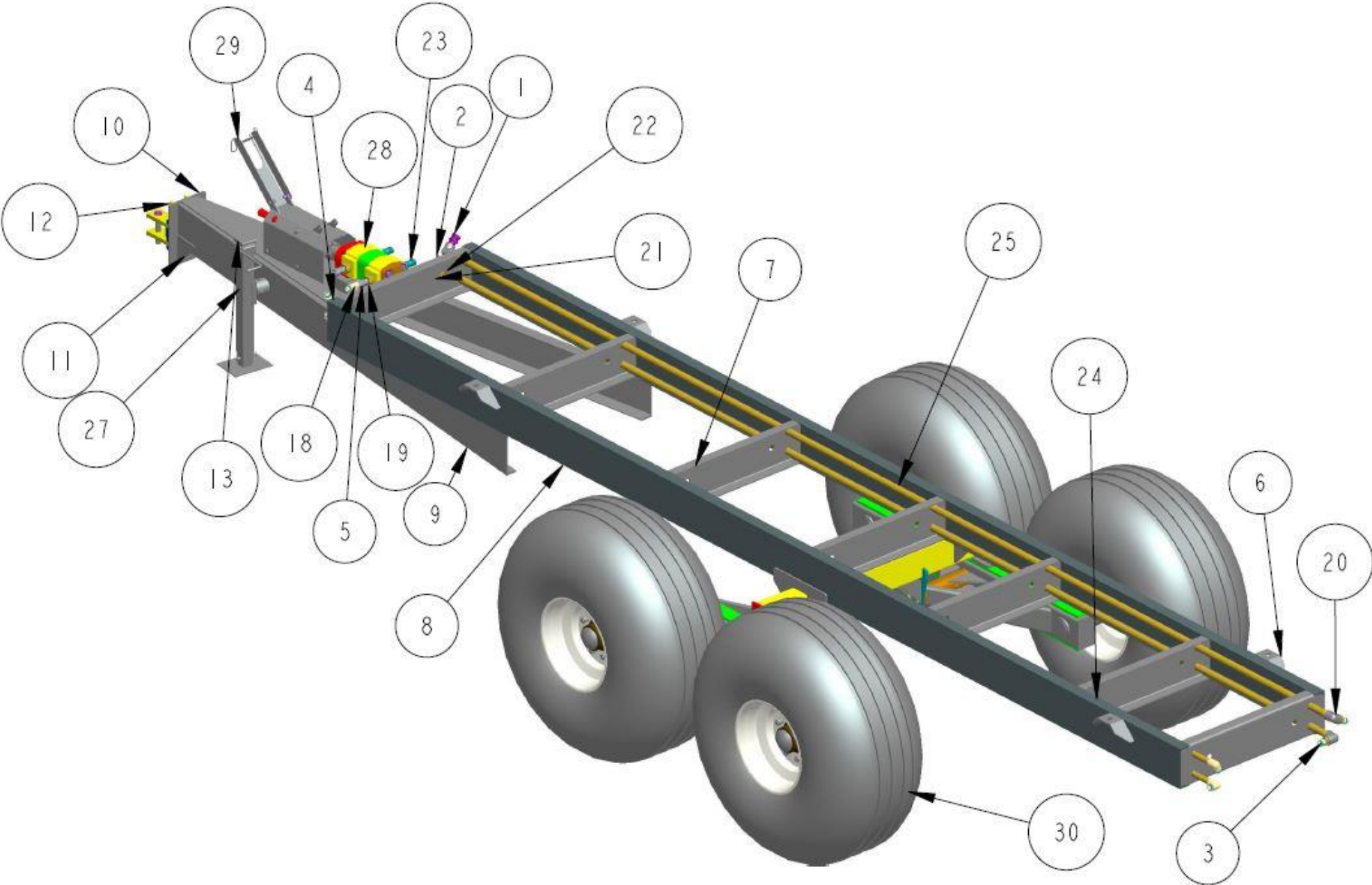




2.5.3:LST 22' Body BOM

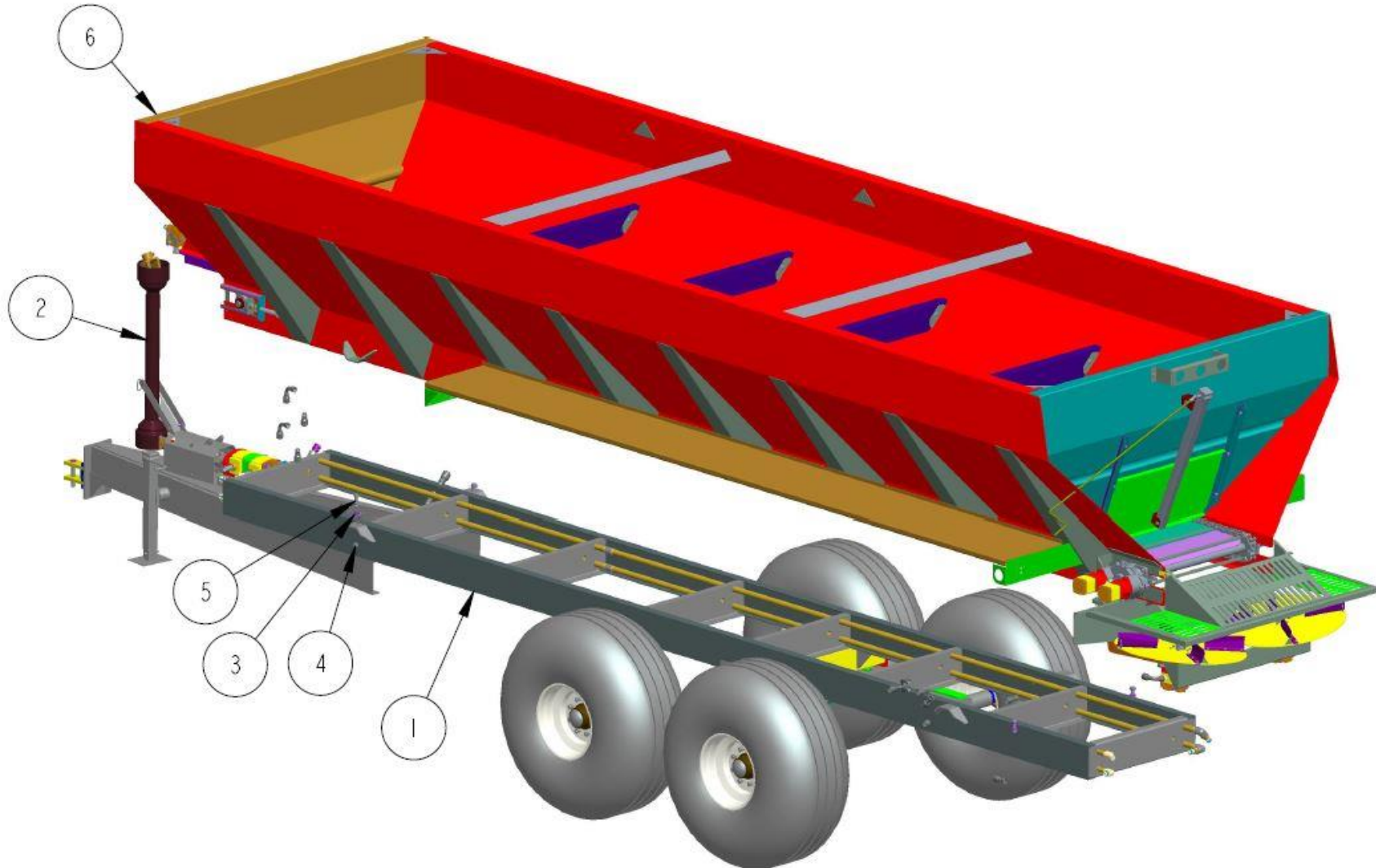
<u>ITEM</u>	<u>QTY.</u>	<u>WARREN PART NO.</u>	<u>DESCRIPTION</u>
1	2	400-80065	ADAPTER-5/8"ORMX3/4"JICM
2	1	400-80073	ELBOW-3/4"JICMX5/8"ORM-90 DEG
3	1	400-80091	ELBOW-5/8"ORMX3/4"JICM-45 DEG
4	1	300-30311	MUDFLAP BACKING STRIP - LS
5	1	300-31839	PLATE - GEARBOX MOUNT - STD MS
6	1	300-31840	FRONT WIPER BACKING STRIP
7	2	300-30426	FRONT SILL STIFFENER - LS - MS
8	4	300-31791	LST MOUNTING BRACKET - BODY
9	1	300-30481	LIGHT BAR ASSEMBLY - 24 WIDE - MS
10	1	300-32354	INVERTED VEE ASSEMBLY - 22 FT
11	1	300-31865	GUARD ASSY - LS - 30" SPINNERS - MS
12	1	300-32196	CHAIN - PINTLE #1 HD 22' - LS3420
13	2	300-30564	TAKE-UP - LS / LST
14	1	300-32159	DRIVE ASSY-34 WIDE-DUAL DRIVE-LS-8T SPROCKETS
15	1	300-32160	IDLER SHAFT & SPROCKETS - 34 WIDE - 8 TOOTH SPROCKETS
16	1	300-32204	FAN ASSEMBLY COMPLETE - LST - MS
17	1	300-32172	LITTER SPREADER SHELL - 22' - 54" SIDE HEIGHT - MS
18	1	300-32214	LST TANK WITH HYDRAULICS INSTALLED - MS
19	1	HMW3/8X33XFOOT	PLASTIC PAN FOR LS - 22 FT
20	1	300-31611	SIGHT PLATE FOR PLEXIGLASS
21	2	300-31615	TANK SUPPORT ANGLE - MS

2.5.4:LST 22' Chassis



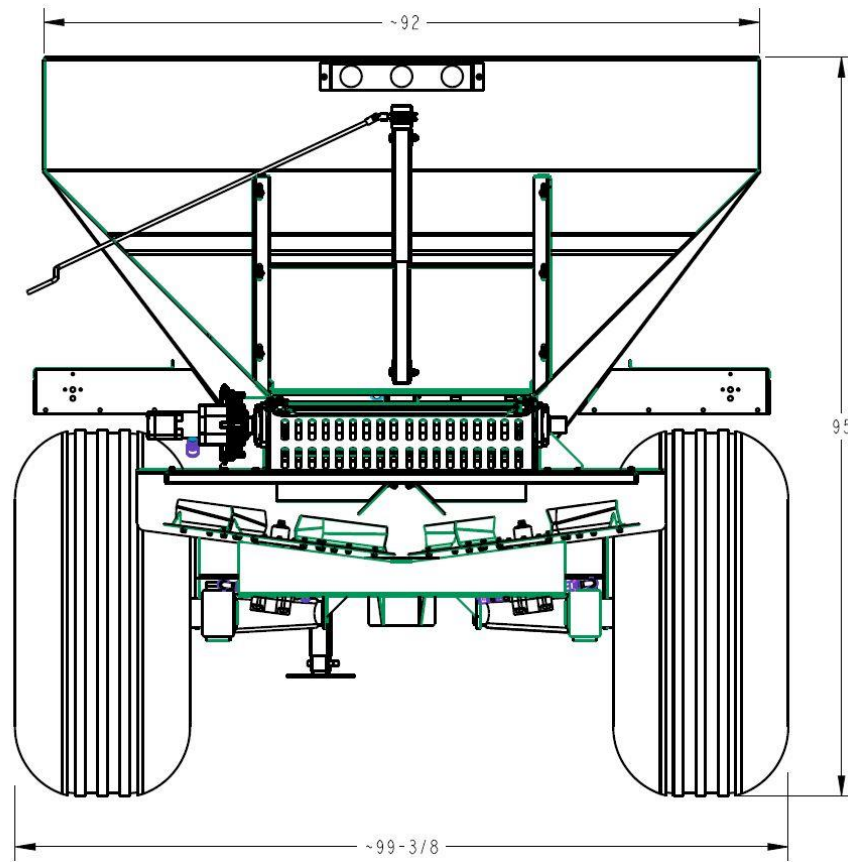
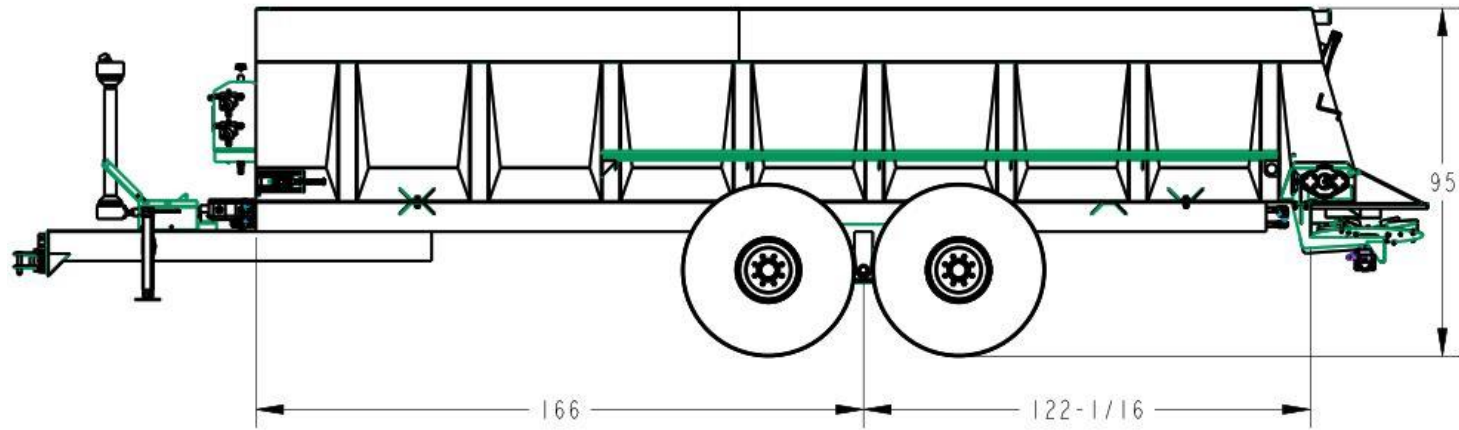
2.5.5:LST 22' Chassis BOM

<u>ITEM</u>	<u>QTY.</u>	<u>WARREN PART NO.</u>	<u>DESCRIPTION</u>
1	1	400-80155	ADAPTER-1"NPTMX1"NPTFM-SW
2	1	400-80220	ELBOW-1"NPTMXNPTFM-90 DEG-SW
3	1	400-80093	ADAPTER-3/4"NPTMX3/4"JICM
4	2	400-80138	ELBOW-3/4"NPTFMX3/4"JICM-90 DEG
5	2	400-80290	ADAPTER-3/4"NPTMX3/4"JICFM-SW
6	4	300-31790	LST MOUNTING BRACKET - TRAILER
7	8	300-31793	CROSSMEBER FOR LST CHASSIS
8	2	300-31798	LONGRAIL - FOR LST - 22' SPREADER
9	2	300-31800	TONGUE FRAME - LST - TANDEM
10	1	300-31801	TONGUE END PLATE
11	2	300-31802	TONGUE FRAME BRACE
12	1	300-31803	FRONT HITCH CHANNEL - SPREADER TRAILER
13	1	300-31804	TONGUE SUPPORT PLATE
14	1	300-31805	TRAILER PIN - LST HITCH
15	3	900-80177	5/8-11 NYLON INSERT LOCKNUT ZN
16	6	900-80170	5/8 FLAT WASHER A325 ZN
17	3	900-80187	5/8-11 X 5 HEX CAP SCREW GR 8 YEL ZN
18	1	400-80092	TEE-3/4"JICMX3/4"JICMX3/4"JICFM-SW
19	2	400-80061	BUSHING-1-1/4"X3/4" NPT BP
20	1	400-80143	ELBOW - 1 IN. NPT FORGED
21	1	400-80006	BUSHING-1"NPTMX3/4"NPTFM-BP
22	1	400-80179	TEE-1"NPTFMX1"NPTFMX1"NPTFM-BP
23	2	400-80210	NIPPLE-1-1/4"NPT-KING
24	2		HYDRAULIC PIPE - LST - 22 FT - PRESSURE
25	2		HYDRAULIC PIPE - LST - 22 FT - RETURN
26	1		HITCH - LST
27	1	200-60051	FEEDGATE JACK
28	1	300-32280	PUMP MOUNT ASSEMBLY FOR TANDEM PUMP - LONG
29	1	300-31820	GUARD ASSEMBLY FOR LST DRIVE LINE
30	1	300-32263	WALKING BEAM ASSEMBLY - 52" SPREAD - 21.5L - LST

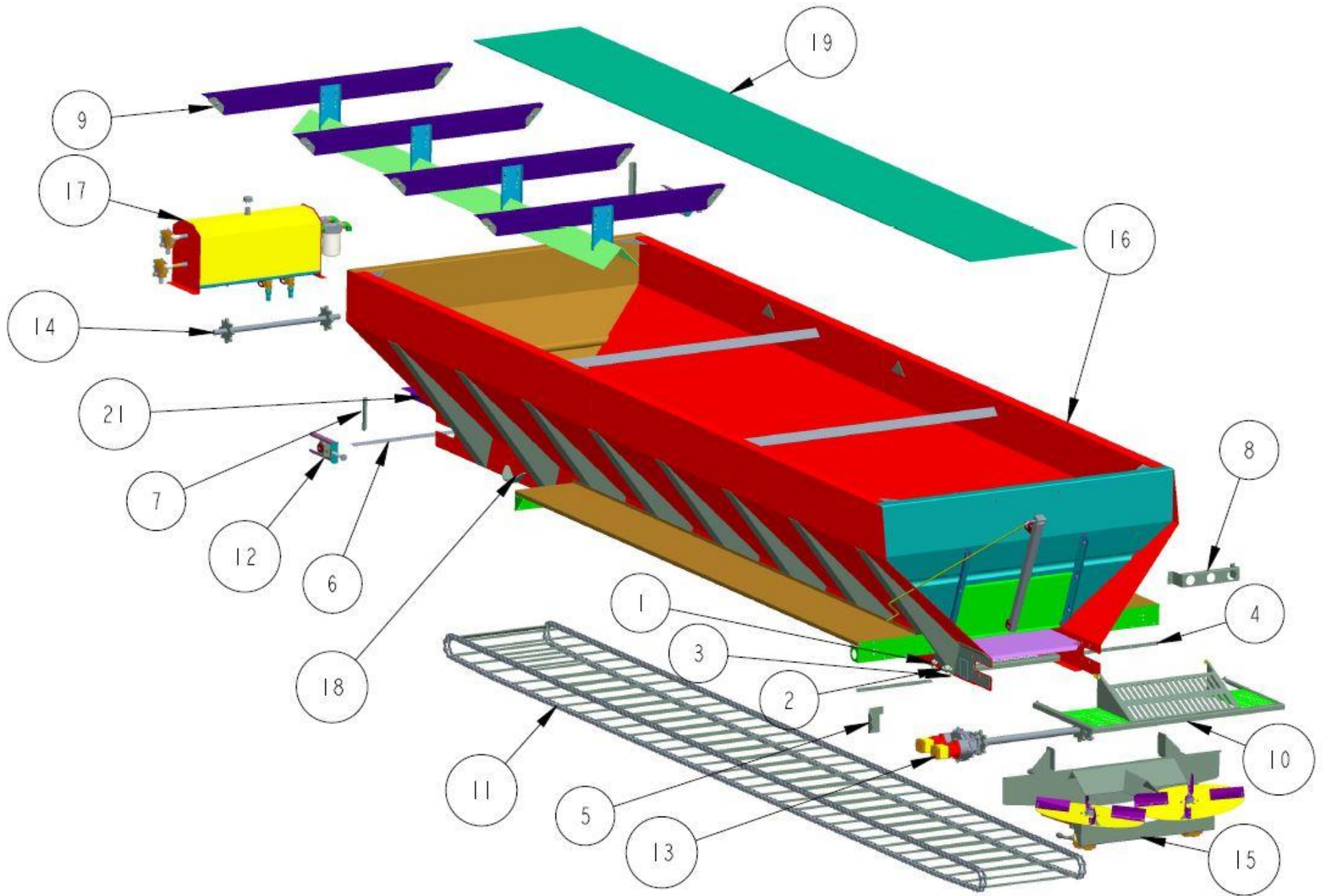


<u>ITEM</u>	<u>QTY.</u>	<u>WARREN PART NO.</u>	<u>DESCRIPTION</u>
1	1	300-32233	LST CHASSIS ASSEMBLY - 24' TANDEM - 52" SPREAD
2	1	300-32282	Series 6 Drive Line 48"
3	8	900-80092	3/4 FLAT WASHER A325 ZN
4	4	900-80098	NUT - STOVER LOCK - 3/4 IN. NC
5	4	900-80100	3/4-10 X 2-1/2 HEX CAP SCREW GR 8 YEL ZN
6	1	300-32185	LS-3420 ASSEMBLY - 24 FT. - 30" SPINNER - FOR LST

2.6.1:LST 24' Dimensions



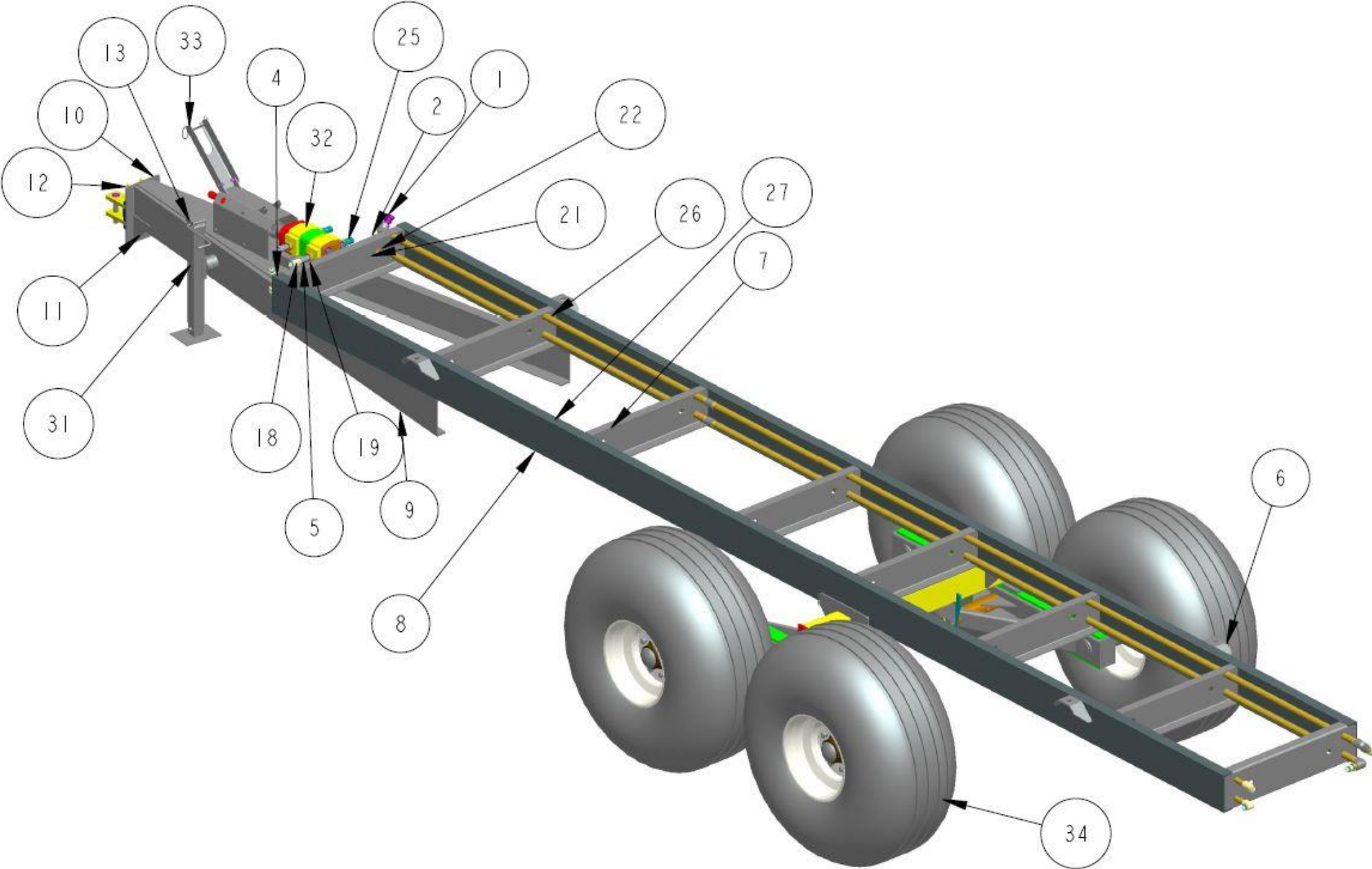
2.6.2:LST 24' Body



2.6.3:LST 24' Body BOM

<u>ITEM</u>	<u>QTY.</u>	<u>WARREN PART NO.</u>	<u>DESCRIPTION</u>
1	2	400-80065	ADAPTER-5/8"ORMX3/4"JICM
2	1	400-80073	ELBOW-3/4"JICMX5/8"ORM-90 DEG
3	1	400-80091	ELBOW-5/8"ORMX3/4"JICM-45 DEG
4	1	300-30311	MUDFLAP BACKING STRIP - LS
5	1	300-31839	PLATE - GEARBOX MOUNT - STD MS
6	1	300-31840	FRONT WIPER BACKING STRIP
7	2	300-30426	FRONT SILL STIFFENER - LS - MS
8	4	300-31791	LST MOUNTING BRACKET - BODY
9	1	300-30481	LIGHT BAR ASSEMBLY - 24 WIDE - MS
10	1	300-32355	INVERTED VEE ASSEMBLY - 24 FT
11	1	300-31865	GUARD ASSY - LS - 30" SPINNERS - MS
12	1	300-32197	CHAIN - PINTLE #1 HD 24' - LS3420
13	2	300-30564	TAKE-UP - LS / LST
14	1	300-32159	DRIVE ASSY-34 WIDE-DUAL DRIVE-LS-8T SPROCKETS
15	1	300-32160	IDLER SHAFT & SPROCKETS - 34 WIDE - 8 TOOTH SPROCKETS
16	1	300-32204	FAN ASSEMBLY COMPLETE - LST - MS
17	1	300-32173	LITTER SPREADER SHELL - 24' - 54" SIDE HEIGHT - MS
18	1	300-32214	LST TANK WITH HYDRAULICS INSTALLED - MS
19	1	HMW3/8X33XFOOT	PLASTIC PAN FOR LS - 24 FT
20	1	300-31611	SIGHT PLATE FOR PLEXIGLASS
21	2	300-31615	TANK SUPPORT ANGLE - MS

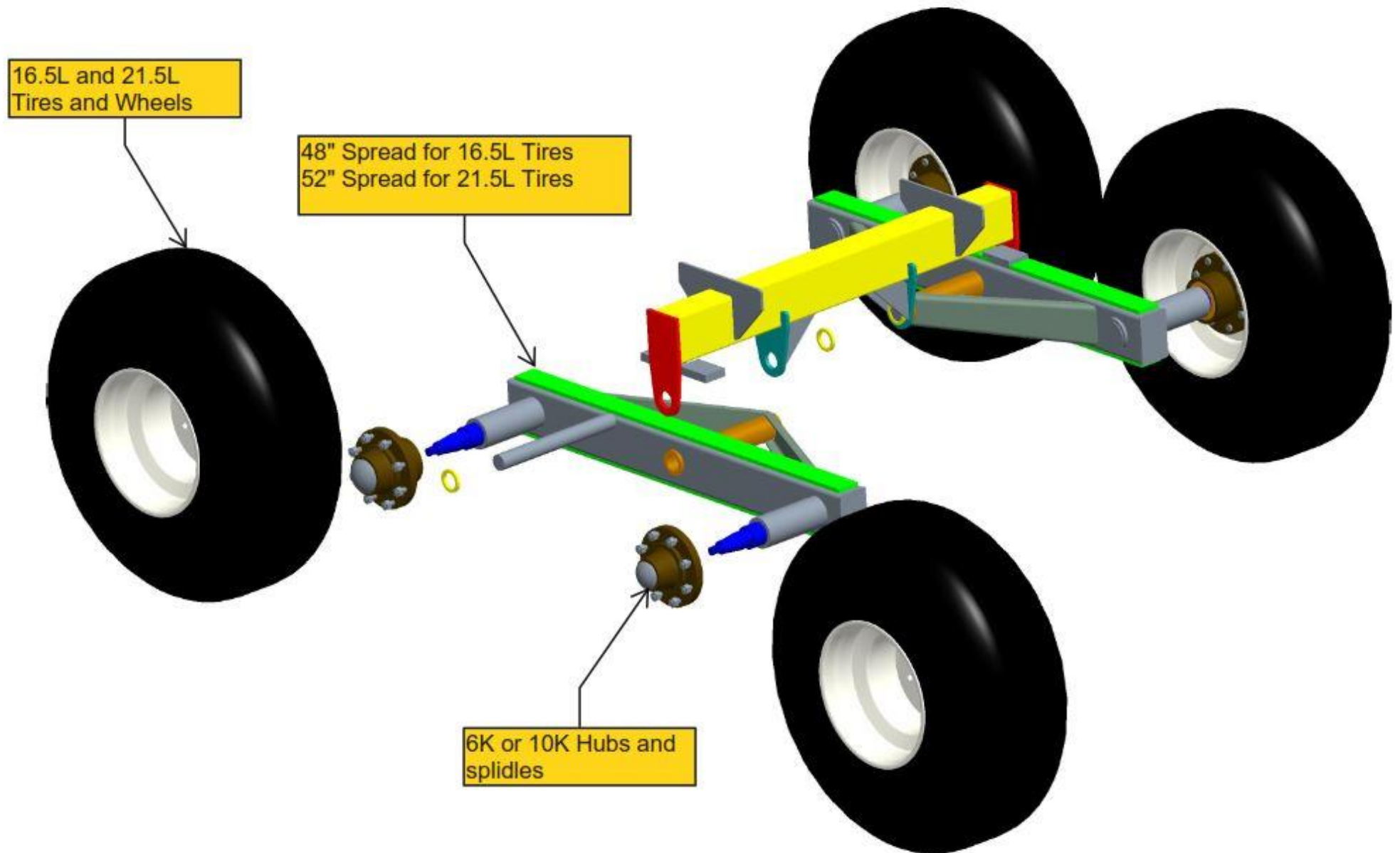
2.6.4:LST 24' Chassis

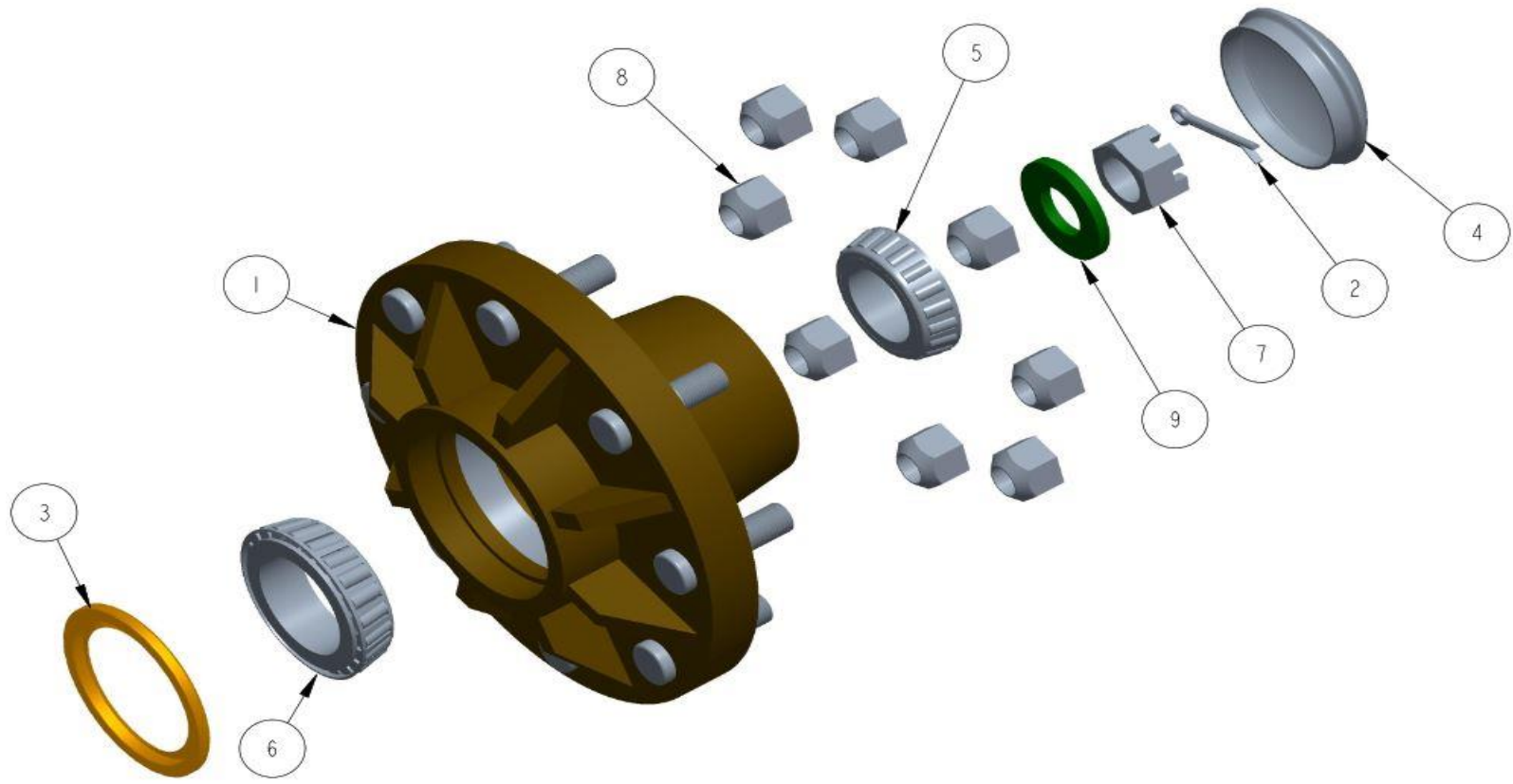


2.6.5:LST 22' Chassis BOM

ITEM	QTY.	WARREN PART NO.	DESCRIPTION
1	1	400-80155	ADAPTER-1"NPTMX1"NPTFM-SW
2	1	400-80220	ELBOW-1"NPTMXNPTFM-90 DEG-SW
3	3	400-80093	ADAPTER-3/4"NPTMX3/4"JICM
4	4	400-80138	ELBOW-3/4"NPTFMX3/4"JICM-90 DEG
5	2	400-80290	ADAPTER-3/4"NPTMX3/4"JICFM-SW
6	4	300-31790	LST MOUNTING BRACKET - TRAILER
7	8	300-31793	CROSSMEBER FOR LST CHASSIS
8	2	300-31799	LONGRAIL - FOR LST - 24' SPREADER
9	2	300-31800	TONGUE FRAME - LST - TANDEM
10	1	300-31801	TONGUE END PLATE
11	2	300-31802	TONGUE FRAME BRACE
12	1	300-31803	FRONT HITCH CHANNEL - SPREADER TRAILER
13	1	300-31804	TONGUE SUPPORT PLATE
14	1	300-31805	TRAILER PIN - LST HITCH
15	3	900-80177	5/8-11 NYLON INSERT LOCKNUT ZN
16	6	900-80170	5/8 FLAT WASHER A325 ZN
17	3	900-80187	5/8-11 X 5 HEX CAP SCREW GR 8 YEL ZN
18	1	400-80092	TEE-3/4"JICMX3/4"JICMX3/4"JICFM-SW
19	2	400-80061	BUSHING-1-1/4"X3/4" NPT BP
20	3	400-80143	ELBOW - 1 IN. NPT FORGED
21	3	400-80006	BUSHING-1"NPTMX3/4"NPTFM-BP
22	1	400-80179	TEE-1"NPTFMX1"NPTFMX1"NPTFM-BP
23	2	400-80183	COUPLING - 3/4 IN. BP
24	2	400-80184	COUPLING - 1 IN. BP
25	2	400-80210	NIPPLE-1-1/4"NPT-KING
26	2	300-31809	HYDRAULIC PIPE - LS - 16 FT - CONVEYOR RETURN
27	2	300-31808	HYDRAULIC PIPE - LS - 16 FT - SPINNER PRESSURE
28	2	300-31808	HYDRAULIC PIPE - LST - 16 FT - PRESSURE
29	2	300-31809	HYDRAULIC PIPE - LST - 16 FT - RETURN
30	1		HITCH - LST
31	1	200-60051	FEEDGATE JACK
32	1	300-32280	PUMP MOUNT ASSEMBLY FOR TANDEM PUMP - LONG
33	1	300-31820	GUARD ASSEMBLY FOR LST DRIVE LINE
34	1	300-32263	WALKING BEAM ASSEMBLY - 52" SPREAD - 21.5L - LST

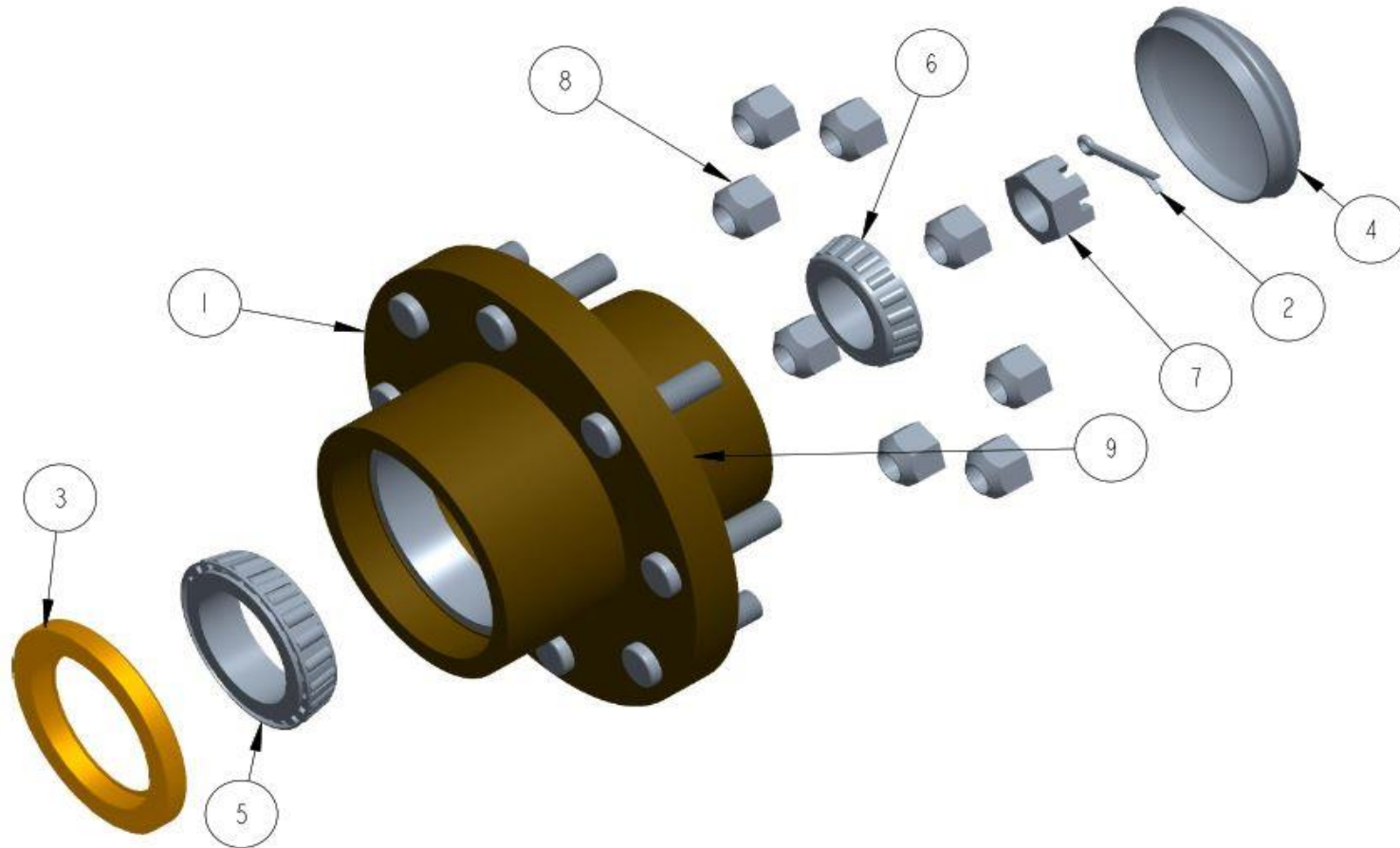
2.7:LST Suspension





300-30986 HUB ASSEMBLY - 6,000 LB CAPACITY

ITEM	QTY.	WARREN PART NO.	DESCRIPTION
1	1	TBD	HUB ASSEMBLY - 6,000 LB - WITH INNER RACE, STUDS AND NUTS
2	1	TBD	PIN FOR G281315 AND G281918
3	1	TBD	INNER SEAL - 6,000 LB HUB - FOR G281080
4	1	TBD	HUB CAP FOR 6,000 LB HUB
5	1	TBD	OUTER BEARING FOR G281080 HUB
6	1	TBD	BEARING - INNER FOR G281080
7	1	TBD	SPINDLE NUT FOR G281315
8	8	TBD	STUD FOR 6,000 LB AND 10,000 LG HUBS
9	1	TBD	SPINDLE WASHER FOR G281315



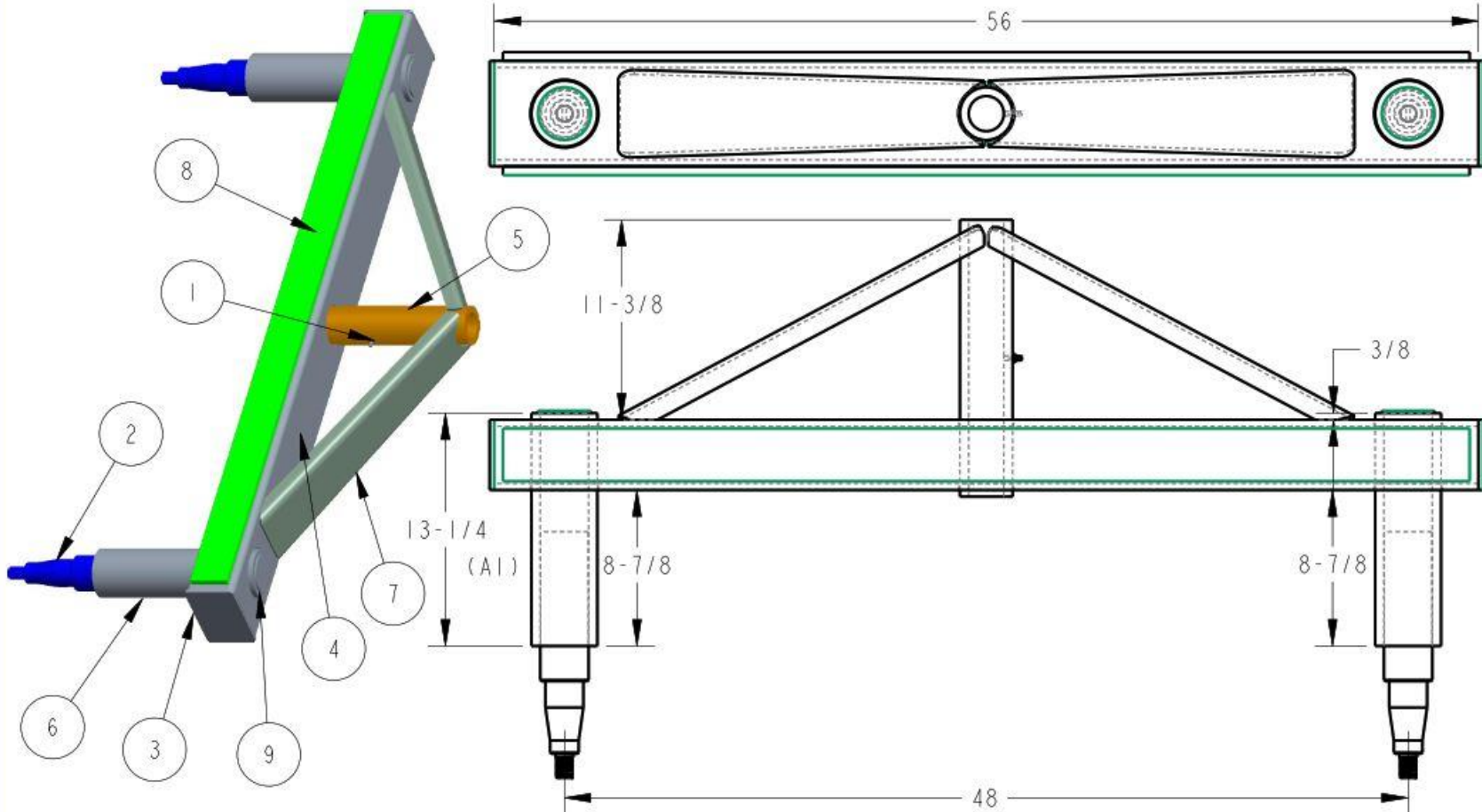
300-32367 HUB ASSEMBLY - 10,000 LB CAPACITY

ITEM	QTY.	WARREN PART NO.	DESCRIPTION
1	1	TBD	HUB ASSEMBLY - 10,000 LB - WITH INNER/OUTER CONE, STUDS AND NUTS
2	1	TBD	PIN FOR G281315 AND G281918
3	1	TBD	INNER SEAL - 10,000 LB HUB - FOR G289840
4	1	TBD	HUB CAP FOR 10,000 LB HUB
5	1	TBD	BEARING - INNER FOR G289840
6	1	TBD	OUTER BEARING FOR G289840 HUB
7	1	TBD	SPINDLE NUT FOR G281918
8	8	TBD	STUD FOR 6,000 LB AND 10,000 LG HUBS
9	1	TBD	SPINDLE WASHER FOR G281918

2.7.3:Walking Beam Arm – 48” Centers



ITEM	QTY.	PART NO.	WARREN PART NO.	DESCRIPTION	WEIGHT
1	1	FHF-50142	400-80215	ZERK - STRAIGHT - 1/4-28 THRD.	0.015
2	2	G281260L14	300-30985	SPINDLE - 6000# CAP - GEP	17.806
3	2	WB-SD-002	300-31824	WALKING BEAM TUBE END CAP	1.698
4	1	WB-SD-004-48	300-31826	WALKING BEAM TUBE - 48" SPREAD	100.335
5	1	WB-SD-006	300-31828	WALKING BEAM PIVOT TUBE	17.534
6	2	WB-SD-010-13	300-31832	AXLE FOR WALKING BEAM - 13 1/4"	19.183
7	2	WB-SD-011-48	300-31833	WALKING BEAM PIVOT SUPPORT - 48 CENTERS	9.518
8	2	WB-SD-012	300-31834	WALKING BEAM SUPPORT BAR	23.397
9	2	WB-SD-015	300-31837	AXLE END CAP - WALKING BEAM	0.270



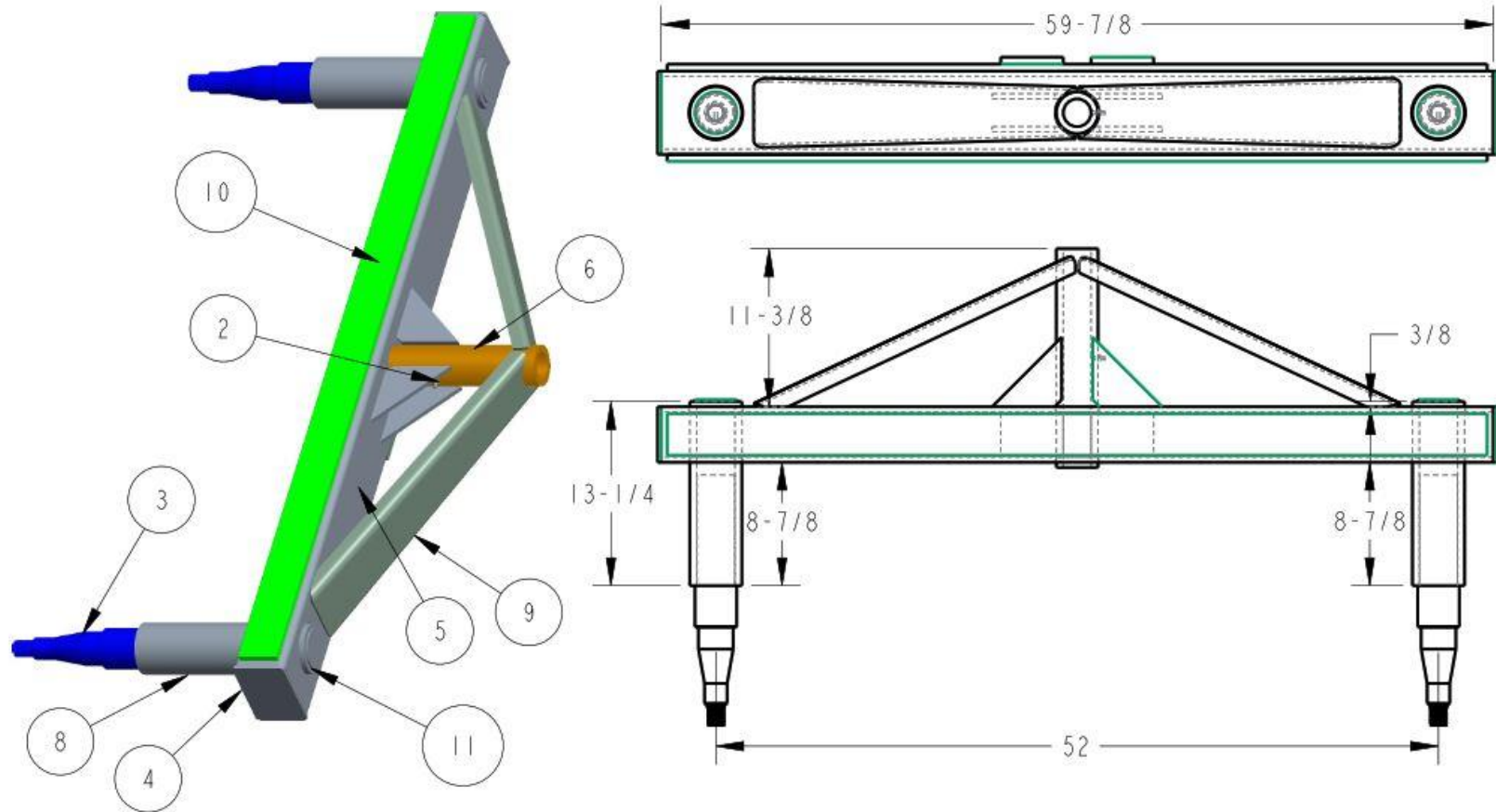
REVISED 4-24-15 (AI) DIMENSION WAS 11 1/4" - CHANGED TO ACCOMMODATE WIDER TIRES

261.629	Mar-09-22	WALKING BEAM ARM ASSEMBLY - 48" SPREAD	300-31827	WB-SD-005-48
---------	-----------	--	-----------	--------------

2.7.4: Walking Beam Arm – 52" Centers

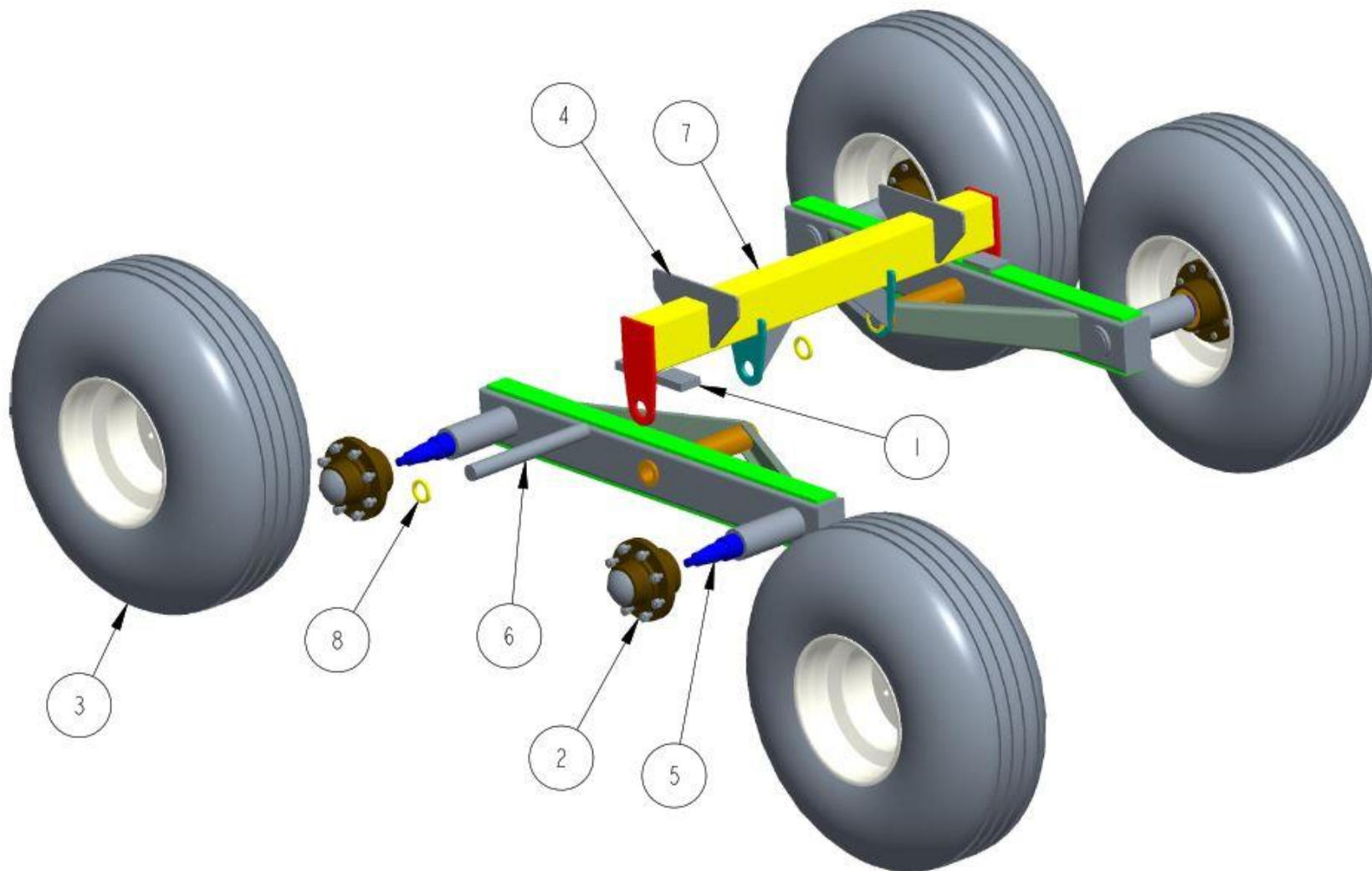


ITEM	QTY.	PART NO.	WARREN PART NO.	DESCRIPTION	WEIGHT
1	2	ACS-02-1191-2	600-30487	PLATE - SPACER	1.914
2	1	FHF-50142	400-80215	ZERK - STRAIGHT - 1/4-28 THRD.	0.015
3	2	G281917L18-A	300-32294	SPINDLE - 10000# CAP - GEP - MACHINED TO FIT AXLE TUBE	24.983
4	2	WB-SD-002	300-31824	WALKING BEAM TUBE END CAP	1.698
5	1	WB-SD-004-52	300-32289	WALKING BEAM TUBE - 52" SPREAD	107.738
6	1	WB-SD-006	300-31828	WALKING BEAM PIVOT TUBE	17.534
7	4	WB-SD-007	300-31829	PIVOT TUBE GUSSET	1.316
8	2	WB-SD-010-13	300-31832	AXLE FOR WALKING BEAM - 13 1/4"	19.183
9	2	WB-SD-011-52	300-32291	WALKING BEAM PIVOT SUPPORT - 52" CENTERS	10.353
10	2	WB-SD-012-52	300-32292	WALKING BEAM SUPPORT BAR - 52" CENTERS	25.099
11	2	WB-SD-015	300-31837	AXLE END CAP - WALKING BEAM	0.270



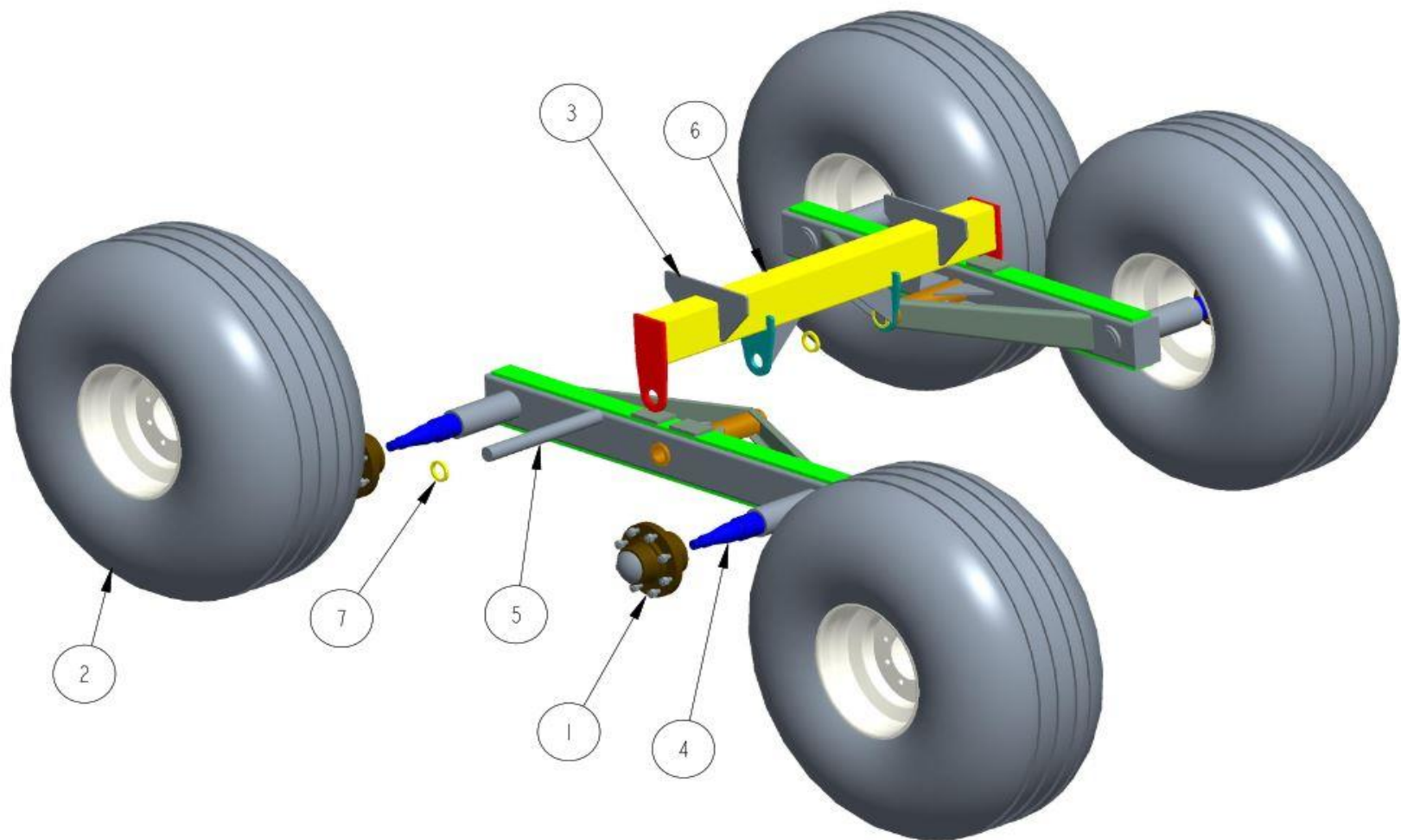
297.549	Mar-09-22	WALKING BEAM ARM ASSEMBLY - 52" SPREAD	300-32290	WB-SD-005-52
---------	-----------	--	-----------	--------------

2.7.5: Walking Beam Assembly – 6,000 lb



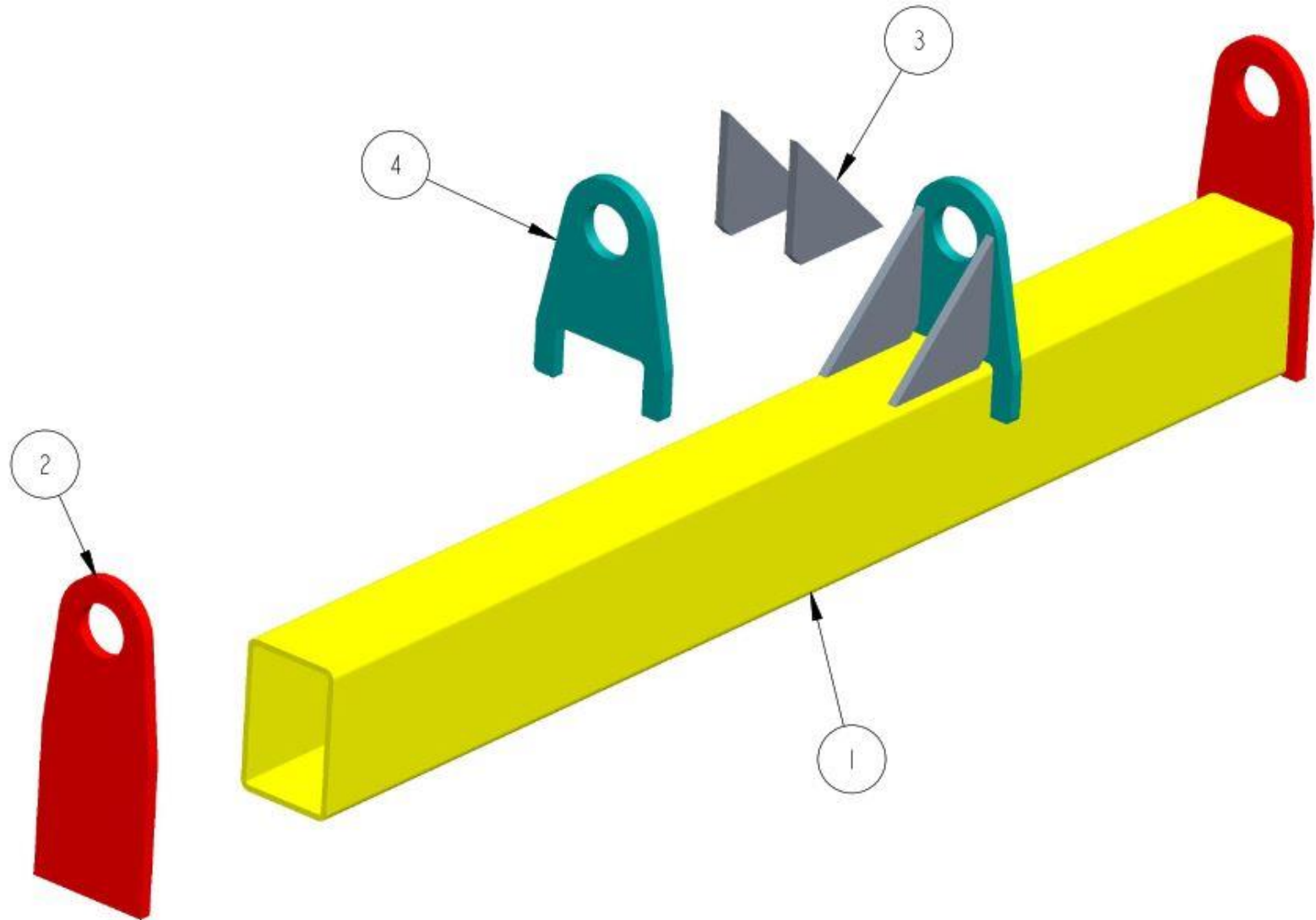
ITEM	QTY.	WARREN PART NO.	DESCRIPTION
1	4	600-30487	PLATE - SPACER
2	4	300-30986	HUB ASSEMBLY - 6,000 LB CAPACITY
3	4	100-30001	16.5L x 16.1 FLOTATION TIRE AND WHEEL
4	2	300-31822	AXLE SPACER TUBE GUSSET
5	2	300-31827	WALKING BEAM ARM ASSEMBLY - 48" SPREAD
6	2	300-31831	WALKING BEAM PIVOT SHAFT
7	1	300-31835	CROSS BEAM ASSEMBLY - WALKING BEAM - 48"
8	4	300-31836	PIVOT SHAFT RETAINER - WALKING BEAM

2.7.6: Walking Beam Assembly – 10,000 lb



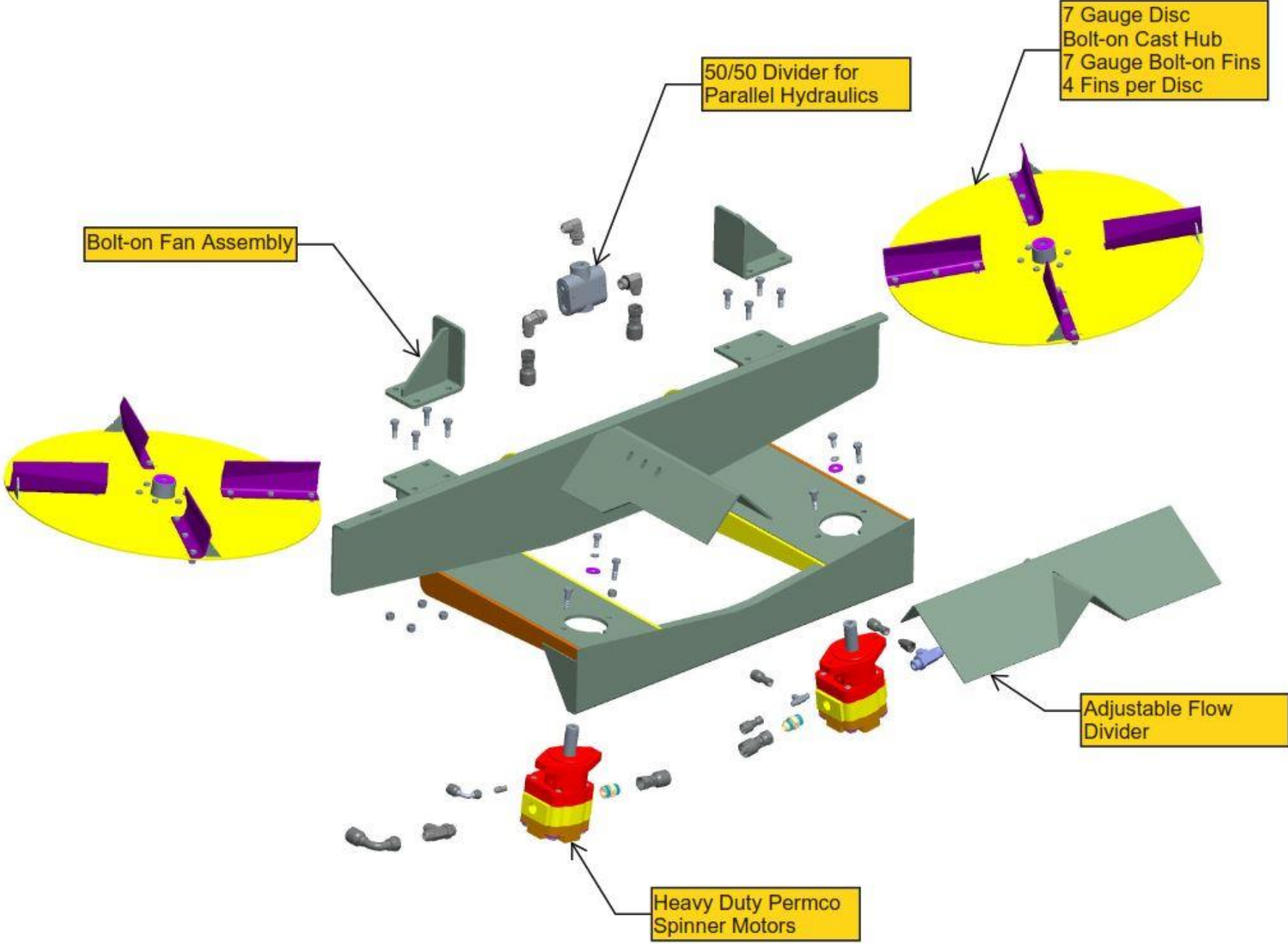
ITEM	QTY.	WARREN PART NO.	DESCRIPTION
1	4	300-32367	HUB ASSEMBLY - 10,000 LB CAPACITY
2	4	100-30004	21.5L X 16.1 FLOTATION TIRE AND WHEEL
3	2	300-31822	AXLE SPACER TUBE GUSSET
4	2	300-32290	WALKING BEAM ARM ASSEMBLY - 52" SPREAD
5	2	300-31831	WALKING BEAM PIVOT SHAFT
6	1	300-31835	CROSS BEAM ASSEMBLY - WALKING BEAM - 48"
7	4	300-31836	PIVOT SHAFT RETAINER - WALKING BEAM

2.7.7:Cross Beam Assembly

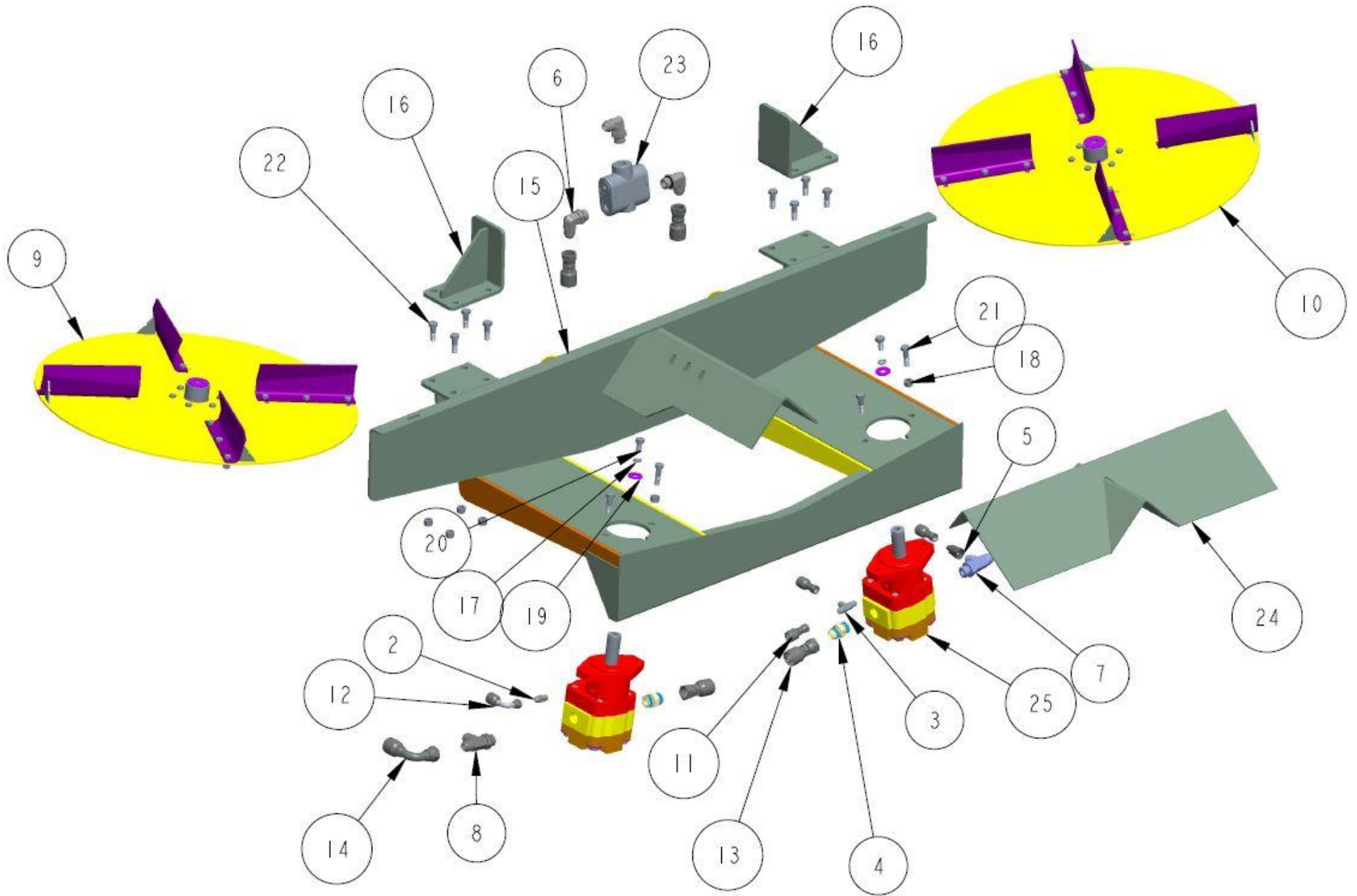


ITEM	QTY.	WARREN PART NO.	DESCRIPTION
1	1	300-31823	AXLE SPACER TUBE - 52" LONG
2	2	300-31825	PIVOT BRACKET - OUTER - WALKING BEAM
3	4	300-31829	PIVOT TUBE GUSSET
4	2	300-31830	PIVOT BRACKET - INNER - WALKING BEAM

2.8:Fan Assembly



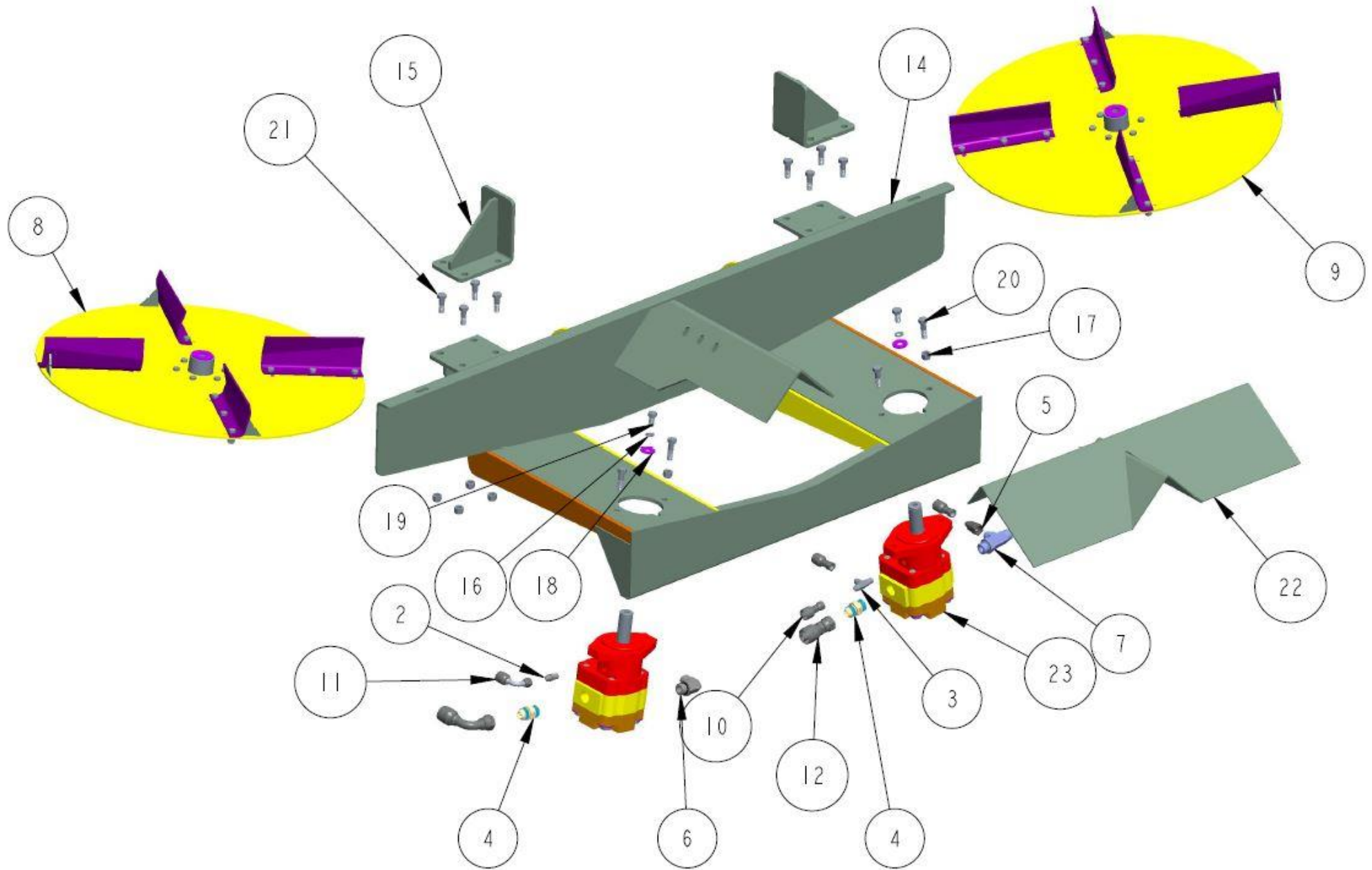
2.8.1:LS Fan Assembly



2.8.2:LS Fan Assembly BOM

<u>ITEM</u>	<u>QTY.</u>	<u>WARREN PART NO.</u>	<u>DESCRIPTION</u>
1	1	300-32208	KIT-HYD-LS FAN ASSEMBLY-PARALLEL HYDRAULICS
2	1	400-80343	ADAPTER-3/8"JICMX1/4"NPTM
3	1	400-80344	TEE-3/8"JICMX1/4"NPTMX3/8"JICM
4	2	400-80064	ADAPTER-3/4"ORMX3/4"JICM
5	1	400-80336	ADAPTER-3/8"JICMX5/8"JICFMS
6	3	400-80070	ELBOW-3/4"ORMX3/4"JICM-90 DEG
7	1	400-80345	TEE-3/4"JICMX3/4"ORMX5/8"JICM
8	1	400-80075	TEE-3/4"JICMX3/4"ORMX3/4"JICM
9	1	300-32145	SPINNER DISC ASSEMBLY - LS - 30" - MS - LH
10	1	300-32146	SPINNER DISC ASSEMBLY - LS - 30" - MS - RH
11	3	400-80131	HOSE END-3/8"JICFMSX3/8"HOSE
12	1	400-80335	HOSE END-3/8"JICFMSX3/8" HOSE-90T-SH
13	4	400-80133	HOSE END-3/4"JICFMSX3/4"HOSE
14	2	400-80135	HOSE END-3/4"JICFMS-90 TUBE
15	1	300-32149	FRAME WELDED ASSEMBLY - 30" LS SPINNER - MS
16	2	300-32264	FAN ASSEMBLY UPPER MOUNT - LS - MS
17	2	900-80019	1/2 SPLIT LOCKWASHER ZN
18	12	900-80025	1/2-13 NYLON INSERT LOCKNUT ZN
19	2	900-80017	1/2 FLAT WASHER ZN
20	2	900-80030	1/2-13 X 1 HEX CAP SCREW GR 8 YEL ZN
21	4	900-80039	1/2-13 X 1-3/4 HEX CAP SCREW GR 8 YEL ZN
22	8	900-80033	1/2-13 X 1-1/2 HEX CAP SCREW GR 8 YEL ZN
23	1	400-30035	VALVE-B50 50 X 50
24	1	300-32153	LS DEFLECTER ASSEMBLY - ADJUSTABLE - MS
25	2	400-30009	LF SPINNER MOTOR

2.8.3:LST Fan Assembly



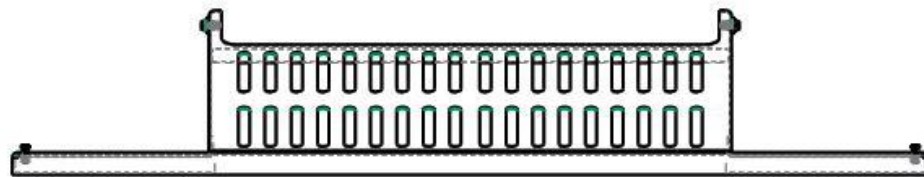
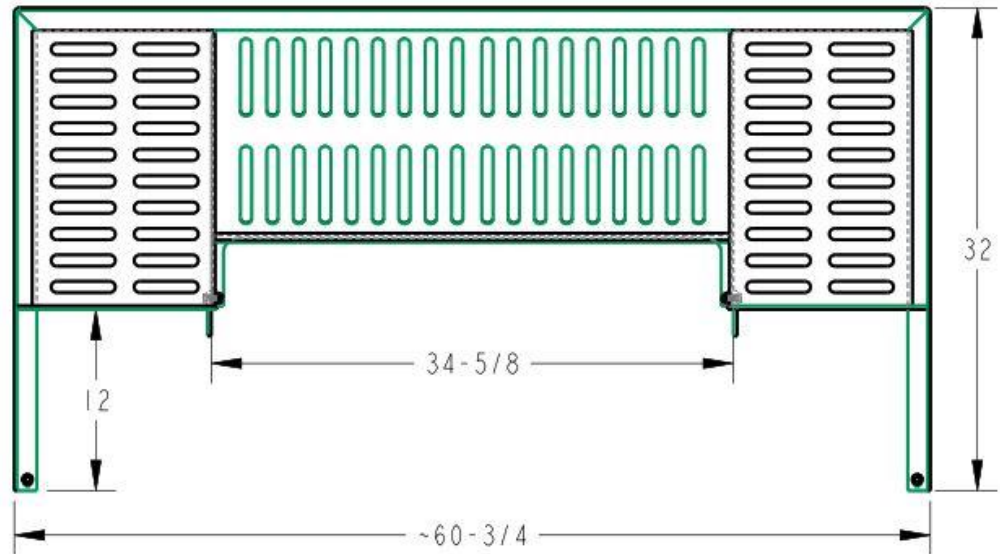
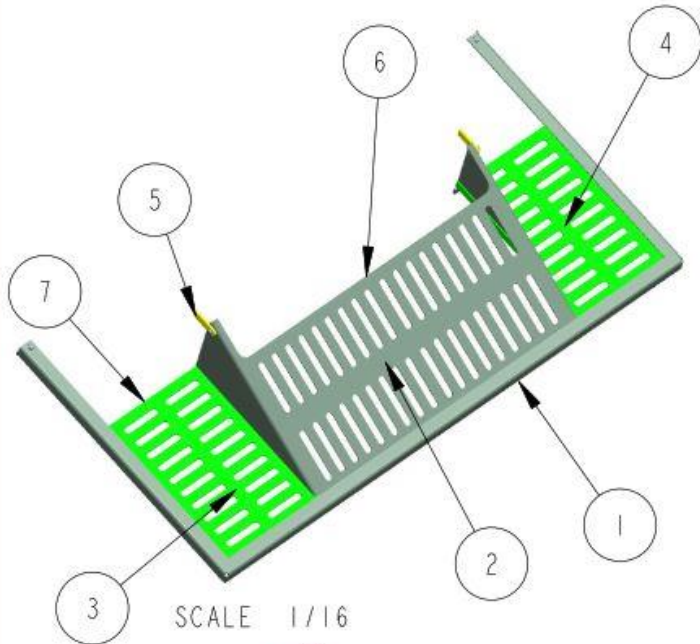
2.8.4:LST Fan Assembly BOM

<u>ITEM</u>	<u>QTY.</u>	<u>WARREN PART NO.</u>	<u>DESCRIPTION</u>
1	1	300-32209	KIT - HYD - LS FAN ASSEMBLY - SERIES HYDRAULICS
2	1	400-80343	ADAPTER-3/8"JICMX1/4"NPTM
3	1	400-80344	TEE-3/8"JICMX1/4"NPTMX3/8"JICM
4	2	400-80064	ADAPTER-3/4"ORMX3/4"JICM
5	1	400-80336	ADAPTER-3/8"JICMX5/8"JICFMS
6	1	400-80070	ELBOW-3/4"ORMX3/4"JICM-90 DEG
7	1	400-80345	TEE-3/4"JICMX3/4"ORMX5/8"JICM
8	1	300-32145	SPINNER DISC ASSEMBLY - LS - 30" - MS - LH
9	1	300-32146	SPINNER DISC ASSEMBLY - LS - 30" - MS - RH
10	3	400-80131	HOSE END-3/8"JICFMSX3/8"HOSE
11	1	400-80335	HOSE END-3/8"JICFMSX3/8" HOSE-90T-SH
12	1	400-80133	HOSE END-3/4"JICFMSX3/4"HOSE
13	1	400-80135	HOSE END-3/4"JICFMS-90 TUBE
14	1	300-32149	FRAME WELDED ASSEMBLY - 30" LS SPINNER - MS
15	2	300-32264	FAN ASSEMBLY UPPER MOUNT - LS - MS
16	2	900-80019	1/2 SPLIT LOCKWASHER ZN
17	12	900-80025	1/2-13 NYLON INSERT LOCKNUT ZN
18	2	900-80017	1/2 FLAT WASHER ZN
19	2	900-80030	1/2-13 X 1 HEX CAP SCREW GR 8 YEL ZN
20	4	900-80039	1/2-13 X 1-3/4 HEX CAP SCREW GR 8 YEL ZN
21	8	900-80033	1/2-13 X 1-1/2 HEX CAP SCREW GR 8 YEL ZN
22	1	300-32153	LS DEFLECTER ASSEMBLY - ADJUSTABLE - MS
23	2	400-30009	LF SPINNER MOTOR

2.8.5:LS and LST Fan Guard



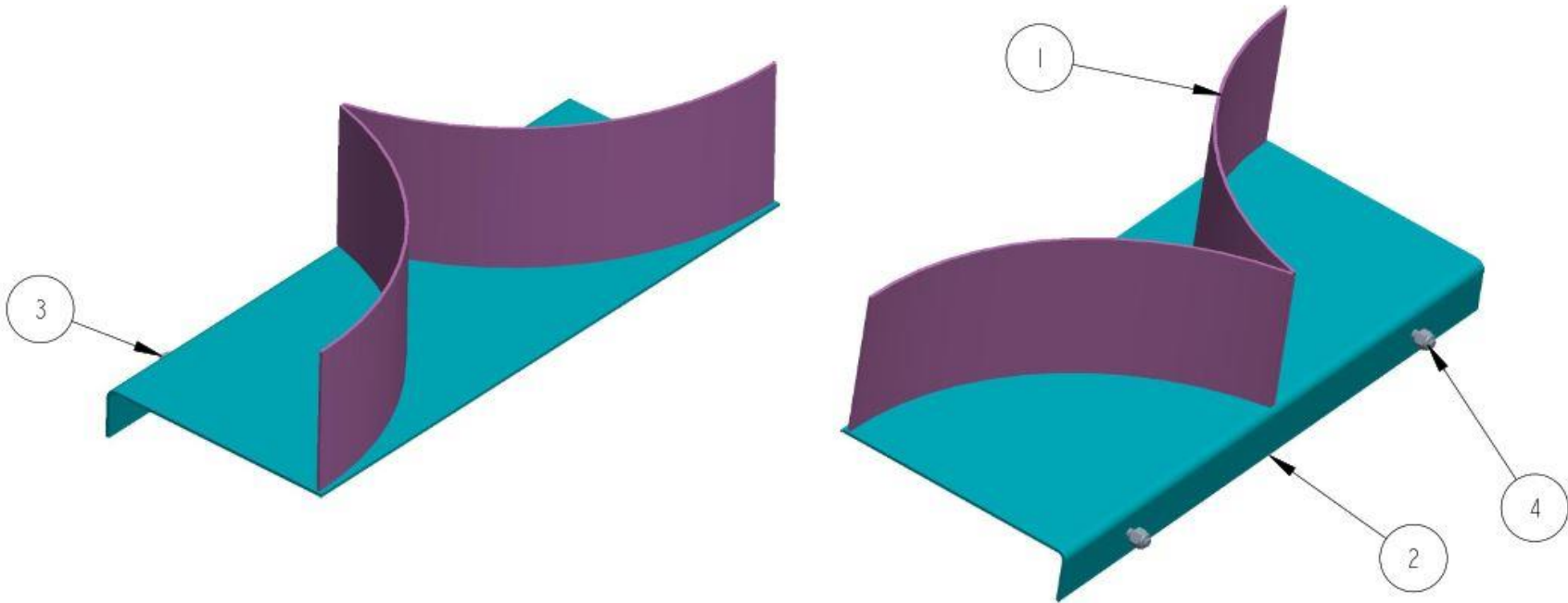
ITEM	QTY.	PART NO.	WARREN PART NO.	DESCRIPTION	WEIGHT
1	1	200041-07-30	300-31838	SPINNER GUARD FRAME - 30" DISC - MS	16.773
2	1	220101-30-01-MS	300-31867	SPINNER GUARD - LS - MS	21.448
3	1	220101-30-02-MS-L	300-31869	LS GUARD PL - LH - MS	6.946
4	1	220101-30-02-MS-R	300-31871	LS GUARD PL - RH - MS	6.946
5	2	220101-30-03-MS	300-31873	MOUNTING BAR - LS GUARD - MS	0.194
6	1	220101-30-04-MS	300-31875	STIFFNER - LS GUARD - MS	1.740
7	2	220101-30-05-MS	300-31877	STIFFNER - LS GUARD - MS	0.938
8	4	FF-00219	900-80114	3/8-16 NYLON INSERT LOCKNUT ZN	0.030
9	4	FF-00224	900-80120	3/8-16 X 1 HEX CAP SCREW GR 8 YEL ZN	0.047



56.428	Feb-08-23	GUARD ASSY - LS - 30" SPINNERS - MS	300-31865	220101-30
--------	-----------	-------------------------------------	-----------	-----------

2.8.6:Shavings Broadcaster

ITEM	QTY.	PART NO.	WARREN PART NO.	DESCRIPTION	WEIGHT
1	2	A200340-12	300-30966	CURVED CHUTE - SHAVINGS BROADCASTER	3.880
2	1	A200340-13	300-30967	CHUTE BASE MOUNT - SHAVINGS BROADCASTER	11.430
3	2	FF-00219	900-80114	3/8-16 NYLON INSERT LOCKNUT ZN	0.030
4	2	FF-00224	900-80120	3/8-16 X 1 HEX CAP SCREW GR 8 YEL ZN	0.047



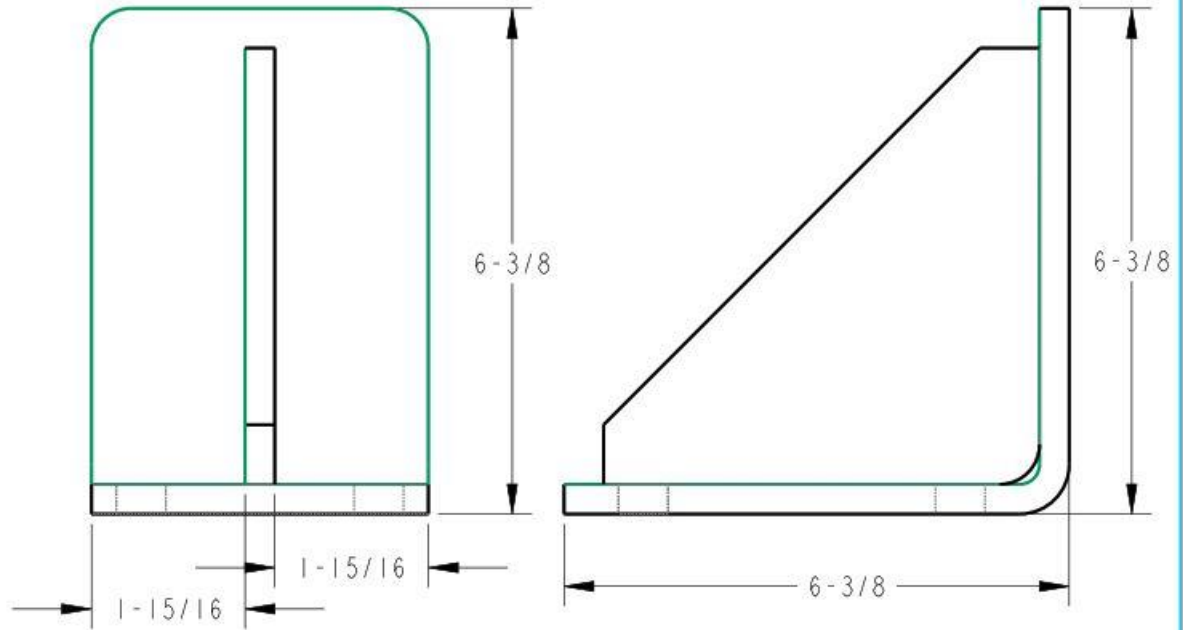
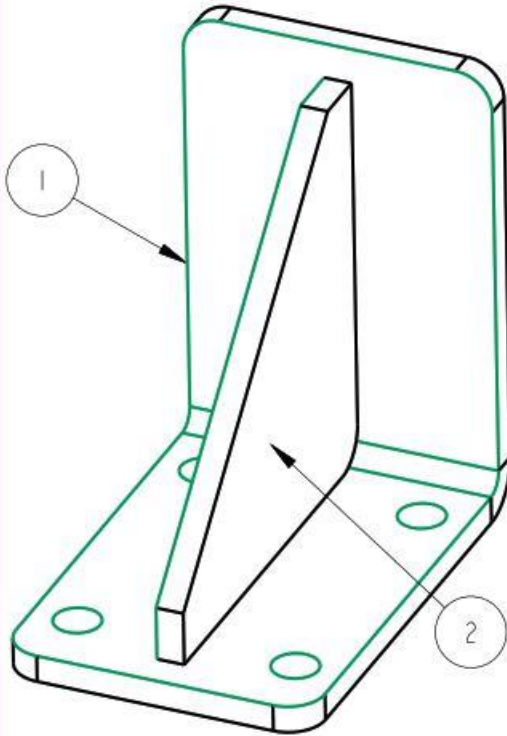
UNLESS OTHERWISE SPECIFIED, ALL WELDS TO BE CONTINUOUS. SIZE OF WELD TO BE AT LEAST THE THICKNESS OF THE THINNER OF THE ADJACENT METALS.

TOLERANCE-UNLESS OTHERWISE SPECIFIED.
 DECIMAL ± .0625 FRACTIONAL ± /16 ANGULAR ± 1°

OP. #	OPERATION	MACH #	W/O#	 WARREN COLLINS, MS.	SCALE 3/16	REQ'D.
			DATE		DRAWN PK	DATE Aug-27-21
			QTY.			WEIGHT 19.344
			DEST.		NAME SHAVINGS BROADCASTER - LS3420	WARREN PART NO. 300-30970
			MATERIAL NA		NUMBER A220311-02	


2.8.7:Fan Upper Mount Bracket

ITEM	QTY.	PART NO.	WARREN PART NO.	DESCRIPTION	WEIGHT
1	1	FAUM-LS-01-MS	300-32266	FAN ASSEMBLY UPPER MOUNT ANGLE - MS	5.355
2	1	FAUM-LS-02-MS	300-32268	FAN ASSEMBLY UPPER MOUNT GUSSET - MS	2.012



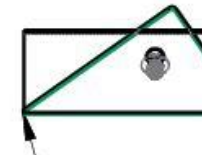
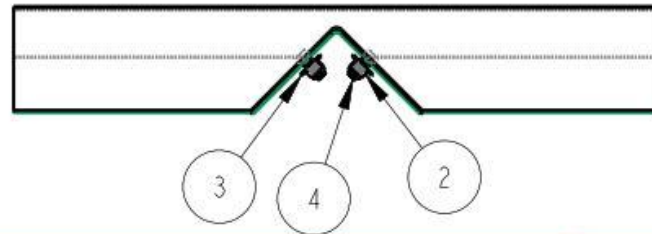
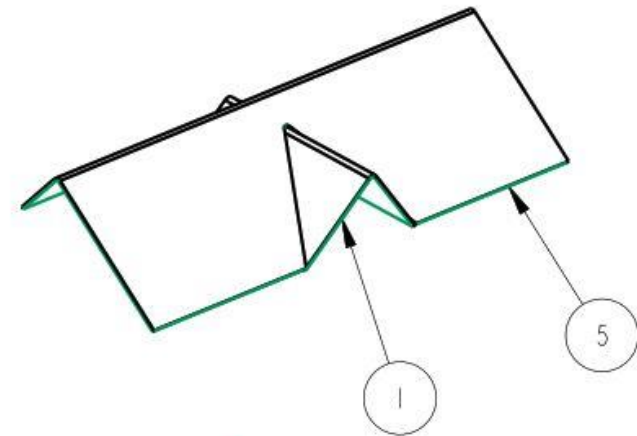
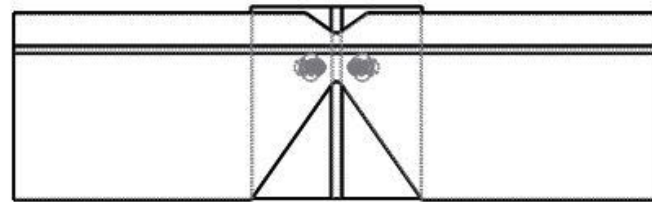
UNLESS OTHERWISE SPECIFIED, ALL WELDS TO BE CONTINUOUS. SIZE OF WELD TO BE AT LEAST THE THICKNESS OF THE THINNER OF THE ADJACENT METALS.

TOLERANCE-UNLESS OTHERWISE SPECIFIED.
 DECIMAL ±.0625 FRACTIONAL ±/16 ANGULAR ±1°

OP. #	OPERATION	MACH #	W/O#	 WARREN COLLINS, MS. NAME FAN ASSEMBLY UPPER MOUNT - LS - MS MATERIAL NA	SCALE	REQ'D.
			DATE		1/2	
			QTY.		DRAWN	DATE
			DEST.		PK	Mar-30-22
						WEIGHT
						7.367
				WARREN PART NO.	300-32264	
				NUMBER	FAUM-LS-MS	

2.8.8:Deflector Assembly


ITEM	QTY.	PART NO.	WARREN PART NO.	DESCRIPTION	WEIGHT
1	1	DS-LSF-MS	300-32155	DIVIDER SLIDE - LS FAN - MS	4.231
2	2	FF-00087	900-80025	1/2-13 NYLON INSERT LOCKNUT ZN	0.045
3	2	FF-00089	900-80017	1/2 FLAT WASHER ZN	0.100
4	2	FF-00154	900-80035	1/2-13 X 1-1/4 HEX CAP SCREW GR 8 YEL ZN	0.111
5	1	LSD-MS	300-32157	LS DEFLECTOR - 30" SPINNERS - MS	13.401



ALIGN ITEM #2 WITH EDGE OF ITEM#1

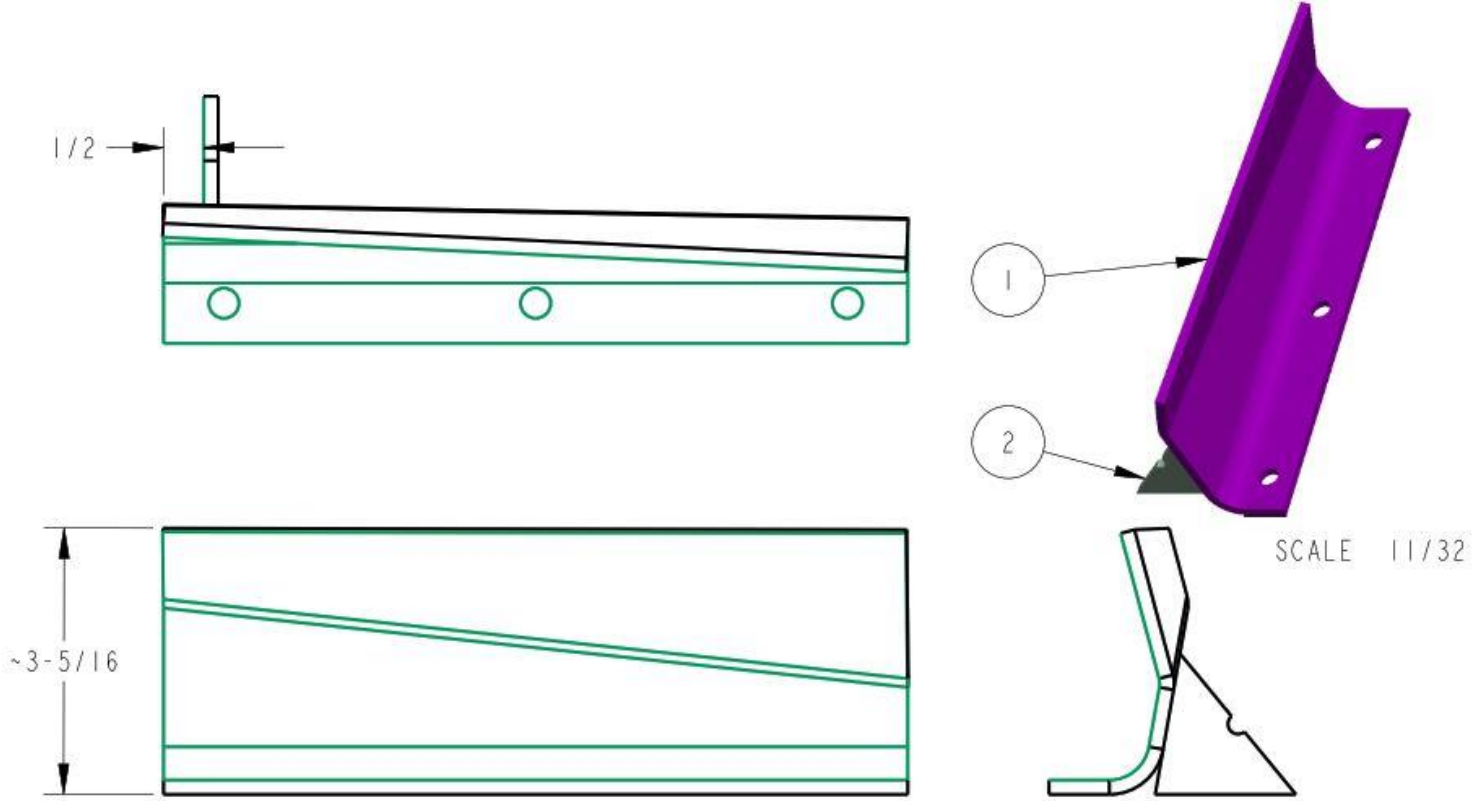
UNLESS OTHERWISE SPECIFIED, ALL WELDS TO BE CONTINUOUS. SIZE OF WELD TO BE AT LEAST THE THICKNESS OF THE THINNER OF THE ADJACENT METALS.

TOLERANCE-UNLESS OTHERWISE SPECIFIED.
 DECIMAL ±.0625 FRACTIONAL ±/16 ANGULAR ±1°

OP. #	OPERATION	MACH #	W/O#	 WARREN COLLINS, MS.	SCALE	REQ'D.
			DATE		1/8	DATE
			QTY.		JS	Mar-08-22
			DEST.			WEIGHT
						18.020
				NAME	WARREN PART NO.	
				LS DEFLECTOR ASSEMBLY - ADJUSTABLE - MS	300-32153	
				MATERIAL	NUMBER	
				NA	LSDA-MS	


2.8.9:Fin Assembly – MS – Right Hand

ITEM	QTY.	PART NO.	WARREN PART NO.	DESCRIPTION	WEIGHT
1	1	200055-01	300-30314	SPINNER FIN - LF - RH - M/S	2.023
2	1	200056-01	300-30316	SPINNER FIN GUSSET - LF - MS	0.077



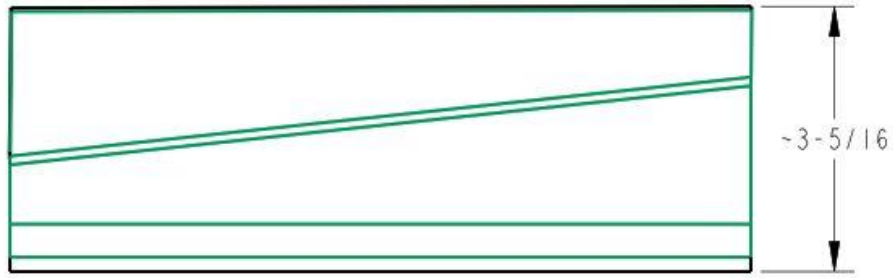
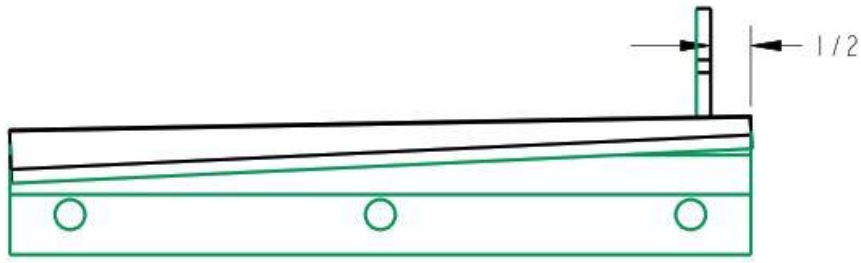
UNLESS OTHERWISE SPECIFIED, ALL WELDS TO BE CONTINUOUS. SIZE OF WELD TO BE AT LEAST THE THICKNESS OF THE THINNER OF THE ADJACENT METALS.

TOLERANCE-UNLESS OTHERWISE SPECIFIED.
 DECIMAL ±.0625 FRACTIONAL ±/16 ANGULAR ±1°

OP. #	OPERATION	MACH #	W/O#	 WARREN COLLINS, MS. NAME SPINNER FIN ASSEMBLY - LF - RH MATERIAL NA	SCALE	REQ'D.
			DATE		1/2	
			QTY.		DRAWN	DATE
			DEST.		PK	17-Dec-14
						WEIGHT
						2.100
				WARREN PART NO.	300-30025	
				NUMBER	220015-01	

2.8.9:Fin Assembly – MS – Left Hand


ITEM	QTY.	PART NO.	WARREN PART NO.	DESCRIPTION	WEIGHT
1	1	200055-02	300-30315	SPINNER FIN - LF - LH - M/S	2.023
2	1	200056-01	300-30316	SPINNER FIN GUSSET - LF - MS	0.077



UNLESS OTHERWISE SPECIFIED, ALL WELDS TO BE CONTINUOUS. SIZE OF WELD TO BE AT LEAST THE THICKNESS OF THE THINNER OF THE ADJACENT METALS.

TOLERANCE-UNLESS OTHERWISE SPECIFIED.
 DECIMAL ± .0625 FRACTIONAL ± /16 ANGULAR ± 1°

OP. #	OPERATION	MACH #	W/O#
			DATE
			QTY.
			DEST.



WARREN
COLLINS, MS.

NAME
SPINNER FIN ASSEMBLY - LF - LH

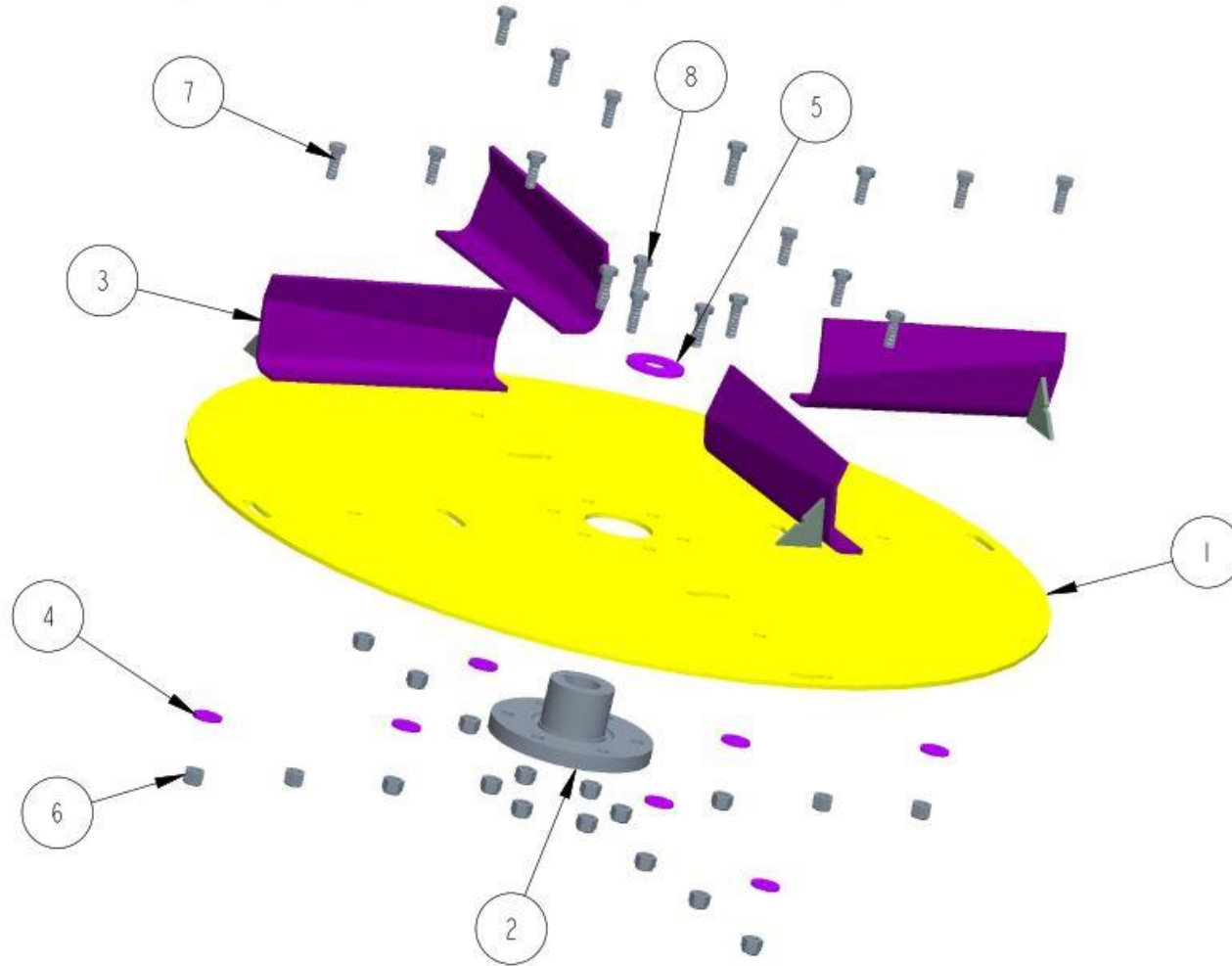
MATERIAL
NA

SCALE 1/2	REQ'D.
DRAWN PK	DATE 17-Dec-14
	WEIGHT 2.100
WARREN PART NO. 300-30026	
NUMBER 220015-02	

2.8.10: Disc Assembly – MS – Right Hand



ITEM	QTY.	PART NO.	WARREN PART NO.	DESCRIPTION	WEIGHT
1	1	200054-19-4F-30	300-32143	SPINNER DISC - 30" - LS - 4 FIN - MS	35.368
2	1	200079-05-225	300-31420	SPINNER HUB - DIRECT MOUNT MOTOR - LS	4.798
3	4	220015-01	300-30025	SPINNER FIN ASSEMBLY - LF - RH	2.100
4	8	FF-00015	900-80106	3/8 FLAT WASHER ZN	0.021
5	1	FF-00140	900-80094	3/4 FLAT WASHER ZN	0.100
6	18	FF-00219	900-80114	3/8-16 NYLON INSERT LOCKNUT ZN	0.030
7	12	FF-00224	900-80120	3/8-16 X 1 HEX CAP SCREW GR 8 YEL ZN	0.047
8	6	FF-00229	900-80128	3/8-16 X 1-1/4 HEX CAP SCREW GR 8 YEL ZN	0.055

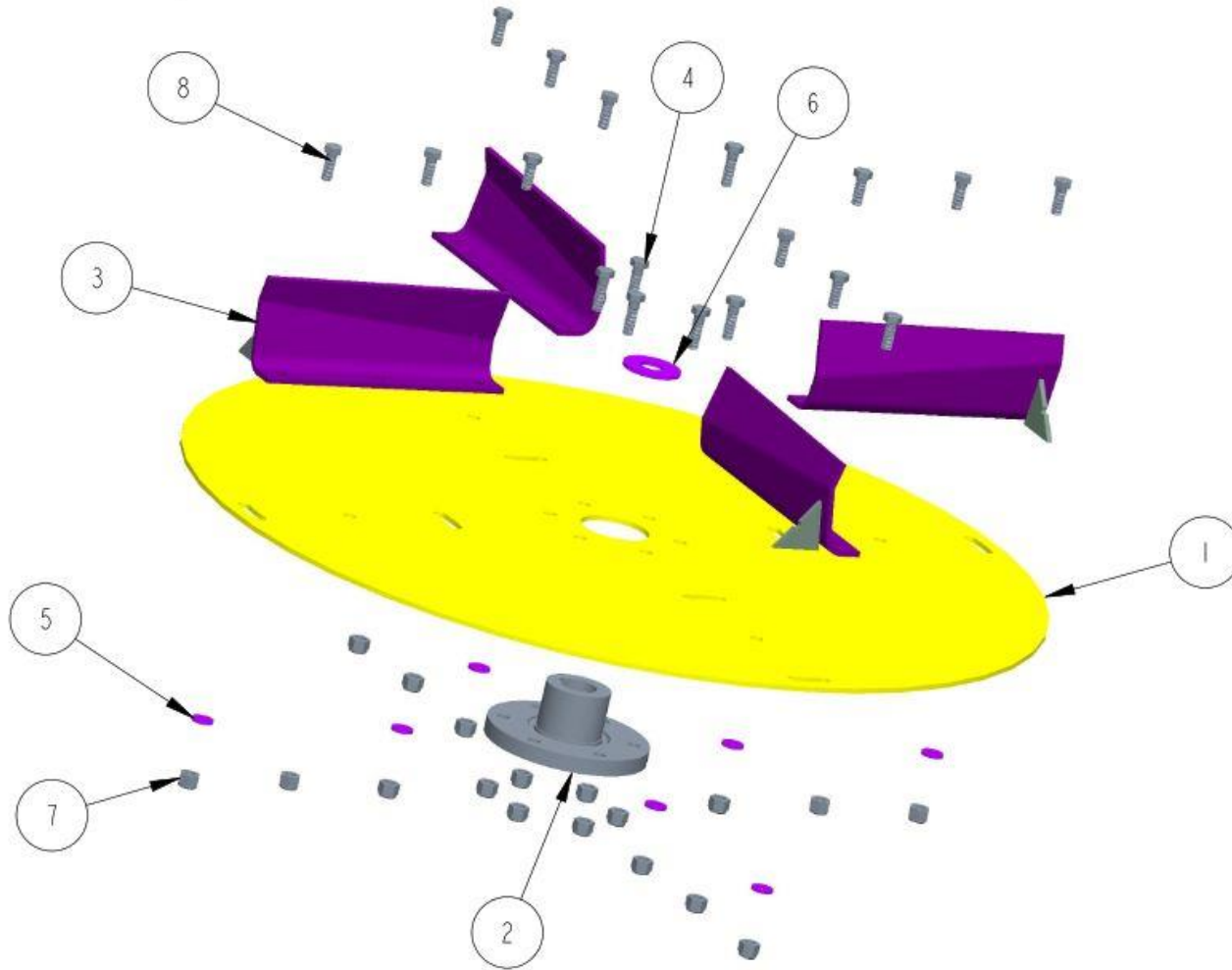


50.256	Feb-10-22	SPINNER DISC ASSEMBLY - LS - 30" - MS - RH	300-32146	220123-27-30
--------	-----------	--	-----------	--------------

2.8.10:Disc Assembly – SS – Right Hand



ITEM	QTY.	PART NO.	WARREN PART NO.	DESCRIPTION	WEIGHT
1	1	200054-69-4F-30	300-32144	SPINNER DISC - 30" - LS - 4 FIN - SS	36.042
2	1	200079-05-225	300-31420	SPINNER HUB - DIRECT MOUNT MOTOR - LS	4.787
3	4	220015-51	300-32464	SPINNER FIN ASSEMBLY - LF - SS - RH	2.403
4	6	FF-00010	900-80129	3/8-16 X 1-1/4 HEX CAP SCREW SS	0.055
5	8	FF-00012	900-80105	3/8 FLAT WASHER SS	0.011
6	1	FF-00140	900-80094	3/4 FLAT WASHER ZN	0.100
7	18	FF-00156	900-80470	3/8-16 NYLON INSERT LOCKNUT SS	0.031
8	12	FF-00164	900-80121	3/8-16 X 1 HEX CAP SCREW SS	0.048

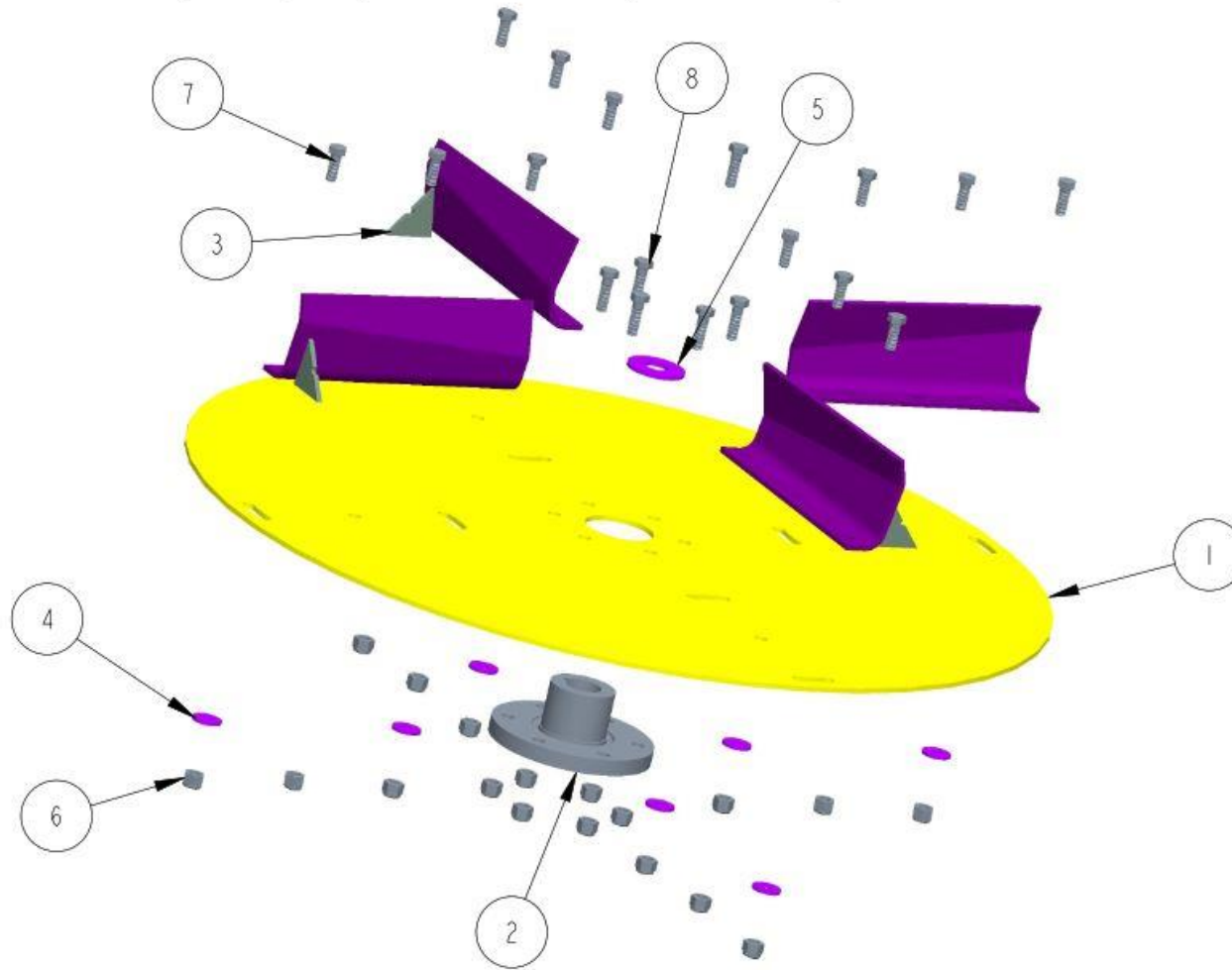


52.090	Feb-10-22	SPINNER DISC ASSEMBLY - LS - 30" - SS - RH	300-32148	220123-77-30
--------	-----------	--	-----------	--------------

2.8.10:Disc Assembly – MS – Left Hand



ITEM	QTY.	PART NO.	WARREN PART NO.	DESCRIPTION	WEIGHT
1	1	200054-19-4F-30	300-32143	SPINNER DISC - 30" - LS - 4 FIN - MS	35.368
2	1	200079-05-225	300-31420	SPINNER HUB - DIRECT MOUNT MOTOR - LS	4.787
3	4	220015-02	300-30026	SPINNER FIN ASSEMBLY - LF - LH	2.100
4	8	FF-00015	900-80106	3/8 FLAT WASHER ZN	0.021
5	1	FF-00140	900-80094	3/4 FLAT WASHER ZN	0.100
6	18	FF-00219	900-80114	3/8-16 NYLON INSERT LOCKNUT ZN	0.030
7	12	FF-00224	900-80120	3/8-16 X 1 HEX CAP SCREW GR 8 YEL ZN	0.047
8	6	FF-00229	900-80128	3/8-16 X 1-1/4 HEX CAP SCREW GR 8 YEL ZN	0.054

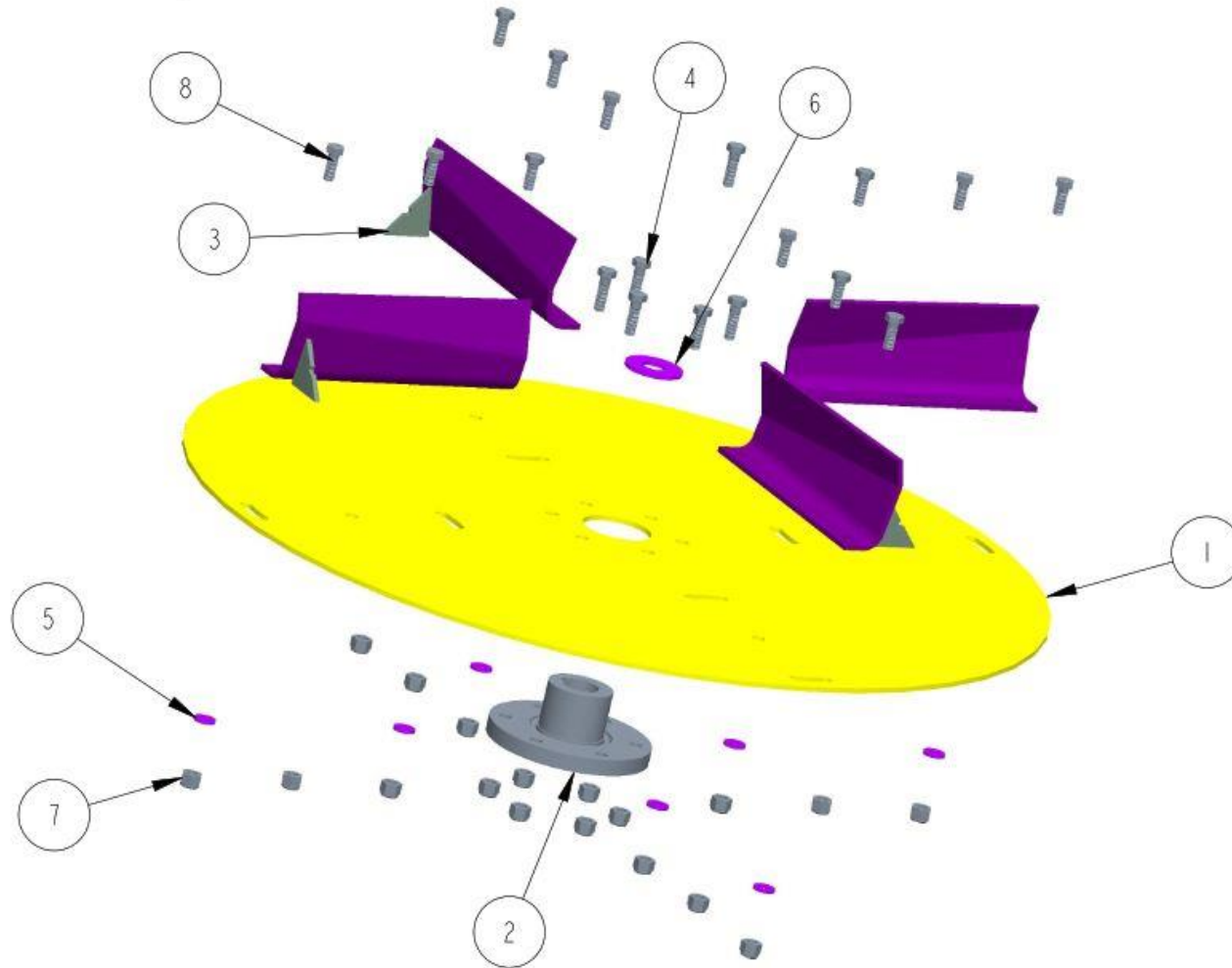


50.256	Feb-10-22	SPINNER DISC ASSEMBLY - LS - 30" - MS - LH	300-32145	220123-26-30
--------	-----------	--	-----------	--------------

2.8.10:Disc Assembly – SS – Left Hand

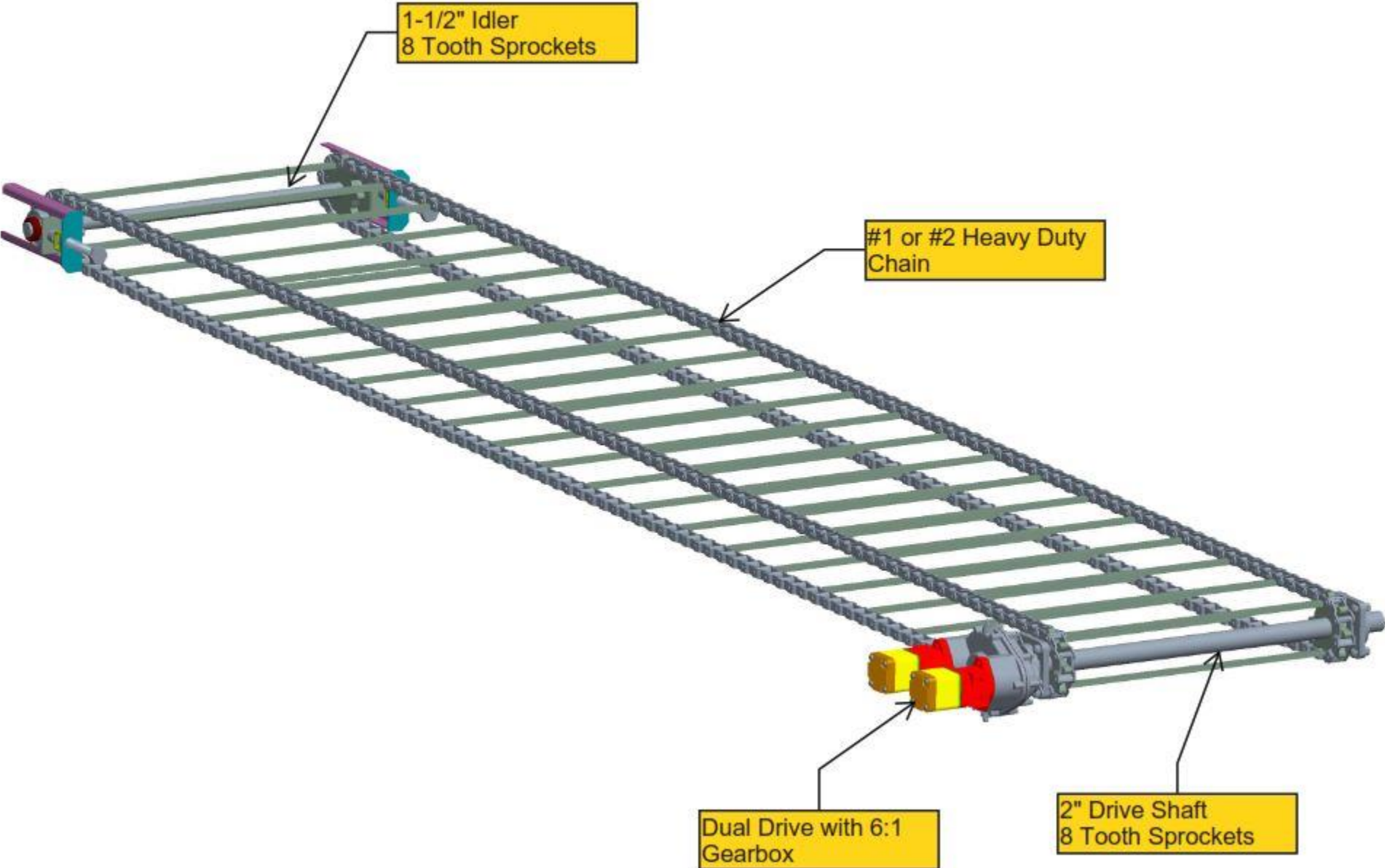


ITEM	QTY.	PART NO.	WARREN PART NO.	DESCRIPTION	WEIGHT
1	1	200054-69-4F-30	300-32144	SPINNER DISC - 30" - LS - 4 FIN - SS	36.042
2	1	200079-05-225	300-31420	SPINNER HUB - DIRECT MOUNT MOTOR - LS	4.787
3	4	220015-52	300-32465	SPINNER FIN ASSEMBLY - LF - SS -LH	2.403
4	6	FF-00010	900-80129	3/8-16 X 1-1/4 HEX CAP SCREW SS	0.055
5	8	FF-00012	900-80105	3/8 FLAT WASHER SS	0.011
6	1	FF-00140	900-80094	3/4 FLAT WASHER ZN	0.100
7	18	FF-00156	900-80470	3/8-16 NYLON INSERT LOCKNUT SS	0.031
8	12	FF-00164	900-80121	3/8-16 X 1 HEX CAP SCREW SS	0.048

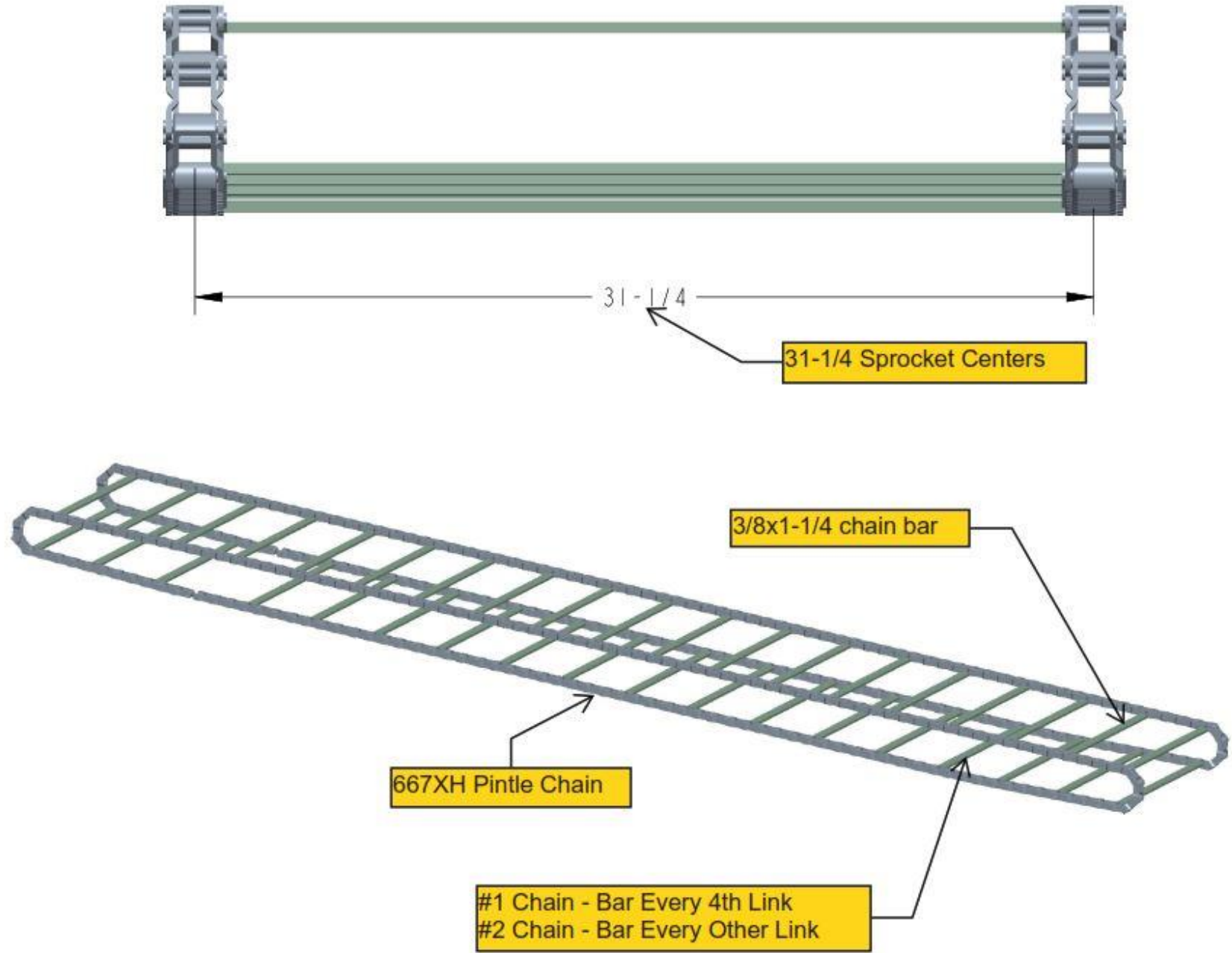


52.090	Feb-10-22	SPINNER DISC ASSEMBLY - LS - 30" - SS - LH	300-32147	220123-76-30
--------	-----------	--	-----------	--------------

3.1: Drive Components



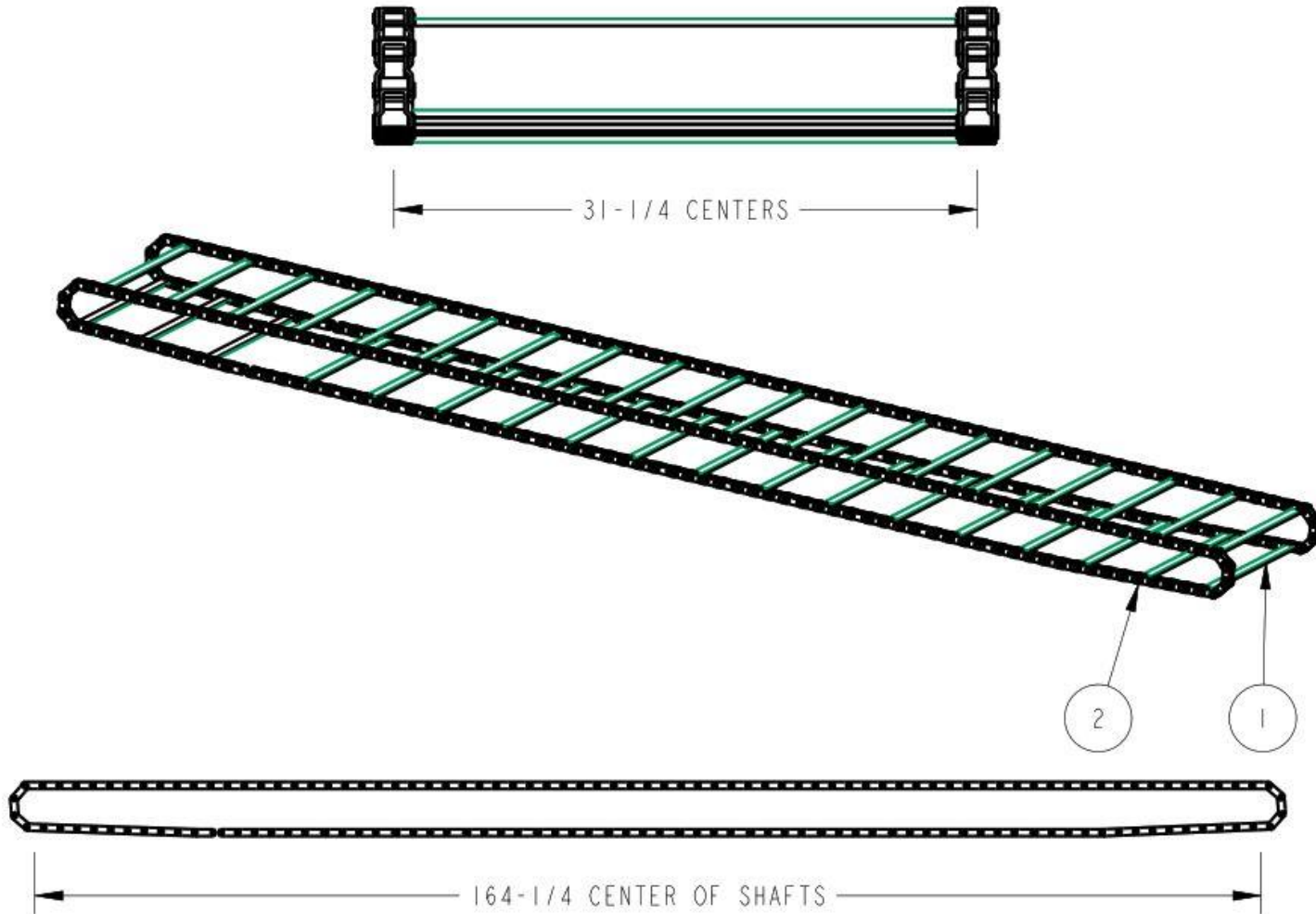
3.1.1:Chains



3.1.2:Chain – Number 1 Heavy Duty 14'



ITEM	QTY.	PART NO.	WARREN PART NO.	DESCRIPTION	WEIGHT
1	37	200040-18	300-30288	CROSS BAR - PINTLE CHAIN - 34 IN - STD	3.925
2	302	FM-00930	700-30100	CHAIN - PINTLE - 667XH	0.420

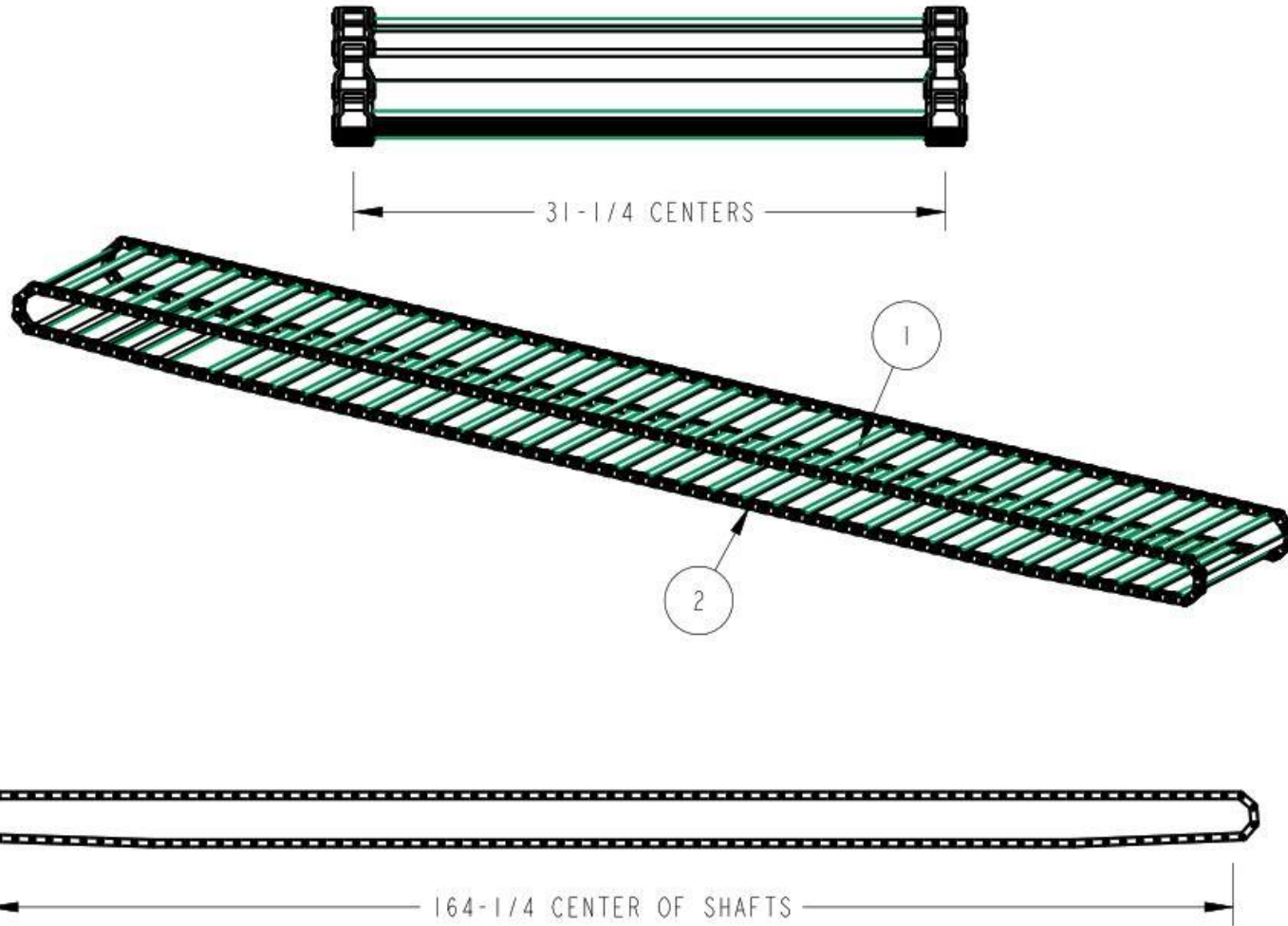


272.096	Mar-10-22	CHAIN - PINTLE #1 HD 14' - LS3420	300-32192	220393-02-NO1-HD
---------	-----------	-----------------------------------	-----------	------------------

3.1.3:Chain – Number 2 Heavy Duty 14'



ITEM	QTY.	PART NO.	WARREN PART NO.	DESCRIPTION	WEIGHT
1	78	200040-18	300-30288	CROSS BAR - PINTLE CHAIN - 34 IN - STD	3.925
2	316	FM-00930	700-30100	CHAIN - PINTLE - 667XH	0.420

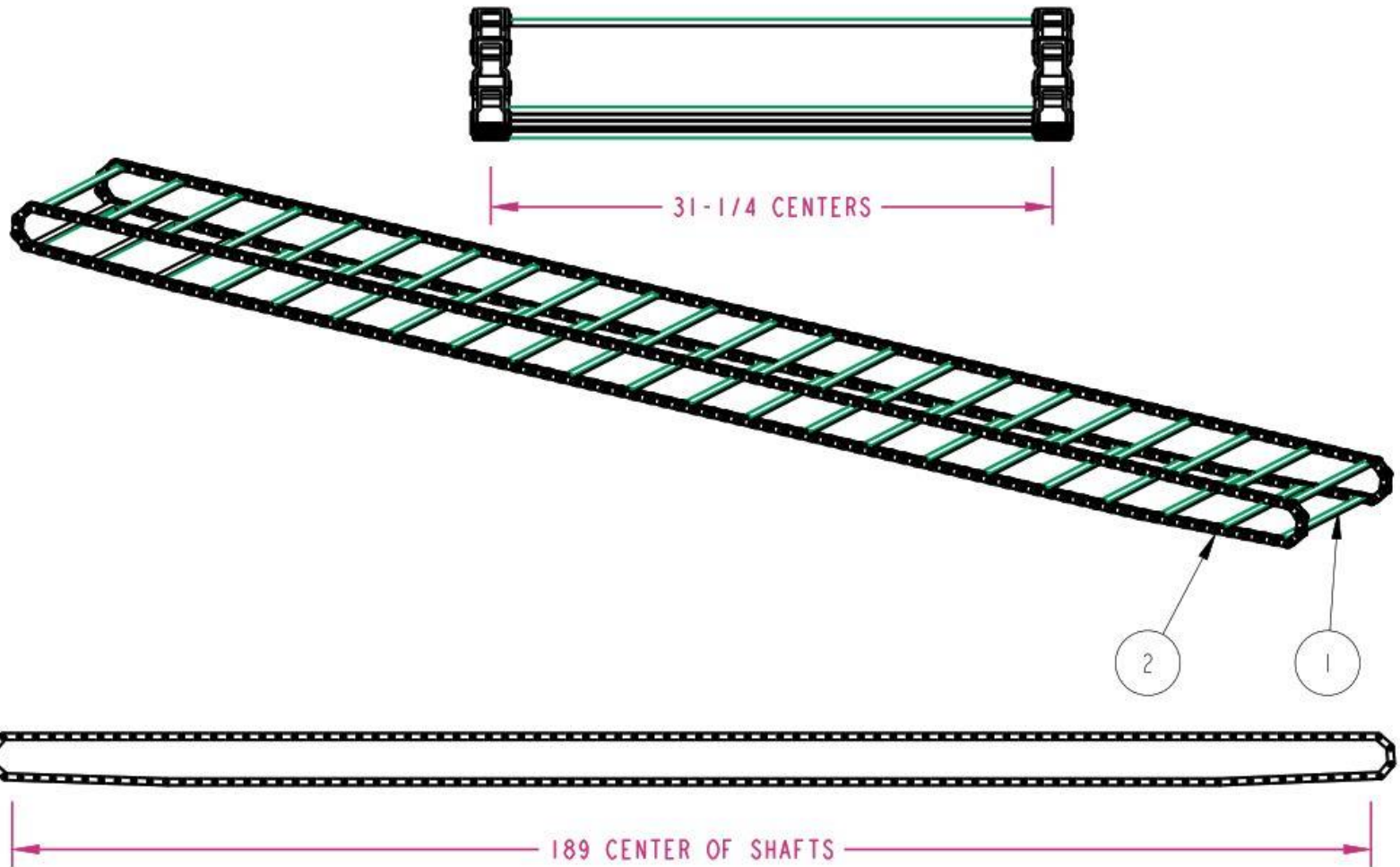


438.902	Mar-10-22	CHAIN - PINTLE #2 HD 14' - LS3420	300-32198	220393-02-NO2-HD
---------	-----------	-----------------------------------	-----------	------------------

3.1.4:Chain – Number 1 Heavy Duty 16'



ITEM	QTY.	PART NO.	WARREN PART NO.	DESCRIPTION	WEIGHT
1	44	200040-18	300-30288	CROSS BAR - PINTLE CHAIN - 34 IN - STD	3.925
2	352	FM-00930	700-30100	CHAIN - PINTLE - 667XH	0.420

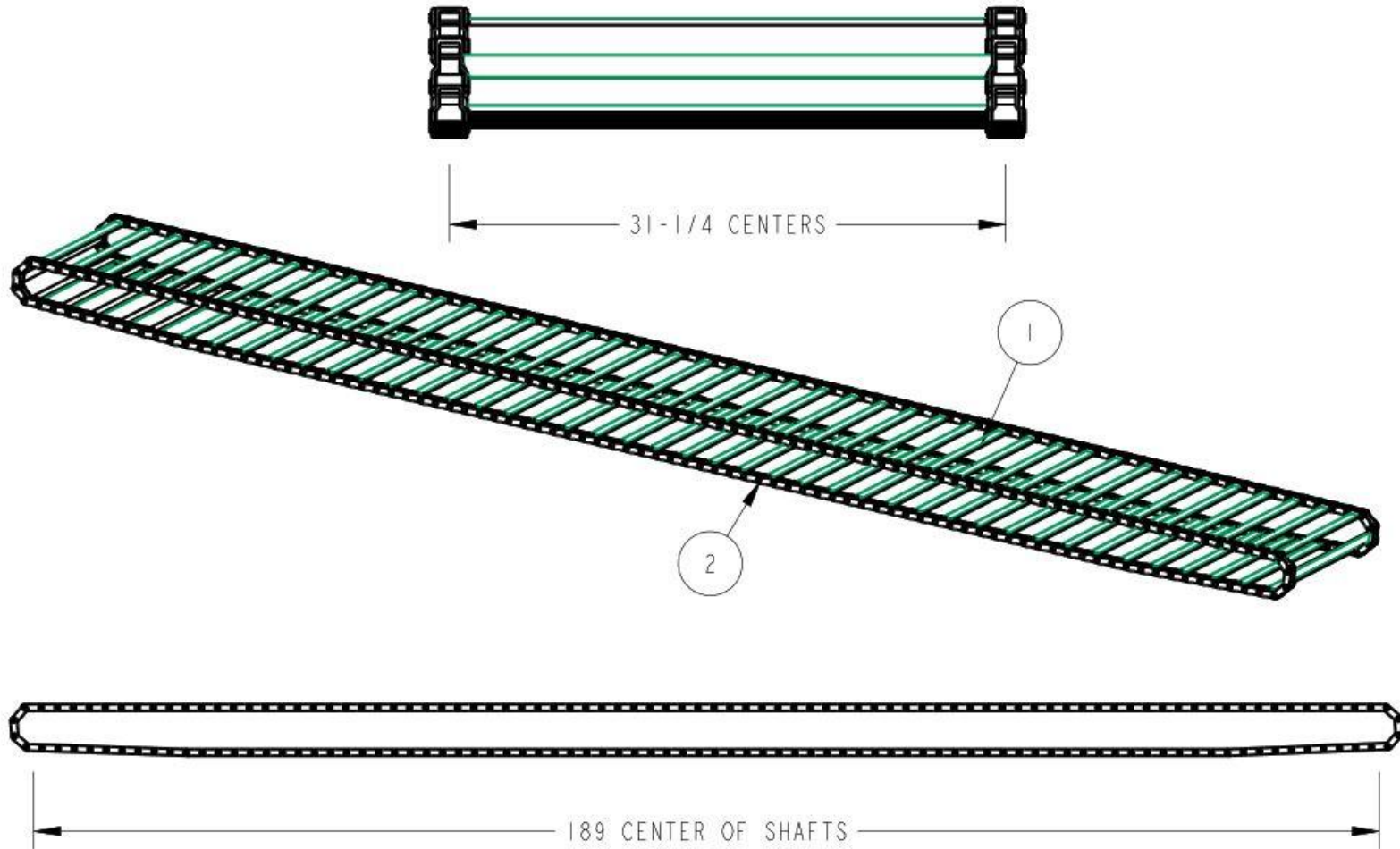


320.576	Mar-10-22	CHAIN - PINTLE #1 HD 16' - LS3420	300-32193	220393-03-NO1-HD
---------	-----------	-----------------------------------	-----------	------------------

3.1.5:Chain – Number 2 Heavy Duty 16'



ITEM	QTY.	PART NO.	WARREN PART NO.	DESCRIPTION	WEIGHT
1	89	200040-18	300-30288	CROSS BAR - PINTLE CHAIN - 34 IN - STD	3.925
2	354	FM-00930	700-30100	CHAIN - PINTLE - 667XH	0.420

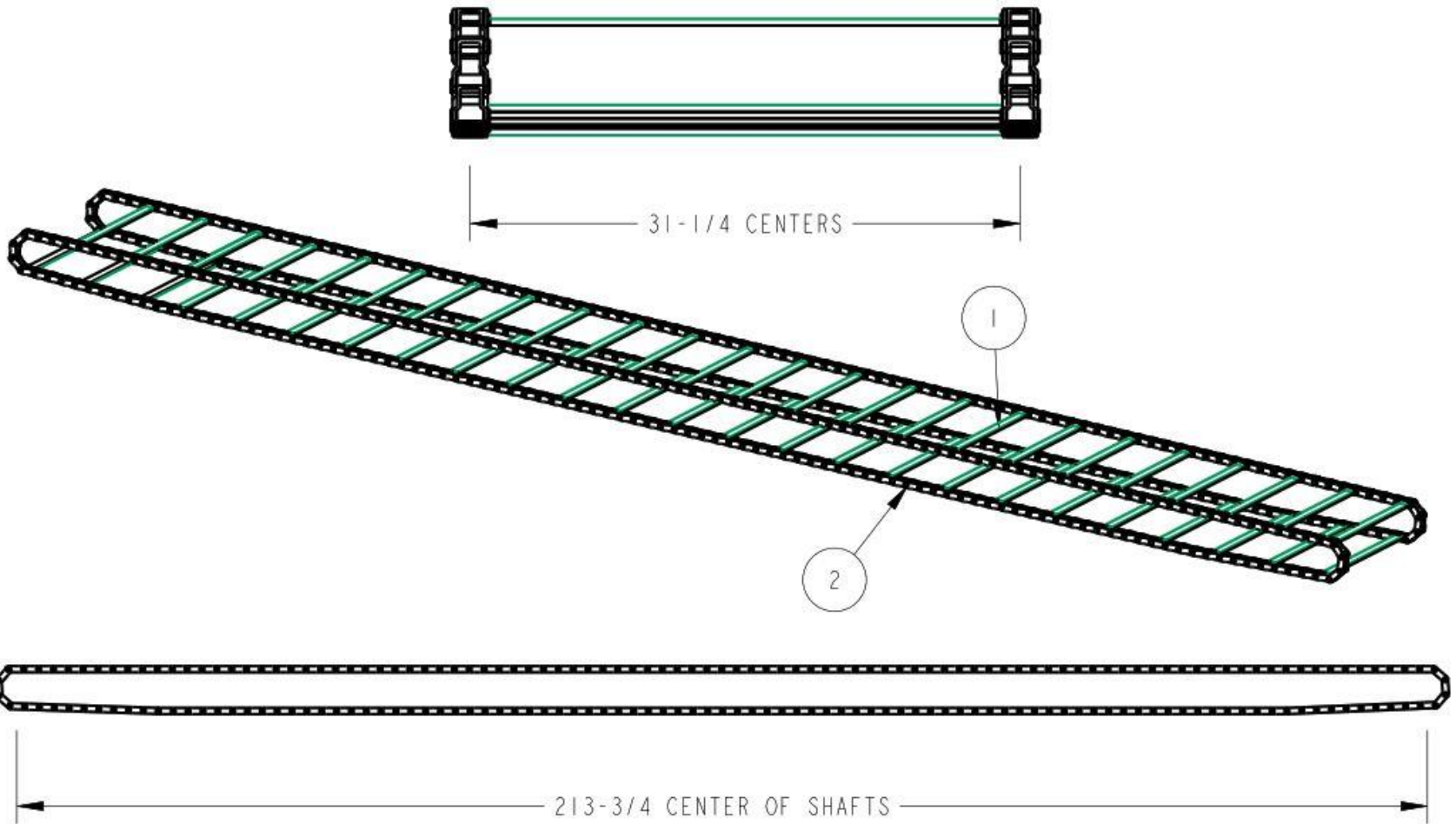


498.041	May-06-22	PINTLE CHAIN ASSEMBLY - #2 HD - 16' - 34 WIDE	300-32199	220393-03-NO2-HD
---------	-----------	---	-----------	------------------

3.1.6:Chain – Number 1 Heavy Duty 18'



ITEM	QTY.	PART NO.	WARREN PART NO.	DESCRIPTION	WEIGHT
1	50	200040-18	300-30288	CROSS BAR - PINTLE CHAIN - 34 IN - STD	3.925
2	400	FM-00930	700-30100	CHAIN - PINTLE - 667XH	0.420

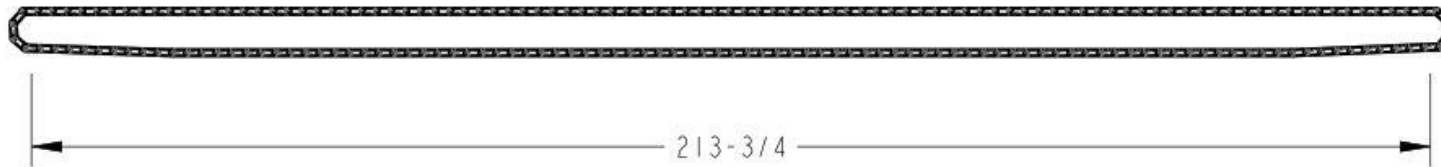
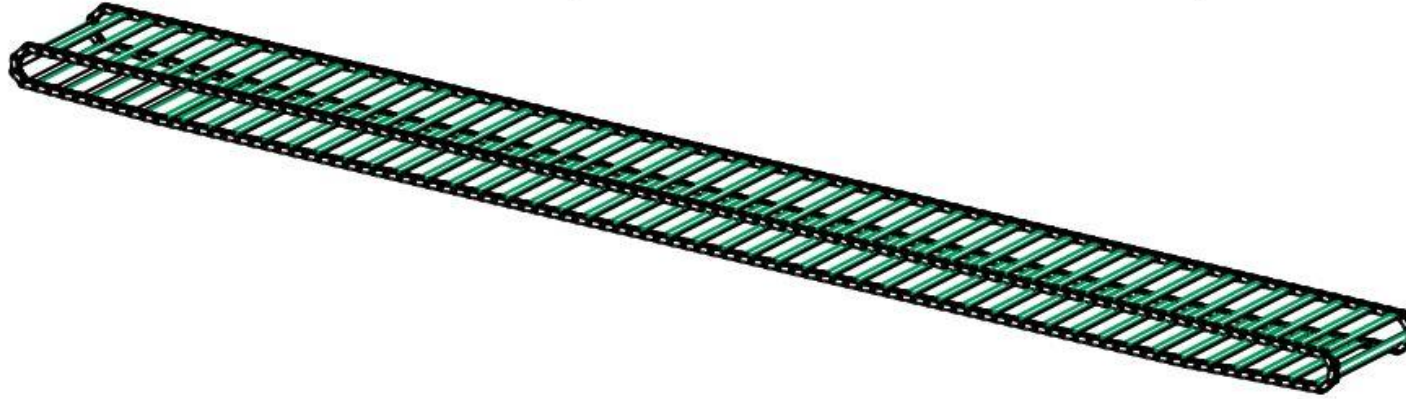
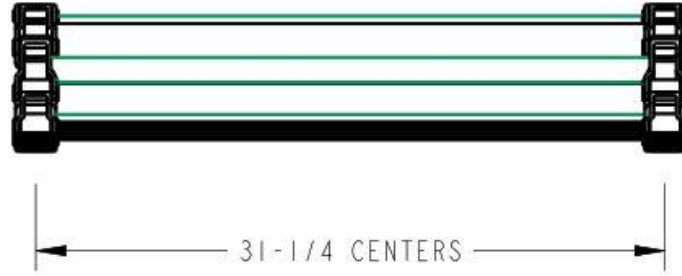


364.291	Mar-10-22	CHAIN - PINTLE #1 HD 18' - LS3420	300-32194	220393-04-NOI-HD
---------	-----------	-----------------------------------	-----------	------------------

3.1.7:Chain – Number 2 Heavy Duty 18'



ITEM	QTY.	PART NO.	WARREN PART NO.	DESCRIPTION	WEIGHT
1	100	200040-18	300-30288	CROSS BAR - PINTLE CHAIN - 34 IN - STD	3.925
2	400	FM-00930	700-30100	CHAIN - PINTLE - 667XH	0.420

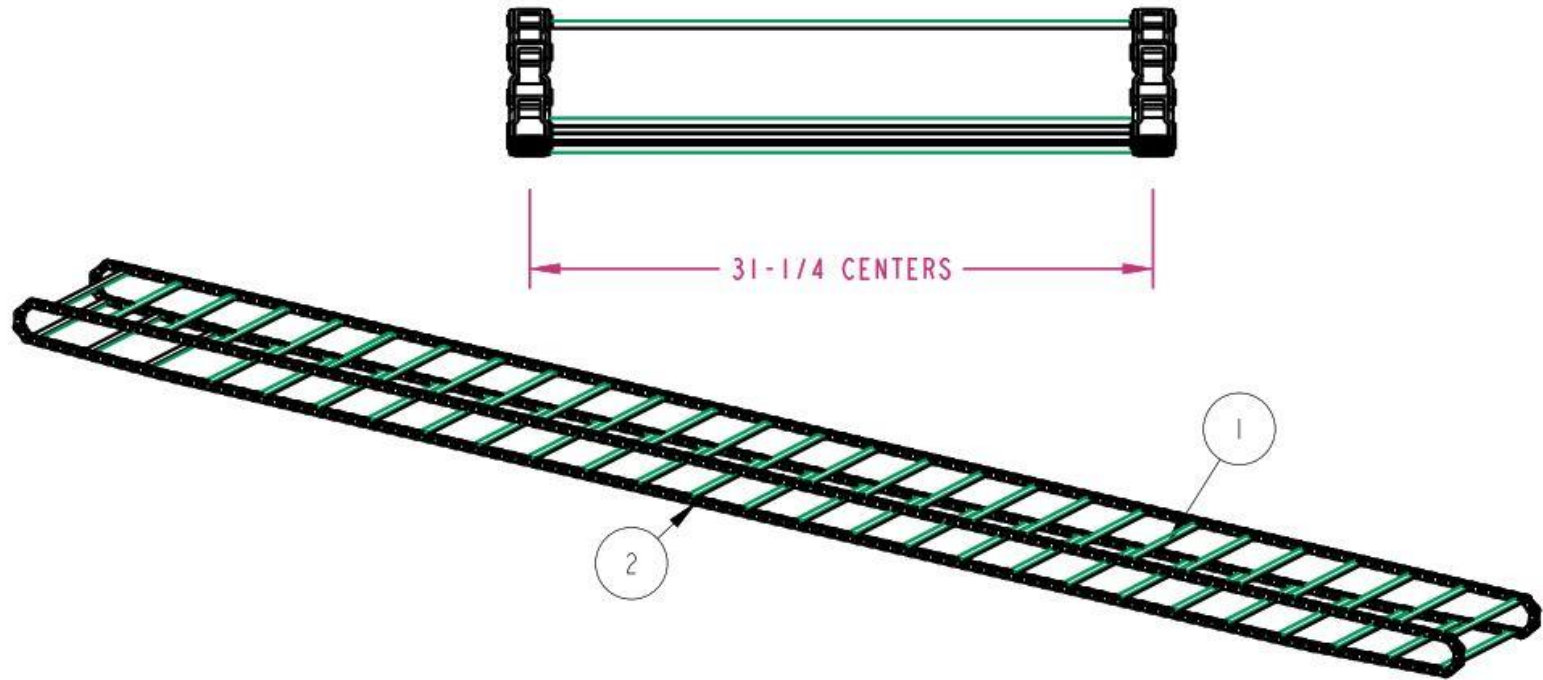


560.540	May-05-22	PINTLE CHAIN ASSEMBLY - #2 HD - 18' - 34 WIDE	300-32200	220393-04-N02-HD
---------	-----------	---	-----------	------------------

3.1.8:Chain – Number 1 Heavy Duty 20'



ITEM	QTY.	PART NO.	WARREN PART NO.	DESCRIPTION	WEIGHT
1	55	200040-18	300-30288	CROSS BAR - PINTLE CHAIN - 34 IN - STD	3.925
2	440	FM-00930	700-30100	CHAIN - PINTLE - 667XH	0.420

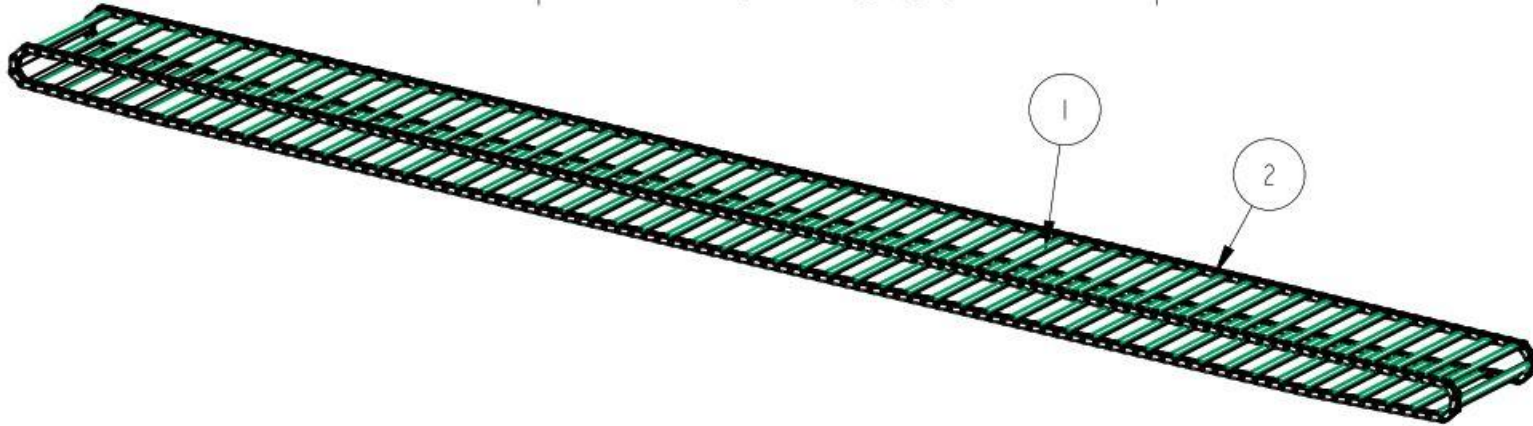
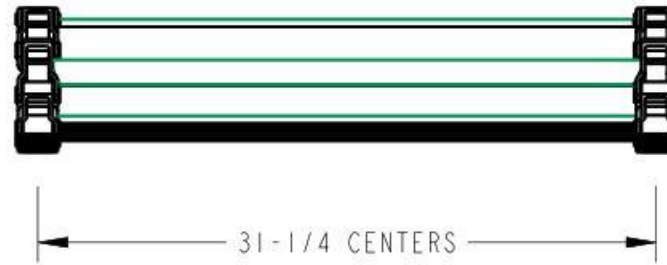


400.721	Mar-10-22	CHAIN - PINTLE #1 HD 20' - LS3420	300-32195	220393-05-NO1-HD
---------	-----------	-----------------------------------	-----------	------------------

3.1.9:Chain – Number 2 Heavy Duty 20'



ITEM	QTY.	PART NO.	WARREN PART NO.	DESCRIPTION	WEIGHT
1	111	200040-18	300-30288	CROSS BAR - PINTLE CHAIN - 34 IN - STD	3.925
2	442	FM-00930	700-30100	CHAIN - PINTLE - 667XH	0.420

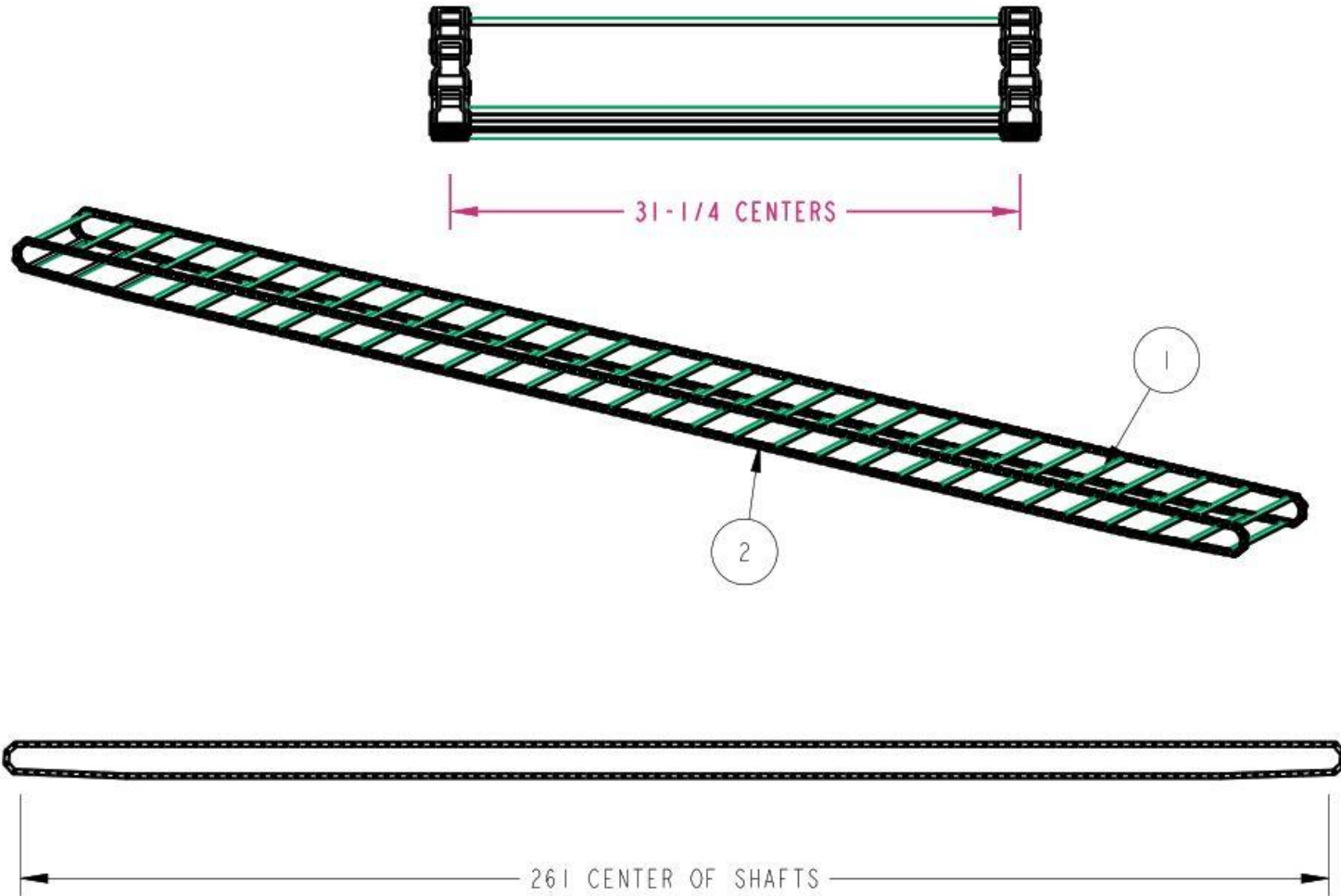


621.360	Apr-08-22	PINTLE CHAIN ASSEMBLY - #2 HD - 20' - 34 WIDE	300-32201	220393-05-NO2-HD
---------	-----------	---	-----------	------------------

3.1.10:Chain – Number 1 Heavy Duty 22'



ITEM	QTY.	PART NO.	WARREN PART NO.	DESCRIPTION	WEIGHT
1	60	200040-18	300-30288	CROSS BAR - PINTLE CHAIN - 34 IN - STD	3.925
2	482	FM-00930	700-30100	CHAIN - PINTLE - 667XH	0.420

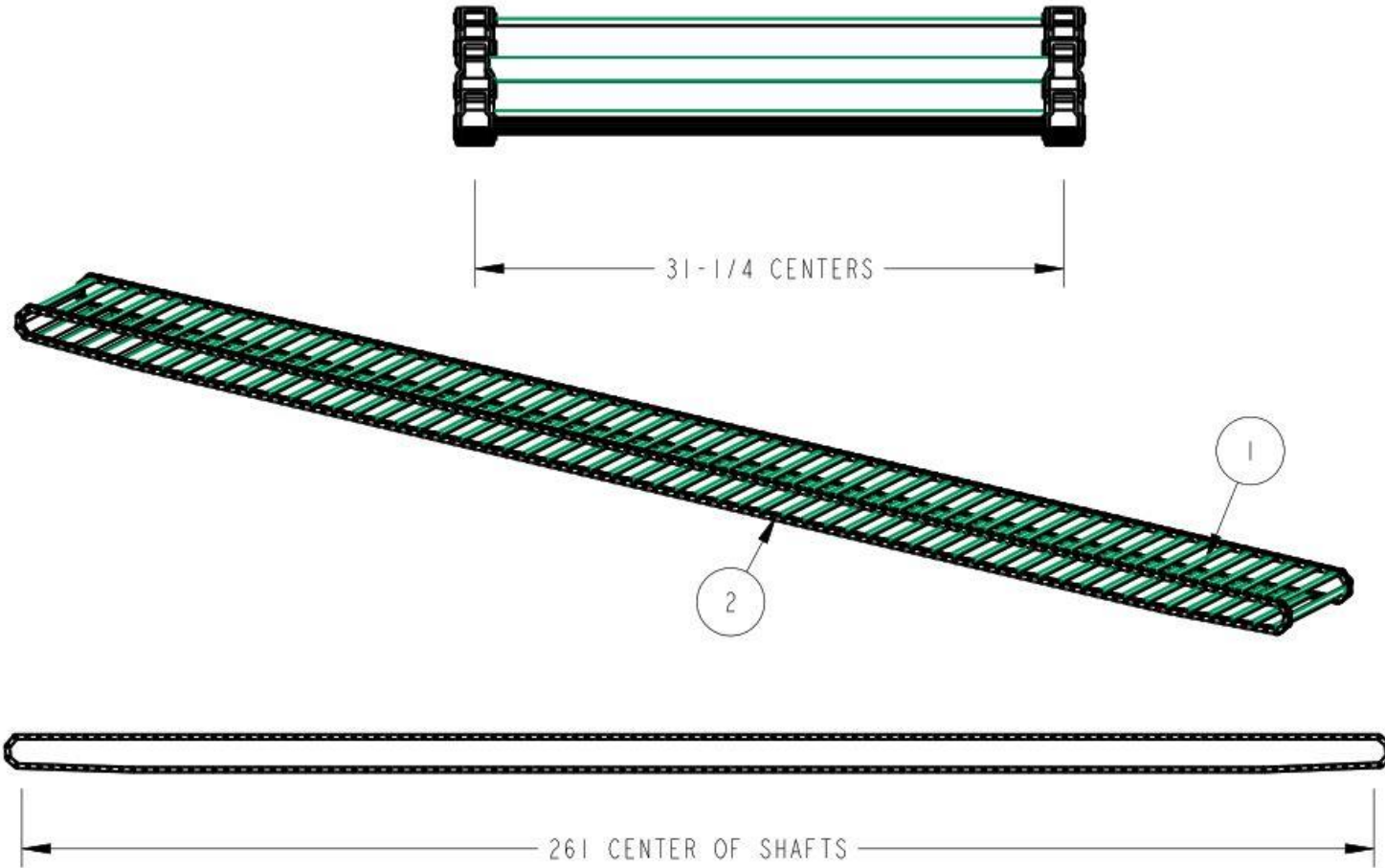


437.990	Mar-10-22	PINTLE CHAIN ASSEMBLY - #1 HD - 22' - 34 WIDE	300-32196	220393-06-NO1-HD
---------	-----------	---	-----------	------------------

3.1.11:Chain – Number 2 Heavy Duty 22'



ITEM	QTY.	PART NO.	WARREN PART NO.	DESCRIPTION	WEIGHT
1	121	200040-18	300-30288	CROSS BAR - PINTLE CHAIN - 34 IN - STD	3.925
2	482	FM-00930	700-30100	CHAIN - PINTLE - 667XH	0.420

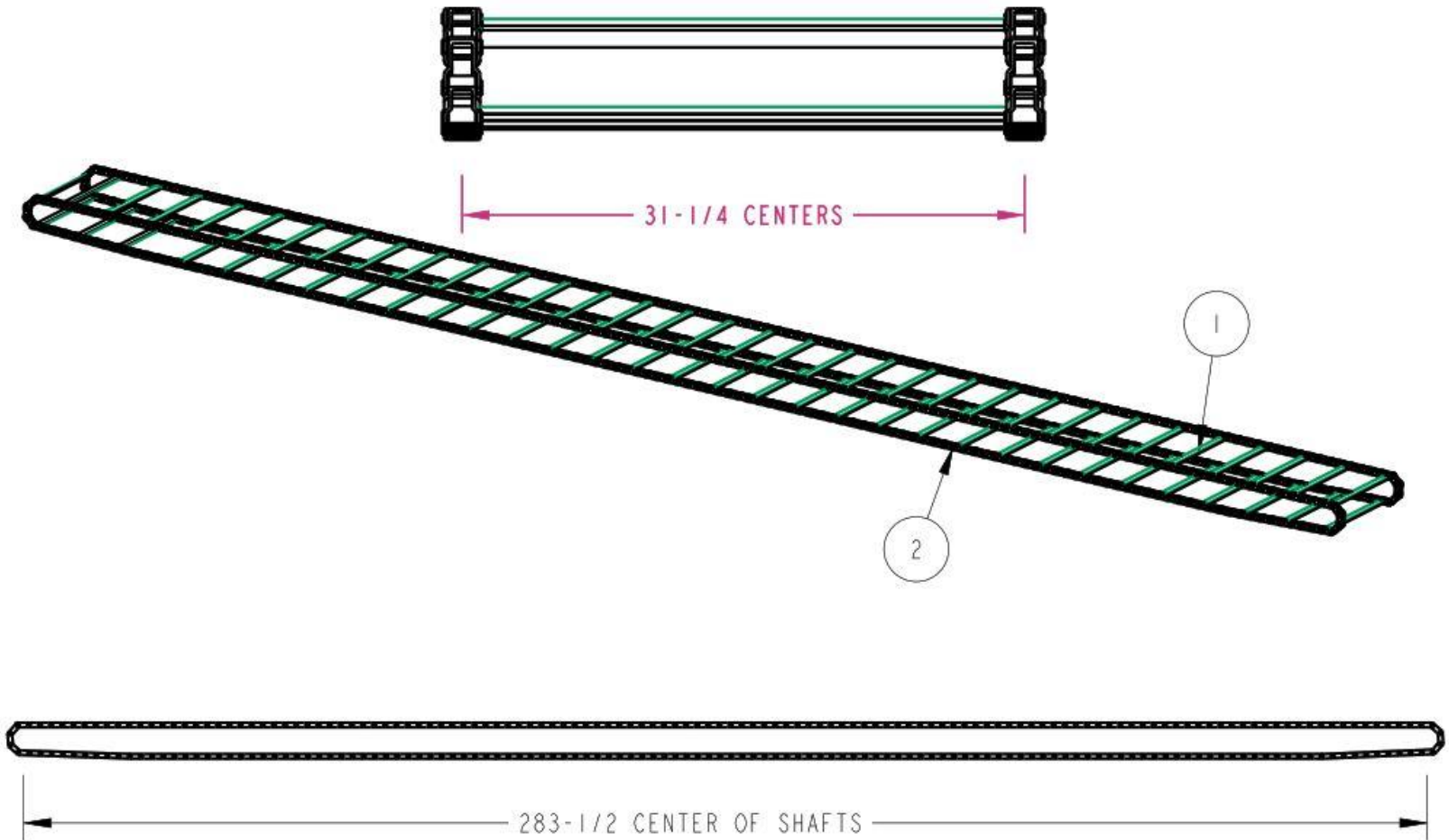


677.414	May-06-22	PINTLE CHAIN ASSEMBLY - #2 HD - 22' - 34 WIDE	300-32202	220393-06-NO2-HD
---------	-----------	---	-----------	------------------

3.1.12:Chain – Number 1 Heavy Duty 24'



ITEM	QTY.	PART NO.	WARREN PART NO.	DESCRIPTION	WEIGHT
1	65	200040-18	300-30288	CROSS BAR - PINTLE CHAIN - 34 IN - STD	3.925
2	524	FM-00930	700-30100	CHAIN - PINTLE - 667XH	0.420

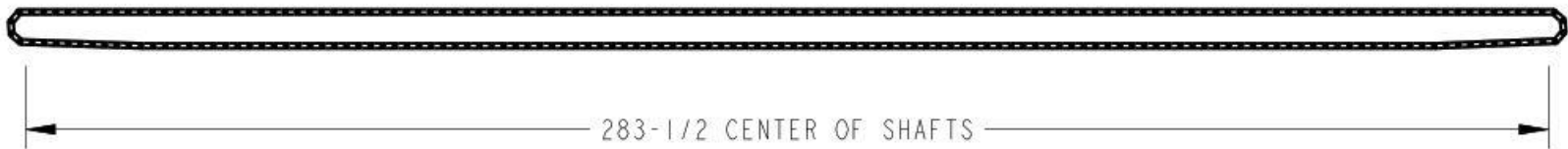
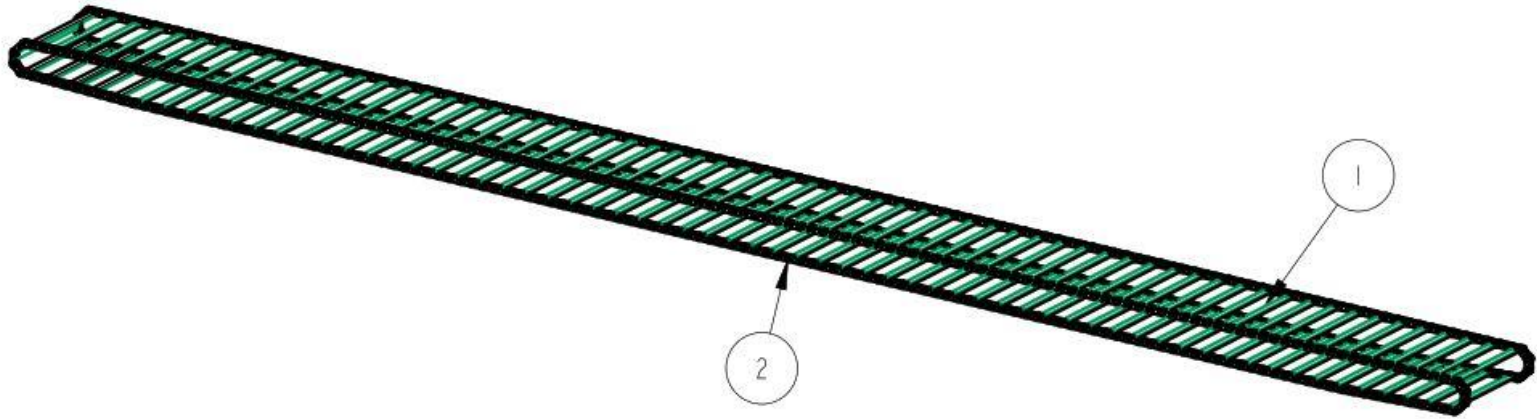
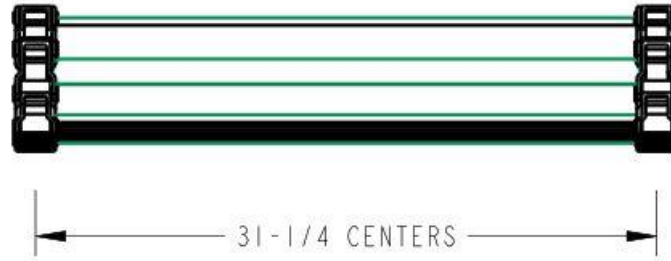


475.259	Mar-10-22	PINTLE CHAIN ASSEMBLY - #1 HD - 24' - 34 WIDE	300-32197	220393-07-NO1-HD
---------	-----------	---	-----------	------------------

3.1.13:Chain – Number 2 Heavy Duty 24'



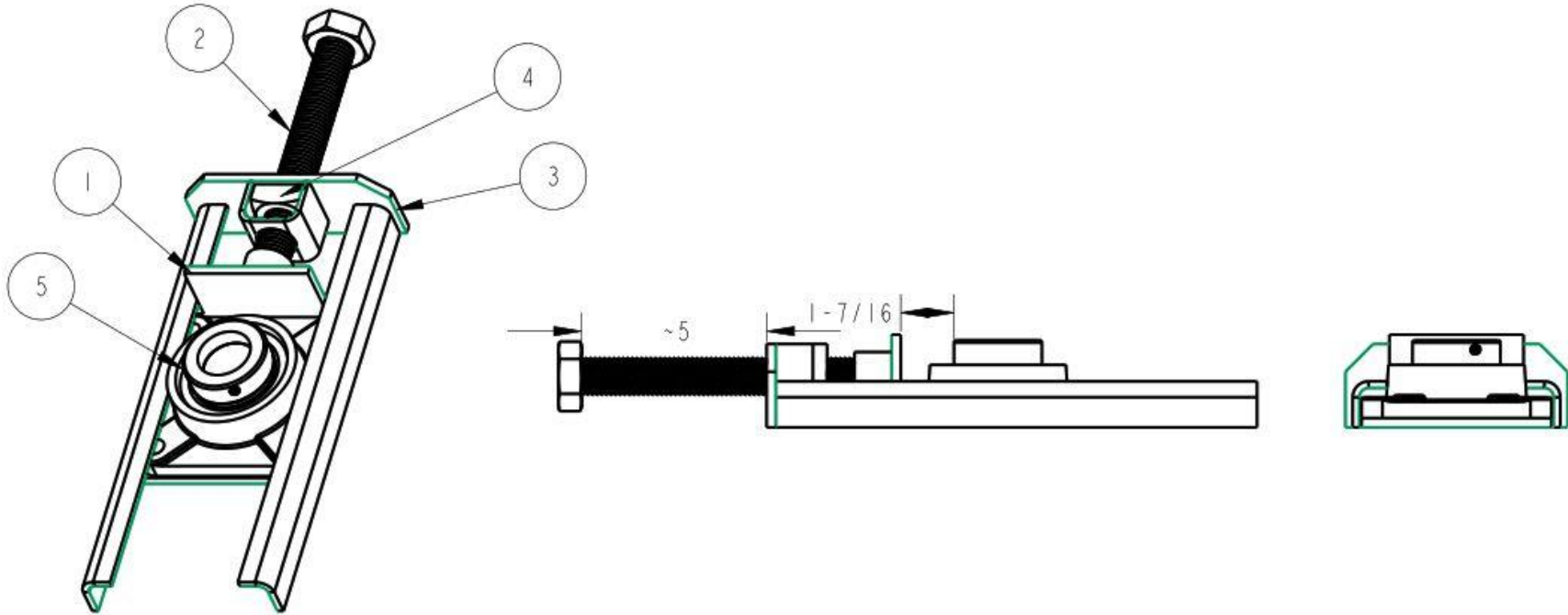
ITEM	QTY.	PART NO.	WARREN PART NO.	DESCRIPTION	WEIGHT
1	131	200040-18	300-30288	CROSS BAR - PINTLE CHAIN - 34 IN - STD	3.925
2	532	FM-00930	700-30100	CHAIN - PINTLE - 667XH	0.420



737.669	Mar-10-22	PINTLE CHAIN ASSEMBLY - #2 HD - 24' - 34 WIDE	300-32203	220393-07-NO2-HD
---------	-----------	---	-----------	------------------

3.1.14:Take-up Assembly

ITEM	QTY.	PART NO.	WARREN PART NO.	DESCRIPTION	WEIGHT
1	1	220007-42	300-30225	BACK PL AND BOLT GUIDE WELDMENT - AC / LF	2.403
2	1	A220156-05	300-30561	ADJUSTMENT BOLT ASSEMBLY - LS / LST	1.967
3	1	A220156-06	300-30562	TAKE-UP BRACKET WELDMENT - LS / LST	3.517
4	1	FF-00215	900-80090	NUT - SQUARE - 1 IN. NC	0.267
5	1	FM-00250	700-80011	BEARING - 1-1/2 IN - 4 BOLT FLANGE	5.966



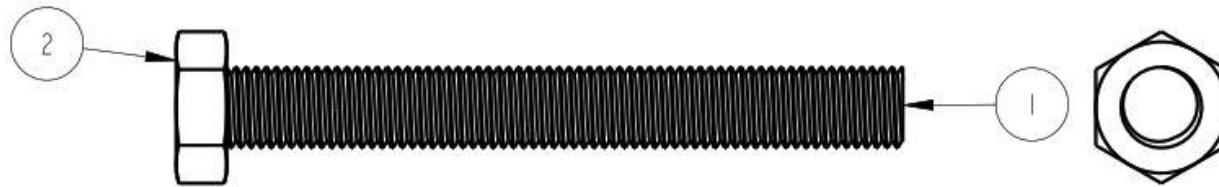
UNLESS OTHERWISE SPECIFIED, ALL WELDS TO BE CONTINUOUS. SIZE OF WELD TO BE AT LEAST THE THICKNESS OF THE THINNER OF THE ADJACENT METALS.

TOLERANCE-UNLESS OTHERWISE SPECIFIED.
 DECIMAL ± .0625 FRACTIONAL ± /16 ANGULAR ± 1°

OP. #	OPERATION	MACH #	W/O#	 WARREN COLLINS, MS. TAKE-UP - LS / LST		SCALE	REQ'D.
			DATE			DRAWN	DATE
			QTY.				WEIGHT
			DEST.			WARREN PART NO.	
			MATERIAL			NUMBER	
				NA		1/4	
						PK	Mar-29-22
							14.120
							300-30564
							B220156-07


3.1.15:Take-up Bolt Assembly

ITEM	QTY.	PART NO.	WARREN PART NO.	DESCRIPTION	WEIGHT
1	1	A200269-07	300-30552	BOLT - TAKE-UP ADJUSTMENT	1.701
2	1	FF-00138	900-80088	1-8 HEX FINISH NUT ZN	0.271



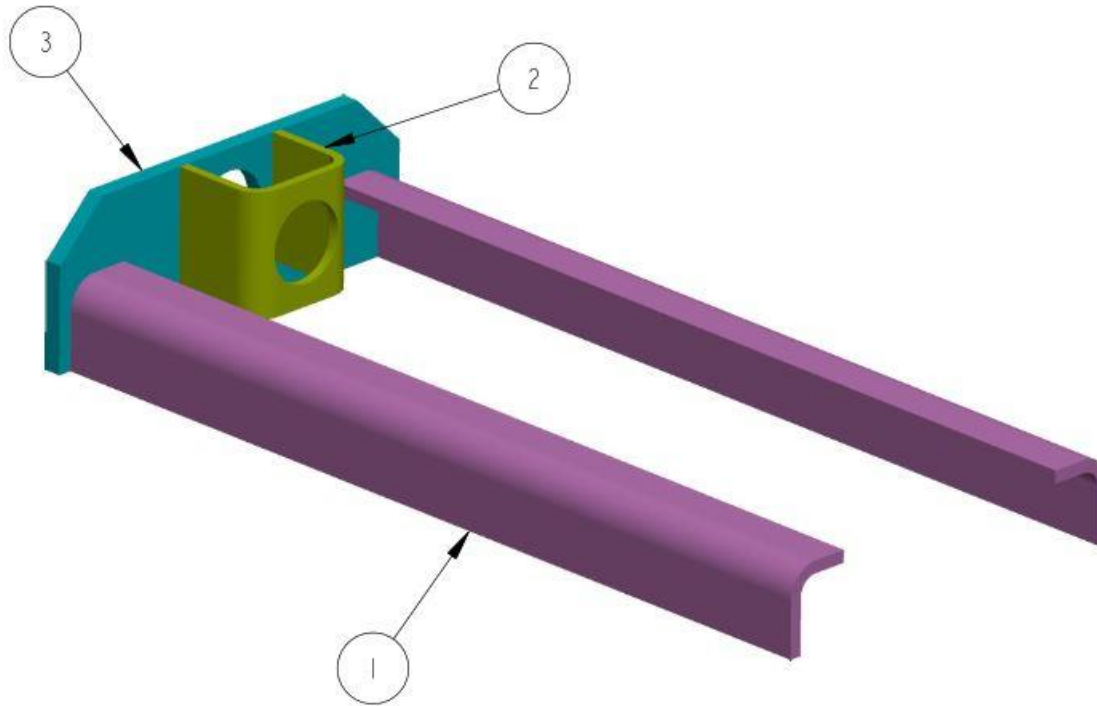
UNLESS OTHERWISE SPECIFIED, ALL WELDS TO BE CONTINUOUS. SIZE OF WELD TO BE AT LEAST THE THICKNESS OF THE THINNER OF THE ADJACENT METALS.

TOLERANCE-UNLESS OTHERWISE SPECIFIED.
 DECIMAL $\pm .0625$ FRACTIONAL $\pm /16$ ANGULAR $\pm 1^\circ$

OP. #	OPERATION	MACH #	W/O#	 WARREN COLLINS, MS.	SCALE	REQ'D.
			DATE		1/2	
			QTY.		DRAWN	DATE
			DEST.		PK	17-Oct-07
						WEIGHT
						1.967
				NAME	WARREN PART NO.	
				ADJUSTMENT BOLT ASSEMBLY - LS / LST	300-30561	
				MATERIAL	NUMBER	
				NA	A220156-05	


3.1.16:Take-up Assembly Weldment

ITEM	QTY.	PART NO.	WARREN PART NO.	DESCRIPTION	WEIGHT
1	2	200022-07	300-30265	RAIL - SIDE - FOR TAKE-UP ASSEMBLY - LS/LST	1.220
2	1	200024-01	300-30164	RETAINER - NUT - FOR TAKE-UP BRACKET	0.229
3	1	200025-03	300-30165	END PLATE - FOR TAKE-UP BRACKET - AC/EAC/LF - MS0.847	

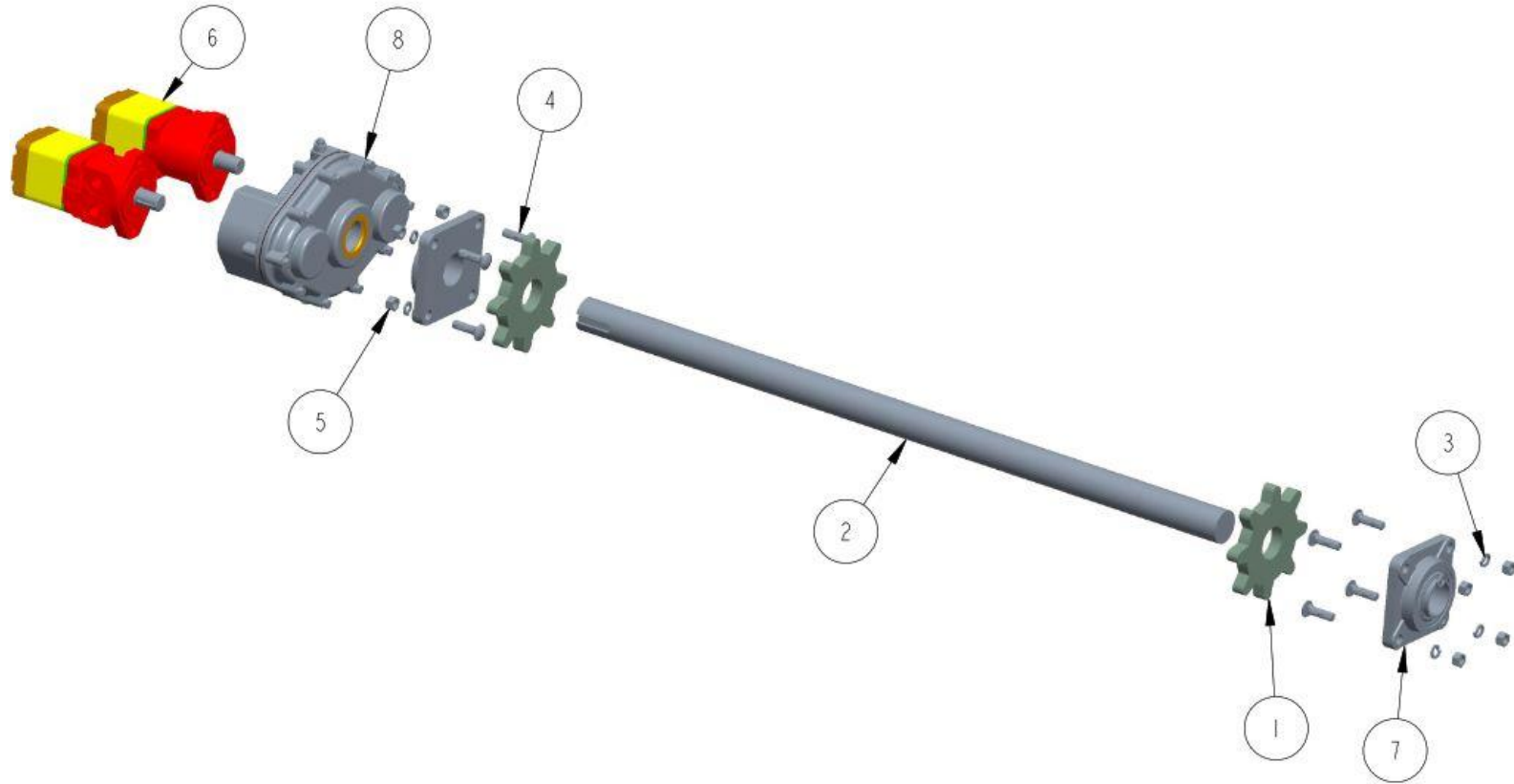


UNLESS OTHERWISE SPECIFIED, ALL WELDS TO BE CONTINUOUS. SIZE OF WELD TO BE AT LEAST THE THICKNESS OF THE THINNER OF THE ADJACENT METALS.

TOLERANCE-UNLESS OTHERWISE SPECIFIED:
 DECIMAL ±.0625 FRACTIONAL ±/16 ANGULAR ±1°

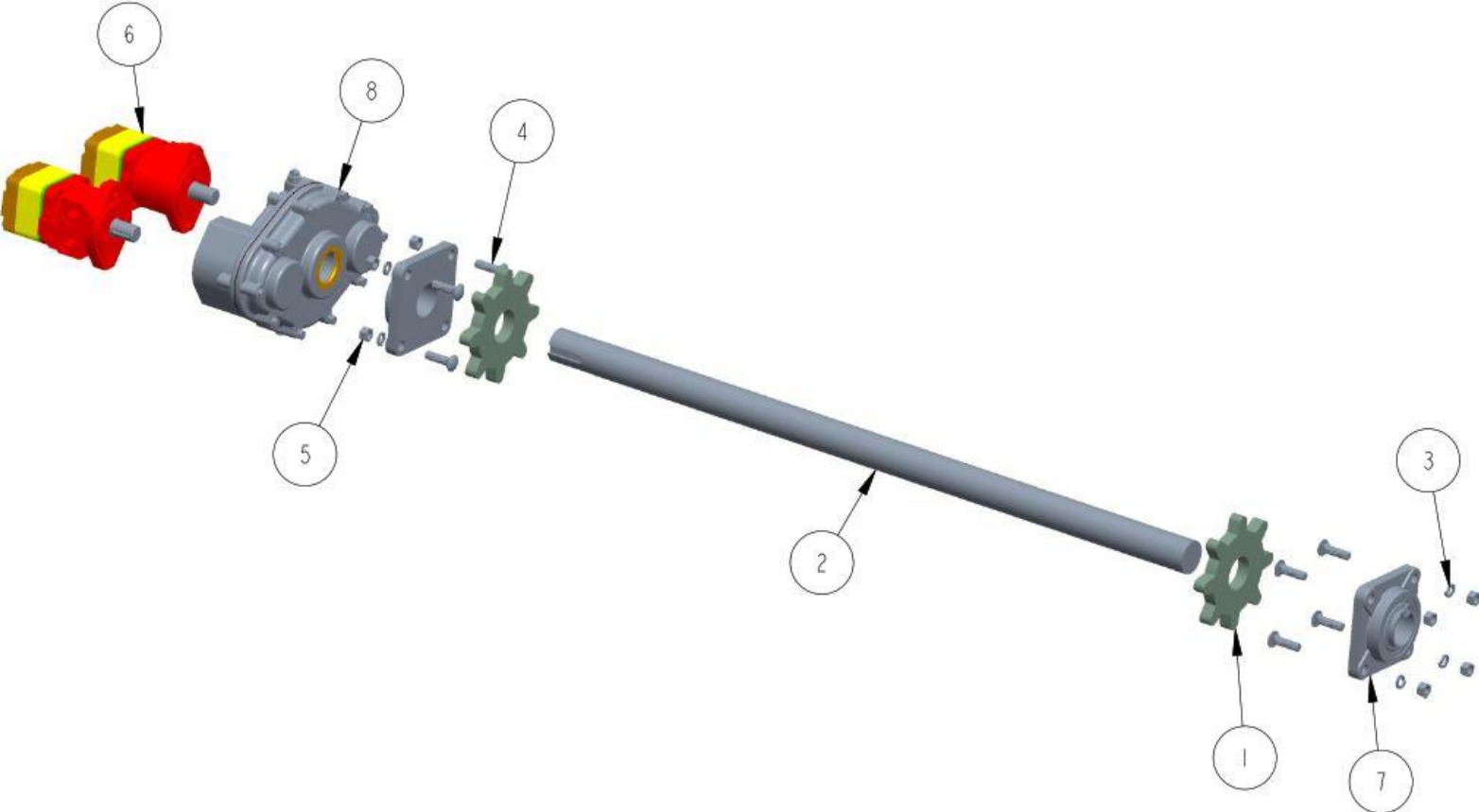
OP. #	OPERATION	MACH #	W/O#	 WARREN COLLINS, MS.	SCALE	REQ'D.
			DATE		1/2	
			QTY.		DRAWN	DATE
			DEST.		PK	Aug-25-21
						WEIGHT
						3.517
				NAME	WARREN PART NO.	
				TAKE-UP BRACKET WELDMENT - LS / LST	300-30562	
				MATERIAL	NUMBER	
				NA	A220156-06	

3.1.17:LS Drive Assembly – High Torque Motors



LS DUAL DRIVE - 8 TOOTH SPROCKETS - HIGH TORQUE MOTORS

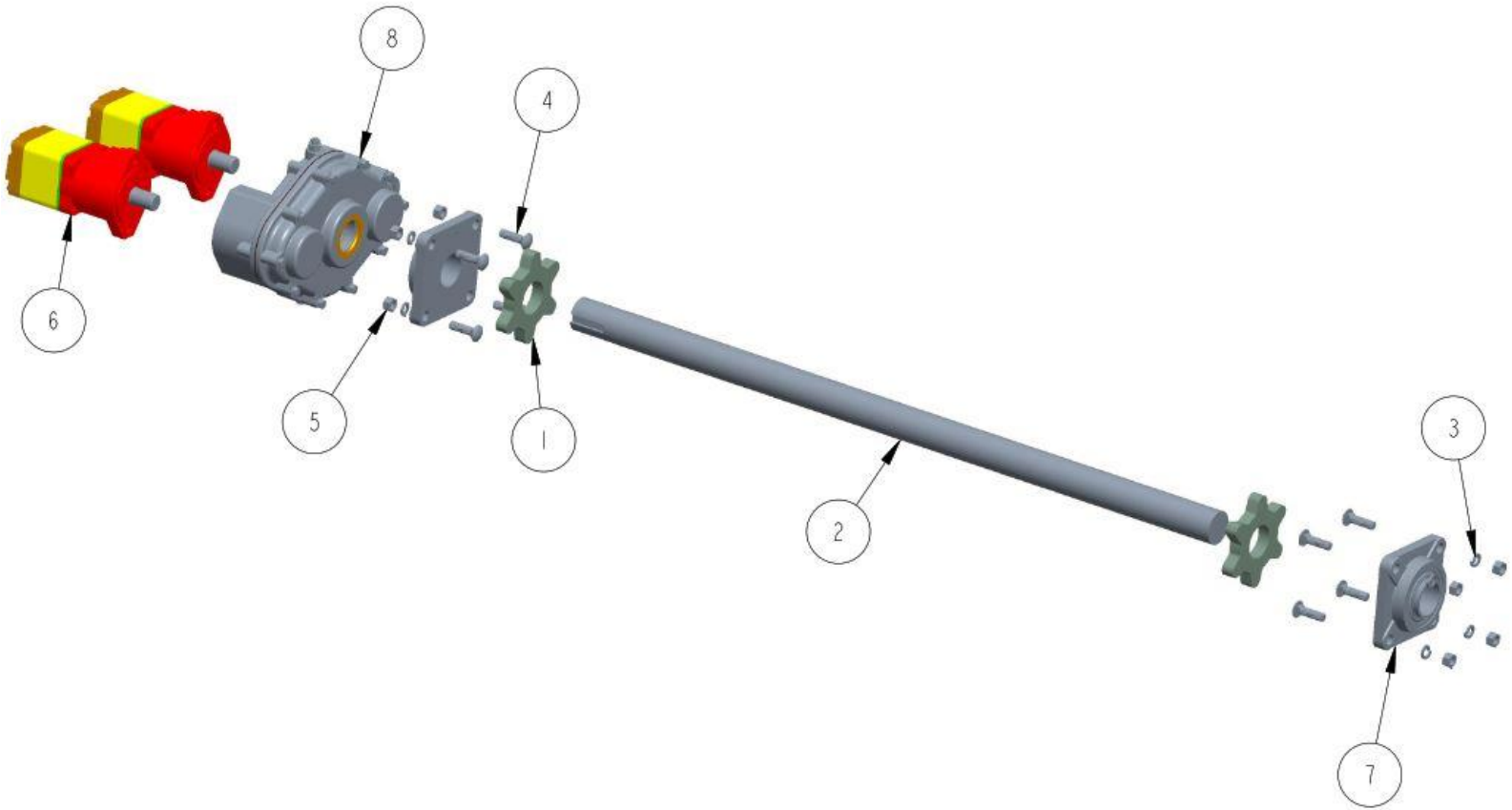
<u>ITEM</u>	<u>QTY.</u>	<u>WARREN PART NO.</u>	<u>DESCRIPTION</u>
1	2	300-30020	SPROCKET - 8 TOOTH - FLAME CUT - 2 BORE
2	1	300-31889	SHAFT - DRIVE - 6:1 - 34" PAN - SINGLE GEARBOX
3	7	900-80019	1/2 SPLIT LOCKWASHER ZN
4	8	900-80037	BOLT-CARRIAGE-1/2-13 x 1 3/4 - ZN
5	8	900-80022	1/2-13 HEX FINISH NUT ZN
6	2	400-30011	WHITE RS 400 SERIES MOTOR
7	2	700-30046	BEARING-2" 4-BOLT FLANGE
8	1	700-30047	GEARBOX-HD DOUBLE 6:1 DUAL DRIVE



LS DUAL DRIVE - 8 TOOTH SPROCKETS - HIGH SPEED MOTORS

<u>ITEM</u>	<u>QTY.</u>	<u>WARREN PART NO.</u>	<u>DESCRIPTION</u>
1	2	300-30020	SPROCKET - 8 TOOTH - FLAME CUT - 2 BORE
2	1	300-31889	SHAFT - DRIVE - 6:1 - 34" PAN - SINGLE GEARBOX
3	7	900-80019	1/2 SPLIT LOCKWASHER ZN
4	8	900-80037	BOLT-CARRIAGE-1/2-13 x 1 3/4 - ZN
5	8	900-80022	1/2-13 HEX FINISH NUT ZN
6	2	400-30013	WHITE RS 200 SERIES MOTOR
7	2	700-30046	BEARING-2" 4-BOLT FLANGE
8	1	700-30047	GEARBOX-HD DOUBLE 6:1 DUAL DRIVE

3.1.19:LS Drive Assembly – 6 Tooth Sprockets



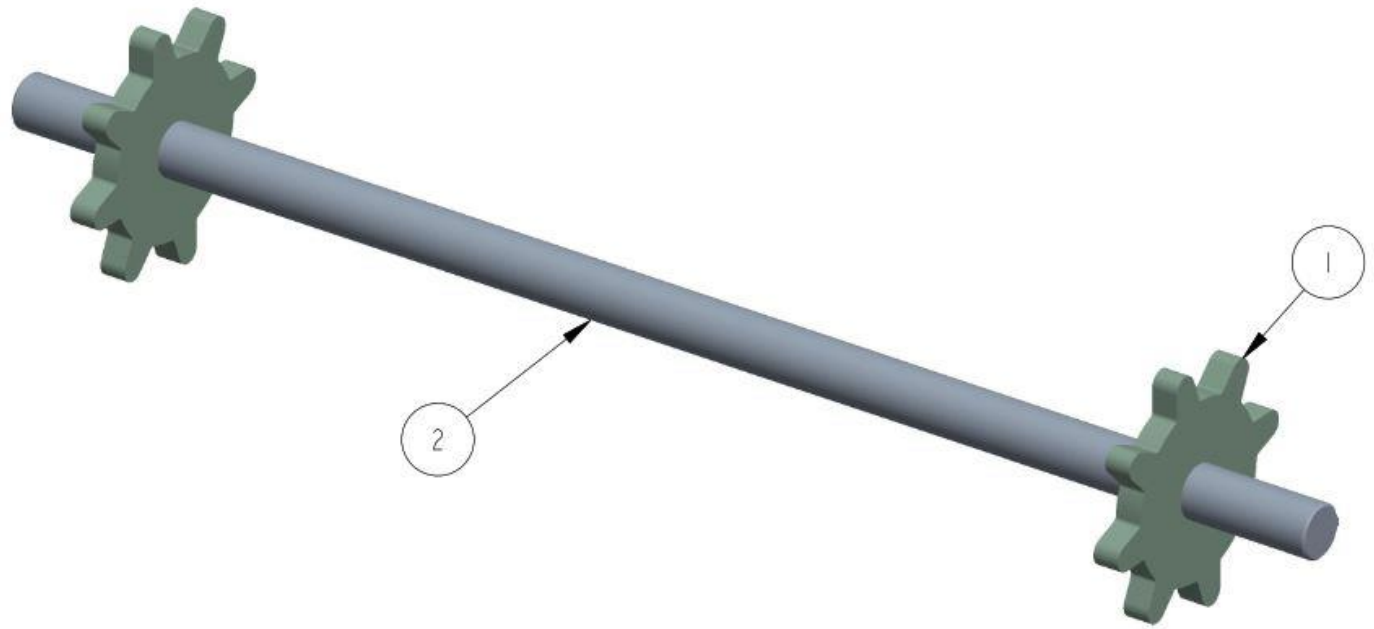
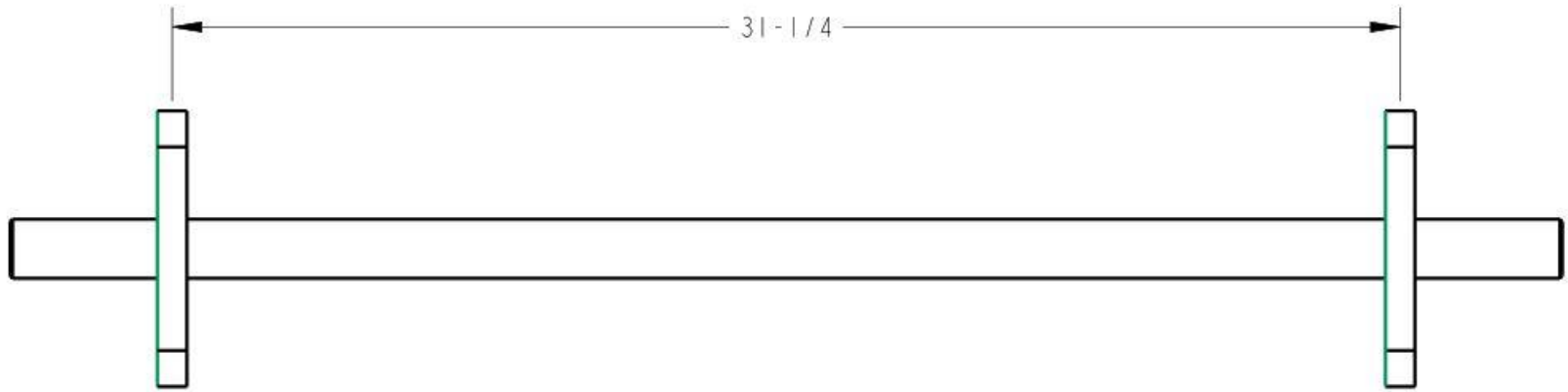
LS DUAL DRIVE - 6 TOOTH SPROCKETS - HIGH TORQUE MOTORS

<u>ITEM</u>	<u>QTY.</u>	<u>WARREN PART NO.</u>	<u>DESCRIPTION</u>
1	2	300-30424	SPROCKET - 6 TOOTH - FLAME CUT - 2 BORE
2	1	300-31889	SHAFT - DRIVE - 6:1 - 34" PAN - SINGLE GEARBOX
3	7	900-80019	1/2 SPLIT LOCKWASHER ZN
4	8	900-80037	BOLT-CARRIAGE-1/2-13 x 1 3/4 - ZN
5	8	900-80022	1/2-13 HEX FINISH NUT ZN
6	2	400-30011	WHITE RS 400 SERIES MOTOR
7	2	700-30046	BEARING-2" 4-BOLT FLANGE
8	1	700-30047	GEARBOX-HD DOUBLE 6:1 DUAL DRIVE

3.1.20:LS Idler Assembly

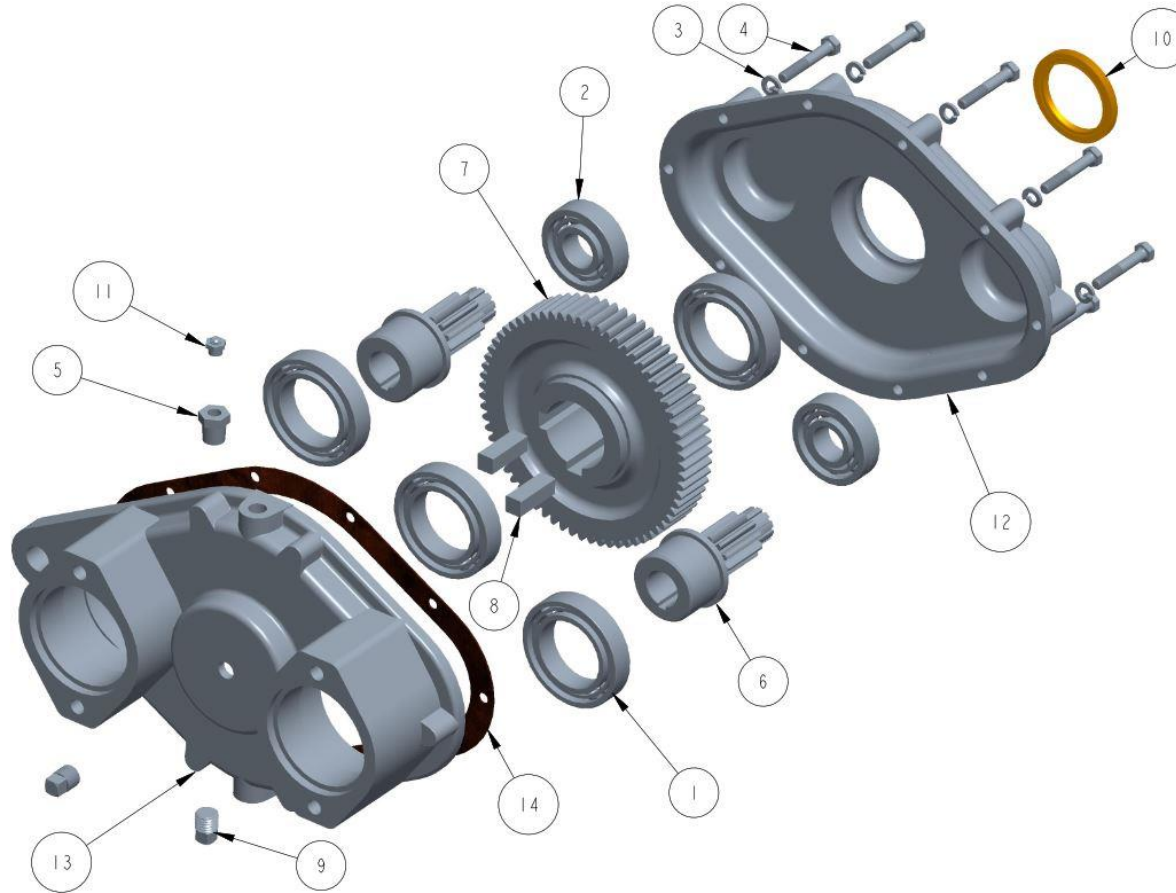


ITEM	QTY.	PART NO.	WARREN PART NO.	DESCRIPTION	WEIGHT
1	2	200170-03	300-30021	SPROCKET - 8 TOOTH - FLAME CUT - 1 1/2 BORE	5.136
2	1	200571-19	300-30557	SHAFT - IDLER - 34 WIDE	19.791



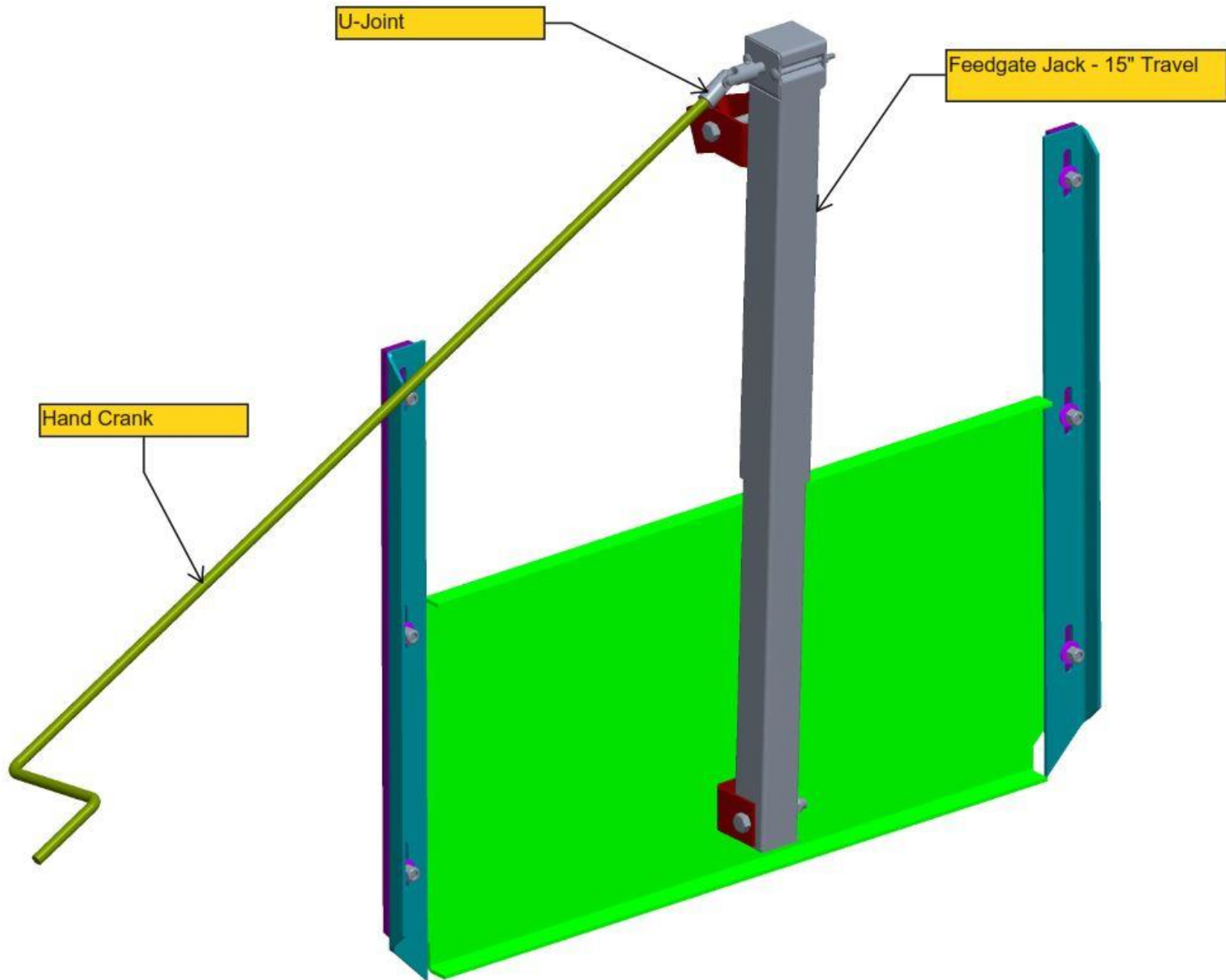
30.063	Feb-01-23	IDLER SHAFT & SPROCKETS - 34 WIDE - 8 TOOTH SPROCKETS	300-32160	LS-IDLER-34-8T
--------	-----------	---	-----------	----------------

3.1.21: Dual Drive Gearbox



ITEM	QTY.	WARREN PART NO.	DESCRIPTION
1	4	700-30043	BEARING-GEARBOX 700-30034/700-30047
2	2	700-30042	BEARING-GEARBOX 700-30034/700-30047
3	10	900-80143	5/16 SPLIT LOCKWASHER ZN
4	10	900-80163	5/16-18 X 2 HEX CAP SCREW GR 5 ZN
5	1	400-80153	BUSHING-3/8"NPTMX1/4"NPTFM-BP
6	2	700-30038	PINION-GEARBOX - 11T - 700-30034/700-30047
7	1	700-30039	GEAR-GEARBOX - 67T - 700-30034/700-30047
8	2		KEYWAY - 1/2 X 1/2 X 1-1/2 - X000-4200-E0544
9	2	400-80161	PLUG-PIPE-3/8"NPT-SQ HD-BP
10	1	700-30041	SEAL-GEARBOX 700-30034/700-30047
11	1		PLUG-VENT - 5 PSI - 2003PR
12	1		HOUSING - INNER - IP39-032M-E0153
13	1		HOUSING - OUTER - IP39-031M-G0312
14	1		GASKET - DUAL 6:1 - IP39-4500-E0157

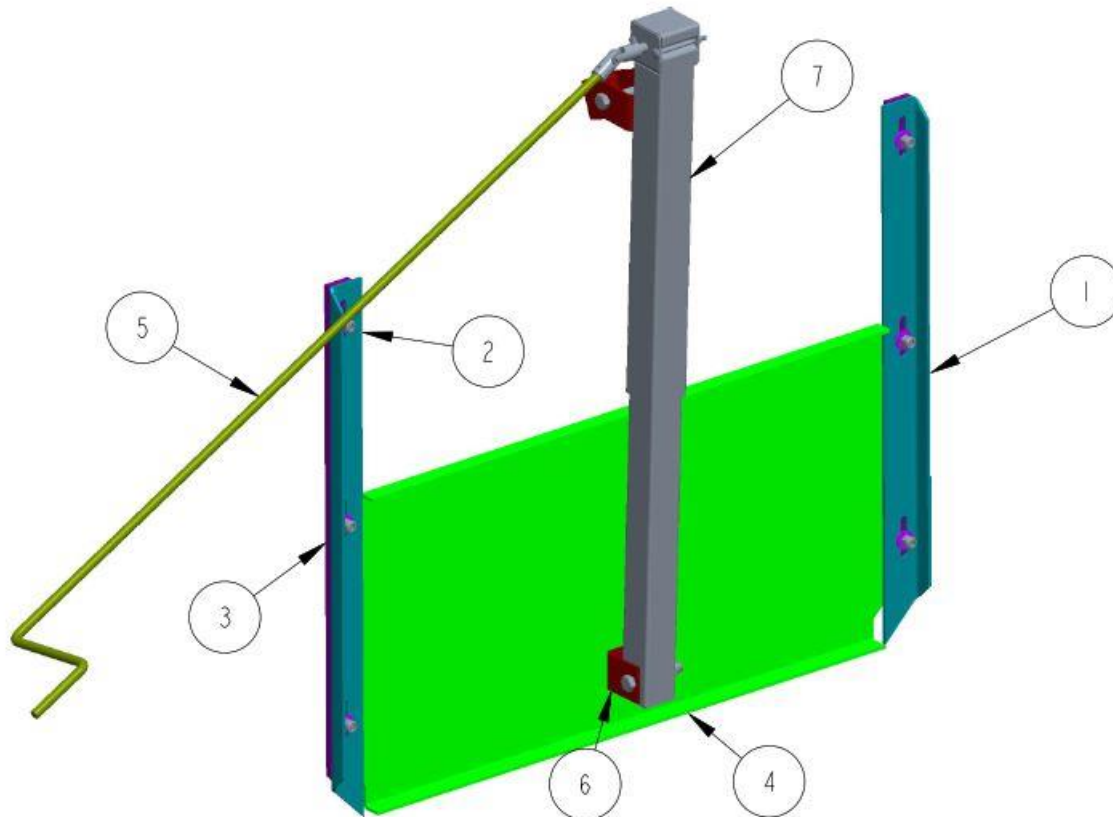
4.1: Feedgate



4.1.1:Crank Style Feedgate



ITEM	QTY.	PART NO.	WARREN PART NO.	DESCRIPTION	WEIGHT
1	1	200016-03	300-30157	RETAINER -FEEDGATE - RH	4.169
2	1	200016-04	300-30158	RETAINER -FEEDGATE - LH	4.169
3	2	200017-02	300-30159	FEED GATE SPACER	4.300
4	1	200018-28	300-30544	FEED GATE - 34 WIDE	33.933
5	1	200019-10	300-30262	FEEDGATE JACK HANDLE - LS-34	3.039
6	2	200020-02	300-30162	BRACKET - FEEDGATE JACK MOUNTING	0.512
7	1	220034-03	300-30027	JACK ASSEMBLY - FEEDGATE	12.125
8	2	FF-00087	900-80025	1/2-13 NYLON INSERT LOCKNUT ZN	0.045

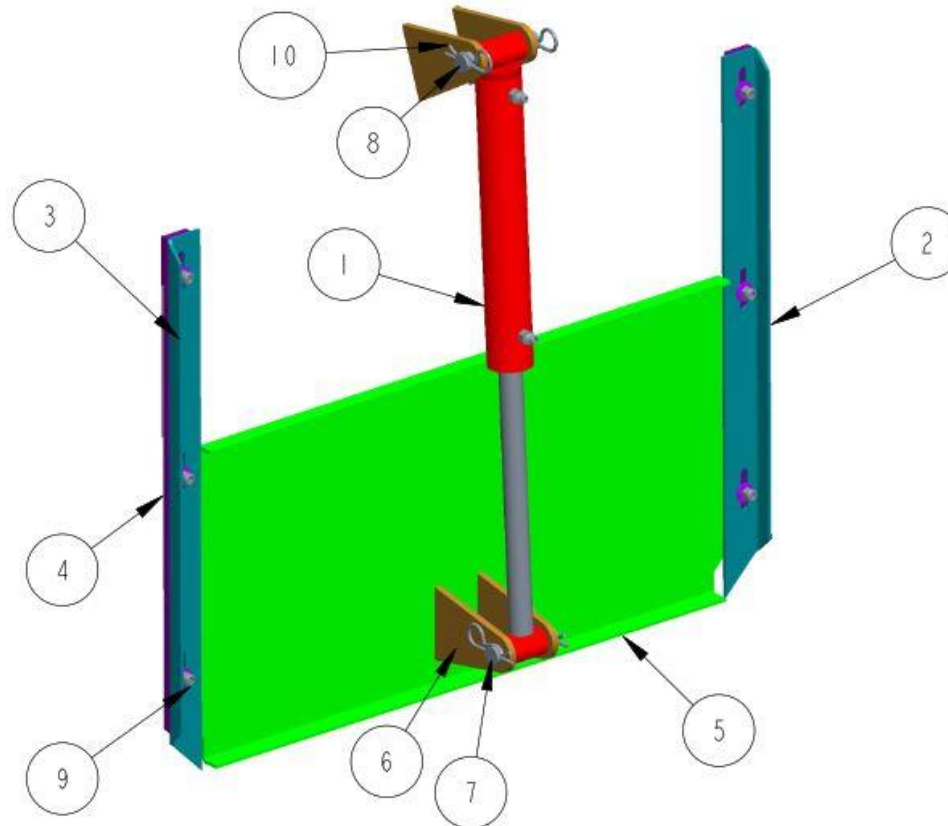


25-Jan-16	FEEDGATE ASSEMBLY - LS	300-30560	220034-34
-----------	------------------------	-----------	-----------

4.1.2:Hydraulic Feedgate

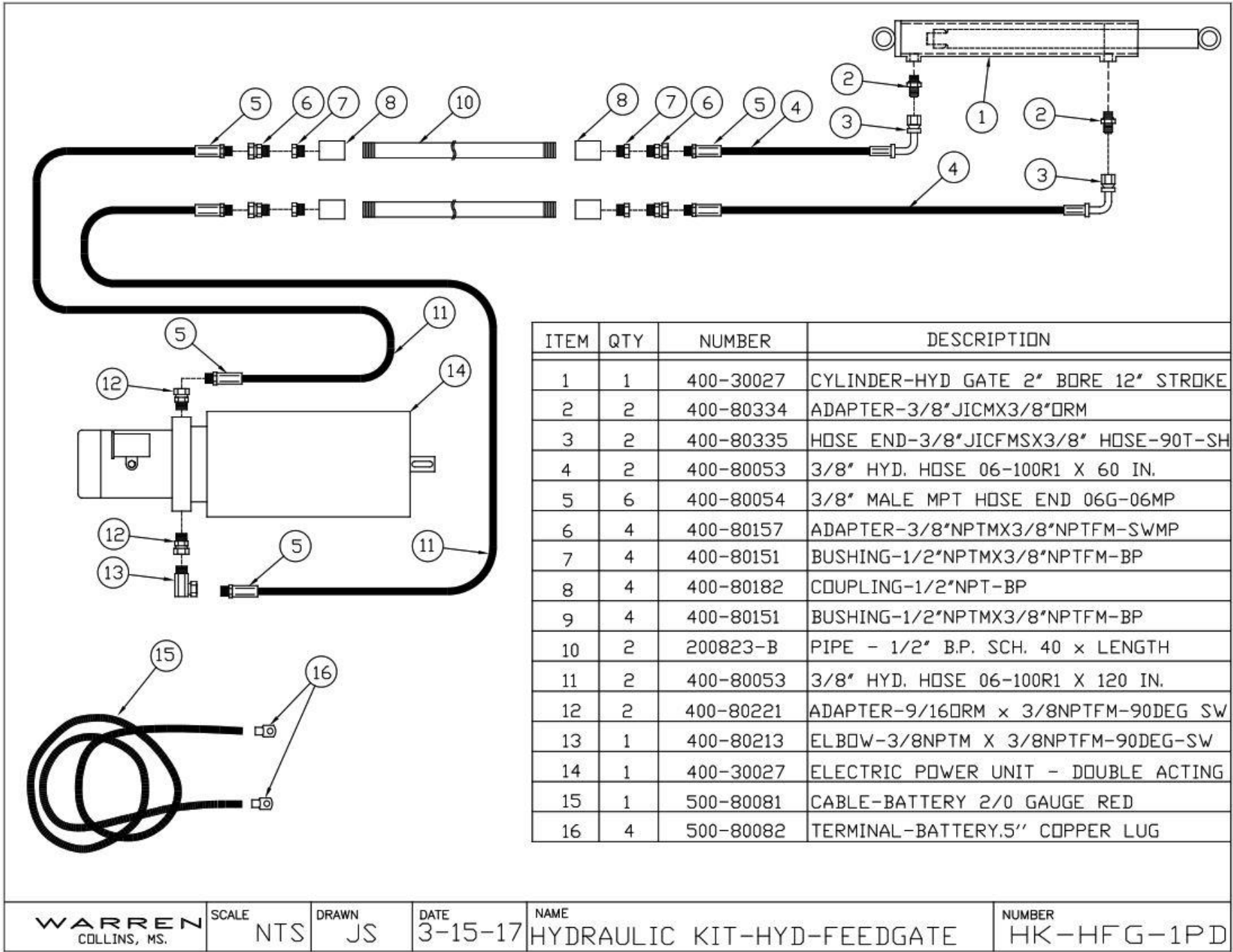


ITEM	QTY.	PART NO.	WARREN PART NO.	DESCRIPTION	WEIGHT
1	1	288-311	400-80503	CYLINDER - HYDRAULIC FEEDGATE 2" BORE 12" STROKE	15.498
2	1	200016-03	300-30157	RETAINER -FEEDGATE - RH	4.169
3	1	200016-04	300-30158	RETAINER -FEEDGATE - LH	4.169
4	2	200017-02	300-30159	FEED GATE SPACER	4.300
5	1	200018-28	300-30544	FEED GATE - 34 WIDE	33.933
6	4	200565-02	300-31504	MTG BRK - FEEDGATE	1.684
7	1	200824-01-B	300-31259	PIN - HYDRAULIC FEEDGATE CYLINDER BOTTON	0.875
8	1	200824-01-T	300-31259	PIN - HYDRAULIC FEEDGATE CYLINDER TOP	1.042
9	6	FF-00219	900-80114	3/8-16 NYLON INSERT LOCKNUT ZN	0.030
10	4	FM-00518	900-80213	PIN - HITCH	0.064



25-Jan-16	FEEDGATE ASSEMBLY - LS - HYD	TBD	220034-34-HYD
-----------	------------------------------	-----	---------------

4.1.3:Hydraulic Feedgate Plumbing



WARREN
COLLINS, MS.

SCALE
NTS

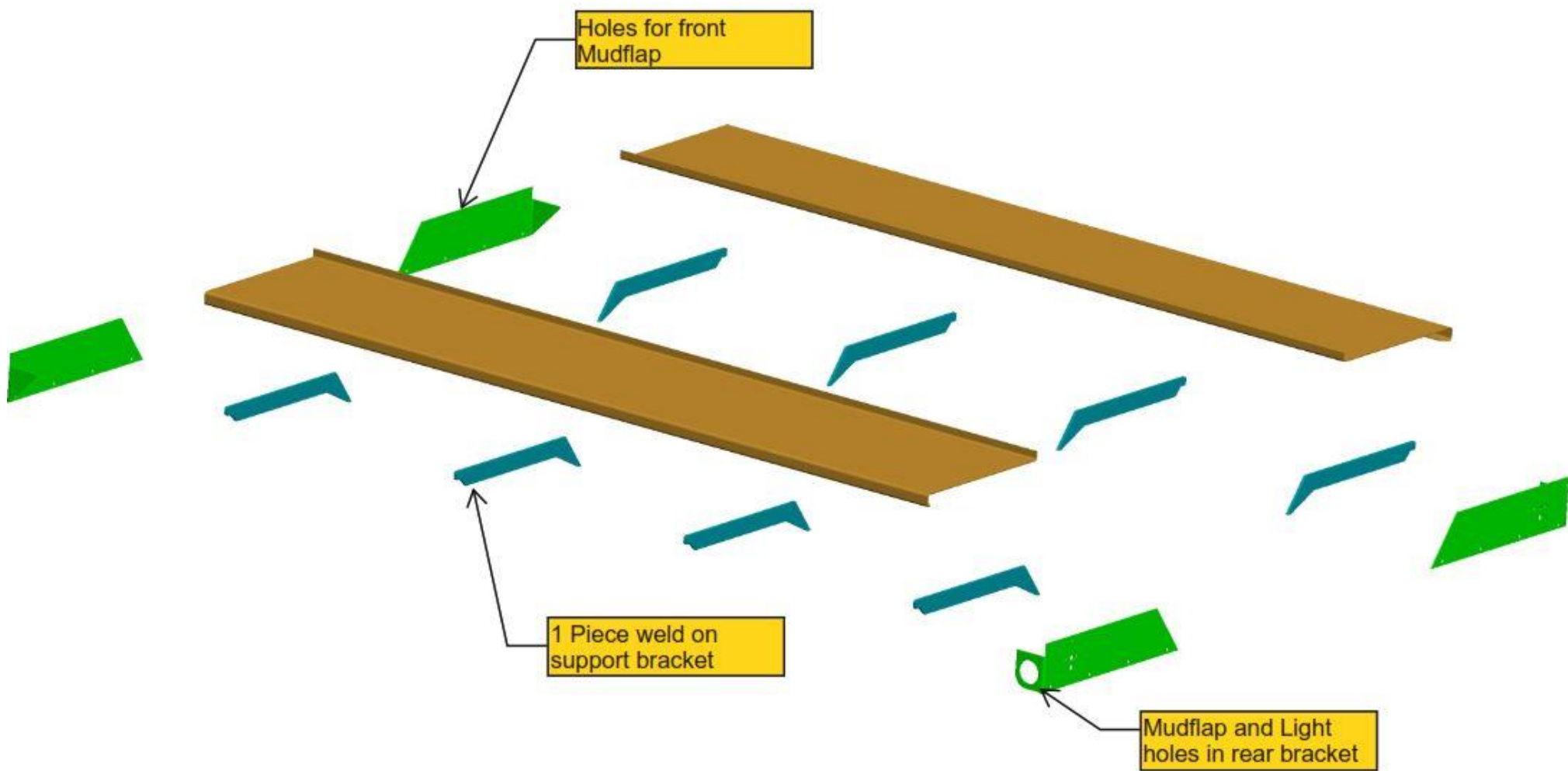
DRAWN
JS

DATE
3-15-17

NAME
HYDRAULIC KIT-HYD-FEEDGATE

NUMBER
HK-HFG-1PD

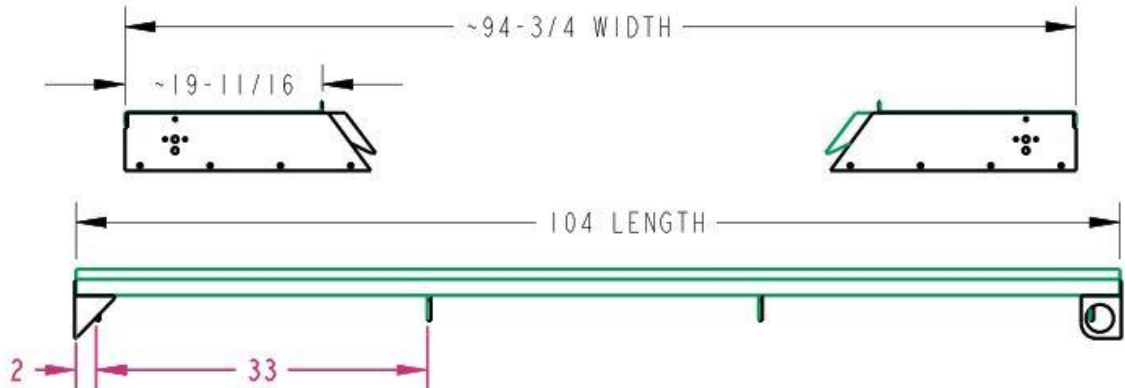
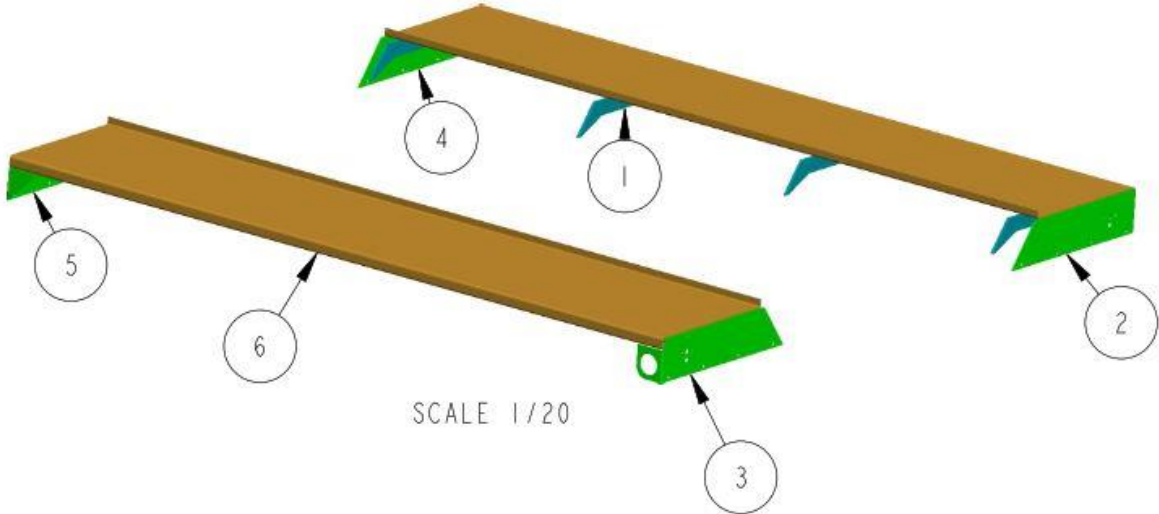
5.1: Catwalk Assembly



5.1.1:Catwalk Assembly 14'



ITEM	QTY.	PART NO.	WARREN PART NO.	DESCRIPTION	WEIGHT
1	8	200027-41	300-30272	CATWALK MOUNTING BAR - LS	4.587
2	1	200048-18	300-30304	MUD FLAP/LIGHT BRACKET - RH	5.689
3	1	200048-19	300-30305	MUD FLAP/LIGHT BRACKET - LH	5.689
4	1	200048-20	300-30306	MUD FLAP/LIGHT BRACKET - RH - FRONT	5.669
5	1	200048-21	300-30307	MUD FLAP/LIGHT BRACKET - LH - FRONT	5.669
6	2	200803-30	300-30471	CATWALK/FENDER -14' BODY - LS	90.685

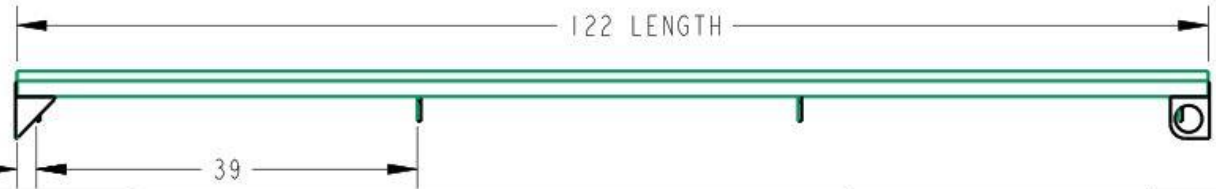
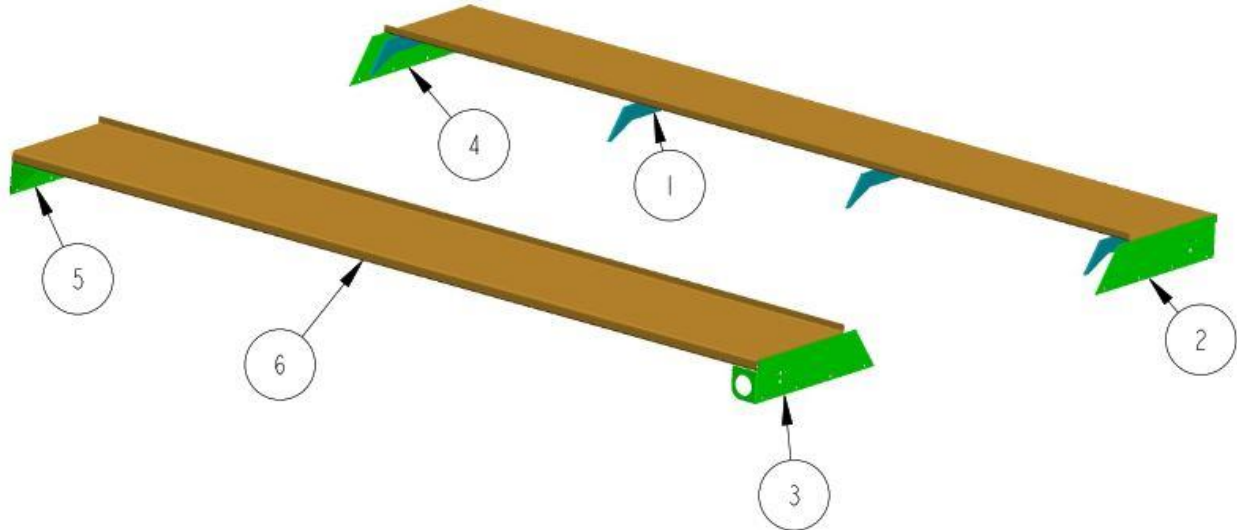


Aug-25-21	CALWALK ASSEMBLY - LS - 14'	TBD	220391-02
-----------	-----------------------------	-----	-----------

5.1.2:Catwalk Assembly 16'



ITEM	QTY.	PART NO.	WARREN PART NO.	DESCRIPTION	WEIGHT
1	8	200027-41	300-30272	CATWALK MOUNTING BAR - LS	4.587
2	1	200048-18	300-30304	MUD FLAP/LIGHT BRACKET - RH	5.689
3	1	200048-19	300-30305	MUD FLAP/LIGHT BRACKET - LH	5.689
4	1	200048-20	300-30306	MUD FLAP/LIGHT BRACKET - RH - FRONT	5.669
5	1	200048-21	300-30307	MUD FLAP/LIGHT BRACKET - LH - FRONT	5.669
6	2	200803-31	300-31857	CATWALK/FENDER -16' BODY - LS - MS	98.251

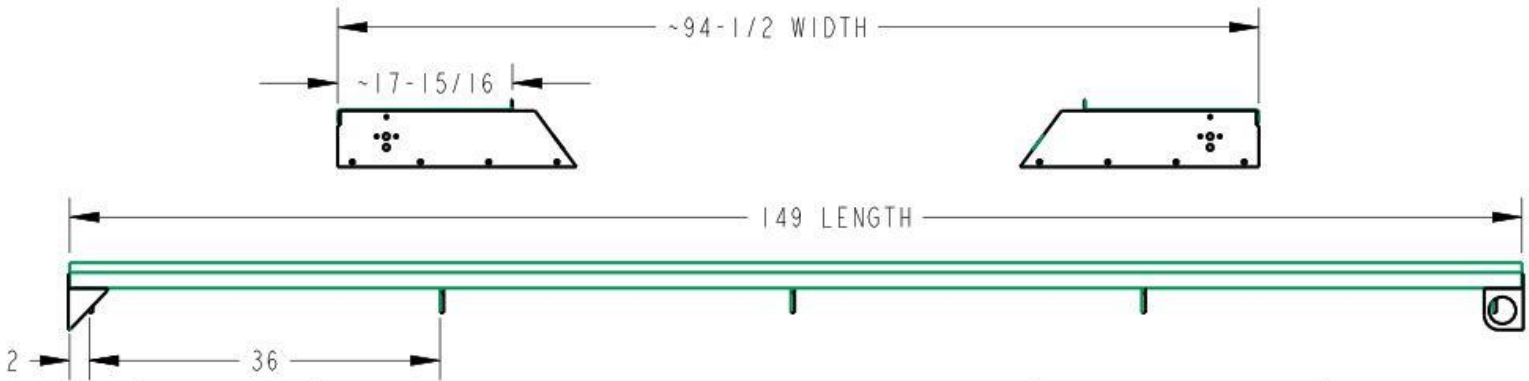
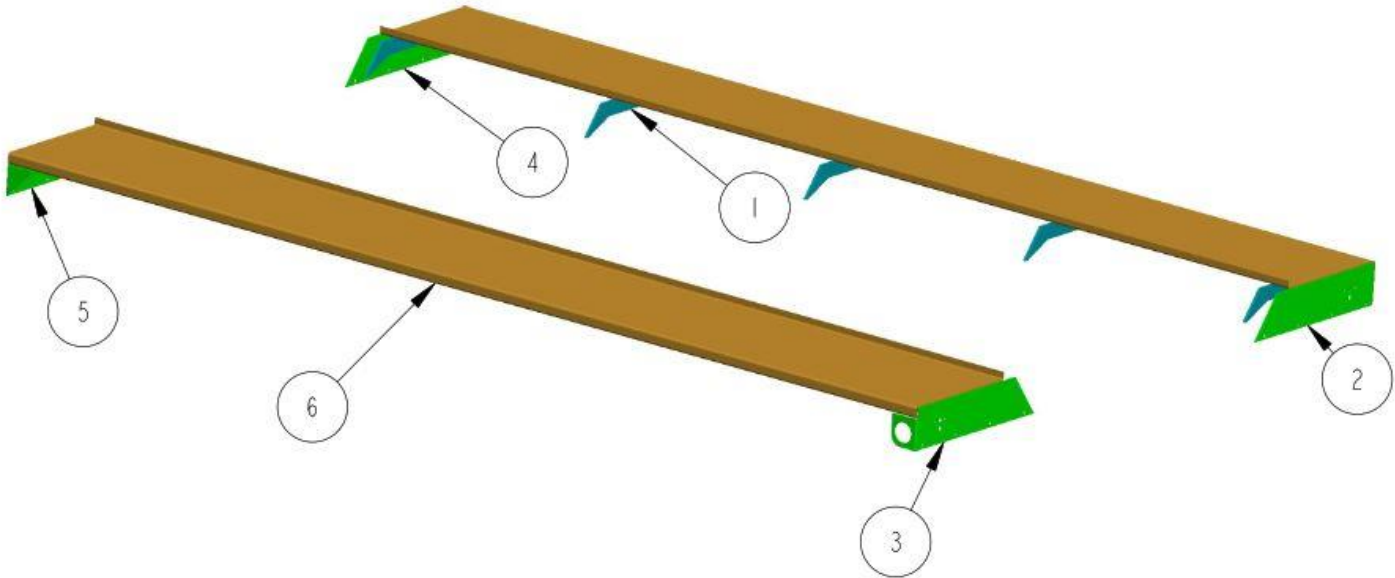


Aug-25-21	CALWALK ASSEMBLY - LS - 16'	300-31883	220391-03
-----------	-----------------------------	-----------	-----------

5.1.3:Catwalk Assembly 18'



ITEM	QTY.	PART NO.	WARREN PART NO.	DESCRIPTION	WEIGHT
1	10	200027-41	300-30272	CATWALK MOUNTING BAR - LS	4.587
2	1	200048-18	300-30304	MUD FLAP/LIGHT BRACKET - RH	5.689
3	1	200048-19	300-30305	MUD FLAP/LIGHT BRACKET - LH	5.689
4	1	200048-20	300-30306	MUD FLAP/LIGHT BRACKET - RH - FRONT	5.669
5	1	200048-21	300-30307	MUD FLAP/LIGHT BRACKET - LH - FRONT	5.669
6	2	200803-32	300-31858	CATWALK/FENDER -18' BODY - LS	119.986

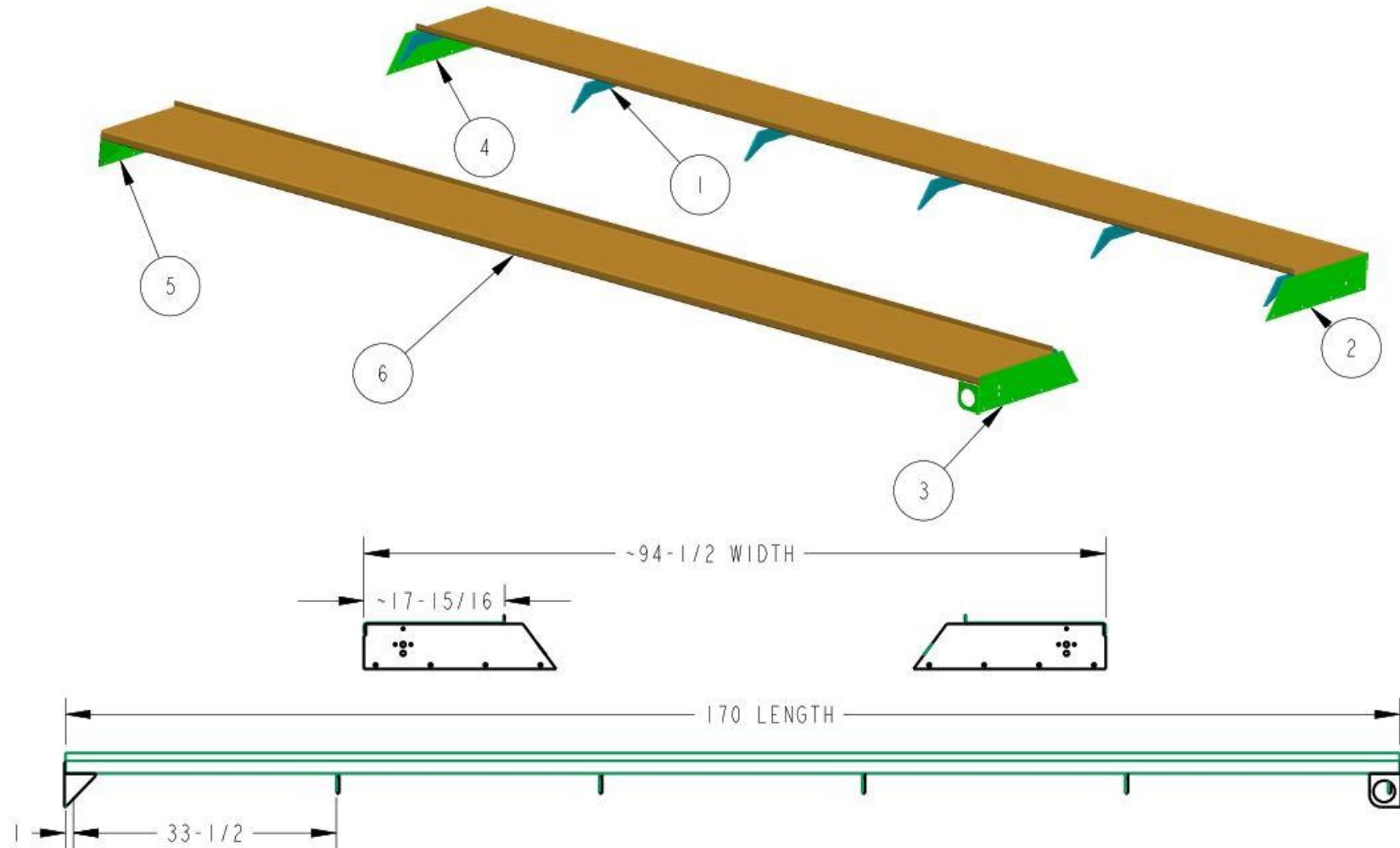


Aug-25-21	CALWALK ASSEMBLY - LS - 18'	300-31884	220391-04
-----------	-----------------------------	-----------	-----------

5.1.3:Catwalk Assembly 20'



ITEM	QTY.	PART NO.	WARREN PART NO.	DESCRIPTION	WEIGHT
1	12	200027-41	300-30272	CATWALK MOUNTING BAR - LS	4.587
2	1	200048-18	300-30304	MUD FLAP/LIGHT BRACKET - RH	5.689
3	1	200048-19	300-30305	MUD FLAP/LIGHT BRACKET - LH	5.689
4	1	200048-20	300-30306	MUD FLAP/LIGHT BRACKET - RH - FRONT	5.669
5	1	200048-21	300-30307	MUD FLAP/LIGHT BRACKET - LH - FRONT	5.669
6	2	200803-33	300-32332	CATWALK/FENDER -20' BODY - LS	136.900

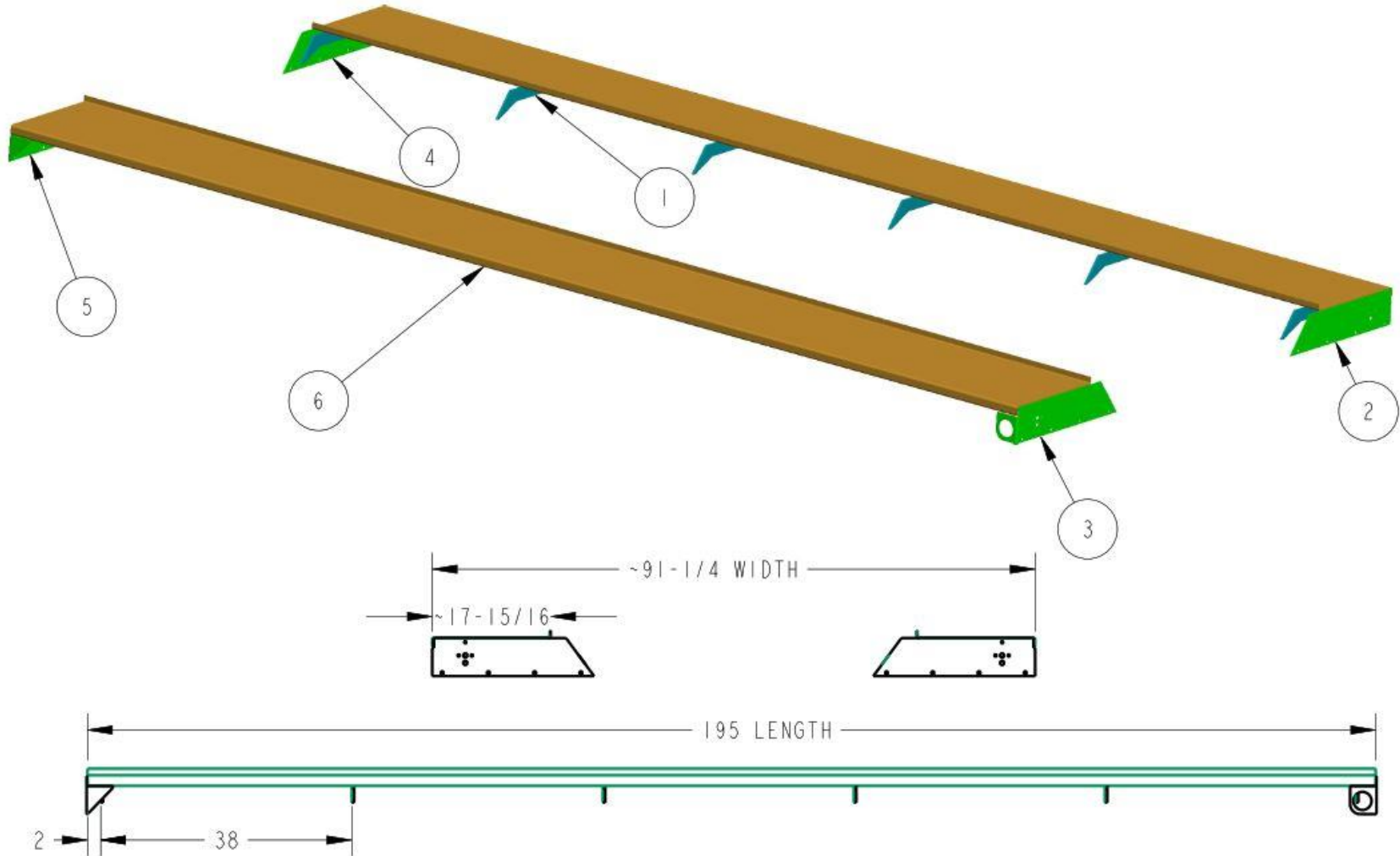


Aug-25-21	CALWALK ASSEMBLY - LS - 20' - MS	300-32338	220391-05
-----------	----------------------------------	-----------	-----------

5.1.4: Catwalk Assembly 22'



ITEM	QTY.	PART NO.	WARREN PART NO.	DESCRIPTION	WEIGHT
1	12	200027-41	300-30272	CATWALK MOUNTING BAR - LS	4.587
2	1	200048-18	300-30304	MUD FLAP/LIGHT BRACKET - RH	5.689
3	1	200048-19	300-30305	MUD FLAP/LIGHT BRACKET - LH	5.689
4	1	200048-20	300-30306	MUD FLAP/LIGHT BRACKET - RH - FRONT	5.669
5	1	200048-21	300-30307	MUD FLAP/LIGHT BRACKET - LH - FRONT	5.669
6	2	200803-34	300-32333	CATWALK/FENDER -22' BODY - LS	157.036

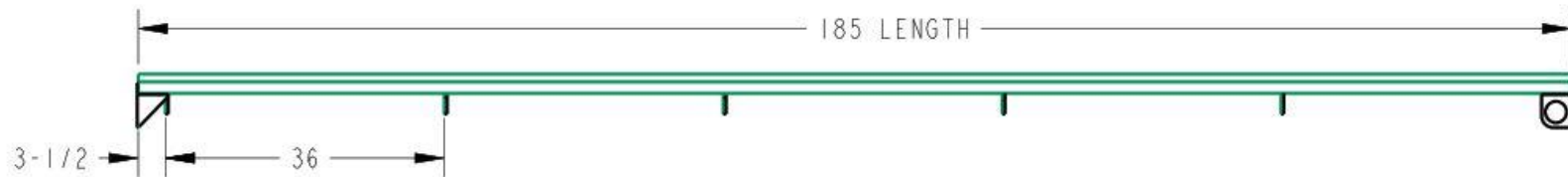
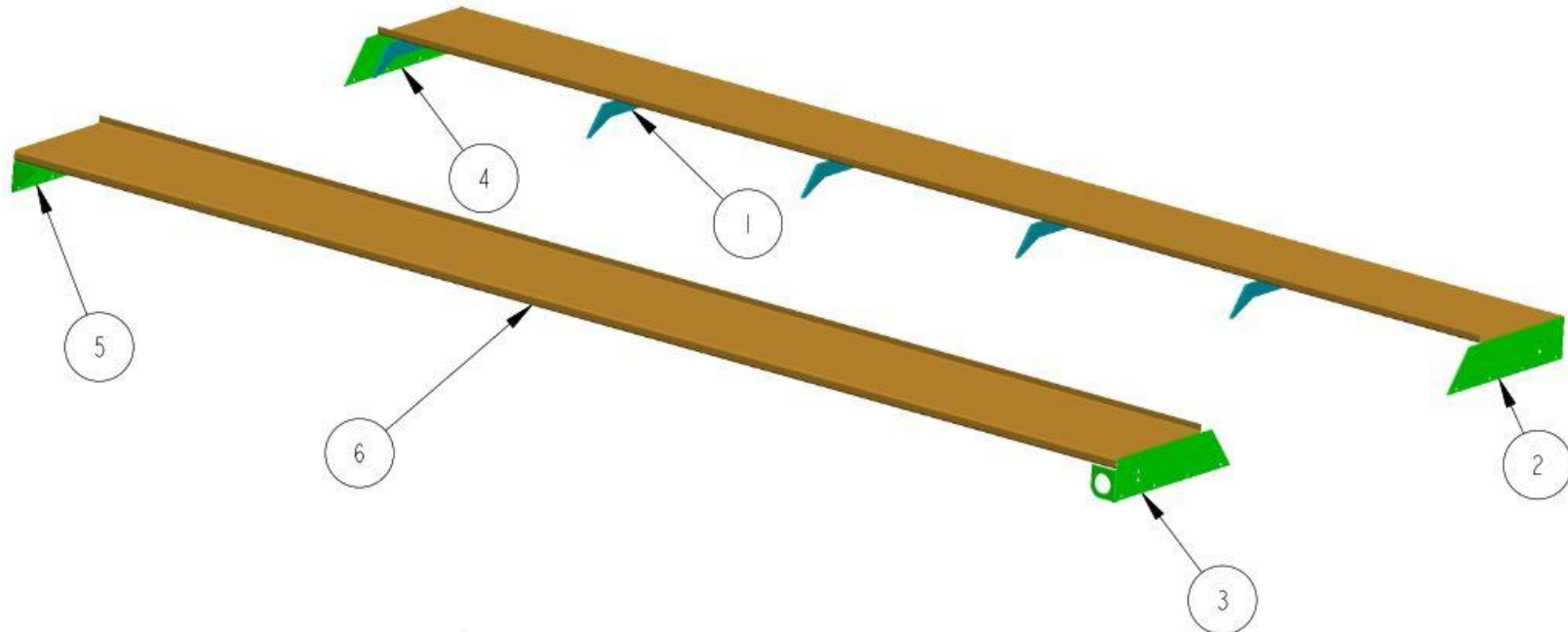


Aug-25-21	CALWALK ASSEMBLY - LS - 22' - MS	300-32339	220391-06
-----------	----------------------------------	-----------	-----------

5.1.5: Catwalk Assembly 24'



ITEM	QTY.	PART NO.	WARREN PART NO.	DESCRIPTION	WEIGHT
1	10	200027-41	300-30272	CATWALK MOUNTING BAR - LS	4.587
2	1	200048-18	300-30304	MUD FLAP/LIGHT BRACKET - RH	5.689
3	1	200048-19	300-30305	MUD FLAP/LIGHT BRACKET - LH	5.689
4	1	200048-20	300-30306	MUD FLAP/LIGHT BRACKET - RH - FRONT	5.669
5	1	200048-21	300-30307	MUD FLAP/LIGHT BRACKET - LH - FRONT	5.669
6	2	200803-35	300-32334	CATWALK/FENDER -24' BODY - LS	148.981

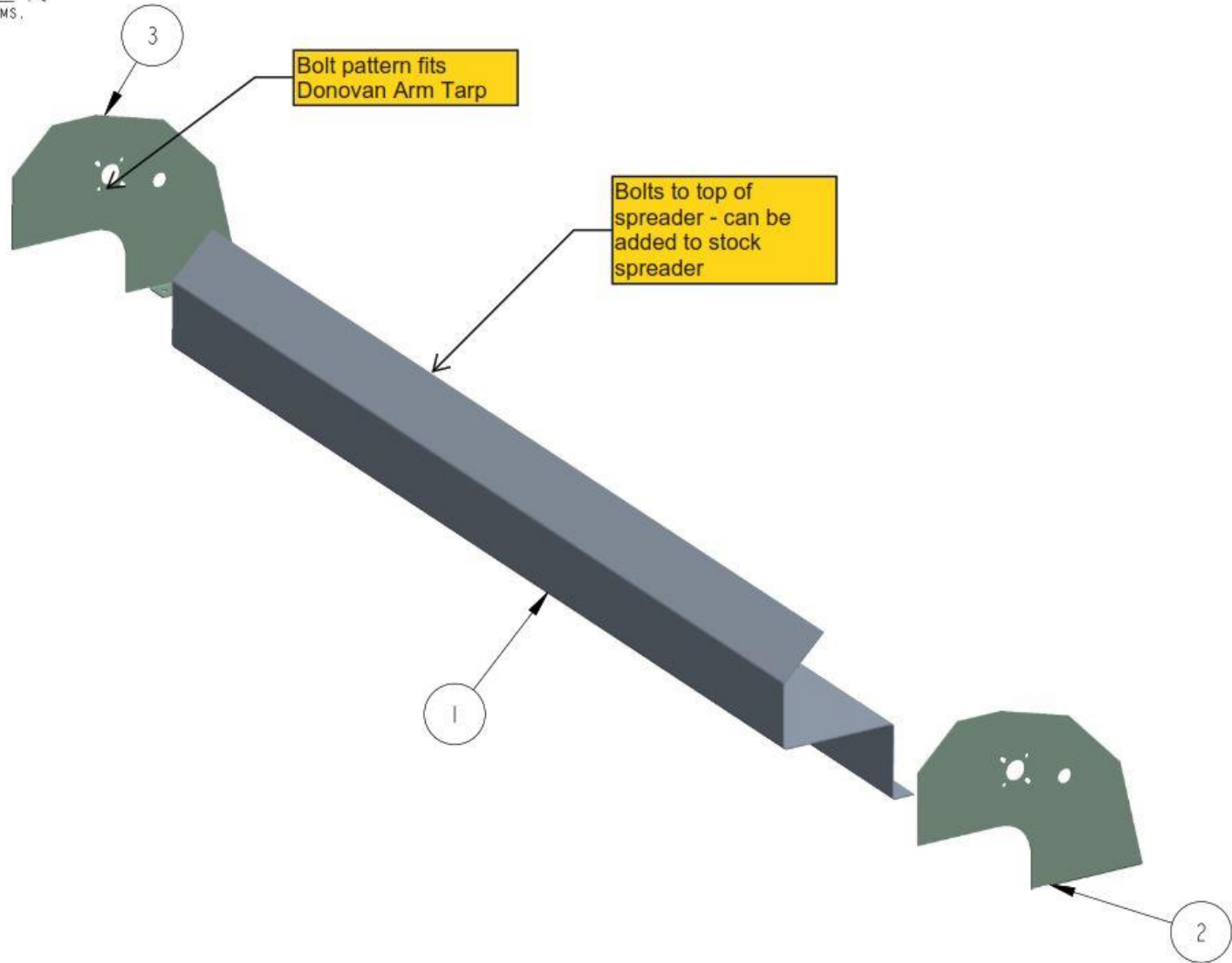


Aug-25-21	CATWALK ASSEMBLY - LS - 24' - MS	300-32340	220391-07
-----------	----------------------------------	-----------	-----------

6.1:Tarp Mount Bracket



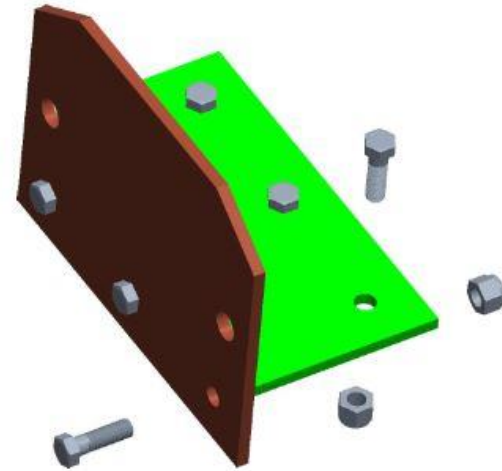
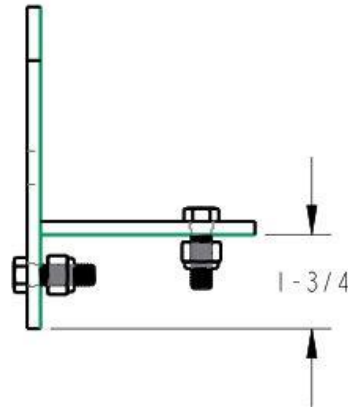
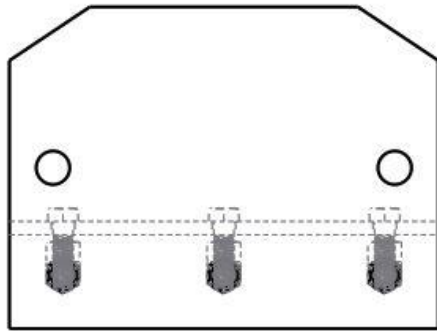
ITEM	QTY.	PART NO.	WARREN PART NO.	DESCRIPTION	WEIGHT
1	1	CSS-LS-6-MS	300-31597	SHEET - CABSHIELD - 6" - LS - MS	102.131
2	1	CSSW-LS-6-MS-LH	300-31593	WING - CABSHIELD SIDE - LS - 6" - LH	8.530
3	1	CSSW-LS-6-MS-RH	300-31594	WING - CABSHIELD SIDE - LS - 6" - RH	8.530



119.191	Feb-01-23	CABSHIELD FOR LS SPREADER WITH TARP	300-80093	CS-TARP
---------	-----------	-------------------------------------	-----------	---------


6.1.1:Lower Tarp Mount

ITEM	QTY.	PART NO.	WARREN PART NO.	DESCRIPTION	WEIGHT
1	6	FF-00010	900-80129	3/8-16 X 1-1/4 HEX CAP SCREW SS	0.055
2	6	FF-00156	900-80470	3/8-16 NYLON INSERT LOCKNUT SS	0.031
3	1	LS-TARP-01-SS	300-31608	LS TAPP PIVOT BRACKET - SS	11.359
4	1	LS-TARP-02-SS	300-31610	LS TAPP PIVOT BRACKET - SS	7.887

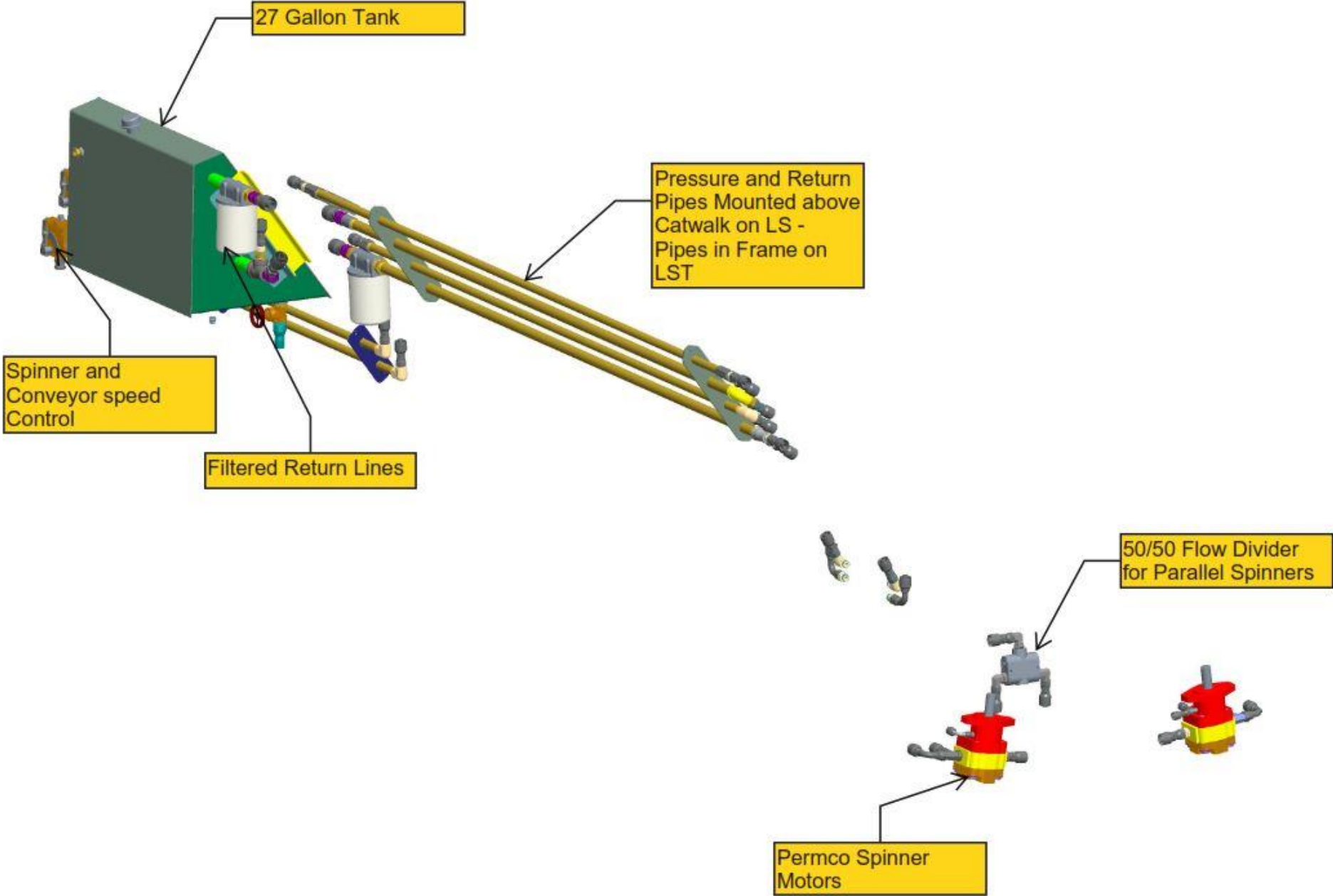


UNLESS OTHERWISE SPECIFIED, ALL WELDS TO BE CONTINUOUS. SIZE OF WELD TO BE AT LEAST THE THICKNESS OF THE THINNER OF THE ADJACENT METALS.

TOLERANCE-UNLESS OTHERWISE SPECIFIED.
 DECIMAL ±.0625 FRACTIONAL ±/16 ANGULAR ±1°

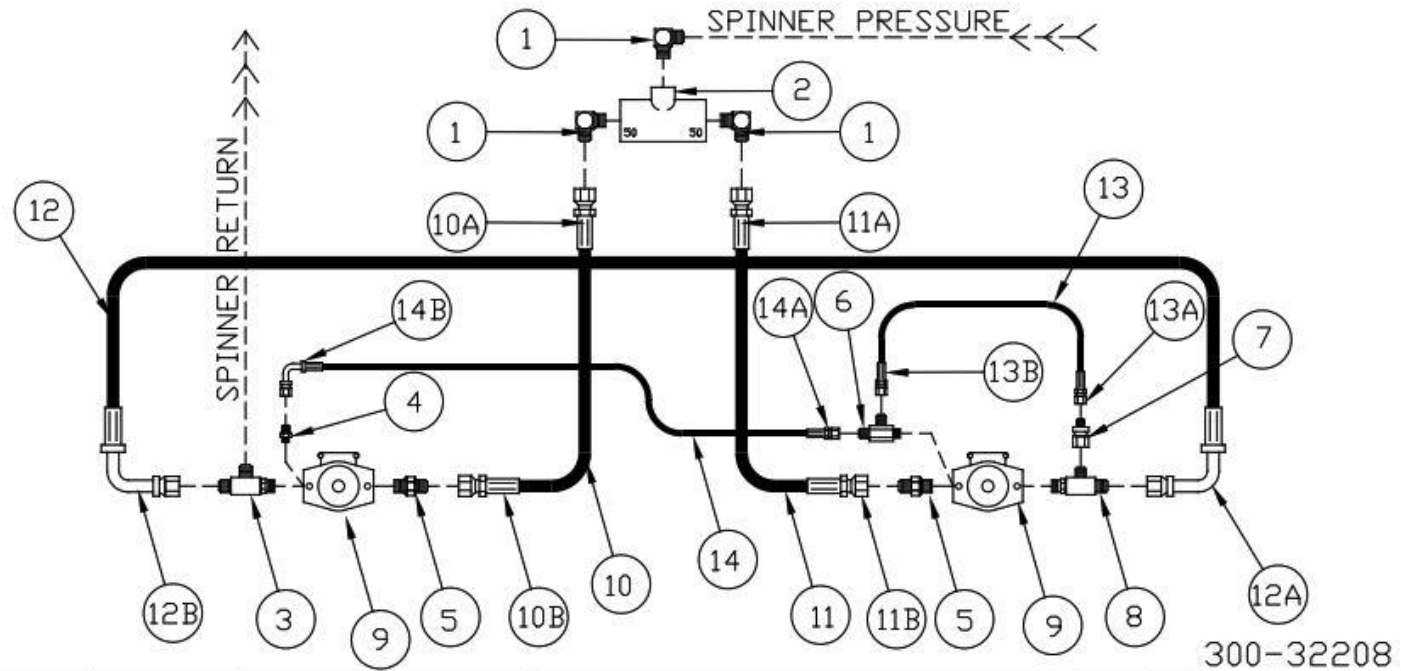
OP. #	OPERATION	MACH #	W/O#	 WARREN COLLINS, MS.	SCALE	REQ'D.
			DATE		11/32	
			QTY.		DRAWN	DATE
			DEST.		PK	Feb-07-23
						WEIGHT
						19.763
				NAME	WARREN PART NO.	
				TARP MOUNT FOR LS-3420 - SS	TBD	
				MATERIAL	NUMBER	
				NA	LS-TARP-SS	

7.1:Hydraulics



7.1.1:Spinner Hydraulics – Parallel

ITEM	QUAN	PART NO.	WPN	DESCRIPTION
1	3	FHF-00209	400-80070	ELBOW-3/4 DRM x 3/4 JICM-90 DEG
2	1	FHV-00131	400-30035	VALVE - B50 50 x 50
3	1	FHF-00214	400-80075	TEE-3/4 JICM x 3/4 DRM x 3/4 JICM
4	1	2404-06-04	400-80343	ADAPTOR-3/8 JICM x 1/4 NPTM
5	2	FHF-00203	400-80064	ADAPTOR - 3/4 DRM x 3/4 JICM
6	1	2605-06-04-06	400-80344	TEE - 3/8 JICM x 1/4 NPTM x 3/8 JICM
7	1	6504-06-10	400-80336	ADAPTOR-5/8 JICFM x 3/8 JICM
8	1	6804-12-12-10	400-80345	TEE - 3/4 JICM x 3/4 DRM x 5/8 JICM
9	2	FHM-00088	400-30009	MOTOR - SPINNER
10	1	FHH-00238	400-80049	3/4 HYD HOSE 12-100R2AT x 24' (JICFMS x JICFMS)
11	1	FHH-00238	400-80049	3/4 HYD HOSE 12-100R2AT x 24' (JICFMS x JICFMS)
12	1	FHH-00238	400-80049	3/4 HYD HOSE 12-100R2AT x 54' (JICFMS 90D x JICFMS 90D)
13	1	FHH-00236	400-80053	3/8 HYD HOSE 100R-2 x 16' (JICFMS x JICFMS)
14	1	FHH-00236	400-80053	3/8 HYD HOSE 100R-2 x 30' (JICFMS x JICFMS 90D)



WARREN
COLLINS, MS.

SCALE
1/10

DRAWN
PK

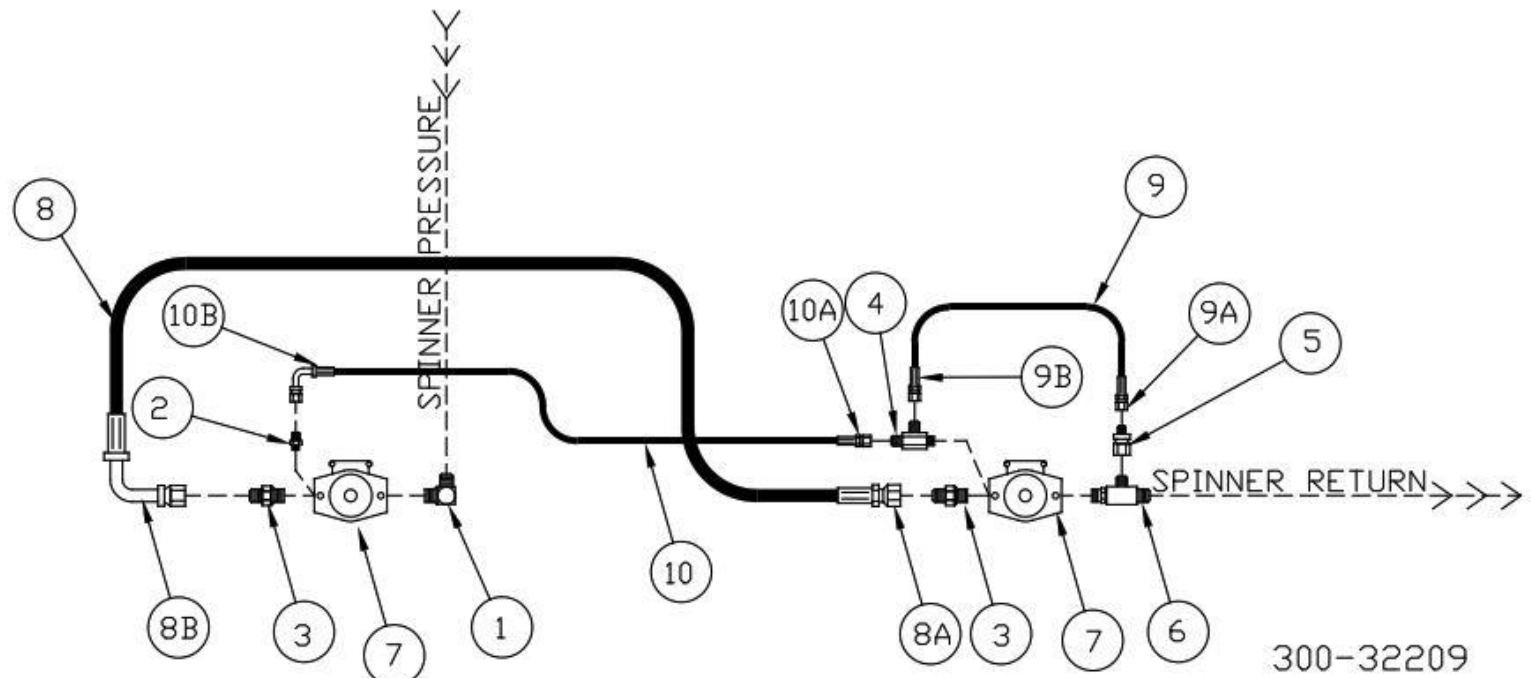
DATE
5-10-12

NAME
HYD DIAGRAM - LS SPINNER - PARALLEL

NUMBER
HK-LSS-P

7.1.2:Spinner Hydraulics – Series

ITEM	QUAN	PART NO.	WPN	DESCRIPTION
1	1	FHF-00209	400-80070	ELBOW-3/4 DRM x 3/4 JICM-90 DEG
2	1	2404-06-04	400-80343	ADAPTOR-3/8 JICM x 1/4 NPTM
3	2	FHF-00203	400-80064	ADAPTOR - 3/4 DRM x 3/4 JICM
4	1	2605-06-04-06	400-80344	TEE - 3/8 JICM x 1/4 NPTM x 3/8 JICM
5	1	6504-06-10	400-80336	ADAPTOR-5/8 JICFM x 3/8 JICM
6	1	6804-12-12-10	400-80345	TEE - 3/4 JICM x 3/4 DRM x 5/8 JICM
7	2	FHM-00088	400-30009	MOTOR - SPINNER
8	1	FHH-00238	400-80049	3/4 HYD HOSE 12-100R2AT x 38" (JICFMS x JICFMS 90D)
9	1	FHH-00236	400-80053	3/8 HYD HOSE 100R-2 x 16" (JICFMS x JICFMS)
10	1	FHH-00236	400-80053	3/8 HYD HOSE 100R-2 x 30" (JICFMS x JICFMS 90D)

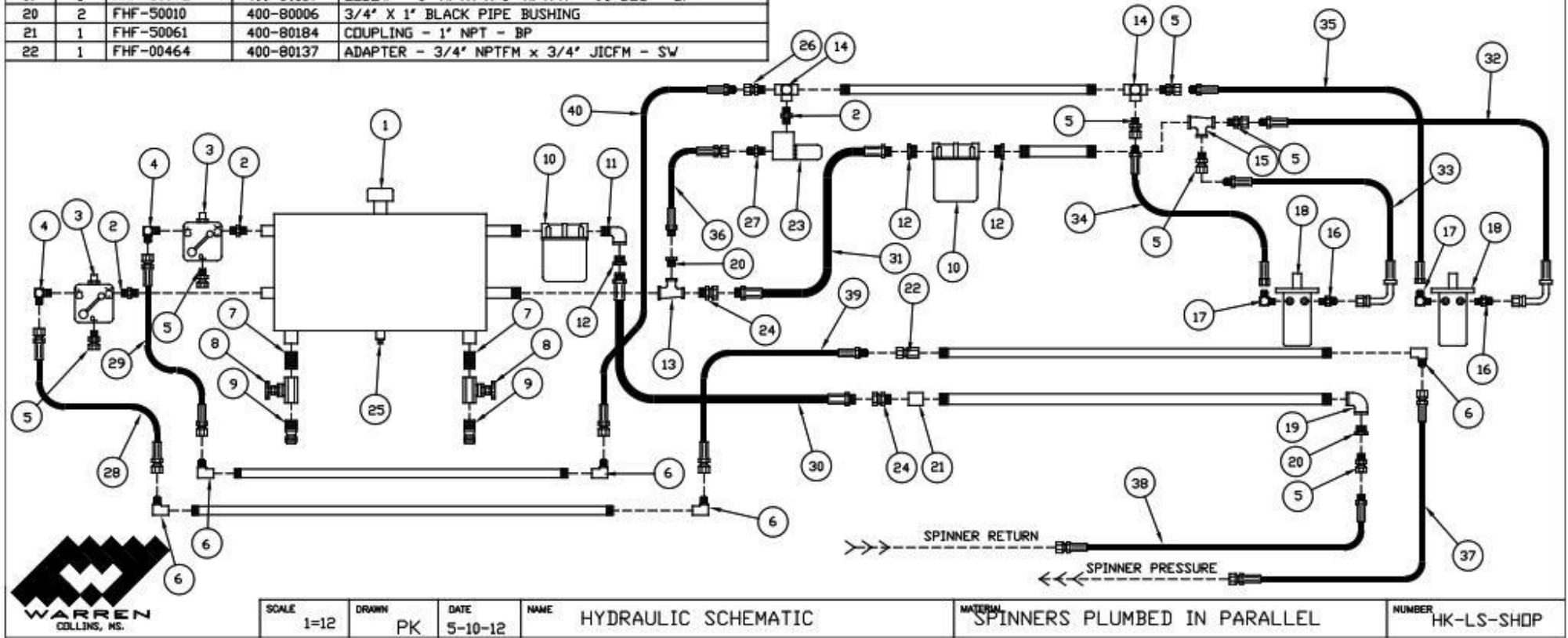


WARREN COLLINS, MS.	SCALE	DRAWN	DATE	NAME	NUMBER
	1/10	PK	5-10-12	HYD DIAGRAM - LS SPINNER - SERIES	HK-LSS-S

7.1.3:LS Body Hydraulics

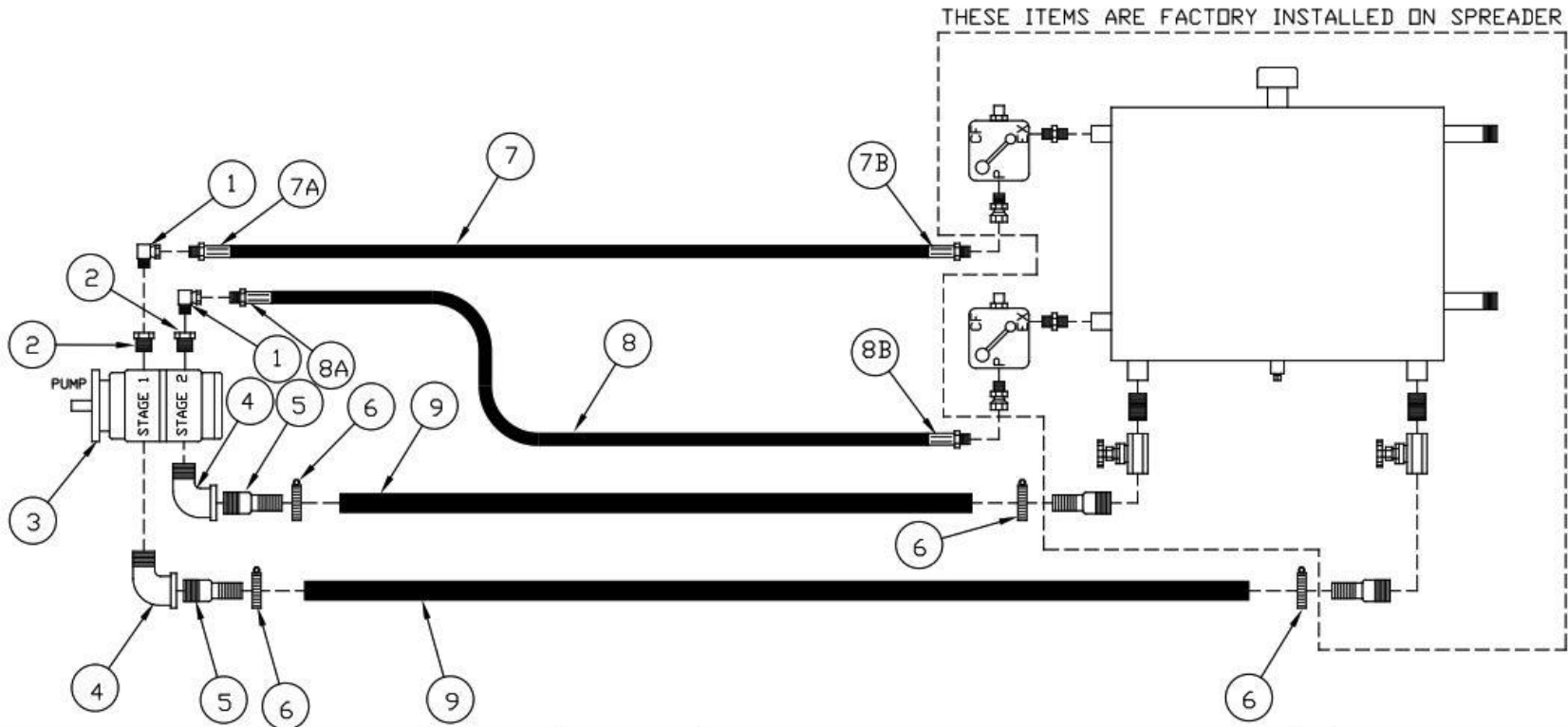
ITEM	QUAN	PART NO.	WPN	DESCRIPTION
1	1	FM-50023	600-80048	OIL CAP
2	3	FHF-00303	400-80037	3/4" HEX NIPPLE WITH FLARE
3	2	FCR51-3/4	400-30076	VALVE - CONVEYDR / SPINNER CONTROL - 2000 PSI
4	2	FHF-00274	400-80111	ELBDW - 3/4" NPTM X 3/4" JICM-90DEG
5	3	FHF-50022	400-80007	3/4" STRAIGHT SWIVEL
6	5	FHF-00465	400-80138	ELBDW - 3/4" NPTFM X 3/4" JICM-90DEG
7	1	FHF-50045	400-80173	NIPPLE - 1 1/4" NPT CLOSE - BP
8	1	FHV-00129	400-80047	1-1/4" NPT GATE VALVE
9	2	FHF-50124	400-80210	NIPPLE - 1-1/4" NPT KING
10	2	FHF-00250	400-80035	HYDRAULIC OIL FILTER ASSEMBLY
11	1	FHF-50082	400-80001	1-1/4" STREET ELBDW - BP
12	3	FHF-50009	400-80147	BUSHING - 1-1/4" NPTM x 1" NPTFM-BP
13	1	FHF-00219	400-80079	TEE - 1-1/4" NPT X 1" NPT X 1" NPT - BP
14	2	FHF-00301	400-80008	3/4" WEATHERHEAD PRESSURE TEE
15	1	FHF-50054	400-80178	TEE - 1" NPT X 3/4" NPT X 3/4" NPT - BP
16	2	FHF-00204	400-80065	ADAPTER - 5/8" DRM X 3/4" JICM
17	2	FHF-00212	400-80073	ELBDW - 3/4" JICM x 5/8" DRM - 90 DEG
18	2	FHM-00113	400-30011	MOTDR - AC2420 / E-AC / LF2420
19	1	FHF-50072	400-80187	ELBDW - 1" NPTM x 1" NPTFM - 90 DEG - BP
20	2	FHF-50010	400-80006	3/4" X 1" BLACK PIPE BUSHING
21	1	FHF-50061	400-80184	COUPLING - 1" NPT - BP
22	1	FHF-00464	400-80137	ADAPTER - 3/4" NPTFM x 3/4" JICFM - SW

ITEM	QUAN	PART NO.	WPN	DESCRIPTION
23	1	FHV-00249	400-30045	VALVE - DUMP ELECTRIC - NORMALLY OPEN
24	2	FHF-50021	400-80155	ADAPTER - 1" NPTM x 1" NPTFM - SW
25	1	FHF-50029	400-80160	PIPE PLUG - 1/2" NPT
26	5	FHF-00380	400-80290	ADAPTER - 3/4" NPTM x 3/4" JICFM - SW
27	1	FHF-00252	400-80093	ADAPTER - 3/4" NPTM x 3/4" JICM
28	1	FHF-00238	400-80049	3/4" HYD. HOSE 12-100R2AT X 20" (JICFMS X JICFMS)
29	1	FHF-00238	400-80049	3/4" HYD. HOSE 12-100R2AT X 20" (JICFMS X JICFMS)
30	1	FHF-00239	400-80265	1" HYD. HOSE 16-100R2AT X 26" (NPTM X NPTM)
31	1	FHF-00239	400-80265	1" HYD. HOSE 16-100R2AT X 26" (NPTM X NPTM)
32	1	FHF-00238	400-80049	3/4" HYD. HOSE 12-100R2AT X 35" (NPTM X JICFMS 90 DEG)
33	1	FHF-00238	400-80049	3/4" HYD. HOSE 12-100R2AT X 31" (NPTM X JICFMS 90 DEG)
34	1	FHF-00238	400-80049	3/4" HYD. HOSE 12-100R2AT X 24" (JICM X JICFMS)
35	1	FHF-00238	400-80049	3/4" HYD. HOSE 12-100R2AT X 32" (JICM X JICFMS)
36	1	FHF-00238	400-80049	3/4" HYD. HOSE 12-100R2AT X 22" (NPTM X JICFMS)
37	1	FHF-00238	400-80049	3/4" HYD. HOSE 12-100R2AT X 51" (JICFMS X JICFMS)
38	1	FHF-00238	400-80049	3/4" HYD. HOSE 12-100R2AT X 52" (NPTM X JICFMS)
39	1	FHF-00238	400-80049	3/4" HYD. HOSE 12-100R2AT X 28" (JICM X JICFMS)
40	1	FHF-00238	400-80049	3/4" HYD. HOSE 12-100R2AT X 32" (JICFMS X JICFMS)



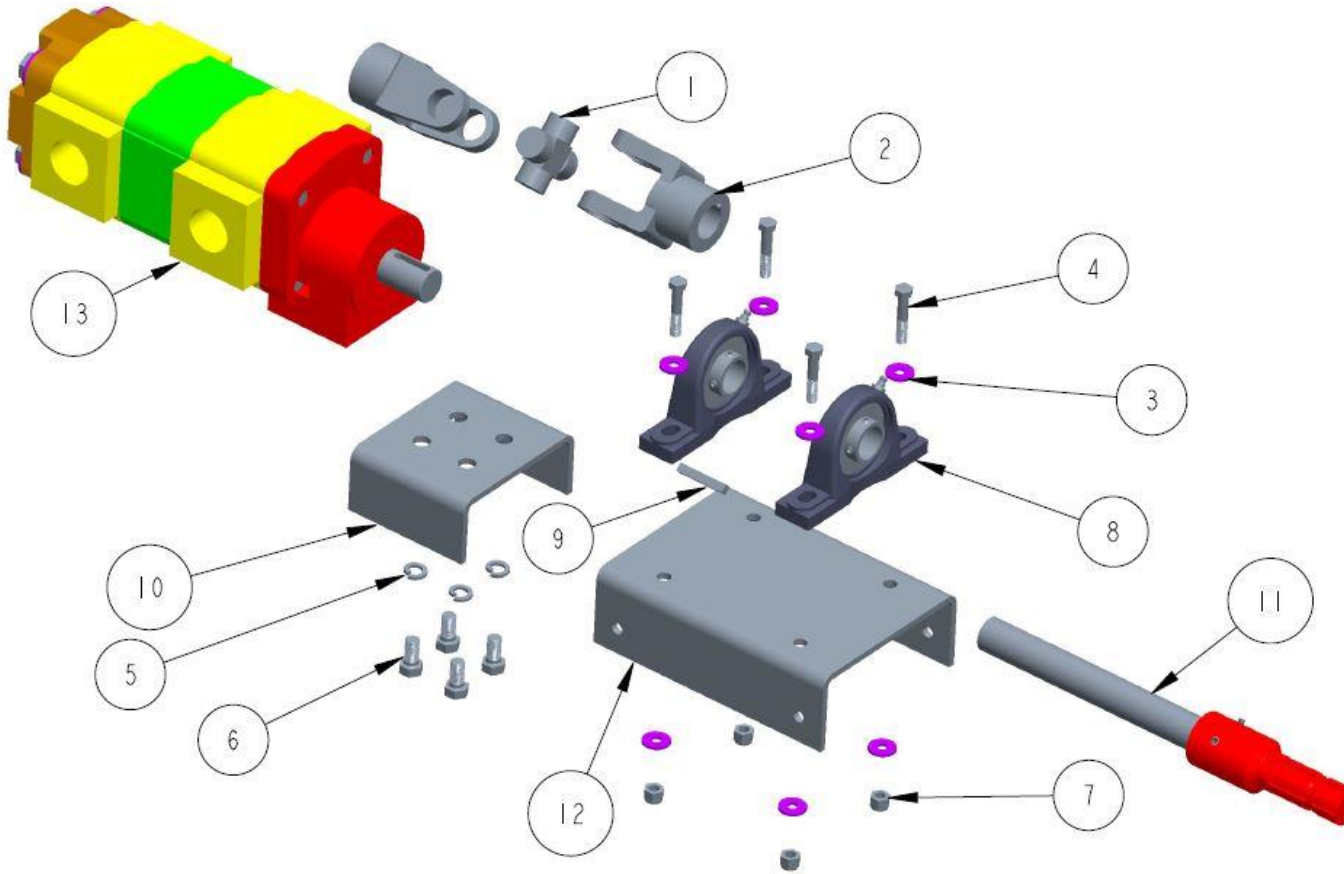
7.1.4:LS Truck Hydraulics

ITEM	QUAN	PART NO.	WPN	DESCRIPTION
1	2	FHF-50014	400-80003	3/4" 90 DEGREE SWIVEL ELL
2	2	FHF-00021	400-80061	BUSHING - 1-1/4" x 3/4" NPT BP
3	1	FHP-50055-CCW	400-80032	PUMP - TANDEM PERMCO - CCW
4	2	FHF-50082	400-80001	1 1/4" BLACK PIPE STREET ELBOW
5	2	FHF-50124	400-80210	NIPPLE - 1 1/4" NPT KING
6	4	FHF-00228	400-80084	CLAMP - 1 1/4" HOSE
7	1	FHH-00238	400-80049	3/4" HYD HOSE 12-100R2AT x 120" (NPTM x NPTM)
8	1	FHH-00238	400-80049	3/4" HYD HOSE 12-100R2AT x 120" (NPTM x NPTM)
9	2	FHH-00121	400-80045	1-1/4" HYD. HOSE 20-100R4 x 120"



WARREN COLLINS, MS.	SCALE 1/12	DRAWN PK	DATE 5-10-12	NAME HYD DIAGRAM - LS INSTALL	NUMBER HK-LS-INST
------------------------	---------------	-------------	-----------------	----------------------------------	----------------------

7.1.5:LST Pump Assembly

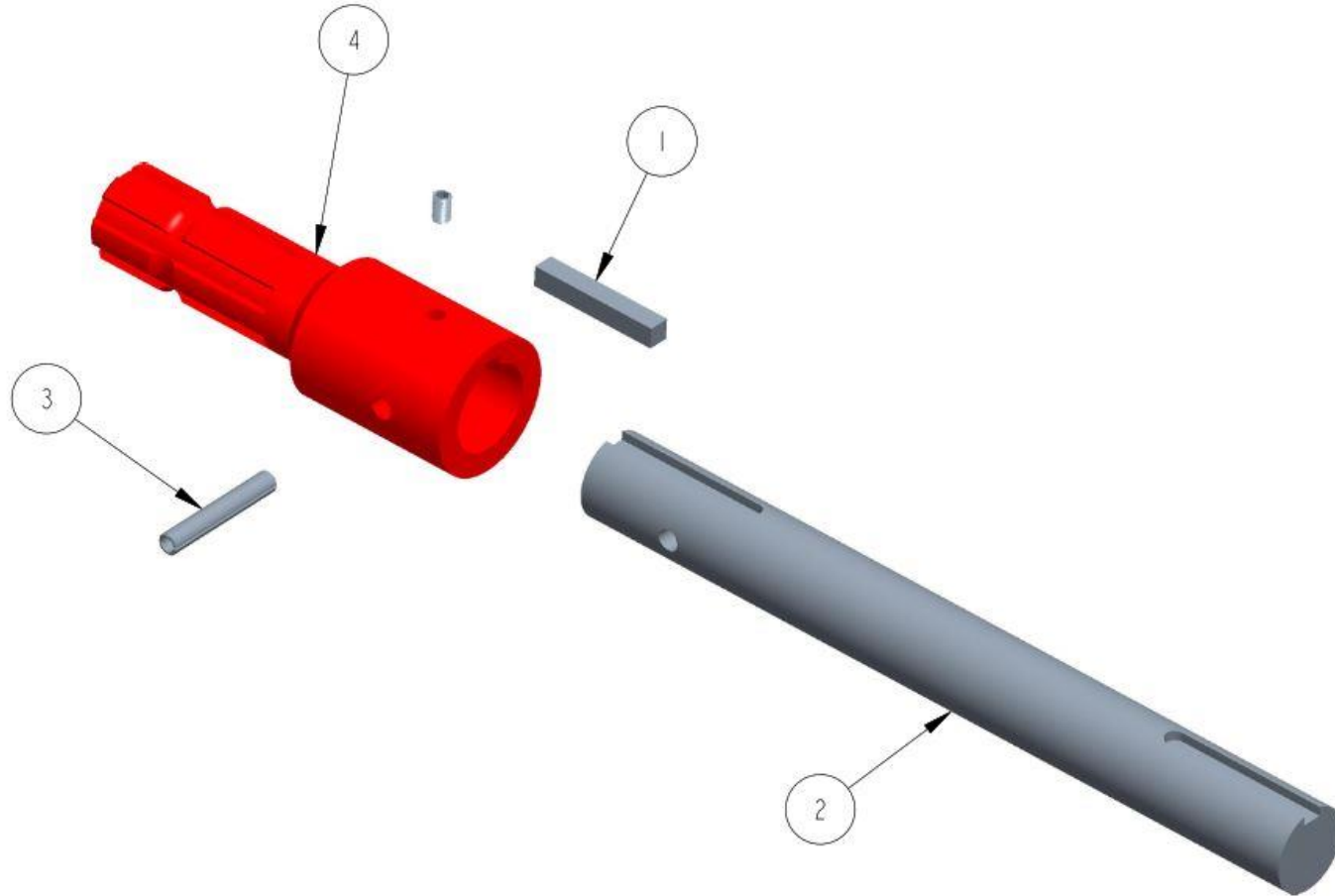


ITEM	QTY.	WARREN PART NO.	DESCRIPTION
1	1	300-31358	14E CROSS AND BEARING KIT
2	2	300-31359	YOKE FOR U-JOINT - 1" BORE
3	8	900-80106	3/8 FLAT WASHER ZN
4	4	900-80133	3/8-16 X 2 HEX CAP SCREW GR 8 YEL ZN
5	4	900-80019	1/2 SPLIT LOCKWASHER ZN
6	4	900-80030	1/2-13 X 1 HEX CAP SCREW GR 8 YEL ZN
7	4	900-80114	3/8-16 NYLON INSERT LOCKNUT ZN
8	2	700-30020	BEARING - 1-1/4" PILLOW BLOCK
9	1	K5/16X144	KEYWAY - 5/16" X 2"
10	1	300-31814	LST TANDEM PUMP MOUNT BRACKET
11	1	300-31815	SHAFT ASSEMBLY FOR LST
12	1	300-31817	LST TANDEM PUMP BEARING MOUNT
13	1	400-30080	PUMP - TANDEM - FOR LST

7.1.6:LST Shaft Assembly



ITEM	QTY.	PART NO.	WARREN PART NO.	DESCRIPTION	WEIGHT
1	1	K5-16X002	K5/16X144	KEYWAY - 5/16" X 2"	0.195
2	1	LSTTPMB-03-14	300-31648	TANDEM PUMP DRIVE SHAFT - LST - 14N U-JOINT	4.084
3	1	PIN-ROLL	300-32284	ROLL PIN	0.021
4	1	SA3	300-31369	SHAFT ADAPTER - 1-1/4" BORE (BUYERS)	2.784

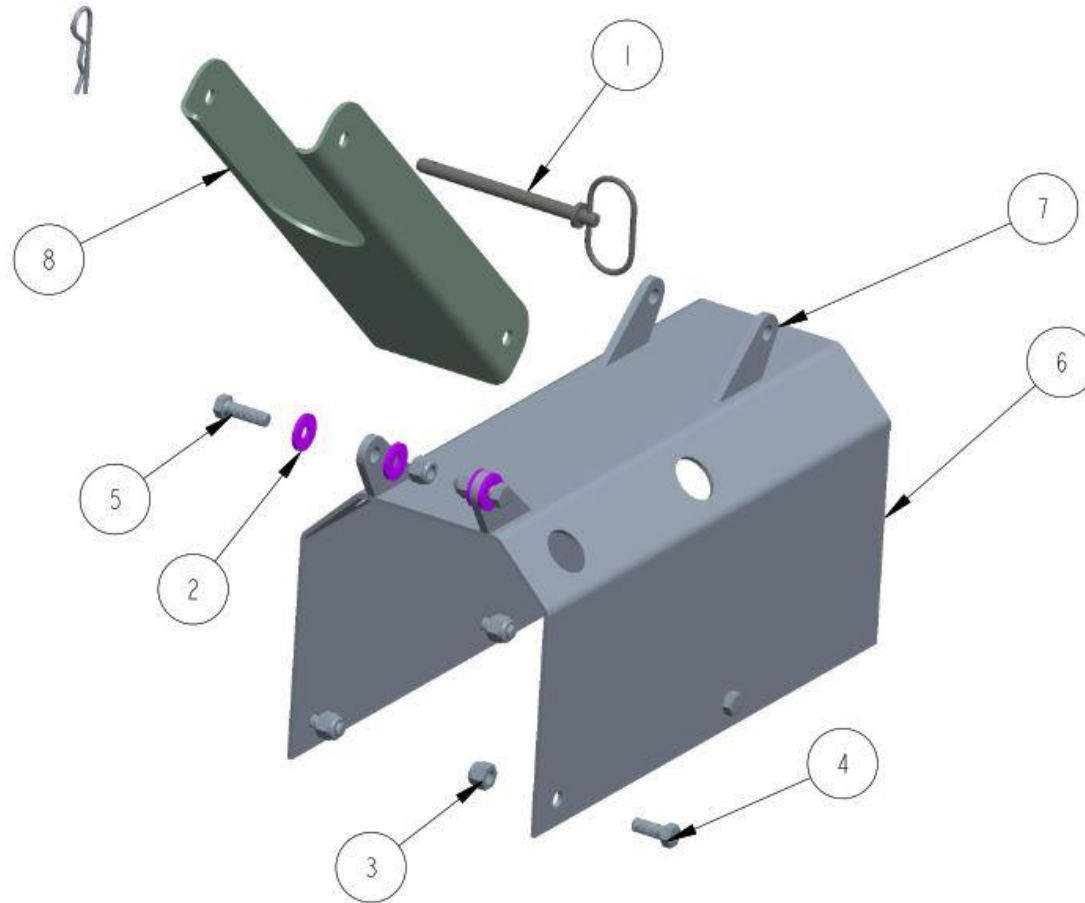


6.948	May-12-22	SHAFT ASSEMBLY FOR LST	300-31815	LSTTPMB-05
-------	-----------	------------------------	-----------	------------

7.1.7:LST Shaft Guard Assembly

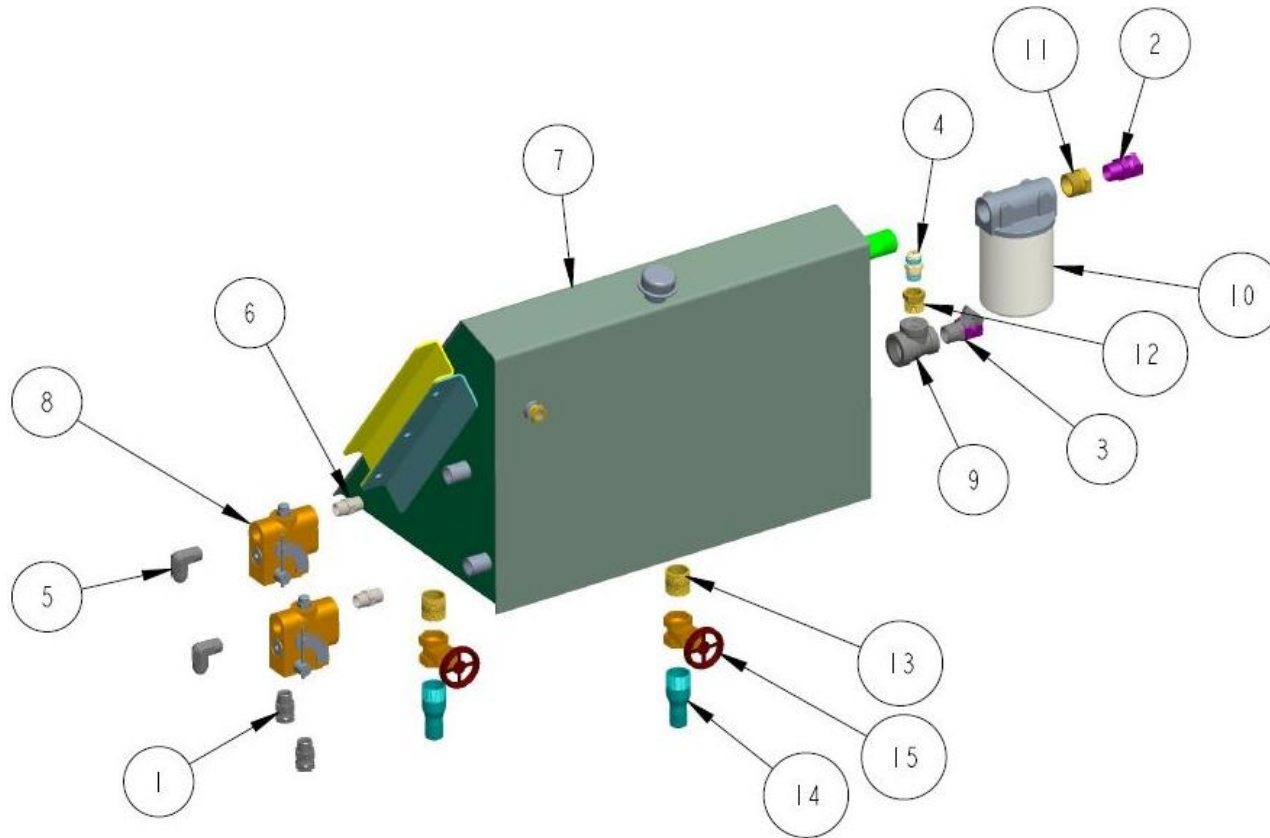


ITEM	QTY.	PART NO.	WARREN PART NO.	DESCRIPTION	WEIGHT
1	1	18SDH004TSC	300-32283	PIN - HITCH - 3/8" DIA - 4-1/4" USABLE LENGTH	0.233
2	4	FF-00015	900-80106	3/8 FLAT WASHER ZN	0.021
3	6	FF-00219	900-80114	3/8-16 NYLON INSERT LOCKNUT ZN	0.030
4	4	FF-00224	900-80120	3/8-16 X 1 HEX CAP SCREW GR 8 YEL ZN	0.047
5	2	FF-00229	900-80128	3/8-16 X 1-1/4 HEX CAP SCREW GR 8 YEL ZN	0.054
6	1	LSTTPMB-06	300-31816	LST PUMP GUARD	12.862
7	4	LSTTPMB-08	300-31818	PIVOT TAB FOR TRIVE LINE SUPPORT	0.167
8	1	LSTTPMB-09	300-31819	LST DRIVE SHAFT SUPPORT	3.363



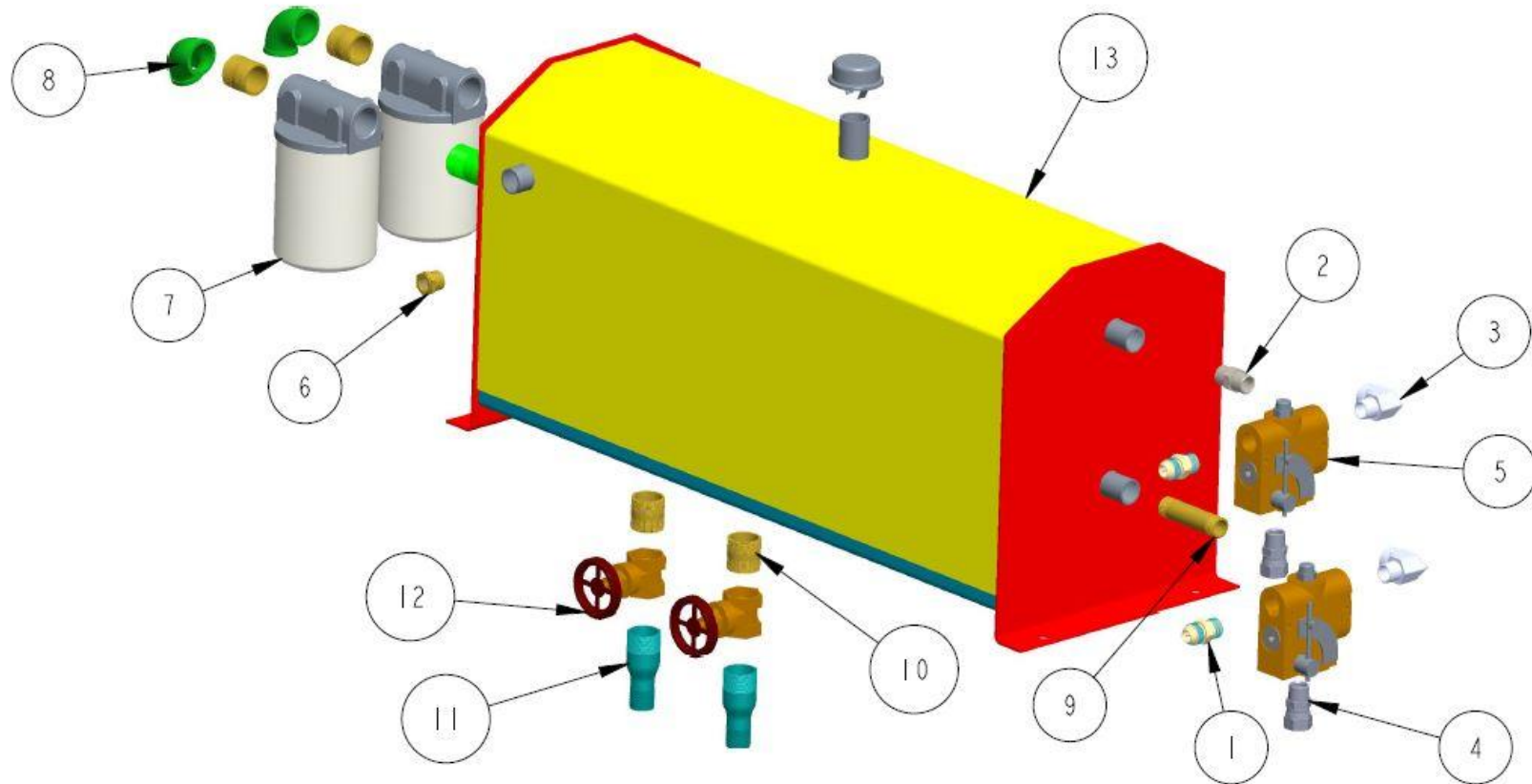
16-May-16	GUARD ASSEMBLY FOR LST DRIVE LINE	300-31820	LSTTPMB-GUARD
-----------	-----------------------------------	-----------	---------------

7.1.8:LS Tank With Hydraulics



ITEM	QTY.	WARREN PART NO.	DESCRIPTION
1	2	400-80007	3/4" STRAIGHT SWIVEL
2	2	400-80155	ADAPTER-1"NPTMX1"NPTFM-SW
3	1	400-80223	ELBOW-1"NPTMX1"NPTFM-45 DEG-SW
4	1	400-80093	ADAPTER-3/4"NPTMX3/4"JICM
5	2	400-80111	ELBOW-3/4"NPTMX3/4"JICM-90 DEG
6	2	400-80037	ADAPTER-3/4"NPTMX3/4"NPTM
7	1	300-31892	OIL TANK ASSEMBLY-27 GAL-LS-TANDEM PUMP-MS
8	2	400-30076	VALVE-VAR FLOW CONTROL-2000 PSI REL
9	1	400-80079	TEE-1-1/4"NPTFMX1"NPTFMX1"NPTFM-BP
10	1	400-80035	FILTER-HYDRAULIC OIL-ASSEMBLY
11	1	400-80147	BUSHING-1-1/4"NPTMX1"NPTFM-BP
12	1	400-80006	BUSHING-1"NPTMX3/4"NPTFM-BP
13	2	400-80173	NIPPLE-1-1/4"NPT-CLOSE-BP
14	2	400-80210	NIPPLE-1-1/4"NPT-KING
15	2	400-80047	VALVE-1-1/4" GATE

7.1.9:LST Tank With Hydraulics



ITEM	QTY.	WARREN PART NO.	DESCRIPTION
1	2	400-80093	ADAPTER-3/4"NPTMX3/4"JICM
2	1	400-80037	ADAPTER-3/4"NPTMX3/4"NPTM
3	2	400-80214	ELBOW-3/4"NPTMX3/4"NPTFM
4	2	400-80290	ADAPTER-3/4"NPTMX3/4"JICFM-SW
5	2	400-30076	VALVE-VAR FLOW CONTROL-2000 PSI REL
6	1	400-80086	SIGHT GAUGE
7	2	400-80035	FILTER-HYDRAULIC OIL-ASSEMBLY
8	2	400-80289	ELBOW-1-1/4" X 1" NPT BP
9	1	400-80171	NIPPLE-3/4"NPTX4"-BP
10	4	400-80173	NIPPLE-1-1/4"NPT-CLOSE-BP
11	2	400-80210	NIPPLE-1-1/4"NPT-KING
12	2	400-80047	VALVE-1-1/4" GATE
13	1	300-31893	TANK ASSY FOR LST

