
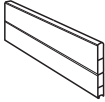
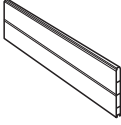

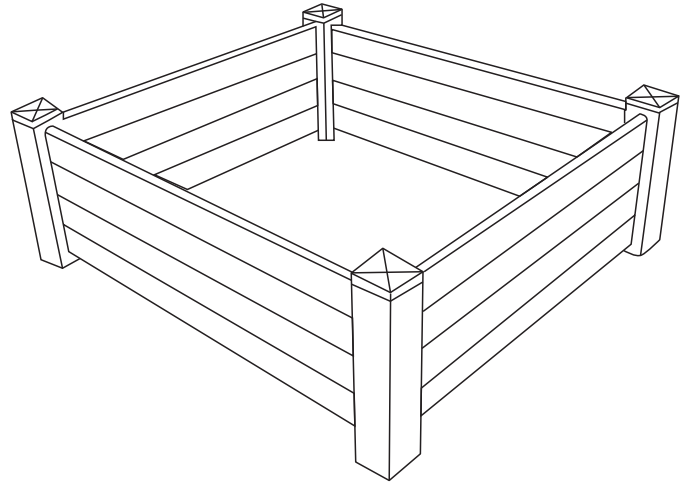


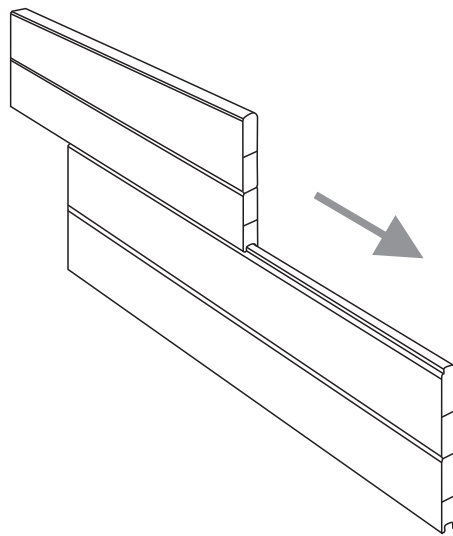


good ideas.

1		post	4
2		top panel	4
3		bottom panel	4
4		cap	4



① 1pc top panel and 1pc bottom panel assemble together.



② Then insert into post's hole, cover the cap .

