

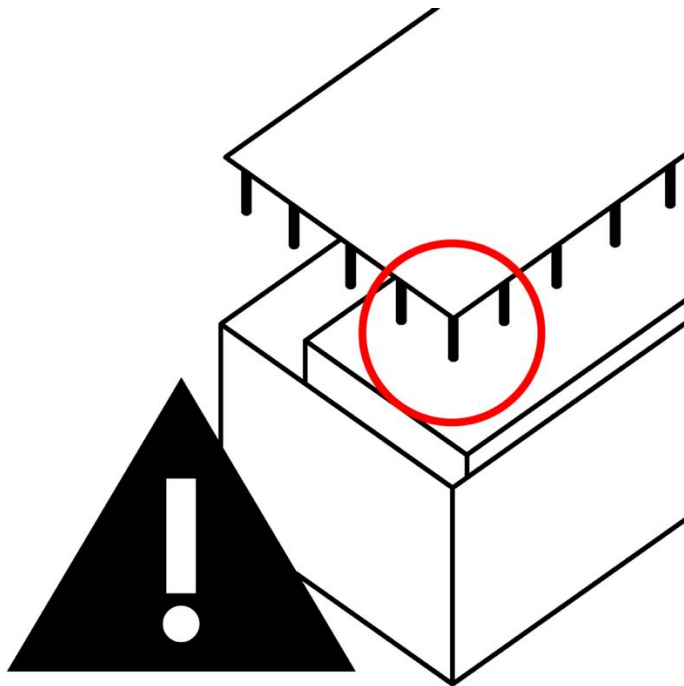


# SETUP MANUAL

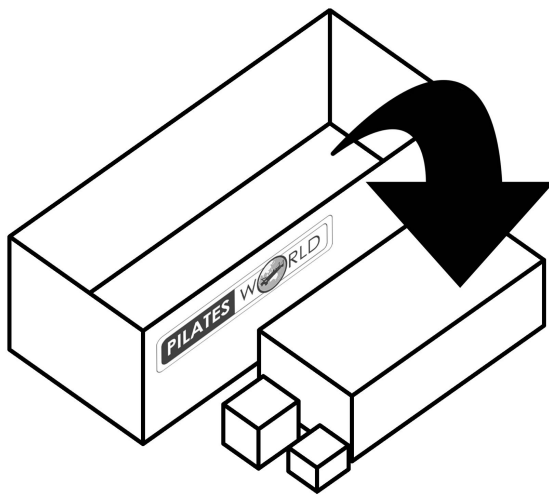
PP-Fold-05



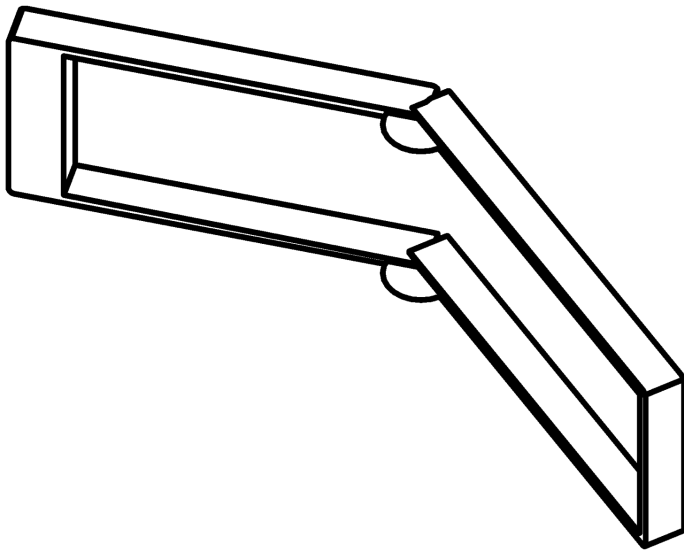
Open the crate. Take care, the small clips present are a danger to the vinyl carriage.



Lift out the smaller packages. Next, lift out the frame with 2 people taking care not to bend the frame.

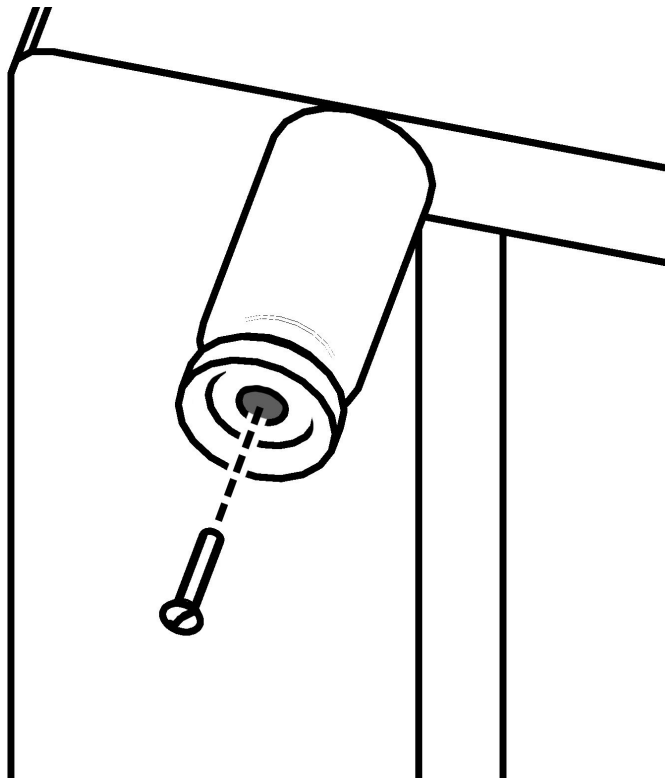


It is recommended that you unfold the base of the reformer just over half way, and stand it on its side for easier leg assembly. Be sure to do this on a carpet or towel to protect your reformer from scratches.

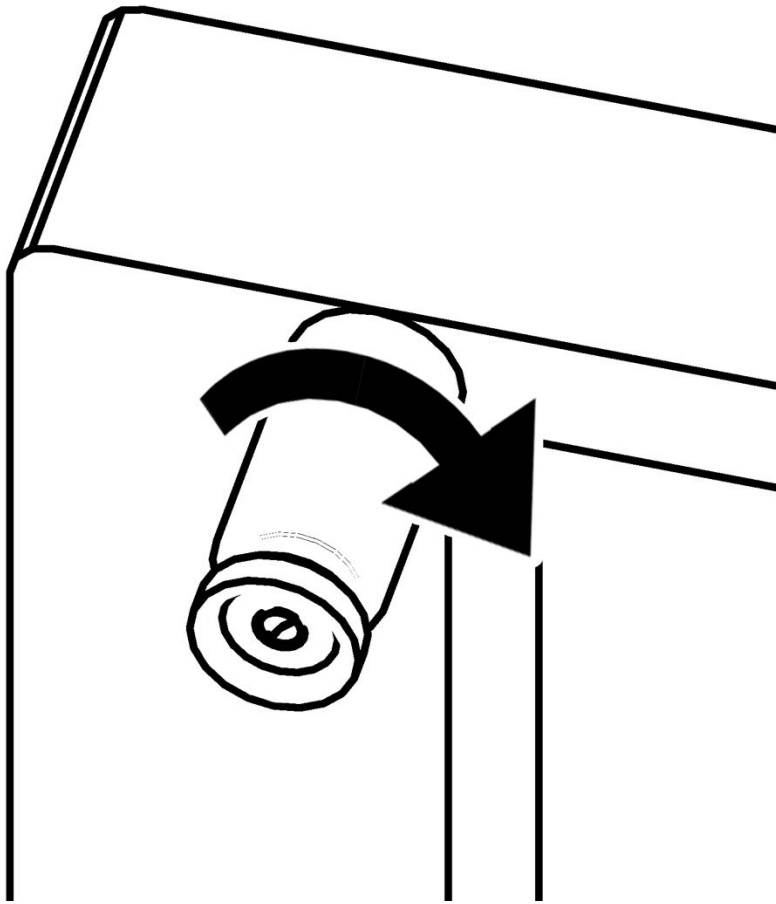


**IMPORTANT: To ensure your safety and the longevity of your machine, please pay special attention when assembling the feet.**

First; there is a screw already in the bottom of each foot. Screw each foot into the frame using a screwdriver ensuring the leg and foot are both loose when securing the threaded rod.

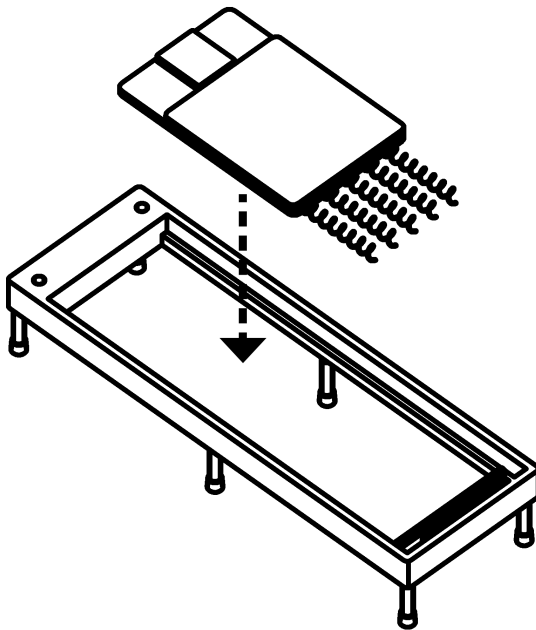


Then tighten the barrel of each leg with your hand.

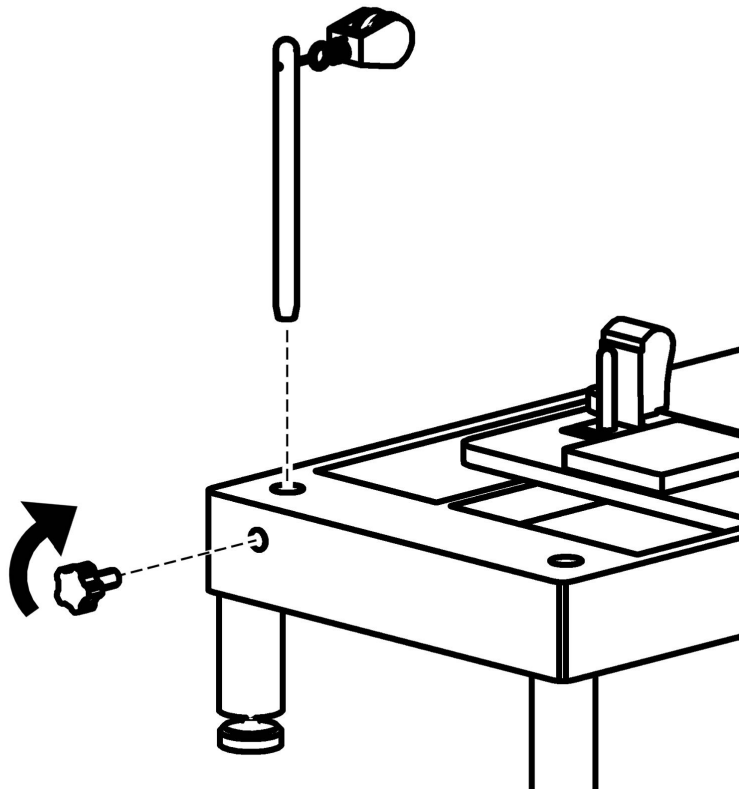


You can now safely adjust the height of your reformer by turning the foot.

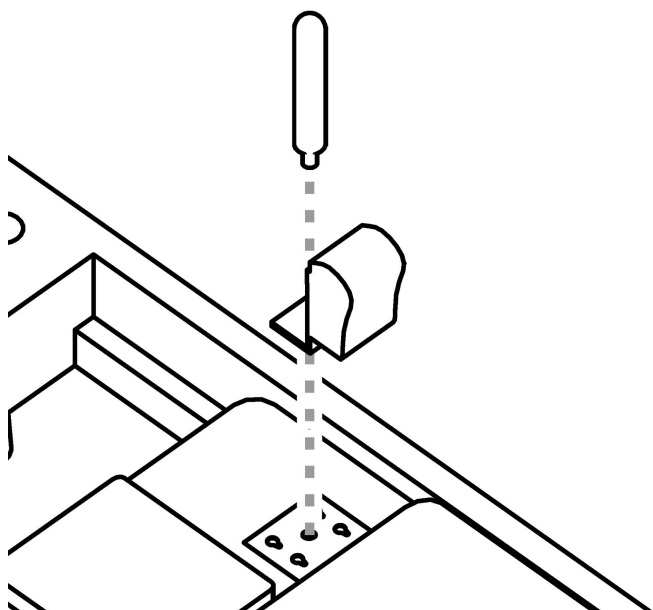
Place reformer right way up, and place the carriage in.



Place the pulley risers in the pulley riser holes ensuring that the screw that holds them in is loose enough to allow them to go in freely. Then, tighten them using the hand screws.



Keeping at least one carriage spring attached for safety; next add the shoulder rests and secure them using the shoulder rest securing poles.



# Ropes

