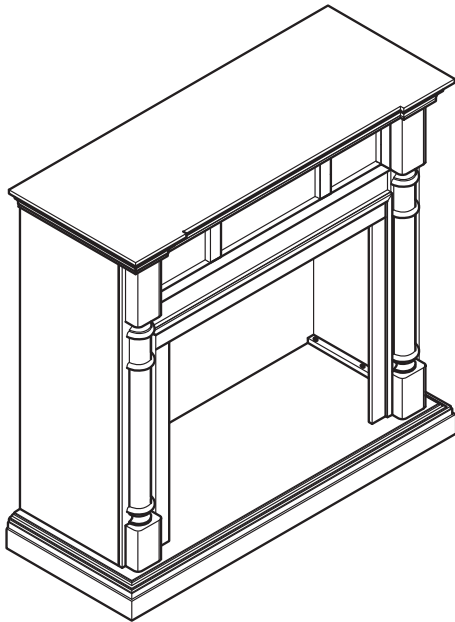
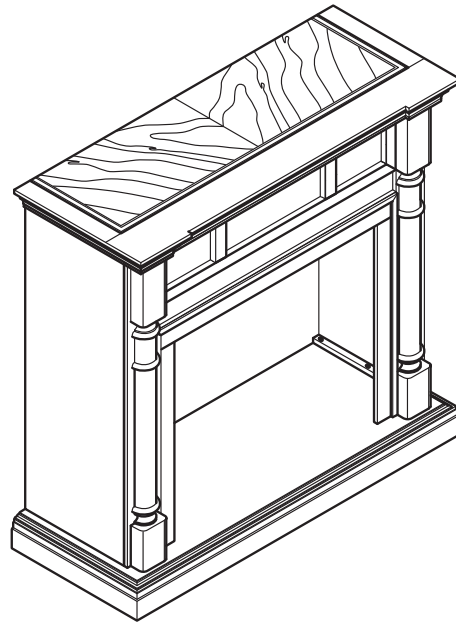


AMHERST CABINET MANTEL

OWNER'S MANUAL ASSEMBLY AND OPERATING INSTRUCTIONS



ANTIQUE WHITE
MODEL CM500-2-AW
SKU#: 170103



WALNUT FINISH
MODEL CM500-2-WN
SKU#: 170104

⚠ WARNING: Read and follow all warnings and instructions in this manual to avoid personal injury or property damage.

INSTALLER: Leave this manual with the appliance.
CONSUMER: Retain this manual for future reference.



Questions, problems, missing parts? Before returning to your retailer, call our customer service department at 1-855-607-6557, 8:00 am - 4:30 pm CST, Monday through Friday or email contact@factorybuysdirect.com



**FACTORY
BUYS
DIRECT.COM**

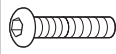



**Providing Factory Direct Pricing and
Exceptional Products**

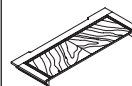
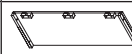
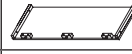
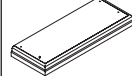
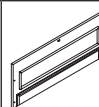
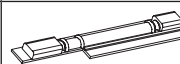
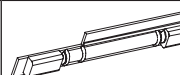
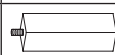
PRODUCT FEATURES

AMHERST CABINET MANTEL

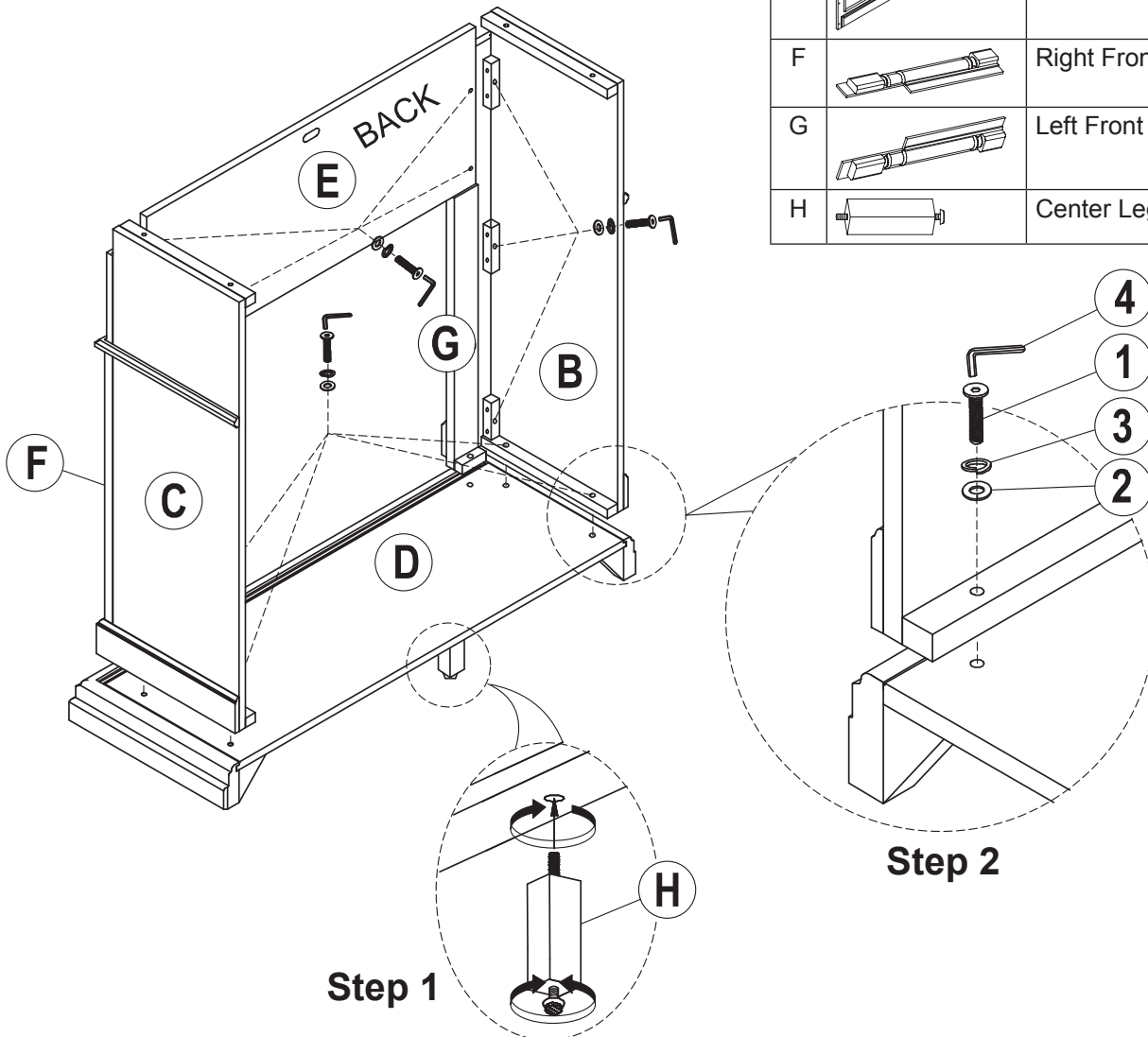
MODEL CM500-2-AW (SKU# 170103) & CM500-2-WN (SKU# 170104)

⚠ WARNING: Wood and MDF are considered combustible materials. Manufacturer's recommended heat clearances must be followed. Before installing, check your local building codes and the manufacturer's instructions for your specific fireplace insert or stove.

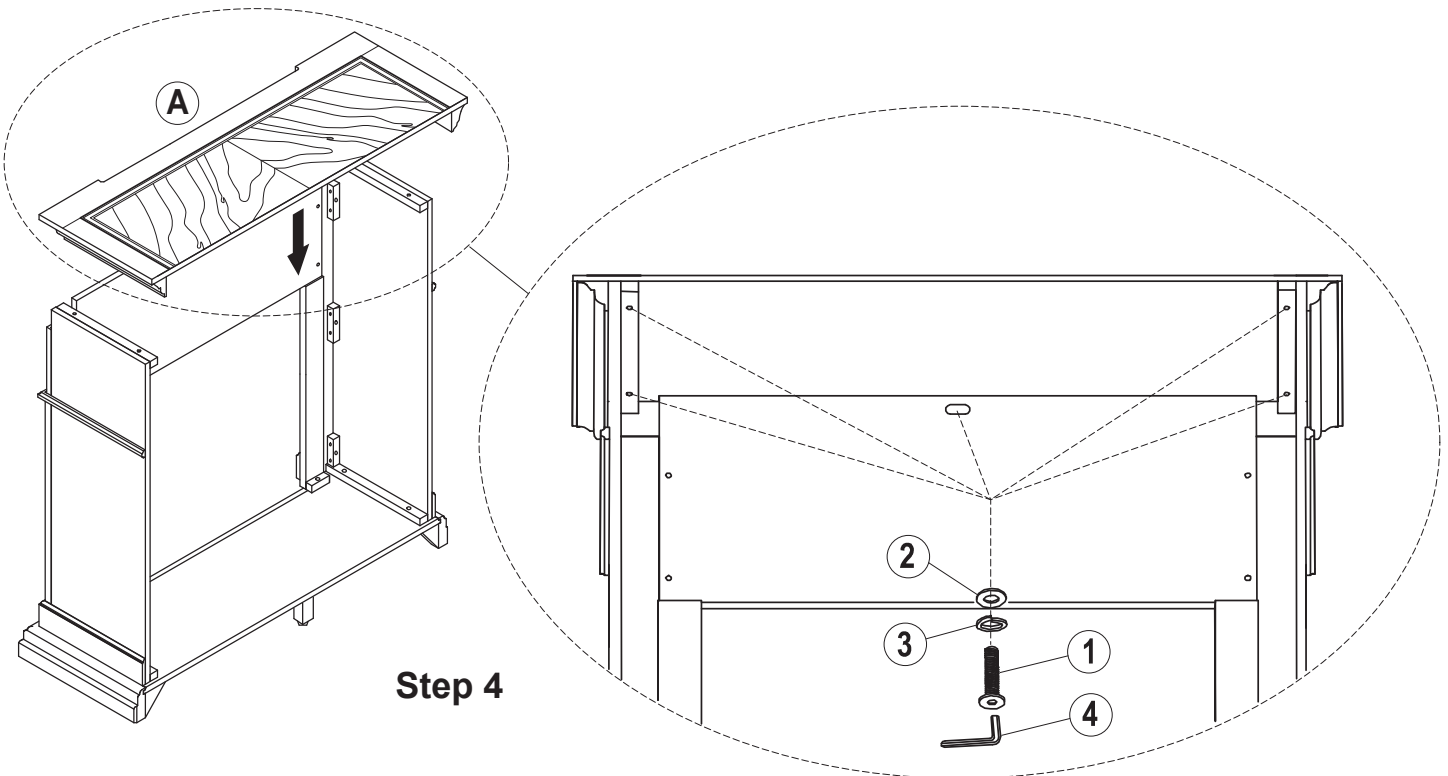
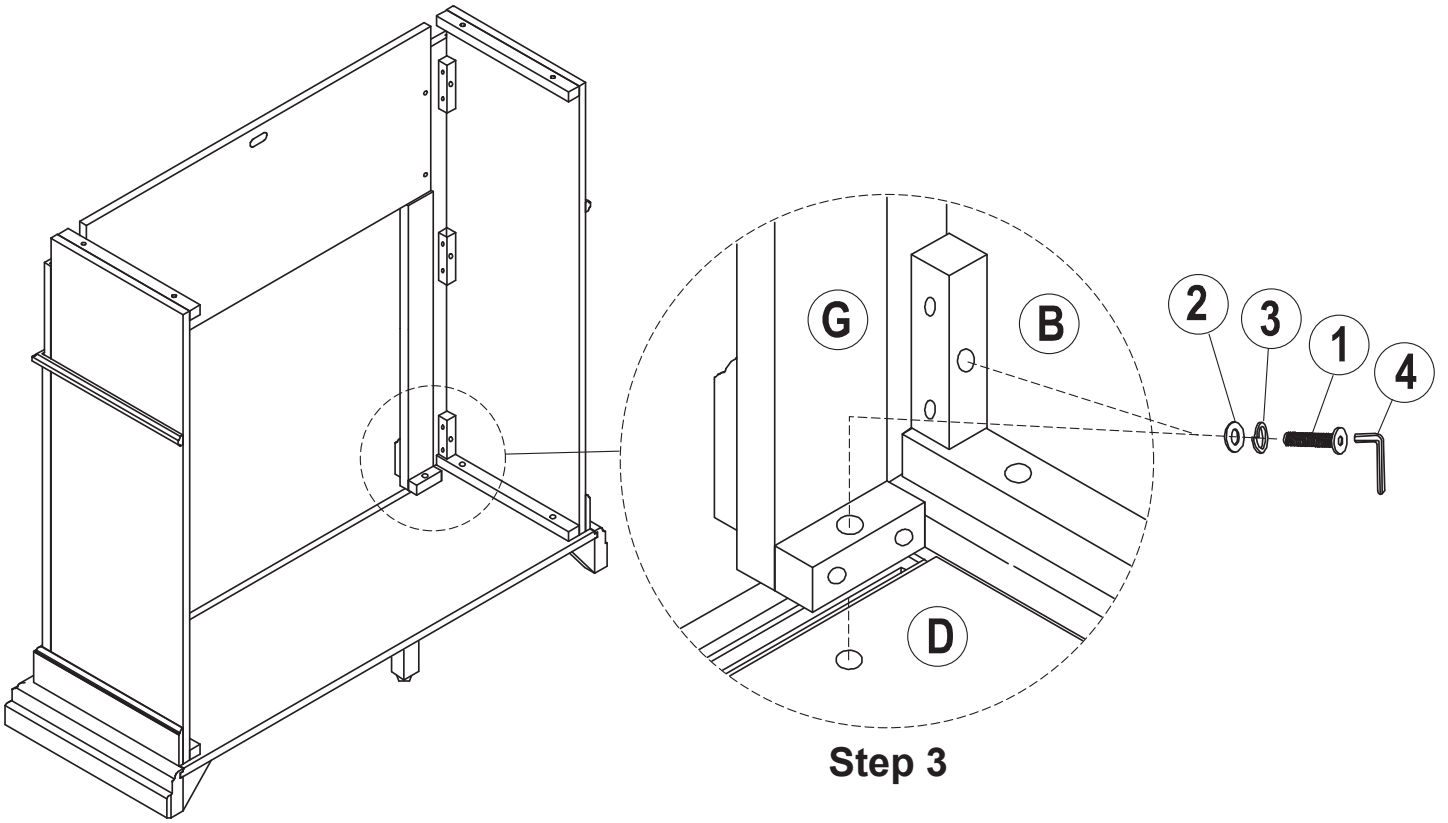
Hardware List			
No.	Drawing	Description	Qty
1		Allen Bolt 1/4" x 32 mm	21
2		Flat Washer 1/4" x 16 x 1.5 mm	21
3		Spring Washer 1/4"	21
4		Allen Wrench 4 mm	1

Component List			
No.	Drawing	Description	Qty
A		Top Panel	1
B		Left Side Panel	1
C		Right Side Panel	1
D		Bottom Panel	1
E		Front Panel	1
F		Right Front Post	1
G		Left Front Post	1
H		Center Leg	1

ASSEMBLY INSTRUCTIONS



ASSEMBLY INSTRUCTIONS



WARRANTY

KEEP THIS WARRANTY

Model _____

Serial No. _____

Date Purchased _____

Keep receipt for warranty verification.

REGISTER YOUR PRODUCT AT WWW.FACTORYBUYSDIRECT.COM

FACTORY BUYS DIRECT LIMITED WARRANTIES

New Products

Standard Warranty: Factory Buys Direct warrants this new product and any parts thereof to be free from defects in material and workmanship for a period of one (1) year from the date of first purchase from an authorized dealer provided the product has been installed, maintained and operated in accordance with Factory Buys Direct's warnings and instructions. For products purchased for commercial, industrial or rental usage, this warranty is limited to 90 days from the date of first purchase.

Factory Reconditioned Products

Limited Warranty: Factory Buys Direct warrants factory reconditioned products and any parts thereof to be free from defects in material and workmanship for a period 30 days from the date of first purchase from an authorized dealer provided the product has been installed, maintained and operated in accordance with Factory Buys Direct's warnings and instructions. No return will be authorized. Parts will be provided to repair the product.

Terms Common to All Warranties

The following terms apply to all of the above warranties:

Always specify model number and serial number when contacting the manufacturer. To make a claim under this warranty, the bill of sale or other proof of purchase must be presented.

This warranty is extended only to the original retail purchaser when purchased from an authorized dealer, and only when installed by a qualified installer in accordance with all local codes and instructions furnished with this product.

This warranty covers the cost of part(s) required to restore this product to proper operating condition and an allowance for labor when provided by a Factory Buys Direct Authorized Service Center or a provider approved by Factory Buys Direct. Warranty parts must be obtained through authorized dealers of this product and/or Factory Buys Direct who will provide original factory replacement parts. Failure to use original factory replacement parts will void this warranty.

Traveling, handling, transportation, diagnostic, material, labor and incidental costs associated with warranty repairs, unless expressly covered by this warranty, are not reimbursable under this warranty and are the responsibility of the owner.

Excluded from this warranty are products or parts that fail or become damaged due to misuse, accidents, improper installation, lack of proper maintenance, tampering or alteration(s).

This is Factory Buys Direct's exclusive warranty, and to the full extent allowed by law; this express warranty excludes any and all other warranties, express or implied, written or verbal and limits the duration of any and all implied warranties, including warranties of merchantability and fitness for a particular purpose to one (1) year on new products and 30 days on factory reconditioned products from the date of first purchase.

Factory Buys Direct makes no other warranties regarding this product.

Factory Buys Direct's liability is limited to the purchase price of the product and Factory Buys Direct shall not be liable for any other damages whatsoever under any circumstances including direct, indirect, incidental, or consequential damages.

Some states do not allow limitations on how long an implied warranty lasts or the exclusion or limitation of incidental or consequential damages, so the above limitation or exclusion may not apply to you.

This warranty gives you specific legal rights, and you may also have other rights which vary from state to state.



**FACTORY
BUYS
DIRECT.COM**

Factory Buys Direct.com
2701 Industrial Drive
Bowling Green, KY 42101
1-855-607-6557

200504-01
Rev. A
12/18