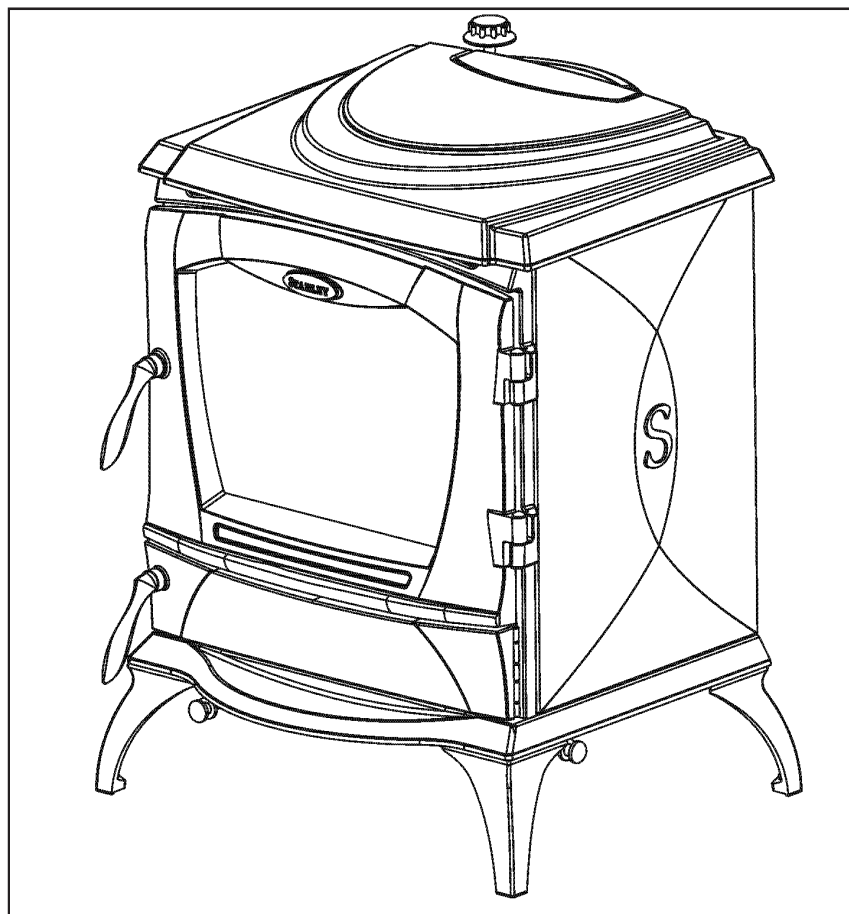




Reginald Boiler Solid Fuel Stove

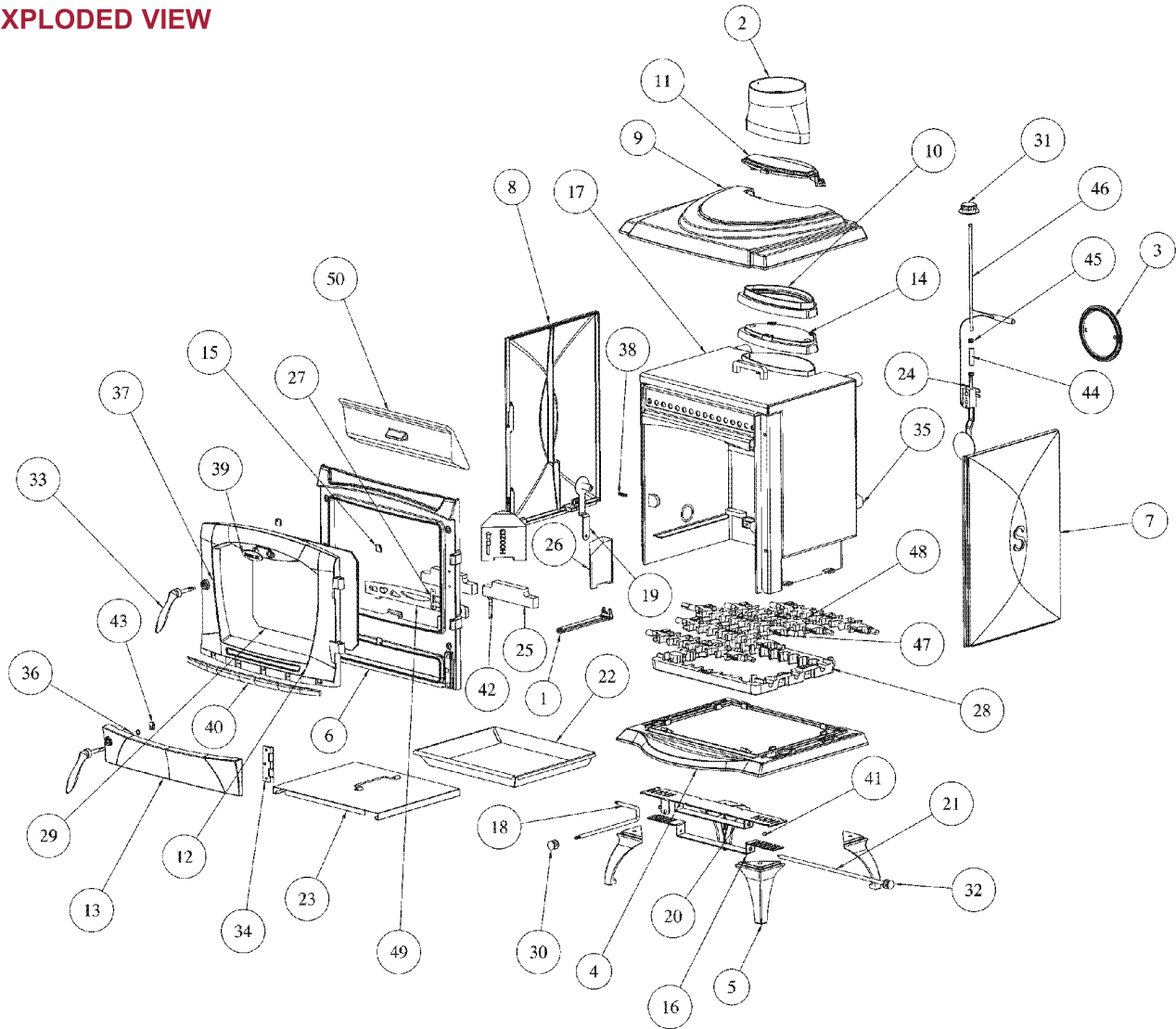


INSTALLATION AND OPERATING INSTRUCTIONS

This appliance is hot while in operation and retains its heat for a long period of time after use. Children, aged or infirm persons should be supervised at all times and should not be allowed to touch the hot working surfaces while in use or until the appliance has thoroughly cooled.

When using the boiler stove in situations where children, aged and/or infirm persons are present a fire-guard must be used to prevent accidental contact with the stove. The fireguard should be manufactured in accordance with BS 8423:2002.

EXPLODED VIEW



- | | |
|--|---|
| 1. OPERATING TOOL - B00009DZZ | 26. BACK CORNER BRICK - H00213AXX |
| 2. TOP FLUE OUTLET - B00053AZZ | 27. SERIAL NUMBER PLATE - N00234BXX |
| 3. FLUE BLANKING PLATE - B00064AZZ | 28. FIREBAR FRAME - Q00766AXX |
| 4. BASE - B00594AZZ | 29. GLASS - T00100AXX |
| 5. STOVE LEG - B00595AZZ | 30. PULL ROD KNOB - U00001AXX |
| 6. FRONT - B00596AZZ | 31. AIR CONTROL KNOB - U00006AXX |
| 7. LEFT HAND SIDE - B00597AZZ | 32. AIR WASH KNOB - U00077AXX |
| 8. RIGHT HAND SIDE - B00598AZZ | 33. DOOR HANDLE - U00191AXX |
| 9. HOB - B00599AZZ | 34. HINGE - U00193AXX |
| 10. TOP FLUE CONNECTION PLATE - B00600AZZ | 35. BOILER PLUG - V00016AXX |
| 11. HOB FILLER PIECE - B00601AZZ | 36. SPACER TO DOOR HANDLE - V00035AXX |
| 12. FIREDOOR - B00602AXX | 37. SPACER - V00489AXX |
| 13. ASH DOOR- B00603AXX | 38. COMPRESSION SPRING - V00564AXX |
| 14. TOP FLUE BLANKING PLATE - B00609AXX | 39. BADGE - V00912AXX |
| 15. DOOR GLASS CLIP - F00003AXX | 40. FRONT STRIP - V00932AXX |
| 16. DAMPER PLATE - F00910AXX | 41. SPACER - V00956AXX |
| 17. BOILER - F01008AXX | 42. HINGE PIN (Cam Action) - V01071AXX |
| 18. RIDDLING ROD - F01015AXX | 43. DOOR CATCH - V00985AXX |
| 19. RIDDLING LINK BAR - F01016AXX | 44. RUBBER EXTENSION - V01026AXX |
| 20. COVER PLATE - F01018AXX | 45. CONSTANT TENSION CLAMP - V01027AXX |
| 21. DAMPER ROD - F01019AXX | 46. THERMOSTAT CONTROL ROD - V01028AXX |
| 22. ASHPAN - F01023AXX | 47. FIREBAR DRIVER - Z00040AXX |
| 23. ASHPAN COVER - F01024AXX | 48. FIREBAR DRIVEN - Z00041AXX |
| 24. QWX THERMOSTAT - G00479AXX | 49. FIRE FENCE - Z00042AXX |
| 25. FRONT BRICK - H00209AXX | 50. FLUE CLEANING DOOR - Z00045AXX |