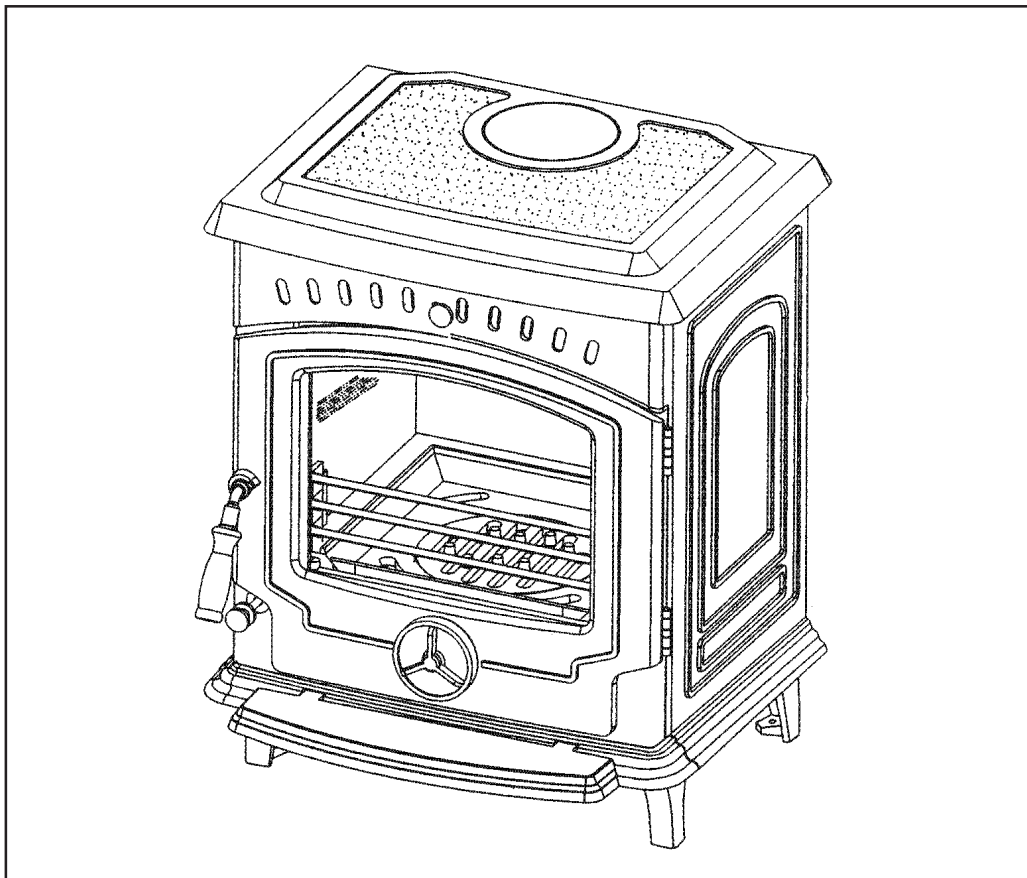

PLEASE RETAIN



Tara Boiler / Non Boiler & DHW Solid Fuel Stove

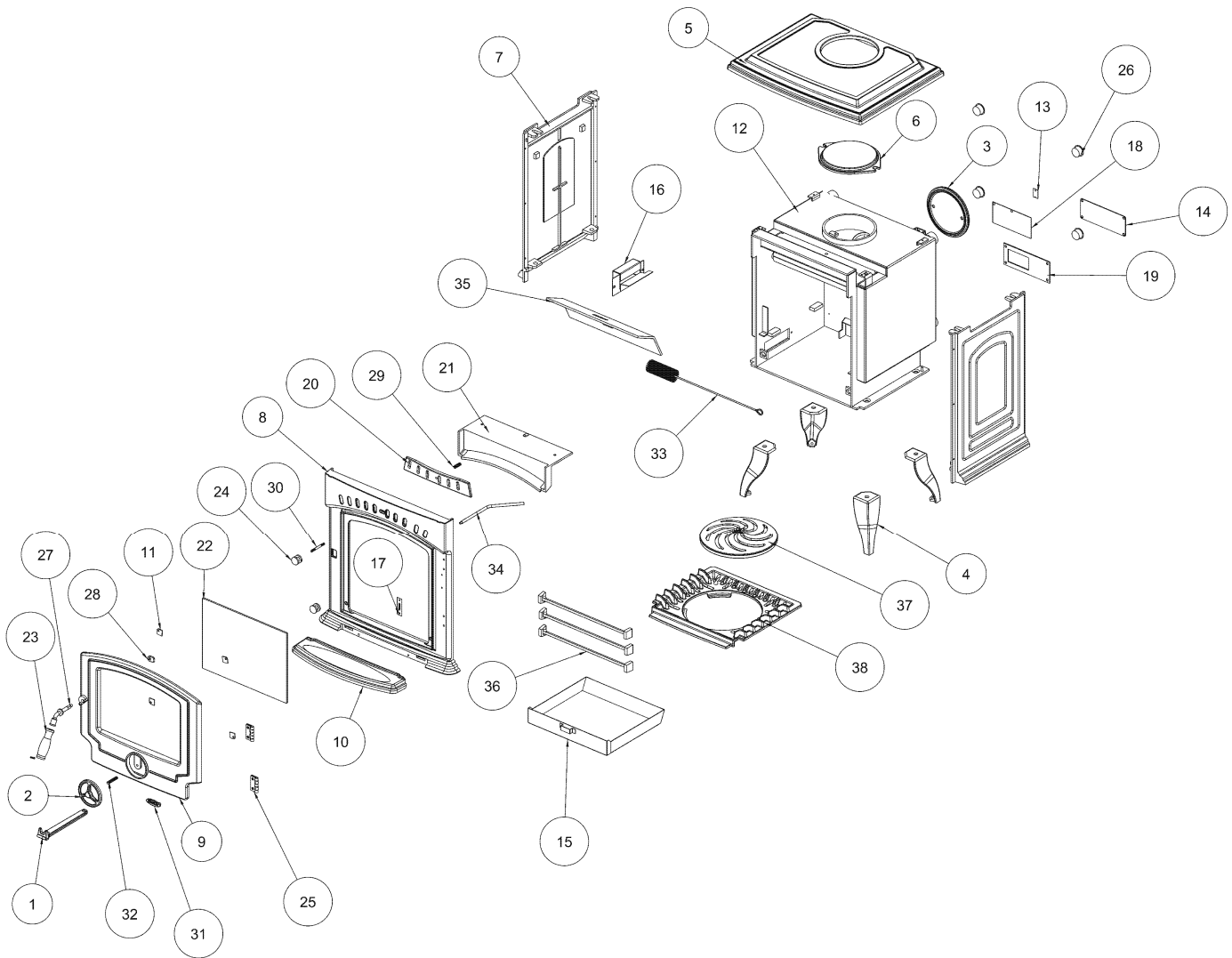


WARNING: This appliance is hot while in operation and retains its heat for a long period of time after use. children, aged or infirm persons should be supervised at all times and should not be allowed to touch the hot working surfaces while in use or until the appliance has thoroughly cooled.

When using the boiler stove in situations where children, aged and/or infirm persons are present a fire-guard must be used to prevent accidental contact with the stove. The fireguard should be manufactured in accordance with BS 8423:2010.

INSTALLATION AND OPERATING INSTRUCTIONS

TARA HPB EXPLODED VIEW



- | | |
|---|---|
| 1. OPERATING TOOL - B0009DZZ | 23. DOOR HANDLE LONG - U0009AXX |
| 2. SPIN VALVE - B00012AZZ | 24. AIR WASH KNOB - U00077AXX |
| 3. FLUE BLANKING PLATE - B00064AZZ | 25. HINGE - U00153AXX |
| 4. LEG - B00077BZZ | 26. BOILER PLUG - V00016AXX |
| 5. HOB - B00209AZZ | 27. DOOR HANDLE AXLE - V00022BXX |
| 6. HOB BLANKING PLATE- B00210AZZ | 28. DOOR LATCH - V00023AXX |
| 7. SIDE PANEL - B00211BZZ | 29. SPRING (RS 751-584) - V00151AXX |
| 8. FRONT PANEL - B00257JBZZ | 30. AIR WASH SHUTTER SHAFT - V00158AXX |
| 9. FRONT DOOR - B00258CZZ | 31. BADGE - V00730BXX |
| 10. ASHTRAY FRONT - B00259AZZ | 32. M8 X 44 SPINDLE - V00763AXX |
| 11. DOOR GLASS CLIP - F00003AXX | 33. FLUE CLEANING BRUSH - V00986AXX |
| 12. TARA BOILER - F00224GXX | 34. PULL ROD - V00992AXX |
| 13. RATING PLATE HOOK - V01072AXX | 35. TOP BAFFLE - Z00017AXX |
| 14. BLANKING PLATE - F01029AXX | 36. FIRE FENCE - Z00020AXX |
| 15. ASHPAN - F01076AXX | 37. GRATE - Z00036AXX |
| 16. PULL ROD BOX - F01077AXX | 38. GRATE SUPPORT - Z00046AXX |
| 17. SERIAL NUMBER PLATE - N00234BXX | |
| 18. DATA PLAQUE - N00443AXX | |
| 19. OSA DAMPER GASKET - P00101AXX | |
| 20. SECONDARY AIR WASH SHUTTER - Q00247AXX | |
| 21. AIR WASH PLATE - Q00564AXX | |
| 22. GLASS WINDOW - T00009AXX | |