

---

**PLEASE RETAIN**



# **Stanley Aoife Solid Fuel NB Stove**



**This appliance is hot while in operation and retains its heat for a long period of time after use. Children, aged or infirm persons should be supervised at all times and should not be allowed to touch the hot working surfaces while in use or until the appliance has thoroughly cooled.**

***When using the stove in situations where children, aged and/or infirm persons are present a fireguard must be used to prevent accidental contact with the stove. The fireguard should be manufactured in accordance with BS 8423:2010.***

**INSTALLATION AND OPERATING INSTRUCTIONS**

---

---

## TABLE OF CONTENTS

	<b>PAGE NO.</b>
1. Stanley Solid Fuel Stove Warranty .....	3
2. Installation Checklist .....	4
3. Important Operation/ Maintenance Notes .....	5
4. Installation & Operating Instructions .....	6
5. General .....	6
6. Pre Installation Assembly .....	6
7. Flues .....	7
8. Chimney .....	7
9. Top Flue Exit .....	7
10. Rear Flue Exit .....	7
11. Down Draughts .....	8
12. Ventilation & Combustion Air Requirements .....	8
13. Location .....	9
14. Clearance to Combustibles .....	9
15. Floor Protection .....	9
16. Stove Dimensions .....	10
17. Commissioning & Handover .....	10
18. Operation .....	10
19. Air Settings .....	10
20. Recommended Fuels .....	11
21. Lighting .....	11
22. User Instructions .....	12
23. Refuelling .....	12
24. Slow Burning .....	12
25. De-Ashing .....	13
26. Disposal of Ash .....	13
27. Monthly Maintenance .....	13
28. Periodic Maintenance .....	13
29. Chimney Cleaning .....	13
30. Glass Cleaning .....	13
31. Cleaning a Matt Black/ Seno Stove .....	13
32. Prolonged Periods of Non Use .....	13
33. Fire Safety .....	14
34. CO Alarm .....	14
35. Exploded View .....	15
36. Fault Finding .....	16
37. Fault Finding .....	17



## STANLEY SOLID FUEL STOVE WARRANTY

### CONDITIONS OF WARRANTY

Your Stanley Solid Fuel Stove is guaranteed against any part that fails (under normal operating conditions) as detailed in the following table with timelines specified from the date of installation of the appliance. If the unit is not installed within six months of date of purchase, the warranty will commence six months from the date of purchase.

Warranty Period	Parts Covered (Parts & Labour unless Stated)
Up to 1 Year	<ul style="list-style-type: none"> <li>• Refractory materials (supply only)</li> <li>• Rope seals, glass seals and cement seals.</li> <li>• Surface Finish on Seno models.</li> <li>• Grates and fire bars.</li> <li>• Ceramic glass is covered for Thermal breakage (supply only).</li> <li>• Rust (if reported before installation)</li> <li>• Aesthetic Damage (provided reported on date of receipt)</li> </ul>
Up to 5 Years	<ul style="list-style-type: none"> <li>• All external castings &amp; enamel finishes (excluding impact damage or damage caused by overfiring). Pictures of damage must be submitted to WS Service Department.</li> </ul>
Up to 3 Years	<ul style="list-style-type: none"> <li>• Boiler - A Leaking Boiler Report must be conducted by an Authorised Stanley Service Engineer and submitted to WS Service Department for review.</li> </ul>

All warranty claims must be reported to the Waterford Stanley Service Department and must be submitted with the product serial number (located on the base casting), date of purchase, proof of purchase (if requested) and details of the specific nature of the problem.

The warranty is given only to the original consumer/purchaser only and is non transferable. The appliance must be installed by a suitable qualified person and installed as per the requirements of the manual. Failure to comply with the Installation Requirements or Building Regulation requirements will void your warranty. Waterford Stanley reserve the right to replace any part due to manufacturing defect that fails within the warranty period under the terms of the warranty. The unit must be used for normal domestic purposes only and in accordance with manufacturer's operation instructions.

### LIMITS OF LIABILITY

The warranty does not cover:

- \* Special, incidental or consequential damages, injury to persons or Property, or any other consequential loss.
- \* Any issue caused by negligence, misuse, abuse or circumstances beyond Waterford Stanley's control.
- \* Any issue with wear and tear, modification, alteration, or servicing by anyone other than an authorized service engineer.
- \* Installation and operational related problems such as draught related issues external to the stove, inadequate venting or ventilation, excessive flue offsets, negative air pressure caused by insufficient burning of improper fuel.
- \* Damage caused to the unit while in transit.
- \* Enamel discolouration due to over firing, enamel damage caused by impact, damage to baffles caused by over firing and fading of surface finish on casting.
- \* Stress fractures on bricks.
- \* Rust on cast iron parts unless reported prior to unit being installed.
- \* Aesthetic damage, rust & missing parts on units purchased off display.

**Note:** Adequate clearance must be maintained around the appliance to ensure the ease of part removal in the possible event of their damage/failure. Waterford Stanley are not responsible for any costs incurred in the removal of items installed in the vicinity of the appliance that have to be moved to facilitate a part replacement.

## INSTALLATION CHECK LIST

### *Flue System*

Tick

1. Minimum Flue Height of 4.6 metres (15 feet).
2. Appliance should be connected to a 125mm (5") flue pipe within a metre and then the flue size increased to a minimum of 150mm (6") diameter.
3. The horizontal flue run should not exceed 150mm (6")
4. All flue pipework passing through walls must be sleeved & adequately insulated in line with current Building Regulations.
5. Appliance should be connected to a chimney of less than 200mm (8") in diameter (otherwise the chimney must be lined with a 6" flue liner).
6. The chimney/ flue termination must be located in accordance with building regulations part J.
7. The chimney serving this appliance should not serve any other appliance.
8. Access should be provided to the chimney serving the appliance to allow for cleaning.
9. It is a requirement by Building Regulations to have a carbon monoxide alarm fitted to any room with a solid fuel appliance.

### *Location*

10. Clearance to combustible materials must be adhered to as described in the Clearance to Combustible section.
11. The stove must be installed on a floor protector that covers the area under the stove and extends 18" to the front & 8" to the sides and back.
12. Clearance must be maintained to allow for maintenance and part replacement.

### *Ventilation & Combustion Air Requirements*

13. The room in which the appliance is located should have an air vent of adequate size to support correct combustion (see Ventilation & Combustion Air Requirement Section for specific details).
14. The stove must not be installed in the same room as an extractor fan.

---

## IMPORTANT OPERATION / MAINTENANCE NOTES

Now that your Stanley solid fuel Stove is installed and no doubt you are looking forward to many comforts it will provide, we would like to give you some tips on how to get the best results from your stove.

1. We would like if you could take some time to read the operating instructions/hints, which we are confident, will be of great benefit to you.
2. Do not burn fuel with a high moisture content, such as a damp peat or unseasoned timber. This will only result in poor performance, a build up of tar in the stove and in the chimney.

<b>FUEL CALORIFIC VALUES - SOLID FUELS</b>		
Anthracite 25-50mm	C.V.: 8.2kW/Kg	14,000 BTUs/lb
House Coal 25-75mm	C.V.: 7.2kW/Kg	12,000 BTUs/lb
Timber - Firebox size	C.V.: 5.0kW/Kg	8,600 BTUs/lb
Peat Briquettes	C.V.: 4.8kW/Kg	8,300 BTUs/lb
Bog Peat	C.V.: 3.4kW/Kg	6,000 BTUs/lb

3. **IMPORTANT:** The first few fires should be relatively small to permit the refractory to set properly and season the stove. During these firings it is recommended to ventilate the room as an unpleasant (not toxic) odour may be emitted as the paint is completing curement.
4. **INSPECT THE FLUE-WAYS OF THE STOVE EVERY WEEK AND ENSURE THAT THERE ARE NO BLOCKAGES. PLEASE SEE CHIMNEY CLEANING SECTION.**
5. Before loading fresh fuel into the firebox, riddle fully to remove all ashes. This will allow better and cleaner burning. See Re-Fuelling Section.
6. Never allow a build up of ashes in the ash pan, as this will cause the grate to burn out prematurely.
7. Avoid slow burning of damp or unseasoned fuel as this will result in tarring flue ways and chimney i.e. peat or timber.
8. Allow adequate air ventilation to ensure plenty of air for combustion.
9. Do not burn rubbish/household plastic.
10. Clean the chimney at least twice a year.
11. Burning soft fuels such as timber and peat will stain the glass. Regular cleaning will prevent permanent staining.
12. Keep all combustible materials a safe distance away from unit, please see section for clearances to combustibles.
13. For safety reasons never leave children unaccompanied while stove is in use.
14. Avoid contact with unit when in use as stove reaches very high operating temperatures.
15. Never use aerosol spray near the appliance when it is in operation.

# AOIFE SOLID FUEL STOVE INSTALLATION & OPERATING INSTRUCTIONS

**NOTE:** Please note that it is a legal requirement under England & Wales Building Regulations that the installation of the stove is either carried out under Local Authority Building Control approval or is installed by a Competent Person registered with a Government approved Competent Persons Scheme. HETAS Ltd operate such a Scheme and a listing of their Registered Competent Persons can be found on their website at [www.hetas.co.uk](http://www.hetas.co.uk).

## GENERAL

When installing, operating and maintaining your Aoife Stove respect basic standards of fire safety. Read these instructions carefully before commencing the installation. Failure to do so may result in damage to persons or property. Consult your local Municipal office and your insurance representative to determine what regulations are in force. Save these instructions for future reference.

Special care must be taken when installing the stove such that the requirements of the Health & Safety at Work Act are met.

### Handling

Adequate facilities must be available for loading, unloading and site handling.

### Fire Cement

Some types of fire cement are caustic and should not be allowed to come into contact with the skin. In case of contact with the skin wash immediately with plenty of water.

### Asbestos

This stove contains no asbestos. If there is a possibility of disturbing any asbestos in the course of installation then please seek guidance and use appropriate protective equipment.

### Metal Parts

When installing or servicing this stove care should be taken to avoid the possibility of personal injury.

## IMPORTANT WARNING

This stove must not be installed into a chimney that serves any other heating appliance. There must not be an extractor fan fitted in the same room as the stove as this can cause the stove to emit fumes into the room.

The complete installation must be done in accordance with current Standards and Local Codes. Refer the installer to the current issues of British Standards BS EN 15287-1:2007 design, installation and commissioning of chimneys. BS EN 14336:2004: Heating Systems in Buildings. Installation and commissioning of water based heating systems. BS EN 12828: 2003; Heating Systems in Buildings. Design of water based heating systems. BS EN 12831: 2003; Heating Systems in Buildings. Method for calculation of the design heat load. As applicable to the appliance.

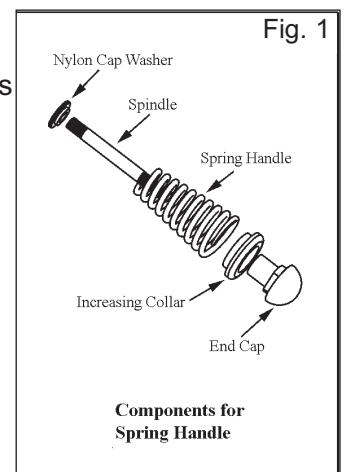
Refer to the current issues of British Standards BS EN 15287-1:2007 design, installation and commissioning of chimneys. BS EN 14336:2004: Heating Systems in Buildings. Installation and commissioning of water based heating systems. BS EN 12828: 2003; Heating Systems in Buildings. Design of water based heating systems. BS EN 12831: 2003; Heating Systems in Buildings. Method for calculation of the design heat load. As applicable to the appliance.

## PRE-INSTALLATION ASSEMBLY

1. After removing the stove from its packaging, open the fire door and remove all contents from the ashpan.
2. Fit the fire door handle by screwing into the fire door axle.
3. Remove the stove from the pallet and position it in the final installation position (See Location & Clearance to Combustibles Section).

Your Aoife stove is supplied with the following items:

- Black Spring Handle Assembly (see fig. 1)
- Glove
- Ashpan
- Operating Tool
- Installation and Operating Manual
- Legs
- Leg Fixing Bolts
- Spigot
- Spigot Fixing Bolts
- Allen Wrench



## FLUES

Flues should be vertical wherever possible and where a bend is necessary, it should not make an angle of more than 45° with the vertical. Horizontal flue runs should be avoided except in the case of a back outlet connection where the length of the horizontal section should not exceed 150mm.

## CHIMNEY

The Aoife is a radiant room heater and must be connected to a chimney of the proper size and type. The chimney must have a diameter of at least 150mm. Never connect to a smaller size chimney. Do not connect to a chimney serving another appliance. Minimum chimney height 4.5 meters from floor on which stove is installed. The stove is supplied with a 5" flue spigot, the flue installation will require a 5" to 6" increaser which must be fitted within 1 meter of flue outlet.

A flue that has proved to be unsatisfactory, particularly with regard to down draught should not be used for venting this appliance until it has been examined and any faults corrected. An existing masonry chimney should be inspected and if necessary repaired by a competent mason or relined using an approved lining system.

The stove must be connected to a chimney with a minimum continuous draught of 0.06 w.g. Poor draught conditions will result in poor performance.

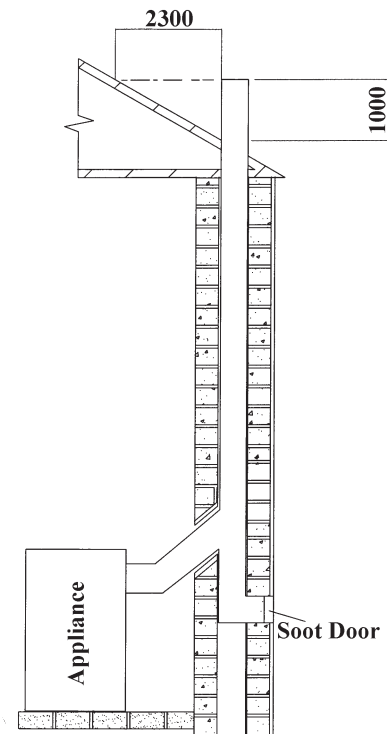
All register plates, restrictor plates, damper etc., which could obstruct the flue at a future date should be removed before connecting this appliance.

If connecting to an existing chimney with a flue diameter of more than 8" it is recommended to line the flue using a suitable stainless steel flue liner.

Where a masonry chimney is not available a proprietary type of 6"/150mm - twin wall, fully insulated pipe may be used. The pipe must terminate at a point not lower than the main ridge of adjacent outside obstructions. With such installation, access to the chimney must be provided for cleaning purposes.

A chimney / flue termination must be located to minimise wind effects, a basic guide is that the distance from the termination to the roof should be at least 2300mm when measured horizontally and at least 1000mm when measured vertically, (see Fig.2). In circumstances where there are adjoining buildings/ structures / roof openings there are additional requirements, please refer to building regulations part J.

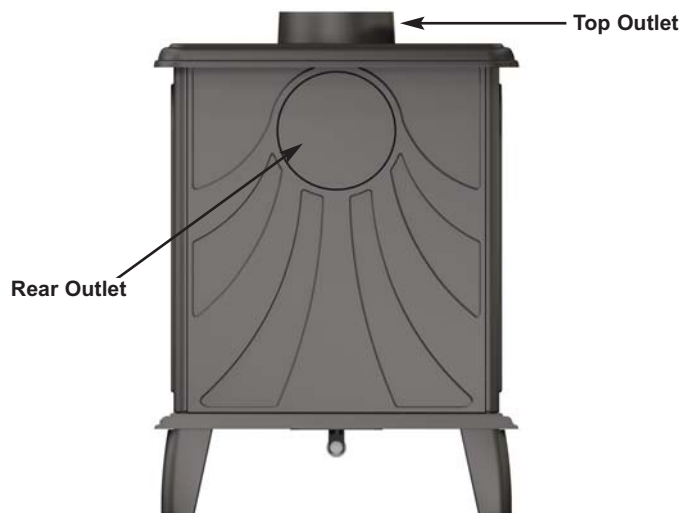
Fig. 2



## TOP FLUE EXIT

For the top outlet configuration, remove the blanking plate from the hob, remove the flue spigot from the back plate and fix it to the hob. Fix the outlet blanking plate to back plate (see Fig. 3). Push the flue outlet connector pipe (not supplied) into the flue spigot and cement into place using approved fire cement ensuring that no cement blocks the flue passageway.

Fig.3



## REAR FLUE EXIT

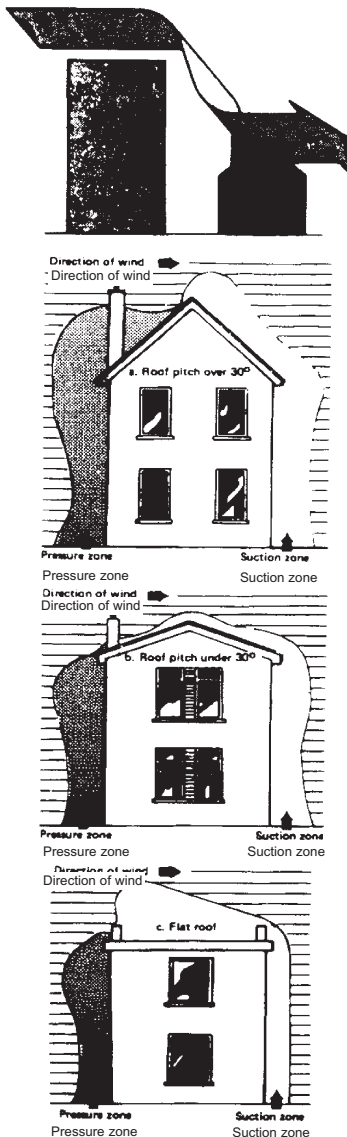
Push the flue connector pipe (not supplied) into the flue spigot and cement into place using approved fire cement ensuring that no cement blocks the flue passageway.

## DOWN DRAUGHTS

However well designed constructed and positioned, the satisfactory performance of the flue can be adversely affected by down draught caused by nearby hills, adjacent tall buildings or trees. These can deflect wind to blow directly down the flue or create a zone of low pressure over the terminal.

A suitable terminal or cowl will usually effectively combat direct down blow but no cowl is likely to prevent down draught due to a low pressure zone. (See Fig.4)

Fig.4



## VENTILATION AND COMBUSTION AIR REQUIREMENTS

It is imperative that there is sufficient air supply to the stove in order to support correct combustion. The air supply to this appliance must comply with current Building Regulations Part J, Heat Providing Appliances. If another appliance is fitted in an adjacent room it will be necessary to calculate an additional air supply.

All materials used in the manufacture of air vents should be such that the vent is dimensionally stable, corrosion resistant, and no provision for closure.

The effective free area of any vent should be ascertained before installation. The effect of any grills should be allowed for when determining the effective free area of any vent.

Air vents should be positioned so that they are not liable to blockage.

Air vents direct to the outside of the building should be located so that any air current produced will not pass through normally occupied areas of the room.

An air vent outside the building should not be located less than the dimensions specified within the Building Regulations and B.S. 8303: Part 1 from any part of any flue terminal. These air vents must also be satisfactorily fire proofed as per Building Regulations and B.S. 8303: Part 1.

Air vents in internal walls should not communicate with bedrooms, bedsits, toilets, bathrooms or rooms containing a shower.

Air vents traversing cavity walls should include a continuous duct across the cavity. The duct should be installed in such a manner as not to impair the weather resistance of the cavity.

Joints between air vents and outside walls should be sealed to prevent the ingress of moisture. Existing air vents should be of the correct size and unobstructed for the appliance in use.

If there is an extraction fan fitted in adjacent rooms where this appliance is fitted, additional air vents may be required to alleviate the possibility of spillage of products of combustion from the appliance/flue while the fan is in operation. Refer to B.S. 8303 Part 1.

Where such an installation exists, a test for spillage should be made with the fan or fans and other appliances using air in operation at full rate, (i.e. extraction fans, tumble dryers) with all external doors and windows closed.

If spillage occurs following the above operation, an additional air vent of sufficient size to prevent this occurrence should be installed.

### ***Especially Airtight Properties:-***

If the stove is being fitted in a property where the design air permeability is less than  $5\text{m}^3 / (\text{h.m}^2)$  (normally newer properties built from 2006), then a permanent ventilation must be fitted to provide  $550\text{mm}^2$  of ventilation for each kW of rated output.



## LOCATION

There are several conditions to be considered in selecting a location for your Aoife Stove.

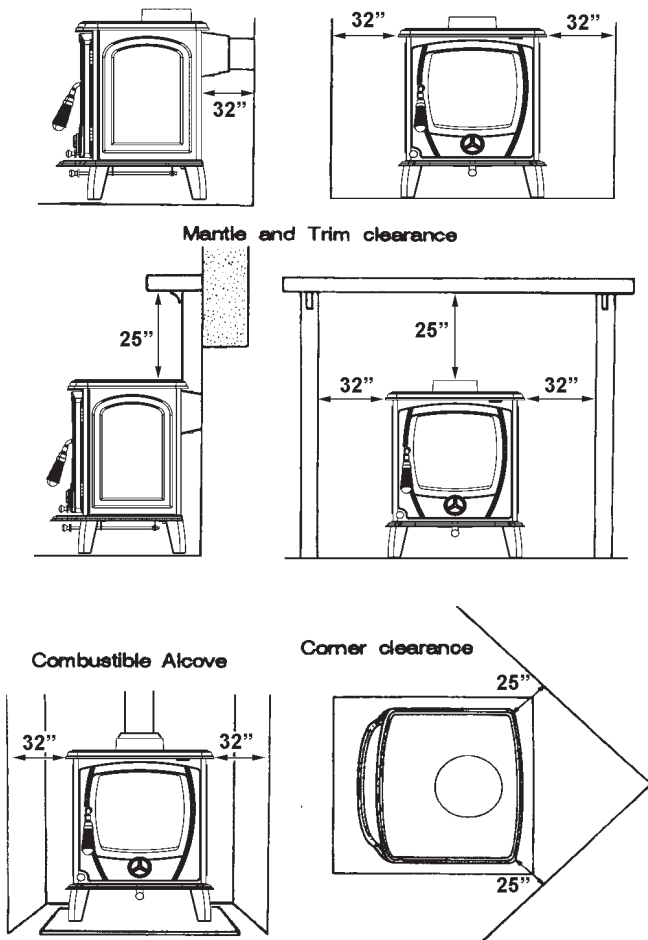
- Position in the area to be heated - central locations are usually best.
- Allowances for proper clearances to combustibles.
- Allowances for proper clearances for maintenance work.

## CLEARANCE TO COMBUSTIBLES

Side wall to stove	32" 800mm
Back wall to stove	32" 800mm
Corner	25" 635mm
Mantle clearance	25" 635mm

It is recommended that this appliance is sited next to and on a non-combustible surface. A minimum all round clearance of 150mm will allow air circulation and not impede the performance of the stove. (See Fig.5).

Fig.5

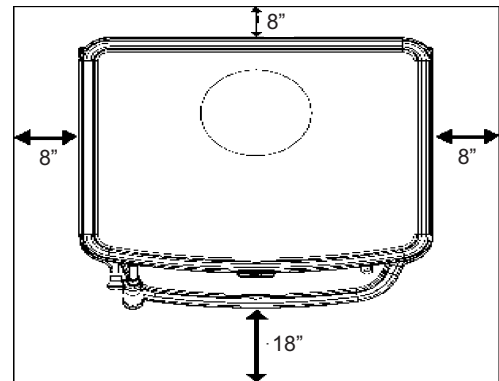


The connector may pass through walls or partitions constructed of combustible materials provided the connector is either listed for wall pass-through or is routed through a device listed for a wall pass-through and is installed in accordance with the conditions of the listing. Any unexposed metal that is used as part of a wall pass-through system is exposed to flue gases shall be constructed of suitable stainless steel or other equivalent material that will resist corrosion, softening, or cracking from flue gas at temperatures up to 982°C.

## FLOOR PROTECTION

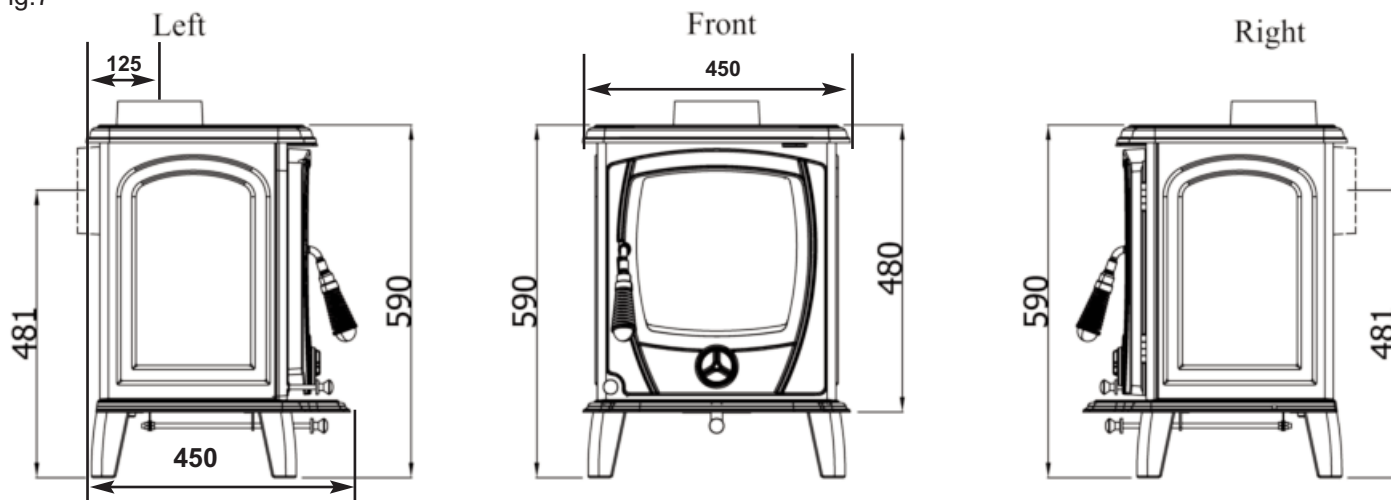
When installing this heater on a combustible floor, a floor protector, consisting of a layer of non-combustible material at least 3/8" thick covered with 1/8" sheet metal is required to cover the area under the heater and extend to at least 18" at the front and 8" to the sides and rear. This will provide protection from sparks and embers which may fall out from the door when stoking or fuelling. (See Fig.6)

Fig.6



## STOVE DIMENSIONS

Fig.7



**Note:** Dimensions stated are in millimetres and may be subject to a slight +/- variation.

## COMMISSIONING & HANDOVER

On completion of the installation allow a suitable period of time for any fire cement and mortar to dry out, when a small fire may be lit and checked to ensure the smoke and fumes are taken from the stove up the chimney and emitted safely to the atmosphere. **Do not run at full output for at least 24 hours.**

On completion of the installation and commissioning ensure that the operating instructions for the stove are left with the customer. Ensure to advise the customer on the correct use of the appliance with the fuels likely to be used on the stove and warn them to use only the recommended fuels for the stove.

Advise the user what to do should smoke or fumes be emitted from the stove. The customer should be warned to use a fire guard to BS 8423:2010 in the presence of children, aged and/or infirm persons.

## OPERATION

Check that all dampers and catches are operating correctly and ensure that all flue connections are thoroughly sealed.

## AIR SETTINGS

The stove has three independent air controls.

1. The primary air control or spin valve. Rotate the spin valve clockwise to close and anticlockwise to open. (See Fig.8).
2. The secondary air control, this is located under the base. Push to close and pull to open. (See Fig.9).
3. Window wash air control, slide to the right to open and to the left to close. (See Fig.9).

Fig.8

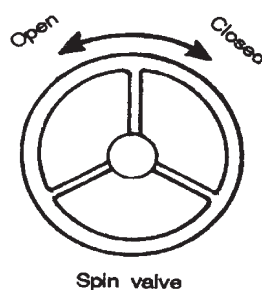
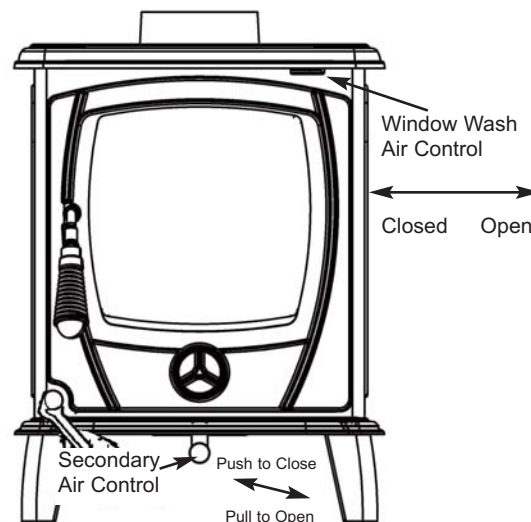


Fig.9



**NOTE:** The controls may become hot when the stove is in operation, use glove provided to adjust the controls when the stove is hot.

## RECOMMENDED FUELS

All fuels should be stored under cover and kept as dry as possible prior to use.

This appliance has been tested using seasoned wood logs and manufactured briquetted smokeless fuel (Ancit) for closed appliances, sized between 20g and 140g. Other fuels are commercially available and may give similar results. Wood logs up to 300mm long are suitable. All fuels should be stored under cover and kept as dry as possible prior to use.

Do not use fuels with a Petro-coke ingredient as this may cause the grate to overheat, causing damage. Reduced outputs will result when fuels of lower calorific values are used. Never use gasoline or gasoline type lantern fuel, kerosene, charcoal lighter fluid or similar liquids to start or freshen up a fire in this heater. Keep all such liquid well away from the heater at all times. Operate the stove only with the fuelling door closed except for re-fuelling.

This stove has obtained HETAS Ltd approval as an 'intermittent' operating appliance for burning Natural wood logs and manufactured smokeless fuels as detailed in recommended fuels below. HETAS Approval does not cover the use of other fuels either alone or mixed with the recommended fuels listed, nor does it cover instructions for the use of other fuels.

AOIFE - TECHNICAL DATA		FUEL	
		Coal	Wood
Parameter			
Max Heat Output	(kW)	7.3	6.6
Nominal Heat Output	(kW)	7.3	6.6
Output to Room	(kW)	7.3	6.6
Typical Refuel Interval To Achieve Nominal Outputs	(h)	1.00	.75
Mean Flue Gas Temp.	(°C)	311	343
Gross Weight	(kg)	105	
Flue Outlet Diameter	(mm)	125	
Wood Log Size	(mm)	N/A	300

Model	Energy Efficiency Class	Heat Output to Room	Heat Output to Water	Energy Efficiency Index	Preferred Fuel	Nominal Heat Output	Net Efficiency
Aoife	A	6.6	N/A	94.1	Wood	6.6	71.1

## LIGHTING

Before lighting the stove check with the installer that the installation work and commissioning checks described previously have been carried out correctly and that the chimney has been swept clean, is sound and free from any obstructions. As part of the stoves commissioning and handover the installer should demonstrate how to operate the stove correctly.

## USER INSTRUCTIONS

1. Open the firebox door and remove all ash from the grate & ashpan.
2. Open the primary air control (spin valve) by turning it fully anticlockwise (see Figure 10).
3. Set the secondary air slider to the required position depending on the fuel being burned i.e. open when burning wood/coal and closed when burning anthracite (see Figure 11).
4. Open the window wash control by sliding it to the right (See Figure 11).
5. Place pieces of paper & kindling on the top of the grate and add a small quantity of fuel. Light the fire and close the firebox door.
6. When a good fire is established, open the fire door and load the fuel as required.
7. Adjust the air controls as required depending on the fuel type being used & the heat output required (see Table below). All controls should be adjusted in conjunction with each other to get the appropriate burn rate with exact settings on each control depending on the draught conditions of the chimney to which the unit is connected.

**Note:** NEVER USE INFLAMMABLE LIQUID (I.E. GASOLINE, PETROL, PARRAFIN ETC.) TO START OR FRESHEN UP A FIRE.

	Primary Air Control	Secondary Air Control	Window Wash
Wood	Closed or slightly open if required	Adjust as required	Open
Coal	Adjust as required	Closed	Open
Anthracite	Adjust as required	Closed	Closed

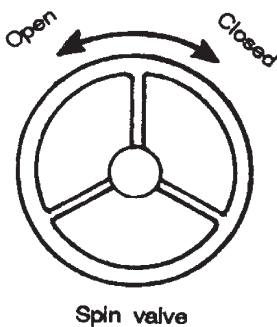


Figure 10 - Primary Air Control

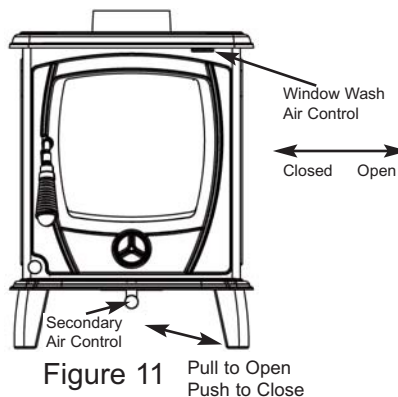


Figure 11 Pull to Open  
Push to Close

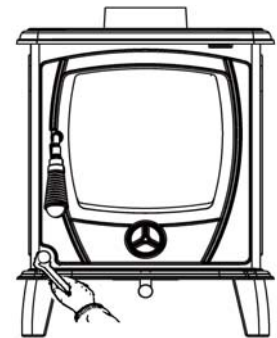


Figure 12

## REFUELLING

**NOTE:** Always use the glove provided to adjust the secondary air slider & window wash control and when opening the fire door when the appliance is hot.

**Anthracite/Coal:** Riddle the fire using the grate operating tool before refuelling. This is done by fitting the operating tool to the grate pull rod and gently pushing it in & out so has to rotate the moveable grate (see Figure 12). Before opening the door, open the spin valve fully and then add fuel as required ensuring not to overfill the fuel higher than the firebars. Close the fire door & reset the spin valve to the desired setting.

**Turf/Wood:** It is not necessary to riddle the fire prior to refuelling unless the bed of ash on the grate is affecting the desired burning of the fuel. When burning wood always close the spin valve fully during the riddling operation. Before opening the door, open the air controls fully and then add fuel as required ensuring not to overfill the fuel higher than the fire bars. Close the fire door & reset the air controls to the desired setting.

## SLOW BURNING

Slow burning will cause the window glass to blacken and should not be used for a long period. Opening the air controls will increase the heat output and should remove most of the soot deposits from the glass.

**Anthracite/Coal:** Close the secondary air slider & air wash control fully and partially open the spin valve as desired.

**Turf/Wood:** Close the spin valve & air wash control fully and open the secondary air slider by a few millimetres

## DE-ASHING

Never allow ashpan to over fill as it will cause damage to firebars.

Open the fire door and remove ashpan using the operating tool. Close the fire door. When the ash is disposed of, replace the empty ashpan. (See Fig.13).

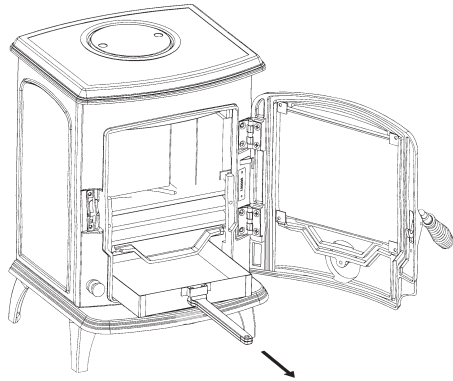


Fig.13

## DISPOSAL OF ASH

Ashes should be placed in a metal container with a tight fitting lid. The closed container of ashes should be on a non-combustible floor or on the ground well away from all combustible materials pending final disposal. If the ashes are disposed of by burial in soil or other wise locally dispersed they should be retained in the closed container until all cinders have thoroughly cooled.

**REMEMBER COAL GASES ARE TOXIC.**

## MONTHLY MAINTENANCE

### *Cleaning Stove Flue Pathways*

To access the flue pathways, the top baffle should be removed from the stove through the fire door opening and cleaned thoroughly. Remove the top baffle by lifting it at the front edge, pushing it backwards to allow the front tab of the baffle to clear the fixing lug located on the back of the front casting (see Figure 14) and then lowering it into the firebox so that it can be removed through the door opening.

## PERIODIC MAINTENANCE

### *Adjusting the Door Catch*

Over time, the fire door latch can loosen due to the continual compression and hardening of the rope seal between the door and the front casting. The position of the latch can be easily adjusted (in order to tighten the door closure) by removing the nut holding on the door latch and repositioning the washers between the latch & the door casting to allow the latch to be positioned closer to the back of the door casting — see Figure 15. The tightness of the door seal should be checked after each adjustment is made.

It is recommended that the rope seals on the stove are changed at least every two years or sooner if the seal loses its integrity.

## CHIMNEY CLEANING

The chimney should be cleaned twice annually or if the stove is not used for a prolonged period during the summer period, it should be cleaned prior to commencement of usage. The chimney can be cleaned through the stove depending on the flue configuration and the flue liner should be cleaned in accordance with manufacturer's instructions. Always use a brush with plastic bristles that is the correct size to reach all areas of the flue.

## GLASS CLEANING

The stove glass will self-clean when there is sufficient heat generated by the burning fuel i.e. when the unit is operated at the maximum air settings. If a build-up of creosote occurs on the glass it may be due to low draft conditions, poor quality fuel or operating the stove at the minimum air settings for long periods of time. The glass should be cleaned when cool and cleaned with a non-abrasive cloth using warm soapy water. For stubborn deposits, a grade 0 steel wool can be used whilst taking care not to scratch the glass with any coal/ash deposits.

## CLEANING A MATT BLACK/ SENOTHERM STOVE

Cleaning should be done when the stove is cold by removing any dust or dirt using a dry cloth. Do not use any water on the matt black/senotherm finish as this will cause it to rust. Over time the painted surface of the stove can turn greyish colour, however it can easily be freshened up with a spray paint which is available from your local retailer.

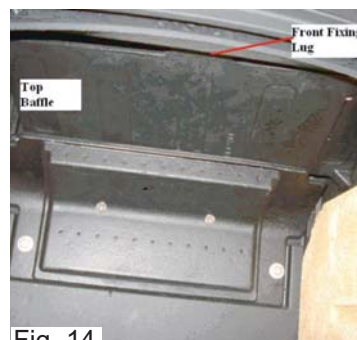


Fig. 14

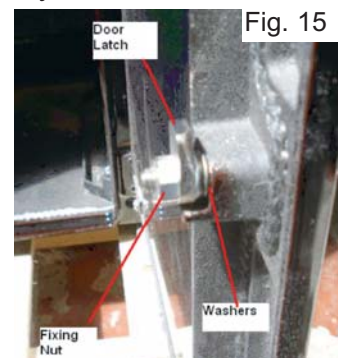


Fig. 15

## PROLONGED PERIODS OF NON USE

If the stove is to be left unused for a prolonged period of time then it should be given a thorough clean to remove ash and unburned fuel residues. To enable a good flow of air through the appliance to reduce condensation and subsequent damage, leave the air controls fully open.

It is important that the flue connection, any appliance baffles or throat plates and the chimney are swept prior to lighting up after a prolonged shutdown period.

**WARNING NOTE:**

Properly installed, operated and maintained this stove will not emit fumes into the dwelling. Occasional fumes from the de-ashing and re-fuelling may occur. However, persistent fume emission is potentially dangerous and must not be tolerated. If fume emission does persist, then the following immediate action should be taken:

- (a) Open doors and windows to ventilate room.
- (b) Let the fire out or eject and safely dispose of fuel from the stove.
- (c) Check for flue or chimney blockage and clean if required.
- (d) Do not attempt to relight the fire until the cause of the fume emission has been identified and corrected. If necessary seek expert advice.

The most common cause of fume emission is flueway or chimney blockage. For your own safety these must be kept clean at all times.

**FIRE SAFETY**

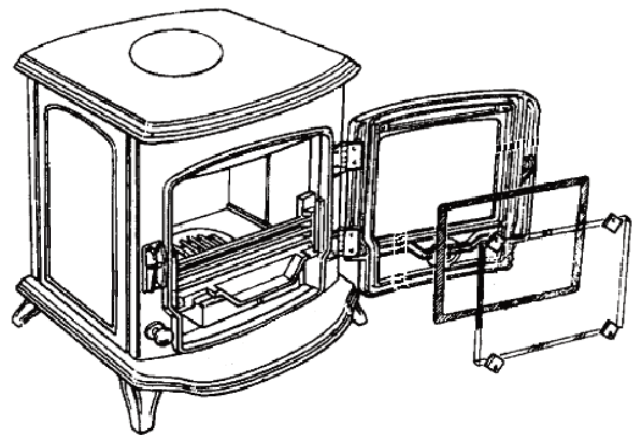
To provide reasonable fire safety the following should be given serious consideration:

1. The installation of smoke detectors.
2. A conveniently located class 'A' fire extinguisher to contend with small fires resulting from burning embers.
3. A practical evacuation plan.
4. A plan to deal with a chimney fire as follows:
  - a. Notify the fire department.
  - b. Prepare occupants for immediate evacuation
  - c. Close all openings into the stove.
  - d. While awaiting the fire department watch for ignition to adjacent combustibles from over head stove pipe or from embers or sparks from the chimney.

**Glass Replacement:** (See Fig.16)

- a. Open the door fully.
- b. Remove the four corner screws and clips and carefully remove the broken glass.
- c. Clean the glass recess in the door.
- d. Attach adhesive thermal tape to the perimeter of the replacement glass.
- e. Place the thermal tape side of the glass into the door recess and replace the four corner clips.
- f. Tighten screws.
- g. Replace glass only with ceramic glass 5mm thick.

Fig.16

**CO ALARM**

The fitting of CO Alarms in the same room as the appliance is a compulsory requirement under current Building Regulations. For ROI an additional CO Alarm must be fitted either inside each bedroom or within 5 metres of the bedroom door, refer to Building Regulations Part J. Further guidance on the installation of a carbon monoxide alarm is available in BS EN 50292:2002 and from the alarm manufacturers instructions.

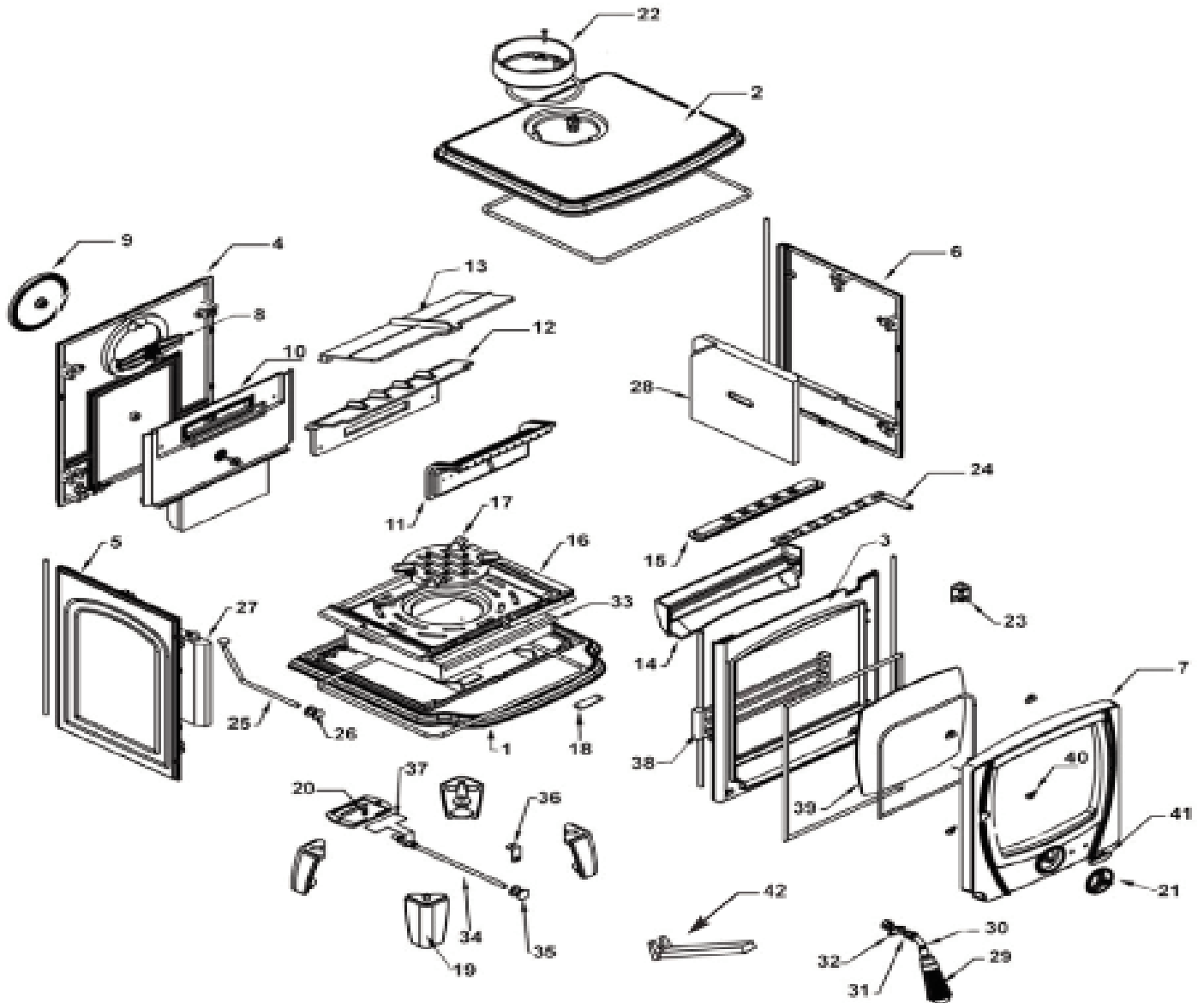
**Provision of an alarm must not be considered a substitute for either installing the appliance correctly or ensuring regular servicing and maintenance of the appliance and chimney system.**

**WARNING:-**

**If the CO Alarm sounds unexpectedly:-**

1. Open Doors and windows to ventilate the room and then leave the premises.
2. Let the fire go out.

## AOIFE SOLID FUEL STOVE EXPLODED VIEW



- |     |                                    |
|-----|------------------------------------|
| 1.  | BASE - AF0501                      |
| 2.  | HOB - AF0502                       |
| 3.  | FRONT - AF0503                     |
| 4.  | BACK - AF0504                      |
| 5.  | LH SIDE - AF0505                   |
| 6.  | RH SIDE - AF0506                   |
| 7.  | DOOR - AF0507B                     |
| 8.  | BLANKING PLATE LOCKING BAR - C125Y |
| 9.  | FLUE COVER BLANKING PLATE - C125   |
| 10. | BACK BRICK - AF0511                |
| 11. | LOWER BAFFLE - AF0517              |
| 12. | MIDDLE BAFFLE - AF0516             |
| 13. | TOP BAFFLE - AF0518-CR             |
| 14. | AIR WASH BASE - AF0509             |
| 15. | AIR WASH COVER - AF0556            |
| 16. | GRATE FRAME - AF0514-CR            |
| 17. | GRATE - AF0515-CR                  |
| 18. | DATA PLAQUE - CAL0101-ZJ           |
| 19. | LEG - AF0523                       |
| 20. | BACK AIR DAMPER - CA0903           |
| 21. | SPIN VALVE - CAF0765               |

- |     |                                   |
|-----|-----------------------------------|
| 22. | SPIGOT - I125                     |
| 23. | DOOR HINGE - CA1602               |
| 24. | AIR WASH SHUTTER - CA1113-05      |
| 25. | RIDDLING ROD - CA1401-SM05        |
| 26. | PULL ROD KNOB - CA010402          |
| 27. | LH SIDE BRICK - FR0512L           |
| 28. | RH SIDE BRICK - FR0512R           |
| 29. | FIRE DOOR HANDLE - CA0108-6       |
| 30. | FIRE DOOR HANDLE AXLE - CA0101-ZH |
| 31. | SPRING WASHER - CA0502            |
| 32. | DOOR CATCH - CA1505               |
| 33. | ASHPAN - CA1205                   |
| 34. | DAMPER ROD - CA130106             |
| 35. | DAMPER ROD KNOB - CA010402        |
| 36. | DAMPER ROD BRACKET - CA01103      |
| 37. | BACK AIR PLATE - CA0901           |
| 38. | FIRE FENCE - AF0520-CR            |
| 39. | DOOR GLASS - CA1005B              |
| 40. | DOOR GLASS CLIPS - CA1112         |
| 41. | DOOR BADGE - CAL0101              |
| 42. | OPERATING TOOL - CA0105           |

<b>SYMPTOM</b>	<b>POSSIBLE CAUSES</b>	<b>REMEDY</b>
<b>Stove Difficult To Light</b>	Air controls set incorrectly	Air controls must be set to maximum settings on initial light-up
	Moisture content of fuel too high	Ensure fuel is sufficiently dry
<b>Fire Burns Too Quickly</b>	Air controls set incorrectly	Adjust Air controls
	Rope seals perished/worn	Replace rope seals
	Excessive Chimney Draught	Seek professional chimney advice
<b>Fire Burns Too Slowly/Low Heat Output To The Room</b>	Air controls set incorrectly	Adjust Air controls
	Insufficient flue draught	Seek professional chimney advice
	Ash buildup	Do not allow ashpan to overflow
<b>Fire Bricks Cracked</b>	Normal wear and tear	Replace firebricks when they begin to crumble as apposed to showing minor cracks
<b>Grate Cracked</b>	Build up of ash causing overheating	Replace the grate and do not allow ashpan to overflow
	Operation with the ash door open	While the stove is in operation the door should be closed
	Burning non approved fuel	Burn the correct fuel
<b>Glass Sooting Up</b>	Air wash not working	Open the air wash control
	Moisture content of fuel too high	Ensure fuel is sufficiently dry
	Fuel excessively dirty	Use smokeless fuel
	Insufficient flue draught	Seek professional chimney advice
	Air controls set to minimum settings	Operate the stove at or close to the nominal output
<b>Smoking On Refuelling</b>	Air controls set incorrectly	Air controls should be fully open prior to refuelling
	Insufficient flue draught	Seek professional chimney advice
	Chimney or flueways in stove have become partially blocked	Clean the flueways in the stove. If problem persists have the chimney cleaned by a suitable competent person
	Lack of combustion air	Ensure adequate sized air vent / air supply to the room
	Top baffle fitted incorrectly	Consult instructions to ensure baffle fitted in correct orientation



<b>SYMPTOM</b>	<b>POSSIBLE CAUSES</b>	<b>REMEDY</b>
<b>Creosote/Tar Build-up in Firebox and on Flue Pathways</b>	Insufficient flue draught	Seek professional chimney advice
	Moisture content of fuel too high	Ensure fuel is sufficiently dry
	Fuel excessively dirty	Use smokeless fuel
	Air controls set to minimum settings	Constant low burning can produce excessive soot
<b>Smells From Stove/Installation</b>	Final cure of the painted surfaces on initial firings	This odour is unpleasant but not toxic. It is best advised to ventilate the room and leave unoccupied.
	Incorrect sealant used	All flue Joints must be sealed with fire cement only
	Flue gather not cleaned prior to installation	Soot deposits on existing fireplace/flue gather could possibly burn off when the unit & the surrounding area is heated up.
	Inefficient flue draught	Seek professional chimney advice
<b>Water In Base Of Stove</b>	Condensation on light up	It is acceptable to have a little condensation on start up, when the fire is established condensation should not be present
	Moisture content of fuel too high	Use seasoned wood logs

---

## NOTES

---

## NOTES



**Manufactured by**  
**Waterford Stanley Ltd.,**  
Unit 401-403, IDA Industrial Estate, Cork Road,  
Waterford, Ireland.  
Tel: (051) 302300 Fax (051) 302315

