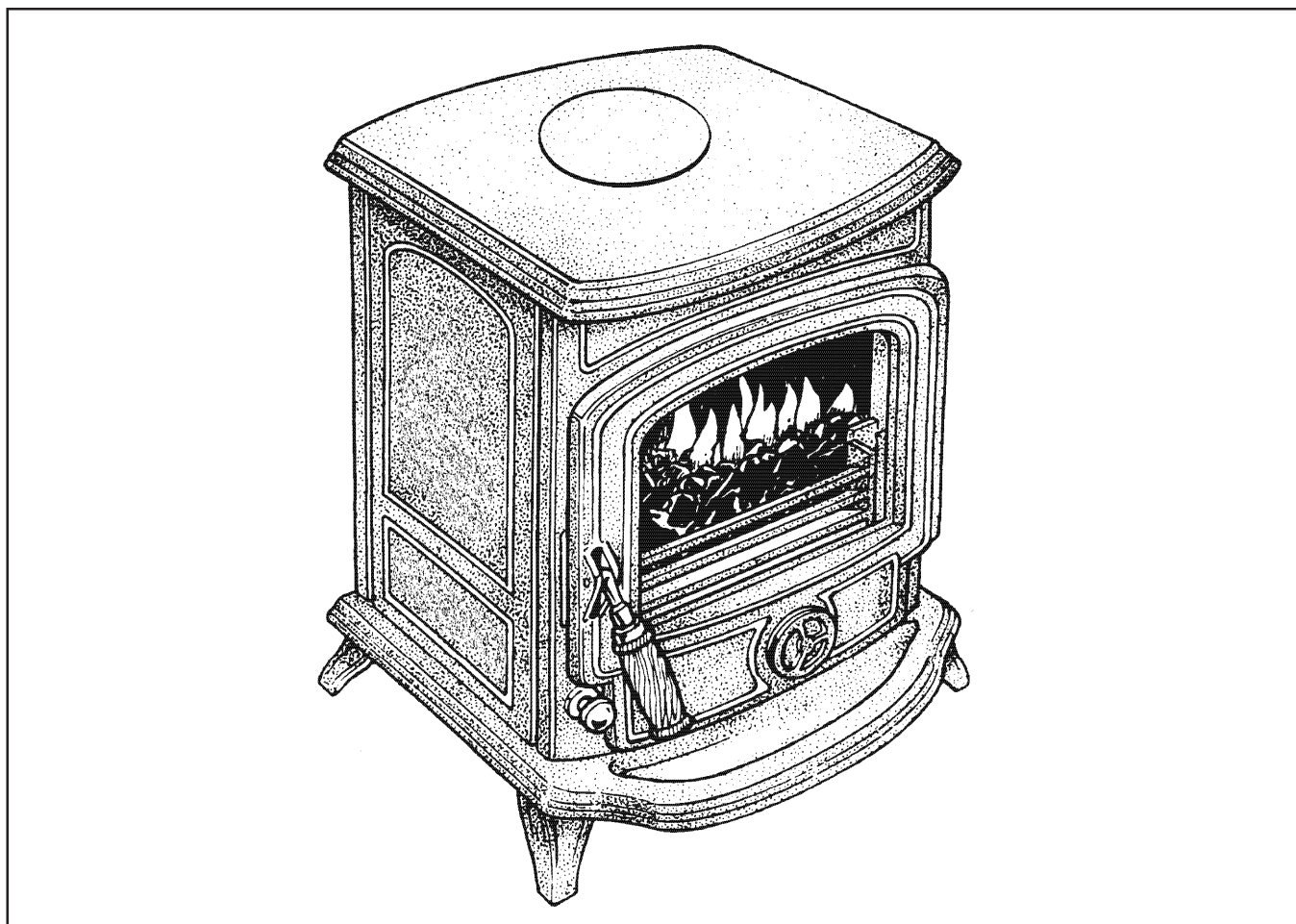




Oscar Solid Fuel Stove

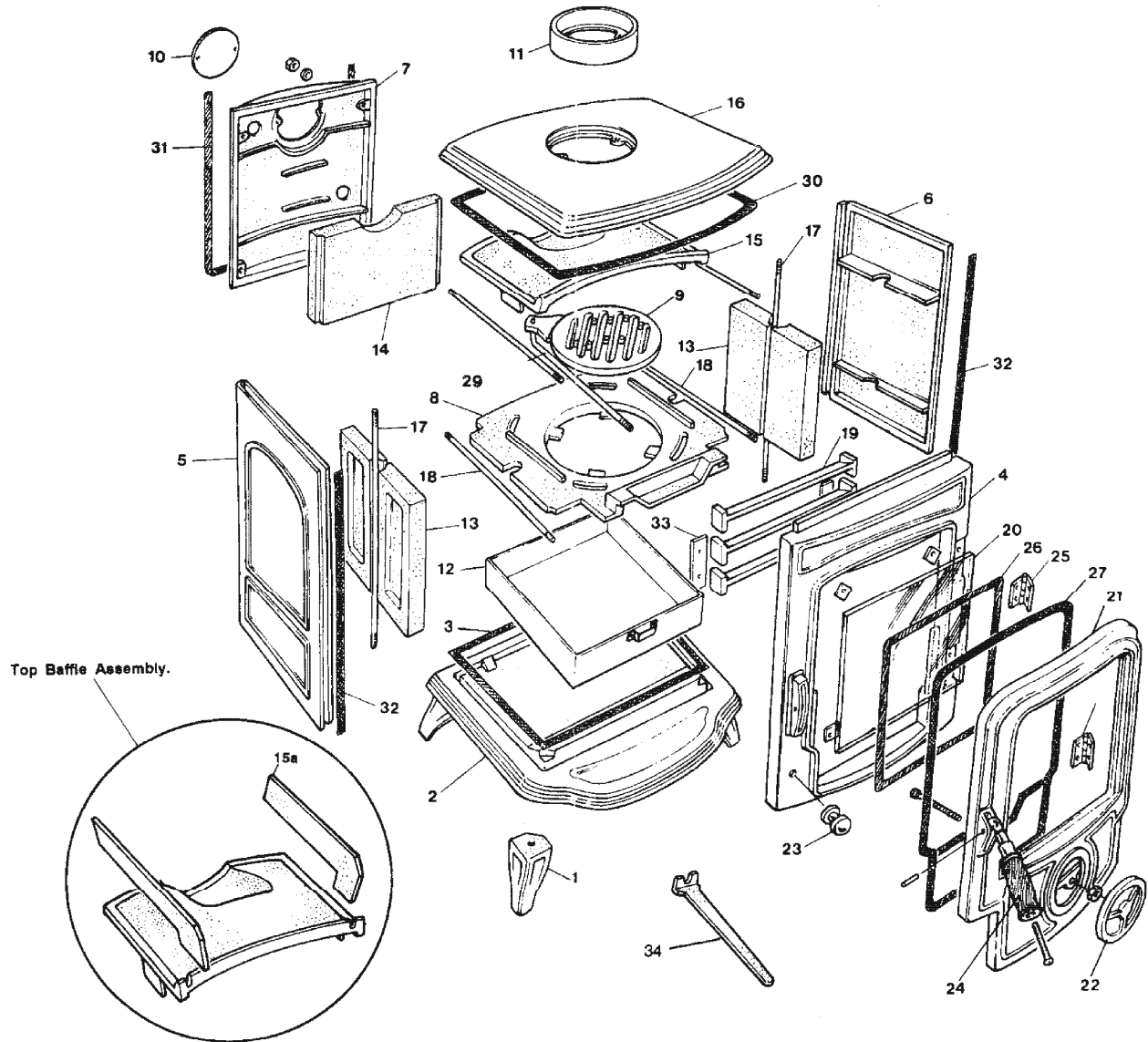


This appliance is hot while in operation and retains its heat for a long period of time after use. Children, aged or infirm persons should be supervised at all times and should not be allowed to touch the hot working surfaces while in use or until the appliance has thoroughly cooled.

When using the stove in situations where children, aged and/or infirm persons are present a fireguard must be used to prevent accidental contact with the stove. The fireguard should be manufactured in accordance with BS 6539.

INSTALLATION AND OPERATING INSTRUCTIONS

OSCAR SOLID FUEL STOVE EXPLODED VIEW



1. Legs	12. Ashpan	22. Spin Valve
2. Base	13. Side Bricks	23. Grate Shaker Control Knob
3. Base Sealing Tape	14. Back Brick	24. Door Handle
4. Front	15. Top Baffle	25. Door Hinges
5. Left Hand Side	15a. Top Protection Baffles	26. Door Glass Sealing Tape
6. Right Hand Side	16. Hob	27. Door Sealing Rope
7. Back Plate	17. Long Tie Bolts	29. Grate Shaker Connecting Rod
8. Grate Base Plate	18. Short Tie Bolts	30. Hob Sealing Rope
9. Grate	19. Fire Fence Bars	31. Back Plate Sealing Rope
10. Blanking Plate	20. Door Glass	32. Side Plate Sealing Rope
11. Flue Spigot	21. Door	33. Fire Fence Retainers
		34. Operating Tool