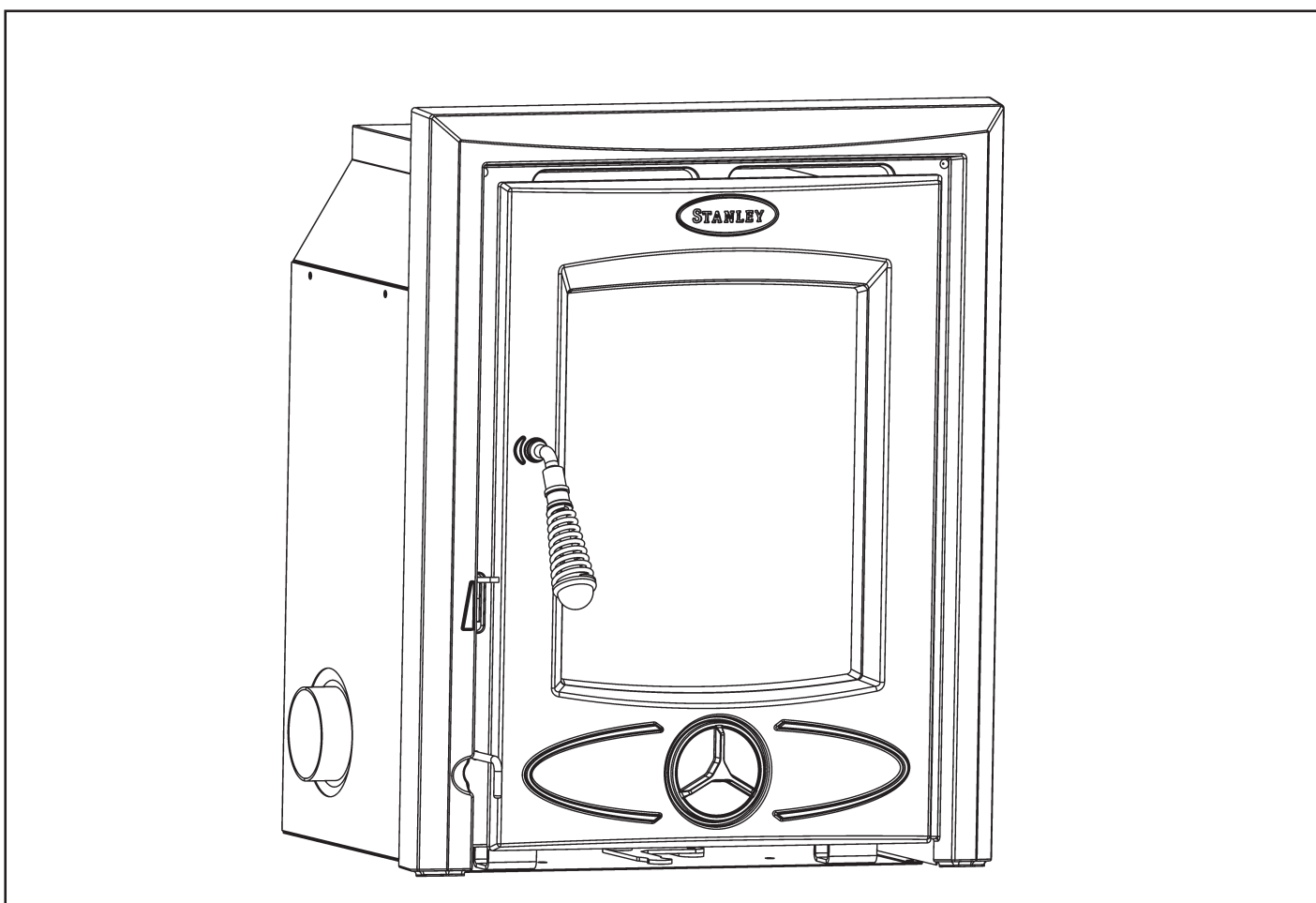




Cara Non Boiler OSA Insert Stove

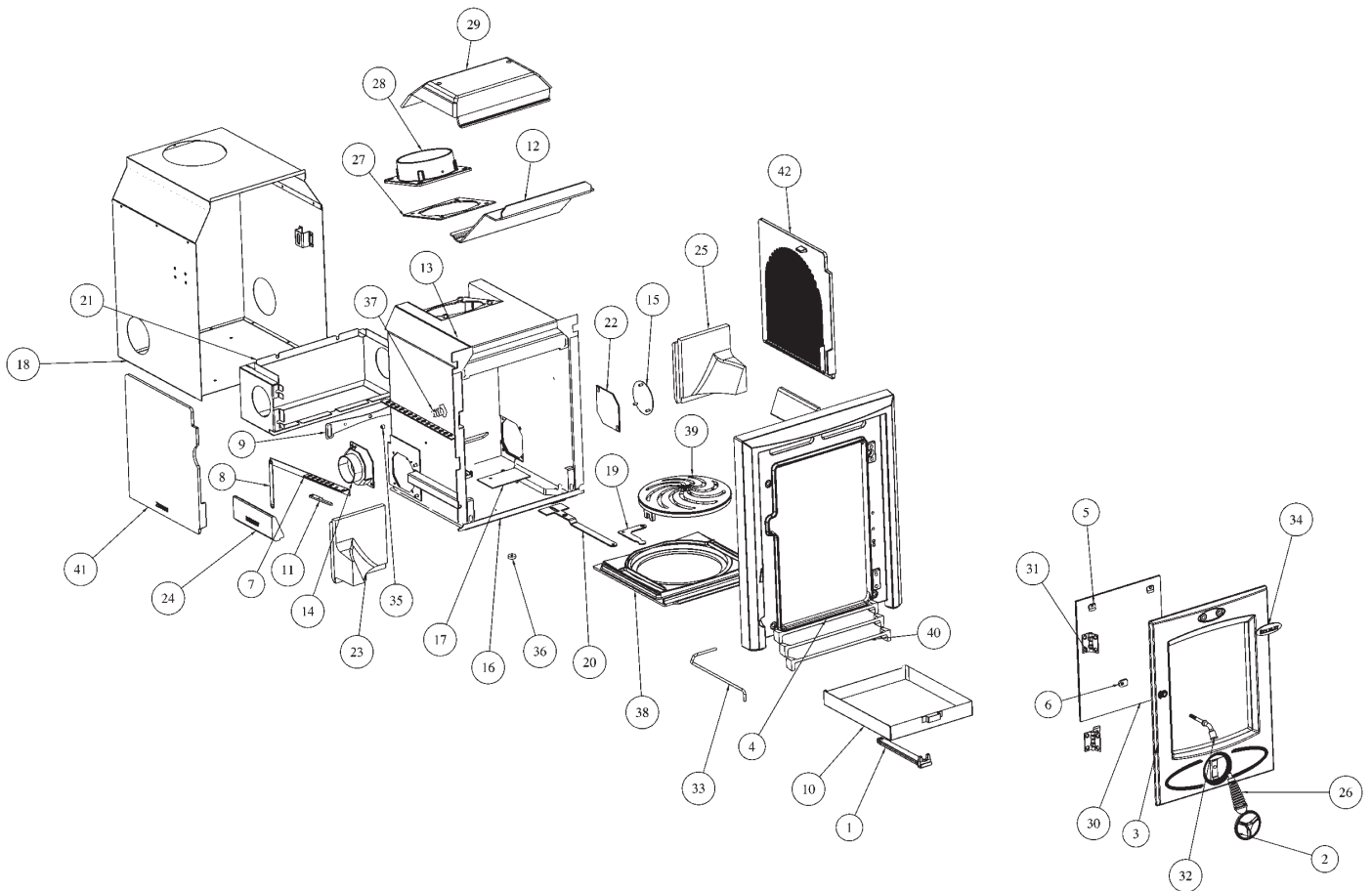


This appliance is hot while in operation and retains its heat for a long period of time after use. Children, aged or infirm persons should be supervised at all times and should not be allowed to touch the hot working surfaces while in use or until the appliance has thoroughly cooled.

When using the stove in situations where children, aged and/or infirm persons are present a fireguard must be used to prevent accidental contact with the stove. The fireguard should be manufactured in accordance with BS 8423:2002.

INSTALLATION AND OPERATING INSTRUCTIONS

CARA OSA EXPLODED VIEW



- | | |
|---|---|
| 1. OPERATING TOOL - B0009DZZ | 22. BLANKING PLATE - F01307AXX |
| 2. SPINVALVE - B00032AZZ | 23. LH BACK BRICK - H00203AXX |
| 3. FIRE DOOR - B00587AZZ | 24. SIDE BRICK - H00207AXX |
| 4. FRONT - B00588AZZ | 25. RH BACK BRICK - H00208AXX |
| 5. WINDOW CLIP - CA1101 | 26. SPRING HANDLE ASSY - L00539AXX |
| 6. DOOR CATCH - F00928AXX | 27. FLUE GASKET - P00102AXX |
| 7. SECONDARY AIR OP LEVER - F00993AXX | 28. 5 INCH FLUE - Q00752AXX |
| 8. SECONDARY AIR CONNECTOR BAR - F00994AXX | 29. TOP BAFFLE - Q00761AXX |
| 9. SECONDARY AIR PLATE - F00995AXX | 30. DOOR GLASS 16" - T00098AXX |
| 10. ASHPAN - F00997AXX | 31. DOOR HINGE - U00153AXX |
| 11. AIR WASH LEVER - F01007AXX | 32. DOOR AXLE - V00857AXX |
| 12. BOTTOM BAFFLE - F01080AXX | 33. PULL ROD - V00911AXX |
| 13. BAFFLE SUPPORT - F01084AXX | 34. BADGE - V00912AXX |
| 14. AIR PIPE ADAPTOR - F01297AXX | 35. SPACER - V00956AXX |
| 15. OSA BOX COVER PLATE- F01299AXX | 36. BUSH - V01056AXX |
| 16. COMBUSTION CHAMBER - F01301AXX | 37. M6 SPRING NUT - W00744AXX |
| 17. AIR COVER - F01302AXX | 38. GRATE SUPPORT - Z00035AXX |
| 18. CONVECTION CHAMBER WRAP- F01303AXX | 39. GRATE - Z00036AXX |
| 19. BELL CRANK ARM - F01304AXX | 40. FIRE FENCE - Z00037AXX |
| 20. PUSH PULL BAFFLE - F01305AXX | 41. LH SIDE PLATE - Z00053AXX |
| 21. OUTSIDE AIR BOX - F01306AXX | 42. RH SIDE PLATE - Z00054AXX |