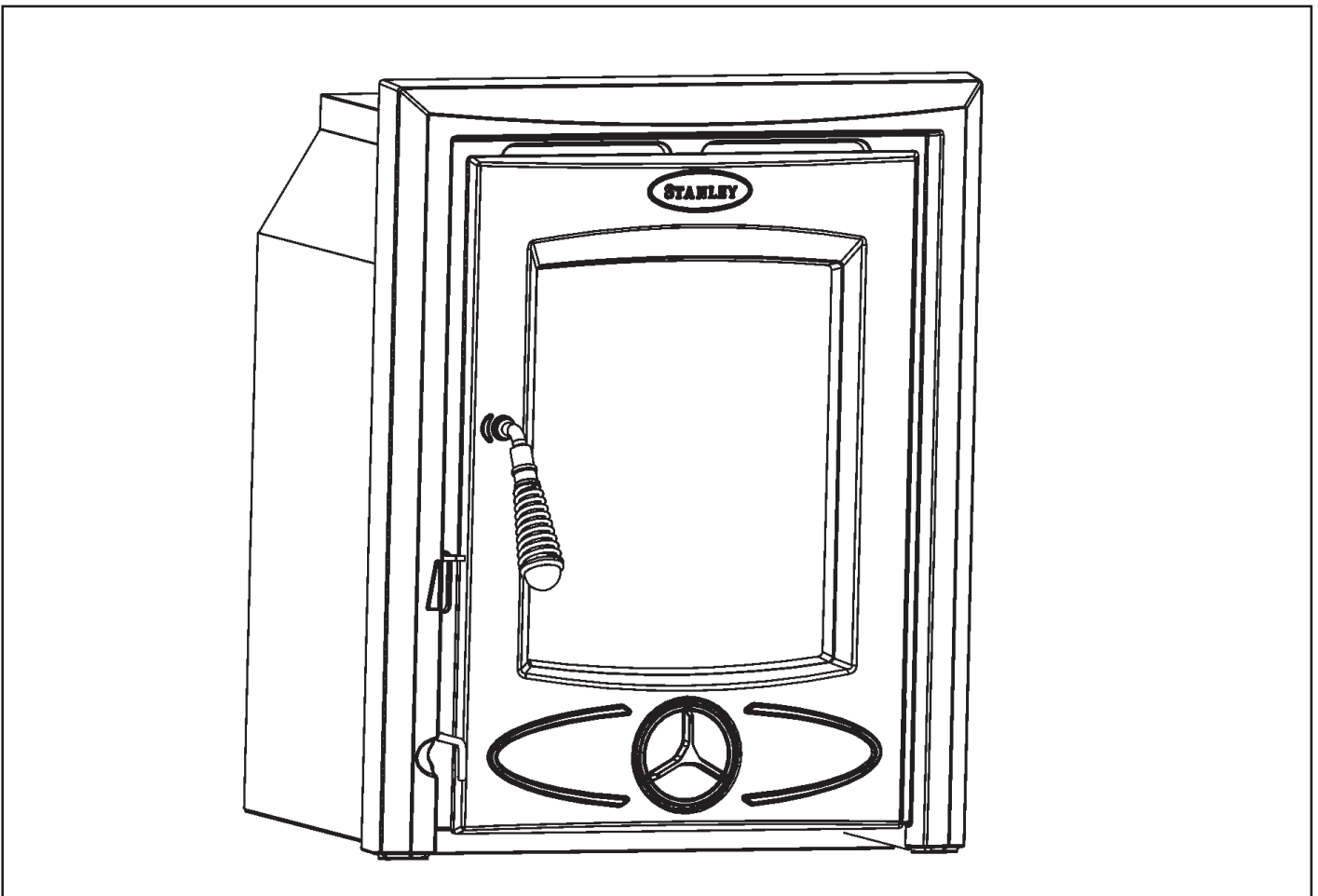




Cara Non Boiler Insert Stove



This appliance is hot while in operation and retains its heat for a long period of time after use. Children, aged or infirm persons should be supervised at all times and should not be allowed to touch the hot working surfaces while in use or until the appliance has thoroughly cooled.

When using the stove in situations where children, aged and/or infirm persons are present a fireguard must be used to prevent accidental contact with the stove. The fireguard should be manufactured in accordance with BOX 8423:2002.

INSTALLATION AND OPERATING INSTRUCTIONS

TABLE OF CONTENTS

	PAGE NO.
1. Insert Stove Installation & Operating Instructions	2
2. General	2
Handling	2
Fire Cement	2
Asbestos	2
Metal Parts	2
3. Pre-Installation Assembly	2
4. Chimney	3
5. Fitting Instructions	3
Fully Lined Chimney	3
Not Fully Lined Chimney	4
6. Down Draughts	6
7. Ventilation & Combustion Air Requirements	7
8. Permanent Air Vent	7
Extractor Fan	8
9. Commissioning & Handover	8
10. Location	8
11. Clearance to Combustibles	8
12. Floor Protection	9
13. CO Alarm	9
14. Stove Dimensions	9
15. Technical Data	9
16. Air Controls - Primary & Secondary	10
17. Recommended Fuels	10
18. Door Handle Operation	10
19. Refuelling	10
20. Slow Burning	11
21. De-Ashing	11
22. Maintenance	11
23. Grate Removal & Cleaning	11
24. Chimney Cleaning	12
25. Important Notes	12
26. Lighting	13
27. CO Alarm	13
28. Fire Safety	14
29. Glass	14
30. Summer Shutdown	14
31. Curved Backing Plate	14
32. Exploded View	15



INSERT STOVE INSTALLATION & OPERATING INSTRUCTIONS

NOTE: Please note that it is a legal requirement under England & Wales Building Regulations that the installation of the stove is either carried out under Local Authority Building Control approval or is installed by a Competent Person registered with a Government approved Competent Persons Scheme. HEATH Ltd operate such a Scheme and a listing of their Registered Competent Persons can be found on their website at www.heist.co.UK.

The installation must be completed in accordance with current National and European Standards and Local Codes. It should be noted that the requirements and these publications may be superseded during the life of this manual.

GENERAL

This insert is suitable for a standard 16" or 18" wide by 22" high fireplace opening, it is also suitable for most cast iron curved top fireplaces when used with our curved backing plate, this is available as an optional extra, see details in this manual.

When installing, operating and maintaining your stove respect basic standards of fire safety. Read these instructions carefully before commencing the installation. Failure to do so may result in damage to persons or property. Consult your local Municipal office and your insurance representative to determine what regulations are in force. Save these instructions for future reference.

Special care must be taken when installing the stove such that the requirements of the Health & Safety at Work Act are met.

Handling

Adequate facilities must be available for loading, unloading and site handling.

Fire Cement

Some types of fire cement are caustic and should not be allowed to come into contact with the skin. In case of contact with the skin wash immediately with plenty of water.

Asbestos

This stove contains no asbestos. If there is a possibility of disturbing any asbestos in the course of installation then please seek guidance and use appropriate protective equipment.

Metal Parts

When installing or servicing this stove care should be taken to avoid the possibility of personal injury.

IMPORTANT WARNING: This stove must not be installed into a chimney that serves any other heating appliance.

PRE-INSTALLATION

After removing the stove from the packaging, open the fire door and remove the loose packing. Prior to installation all the internal components of the stove are removed to gain access to fixings and to make it lighter for installation.

Remove the refractory fire bricks, these bricks are loose and just need to be lifted clear of the grate support plate before they can be removed.

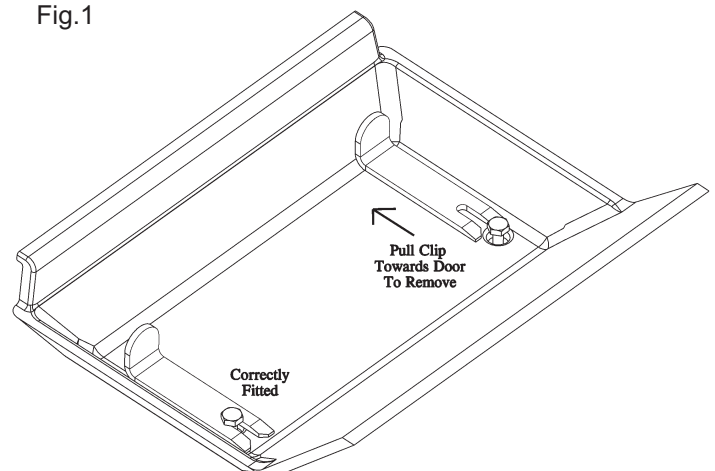
To remove the loose baffle, lift on right side and move this up and to the right to give maximum clearance at the opposite side to allow the baffle be lowered clear of the supporting ledge on the left hand side casting.

Next, remove the grate by pushing it from underneath, the riddling bar is not fixed to the grate.

The cast iron side liners must be removed prior to the fixed baffle, to remove the side liners lift the bottom edge clear of the grate support and slide the bottom edge towards the opposite side of the stove, when the casting is moved to a diagonal position it will be free to be lifted from the stove.

To remove the fixed baffle, loosen the two roof bolts, support the baffle with one hand while removing the L shaped brackets with the other hand, see Fig.1.

Fig.1



Do not overtightened the roof bolts when refitting the baffle. It is adequate to leave them in a position where the L shaped bracket has just enough room to be removed.

Remove the flue spigot and gasket by removing the four bolts.

To remove the insert stove from the external casing, lift out the grate support, this will allow access to two M6 fixings which attach the stove to the outer casing. Remove the 2 fixings, allowing the insert stove to be removed from the external casing.

CHIMNEY

THIS PRODUCT IS SUITABLE FOR CHIMNEY INSTALLATION ONLY.

The chimney must have a diameter of at least 150mm, an adaptor is available where required to fit between the flue kit supplied and a 6" (150mm) flexible flue liner.

The liner should be approved for use with solid fuel. See Fig.3.

Never connect to a smaller size chimney. Do not connect to a chimney serving another appliance. Minimum chimney height 4.5 meters from floor on which stove is installed.

It is permitted to connect using a closure plate and a connection piece from the stove to the closure plate (See Fig. 6), provided that the chimney is of sound construction with no leaks or cracks, a clay flue liner has been used that can withstand up to 1000°C, the clay liner has a diameter no greater than 200mm.

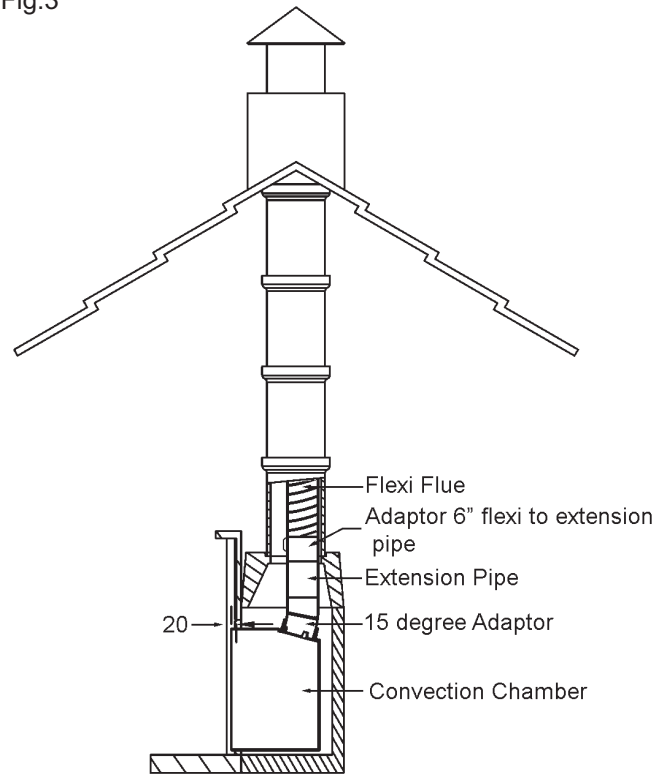
The chimney must be swept and examined for soundness and suitability before the appliance is installed. Remedial action should be taken if required, seeking expert advice if necessary.

Chimneys must conform to BOX EN 15287-1:2007: Design, installation and commissioning of chimneys.

ALL FLUE INSTALLATIONS ARE THE RESPONSIBILITY OF THE CUSTOMER.

The stove must be connected to a chimney with a minimum continuous draught of 12 Pascal's. Poor draught conditions will result in poor performance.

Fig.3



Note:-

If the stove is fitted in place of an open fire, then the chimney should be swept one month after installation to clear any soot falls which may have occurred due to the difference in combustion between the stove and the open fire.

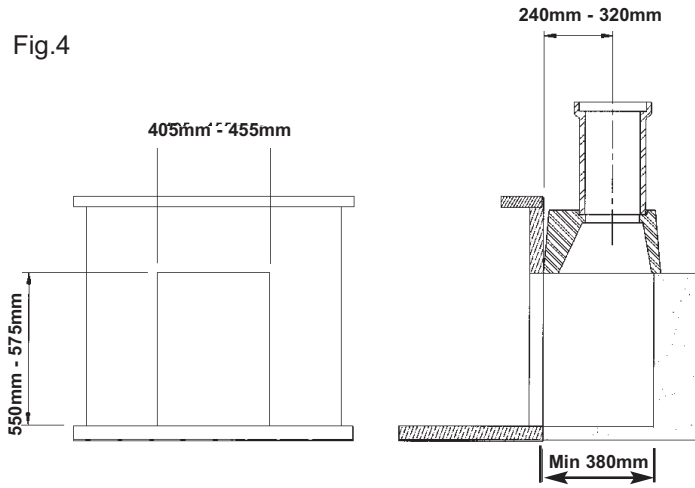
FITTING INSTRUCTIONS

Fully Lined Chimney

Step 1

Prepare the fireplace area with milner brick removal. Ensure the opening is suitable for fitting of the insert stove opening required, i.e. remove fire surround trim if fitted. See Fig.4.

Fig.4



Step 2

Ensure the floor area is level with the hearth, this area needs to be level as the insert fire is screw fixed to the floor.

Step 3

Drop the flied flue liner down through the chimney and into the fireplace. Fit the adaptor (not supplied available to order) to the end of the flexible flue liner along with the extension pipe which is supplied.

Step 4

Lay the external casing into the opening and position it so that the front edge protrudes 20mm past the front edge of the opening.

Step 5

Mark the drill locations and drill the holes using a 5.5mm drill bit. Fix the casing to the floor using the self tapping screws provided.

Step 6

Remove all internal parts as per pre-assembly instructions. Lift the stove into the casing approximately 75mm first and then it can be pushed into the final position while taking care to lift the front edge to preserve the hearth.

Step 7

Lay the sealing gasket on to the flue spigot, then fit the flue spigot to the end of the 15 degree adaptor. Fix the 15 degree adaptor to the flue spigot using the grub screws provided. Then pass the 15 degree adaptor through the flue opening and connect it to the extension pipe .

Step 8

Then using the M6 x 10mm screws secure the stove to the convection chamber. Push the insert stove against the fireplace before fully tightening these bolts.

Step 9

Pull the flied liner back up through the flue outlet

the flue spigot is in position. Fix the flue spigot using the M8 bolts provided. It may be necessary to cut a prop to hold the spigot in place while the fixings are being attached.

Step 10

Complete the installation of the flied flue at the top of the chimney in accordance with the manufacturers instructions.

NOT FULLY LINED CHIMNEY (Using Closure Plate & Pipe Extension)

Fig.5

Chimney Connectors

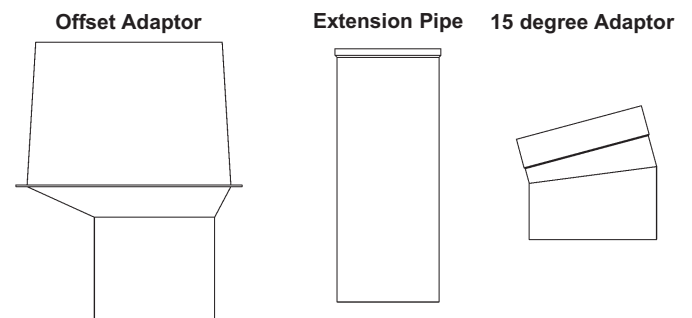
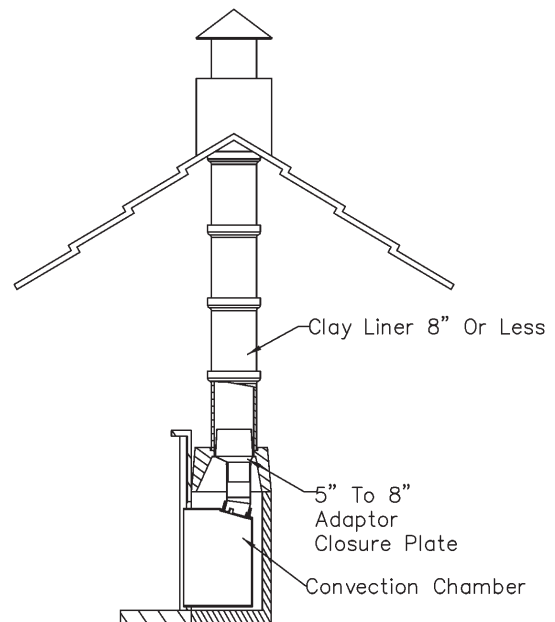


Fig.6



Step 1

Prepare the fireplace area with milner brick removal. Ensure the opening is suitable for fitting of the insert stove opening required, i.e. remove fire surround trim if fitted. See Fig.4.

Step 2

Ensure the floor area is level with the hearth, this area needs to be level as the insert fire is screw fixed to the floor.

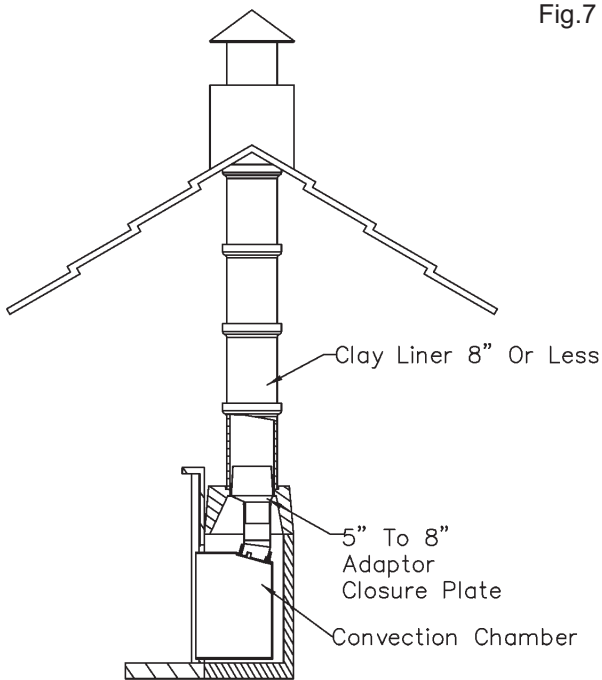


Fig.7

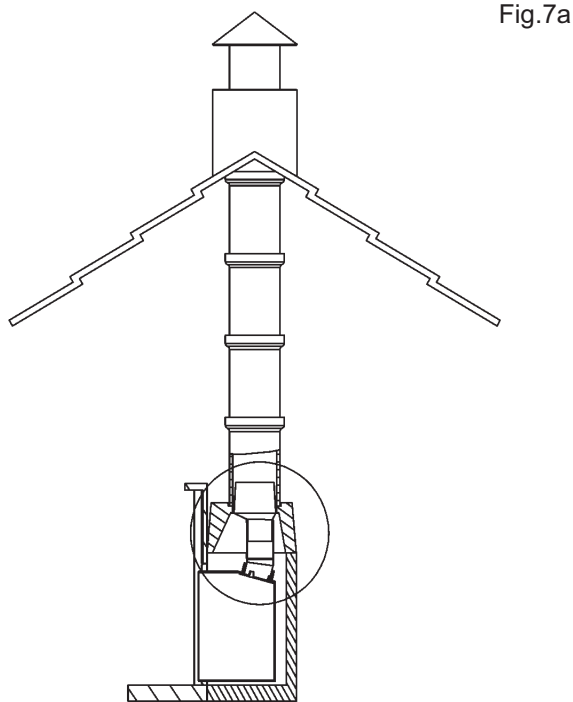


Fig.7a

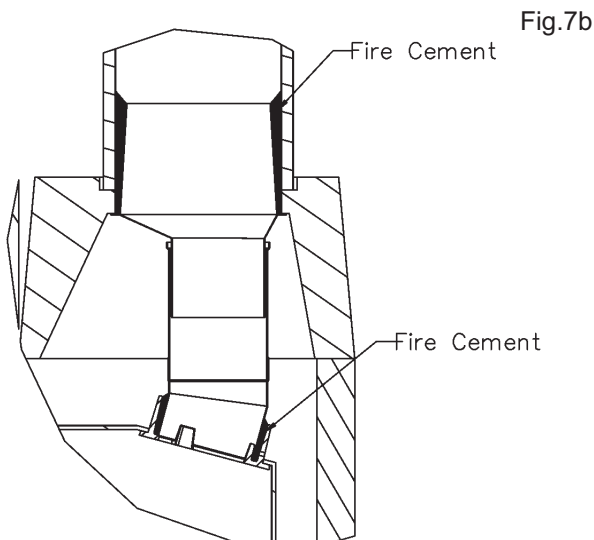


Fig.7b

Step 3

Measure the distance to the flue outlet of the stove and compare to the chimney, decide on best orientation of the offset adaptor.

Step 4

Push the offset adaptor into position and make a seal using approved fire cement between the adaptor and the clay liner. The seal should be tapered to allow any condensation that may occur in the chimney flow back into the flue. See Fig.7.

Step 5

Mark the drill locations and drill the holes using a 5.5mm drill bit. Fix the casing to the floor using the self tapping screws provided.

Step 6

Lift the stove into the external casing. Remove all internal parts as per pre-assembly instructions prior to lifting it. The stove can be lifted into the casing approximately 75mm first and then it can be pushed into the final position while taking care to lift the front edge to preserve the hearth.

Step 7

Then using the M6 x 10mm screws secure the stove to the convection chamber. Push the insert stove against the fireplace before fully tightening these bolts.

Step 8

Temporarily fit the flue spigot and the 15 degree adaptor. Measure the required length for the extension pipe.

Step 9

Measure and cut the extension pipe at the straight end to the required dimension using the guide collar provided.

Step 10

Lay the flue gasket onto the flue spigot and then fit 15 degree adaptor and extension pipe to the spigot using the grub screws to fix the 15 degree adaptor provided and seal using fire cement.

Step 11

Fit the spigot adaptor and extension pipe so that it completes the flue installation between the stove adaptor (closure plate).

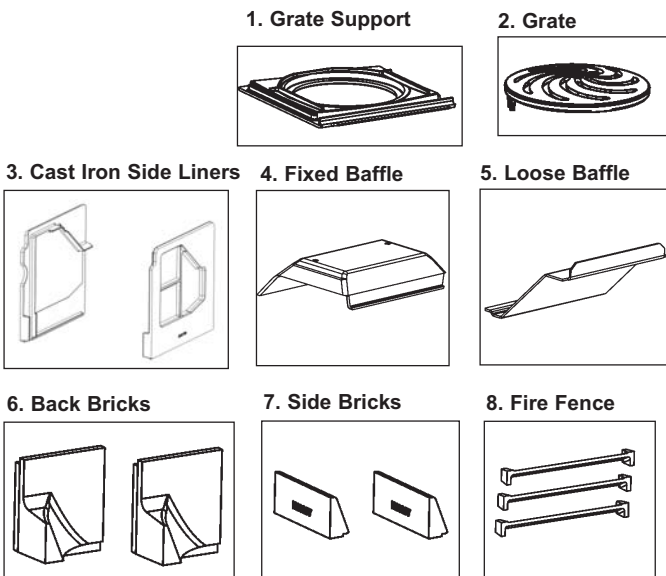
Step 12

Bolt the spigot to the stove and re-apply fire cement to the seals where it may have been disturbed during the installation.

Fit the individual components in the following order:

1. Grate Support
2. Grate
3. Cast Iron Side Liners
4. Fixed Baffle
5. Loose Baffle
6. Back Bricks
7. Side Bricks
8. Fire Fence

Fig 8



1. Grate Support

Tilt the grate support up on one side and pass it carefully through the door opening, it should then rest on three supports approx 100mm from the floor of the stove.

2. Fixed Baffle

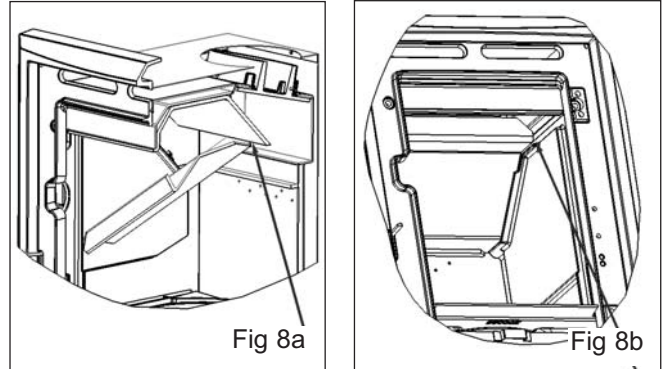
The baffle fits to the roof of the stove using the two M6 bolts and L shaped stainless steel clips. The bolts should be still in place following removal of the baffle, simply lift the baffle into place with the hex head bolts passing through the holes in the baffle, then fit the L shaped clip over the head of the bolt to hold the baffle in place. It is best to leave the bolts half a turn loose to allow for ease of removal.

3. Cast Iron Side Liners

To insert the side liner, place the casting diagonally into the stove with the top edge to the side it is intended, then push the bottom edge across while making sure the top edge passes inside the fixed baffle. The casting should fall into its final location at the side where the bottom edge is located by the grate support.

4. Loose Baffle

To fit the bottom baffle, place it into the stove as shown in fig. 8a with the bend in the baffle aligned with the bottom edge of the top baffle. Slide the baffle up to one side as far as possible until it can be lifted past the support ledge on the opposite side panel, then lower the baffle into its correct position centrally in the stove with the rear edge in contact with the rear of the stove and resting on the support ledges of the side panels and with the chamfer located in the top corner as per fig. 8b



5. Grate

The grate simply lays into the grate support but care needs to be taken that the riddling bar will rest in the middle of the fork.

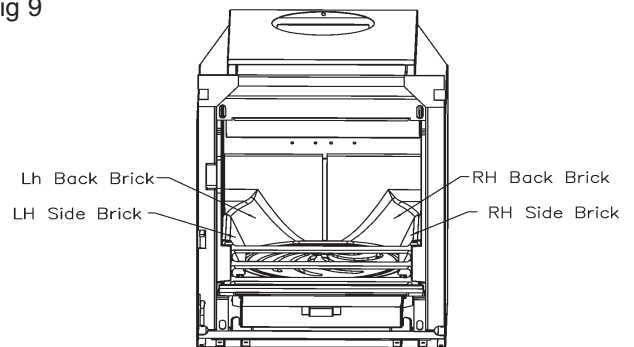
6 & 7. Side & Back Bricks

Lay the side and back bricks in as shown in Fig.9.

8. Fire Fence

Lay the fire fence into the slots provided ensuring that they slope from front to back so that no embers can fall out through the fire fence.

Fig 9



DOWN DRAUGHTS

However well designed constructed and positioned, the satisfactory performance of the flue can be adversely affected by down draught caused by nearby hills, adjacent tall buildings or trees. These can deflect wind to blow directly down the flue or create a zone of low pressure over the terminal. A suitable anti-down draught terminal or cowl will usually effectively combat direct down blow but no cowl is likely to prevent down draught due to a low pressure zone. (See Fig.10)

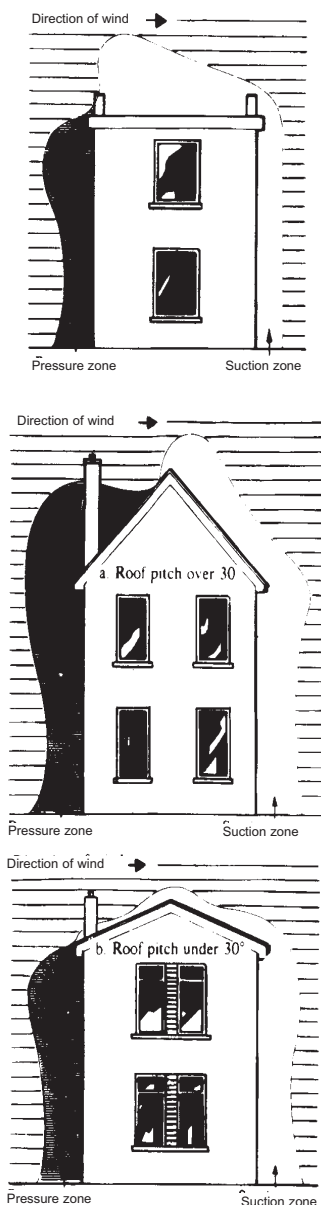


Fig 10

Air vents direct to the outside of the building should be located so that any air current produced will not pass through normally occupied areas of the room.

An air vent outside the building should not be located less than the dimensions specified within the Building Regulations and B.S. 8303: Part 1 from any part of any flue terminal. These air vents must also be satisfactorily fire proofed as per Building Regulations and B.S. 8303: Part 1.

Air vents in internal walls should not communicate with bedrooms, bedsits, toilets, bathrooms or rooms containing a shower.

Air vents traversing cavity walls should include a continuous duct across the cavity. The duct should be installed in such a manner as not to impair the weather resistance of the cavity.

Joints between air vents and outside walls should be sealed to prevent the ingress of moisture. Existing air vents should be of the correct size and unobstructed for the appliance in use. If there is an extraction fan fitted in adjacent rooms where this appliance is fitted, additional air vents may be required to alleviate the possibility of spillage of products of combustion from the appliance/flue while the fan is in operation. Refer to B.S. 8303 Part 1.

Where such an installation exists, a test for spillage should be made with the fan or fans and other appliances using air in operation at full rate, (i.e. extraction fans, tumble dryers) with all external doors and windows closed.

If spillage occurs following the above operation, an additional air vent of sufficient size to prevent this occurrence should be installed.

Especially Airtight Properties:-

If the stove is being fitted in a property where the design air permeability is less than $5\text{m}^3 / (\text{h}\cdot\text{m}^2)$ (normally newer properties built from 2006), then a permanent ventilation must be fitted to provide 550mm^2 of ventilation for each kW of rated output. If a draught stabiliser is also fitted then the requirement is 850mm^2 per kW of rated output.

PERMANENT AIR VENT

The stove requires an adequate air supply in order for it to operate safely and efficiently. The installer may have fitted a permanent air supply vent into the room in which the stove is installed to provide combustion and/or ventilation air. This air vent should not under any circumstances be shut off or sealed.

VENTILATION AND COMBUSTION AIR REQUIREMENTS

The minimum effective air requirement for this appliance is 8.25cm^2 . When calculating combustion air requirements for this appliance use the following equation: 550mm^2 per each kW of rated output above 5 kW should be provided, where a flue draught stabiliser is used the total free area shall be increased by 300mm^2 for each kW of rated output. If there is another appliance using air fitted in the same or adjacent room, it will be necessary to provide an additional air supply.

All materials used in the manufacture of air vents should be such that the vent is dimensionally stable, corrosion resistant, and no provision for closure. The effective free area of any vent should be ascertained before installation. The effect of any grills should be allowed for when determining the effective free area of any vent.

Extractor Fan

There must not be an extractor fan fitted in the same room as the stove as this can cause the stove to emit smoke and fumes into the room.

COMMISSIONING & HANDOVER

On completion of the installation allow a suitable period of time for any fire cement and mortar to dry out, when a small fire may be lit and checked to ensure the smoke and fumes are taken from the stove up the chimney and emitted safely to the atmosphere. **Do not run at full output for at least 24 hours.**

On completion of the installation and commissioning ensure that the operating instructions for the stove are left with the customer. Ensure to advise the customer on the correct use of the appliance with the fuels likely to be used on the stove and warn them to use only the recommended fuels for the stove.

Advise the user what to do should smoke or fumes be emitted from the stove. The customer should be warned to use a fire guard to BS 8423:2002 in the presence of children, aged and/or infirm persons.

LOCATION

There are several conditions to be considered in selecting a location for your stove.

- A. This product is designed to be installed into a fireplace.
- B. Allowances for proper clearances to combustibles.

CLEARANCE TO COMBUSTIBLES

This appliance must be installed in a recess, the recess should not contain any combustible materials. Wooden battens and plaster board should not be used within the clearance to combustibles. The minimum clearance to combustibles required is 550mm to the top, 350mm to the sides, 550mm directly to the front and 350mm to any combustible flooring.

Fig.11

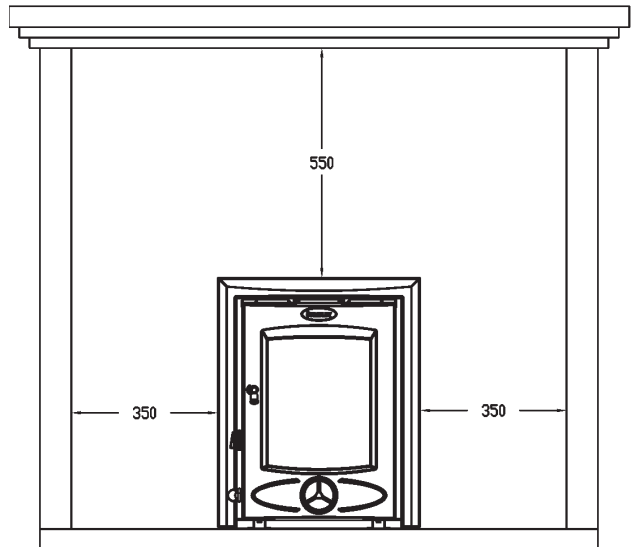
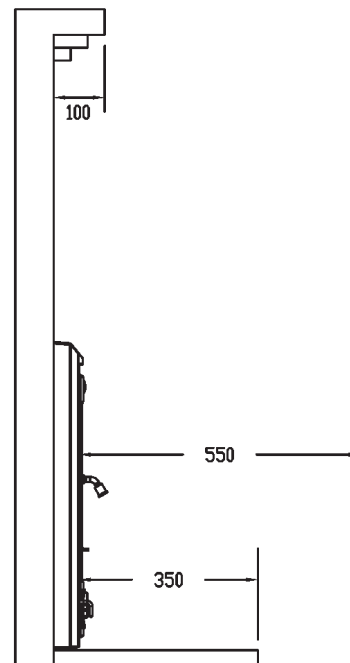


Fig.12

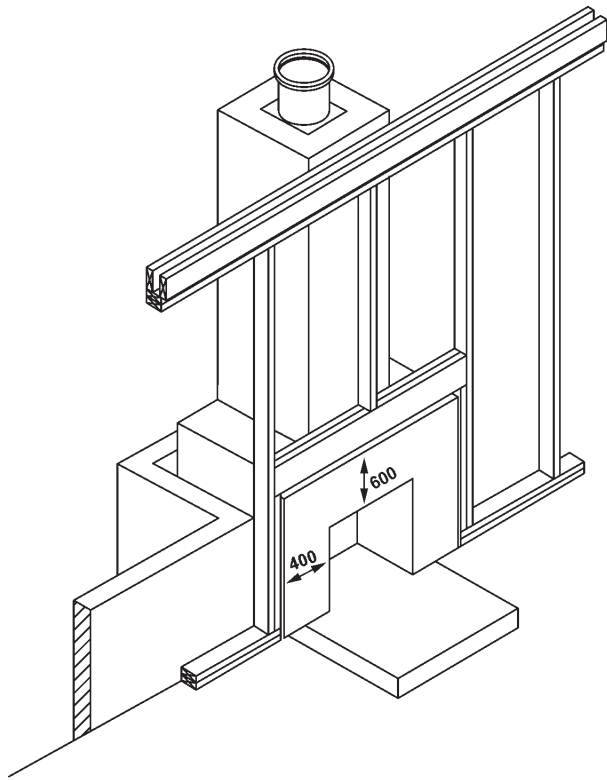


If the mantelpiece protrudes further than 100mm from the fireplace, then it will be necessary to have further clearance to the top of the stove. The distance the mantle protrudes past the 100mm should be added to the clearance.

For example, if the mantle protrudes 200mm, the clearance to the mantle should be 650mm. (See Figs 11 & 12).

If there is a studded wall surrounding the fireplace as in Fig.13, ensure the clearances in this Fig are adhered to.

Fig.13



FLOOR PROTECTION

It is recommended that this appliance is installed on a solid, level, concrete base, a non combustible hearth conforming to current Building Regulations must extend to the front of the appliance.

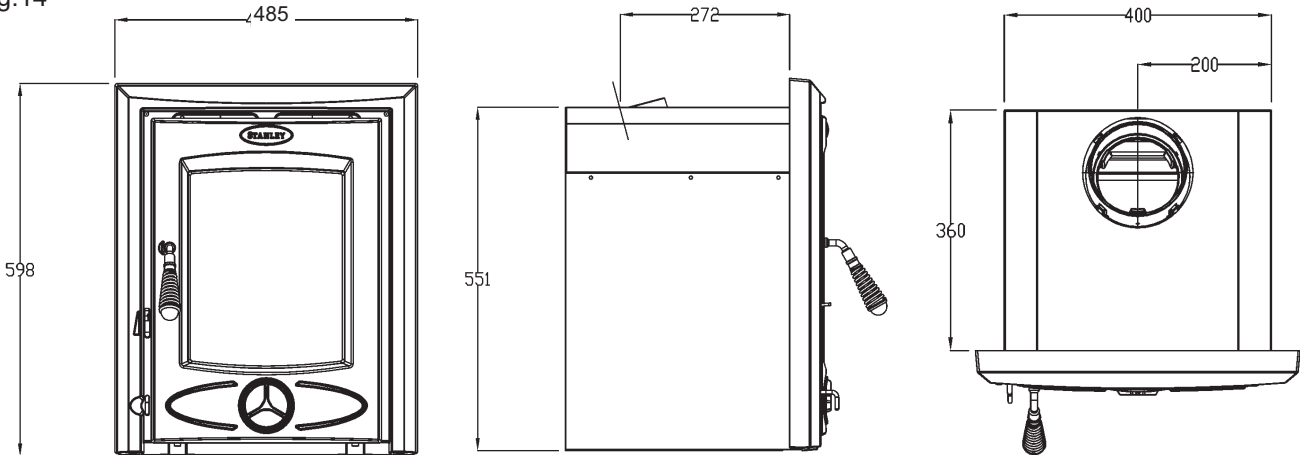
CO ALARM

Waterford Stanley strongly recommend the fitting of a CO Alarm in the same room as the appliance, this is a compulsory requirement under UK Building Regulations. Further guidance on the installation of a carbon monoxide alarm is available in BS EN 50292:2002 and from the alarm manufacturers instructions.

Provision of an alarm must not be considered a substitute for either installing the appliance correctly or ensuring regular servicing and maintenance of the appliance and chimney system.

STOVE DIMENSIONS

Fig.14



TECHNICAL DATA

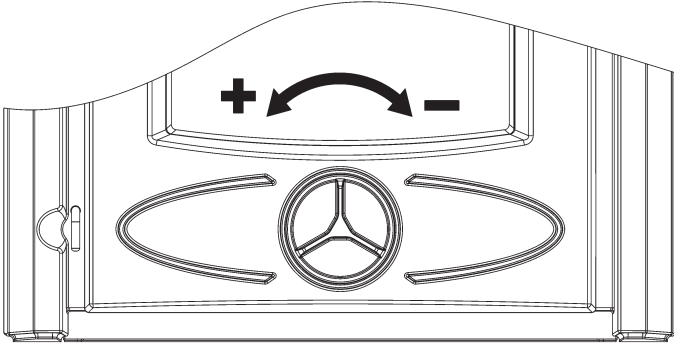
Nominal Output Manufactured Smokeless Fuel	Room 6.5kW	
Typical refuelling intervals to obtain nominal outputs	MSF	1.5 hours
Flue Gas Mass Flow	MSF	3.6 g/s
Flue Gas temp at nominal output	310 °C	
Gross Weight:	100 kgs	
Flue Outlet	125 mm	
This appliance has been tested in accordance with BS EN 13229		

AIR CONTROLS

The stove has two air controls the primary and secondary. The primary air control is a spin wheel located in the middle of the door.

To operate the primary air control, rotate the wheel in an anti-clockwise direction to open (increase air supply) and clockwise to close (decrease air supply). See Fig 15.

Fig.15



The secondary air control is a slider mechanism located at the left hand side of the door, slide the lever to the bottom of the slot to open the air supply and slide it to the top of the slot to close off the air supply. Both air supplies can be partially closed by selecting a point between open and closed. The air controls are hot when the fire is in operation. Use the glove provided when setting air controls or opening and closing the fuelling door. See Fig.16

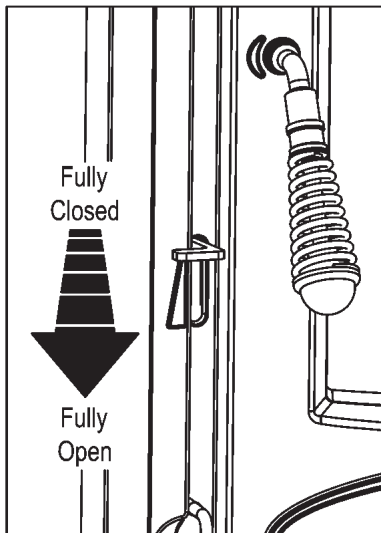


Fig.16

For most efficient use of different fuels the controls need to be operated differently, during the ignition period both air controls can be fully open, when the fire is established the controls need to be adjusted.

When burning smokeless fuels the secondary air control can be closed off however a little secondary air may be required to maintain a clean glass, the burn rate is controlled by the primary air control.

When burning wood the primary air control should be adjusted to a maximum of one turn open after the fire has established, when wood is very well seasoned no primary air is required, the burn rate can then be controlled using the secondary air control.

Warning

Leaving both air control controls fully open can lead to overheating the stove and damaging the internal components.

RECOMMENDED FUELS

This appliance has been tested and approved using mineral smokeless fuels. The quoted efficiency and output relate to burning such fuels, whilst the appliance is capable of burning other solid fuels the output and performance will be different from values given. Other fuels are commercially available and may give similar results. Do not use fuels with a Petro-coke ingredient as this may cause the grate to overheat, causing damage. Reduced outputs will result when fuels of lower calorific value are used. All fuels should be stored under cover and kept as dry as possible prior to use.

DOOR HANDLE OPERATION

The stove is supplied with a detachable door handle. To open the door, insert the silver end of the handle into the door latch on the fire door, turn the handle clockwise and pull the door towards you. To close the door, insert the handle into the door latch as before, push the door closed, turn the handle anti-clockwise to engage the door catch and remove the door handle.

NOTE: THE DOOR HANDLE SHOULD NOT BE PERMANENTLY FIXED TO THE UNIT AND SHOULD ONLY BE USED AS OUTLINED ABOVE.

RE-FUELLING

When refuelling with manufactured smokeless fuel riddle the fire by connecting the grate operating tool onto the rocker connection located at the bottom front of the stove. Then gently pull and push the rocker arm until all dead ash has fallen through into the ashpan. Before opening the door, open the spin valve by turning it anti-clockwise, as this will help to eliminate any smoke or fly ash resident in the combustion chamber. Add fuel to fire, taking care not to overfill higher than the front firebars. Close fire door and re-set spin valve to required setting. Do not operate this appliance with the fire door open. (See Fig.17)

When burning wood the requirement to riddle the fire is much less. Do not riddle the fire with the spin-wheel open but fully open the secondary air control instead. Remember to reset the controls after refuelling.

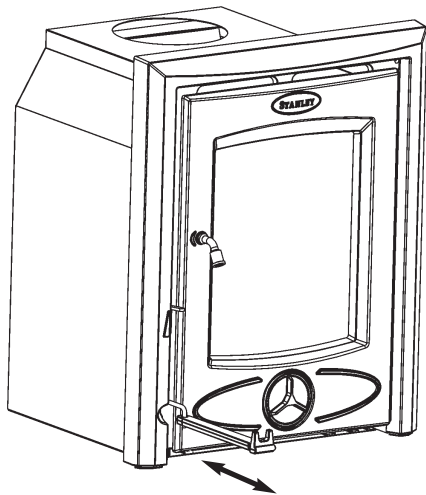


Fig.17

SLOW BURNING

To achieve slow burning when burning wood close the secondary air slide and open a few millimetres using the tool provided. Slow burning will cause the window glass to blacken and should not be used for a long period as it will leave sooty deposits in the flueways. Opening the air slide will increase the heat output and will clear the glass.

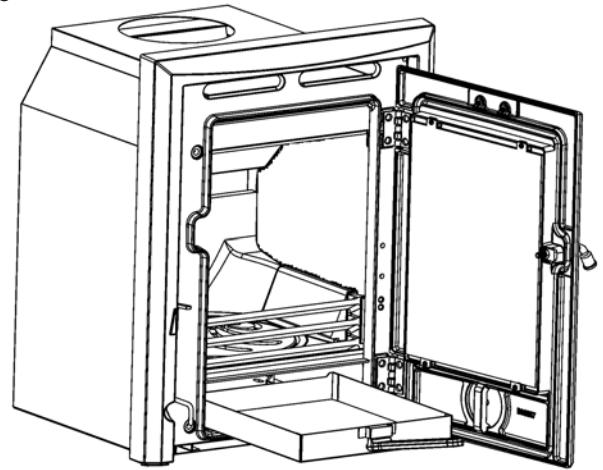
To obtain slow burning when burning coal, close the secondary air fully and partially open the spin valve.

DE-ASHING

Never allow the ashpan to over fill as it will cause damage to the grate. Empty the ashpan before lighting. Always ensure that ashes have thoroughly cooled before removing the ashpan. Open the fire door and remove ashpan using the operating tool. Close the fire door. When the ash is disposed of, replace the empty ashpan. (See Fig.18) Do not leave the fire unattended with the fire door open, even for a minute.

WARNING - NEVER DISPOSE OF ASH WHEN STOVE IS LIGHTING.

Fig.18



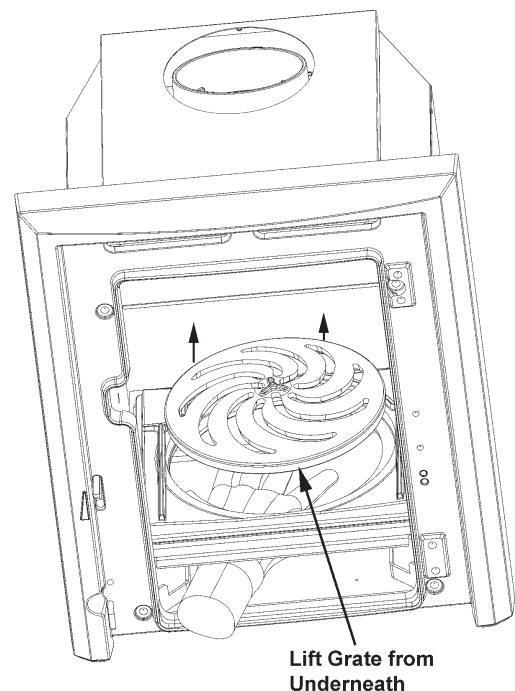
MAINTENANCE

GRATE REMOVAL & CLEANING

Over time fuel deposits, clinker & ash can lodge between the grate and grate support which can cause difficulties when moving the grate during de-ashing. To help reduce this occurrence, it is recommended that the grate is cleaned on a monthly basis when undertaking the general cleaning of the flue pathways using the following procedure:

1. The grate is removed by removing the ashpan and then lifting the grate out of the grate insert from underneath the grate (see Fig 19).
2. When replacing the grate, ensure that the fork on the underside of the grate is located over the grate pull rod (see Fig 20 & 21) and pull the grate pull rod to check that the grate is riddling.

Fig.19



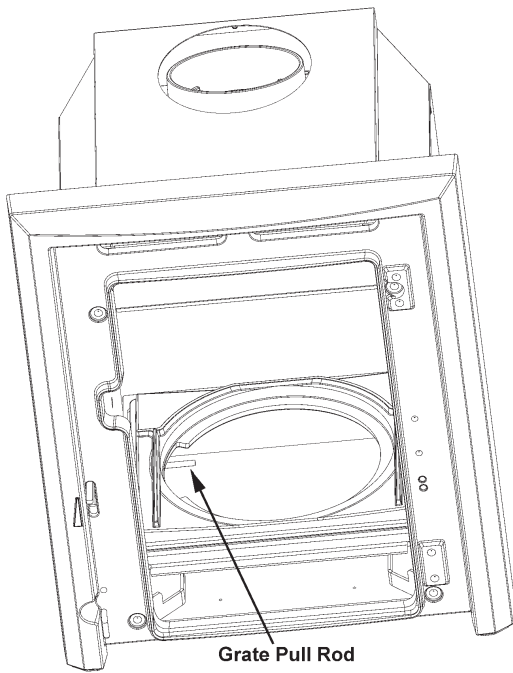


Fig.20

It is also important to clean the appliance flue-ways, flue-pipe and chimney prior to lighting up after a prolonged shut-down period.

REMEMBER COAL GASES ARE TOXIC

WARNING

There must not be an extractor fan fitted in the same room as the stove as this can cause the stove to emit fumes into the room.

IMPORTANT NOTES

Now that your Solid Fuel stove is installed and no doubt you are looking forward to many comforts it will provide, we would like to give you some tips on how to get the best results from your stove.

1. We would like if you could take some time to read the operating instructions/hints, which we are confident, will be of great benefit to you.
2. Do not burn fuel with a high moisture content, such as a damp peat or unseasoned timber. This will only result in a build up of tar in the stove and in the chimney and the possibility of a chimney fire.
3. **CLEAN THE FLUE-WAYS OF THE STOVE EVERY WEEK AND ENSURE THAT THERE ARE NO BLOCKAGES. CHECK FLUEWAYS BEFORE LIGHTING ESPECIALLY AFTER A SHUT-DOWN PERIOD. PLEASE REFER TO MANUAL FOR INSTRUCTIONS.**
4. Before loading fresh fuel into the firebox, riddle fully to remove all ashes this will allow better and cleaner burning. See Re-Fuelling Section.
5. Never allow a build up of ashes in the ash pan, as this may cause the grate to burn out prematurely.
6. Allow adequate air ventilation to ensure plenty of air for combustion.
7. Do not burn rubbish/house hold plastic.
8. Clean the chimney at least twice a year.
9. Burning soft fuels such as timber and peat will stain the glass. Regular cleaning will prevent permanent staining.
10. Keep all combustible materials a safe distance away from the appliance, please see section for clearances to combustibles.

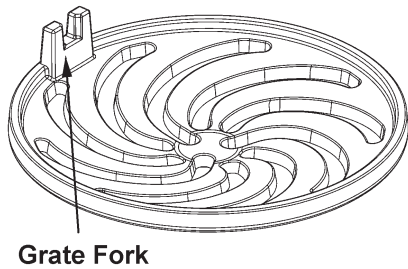


Fig.21

CREOSOTE: Formation and Need for Removal

When some fuels are burned slowly, they produce tar and other organic vapours, which combine with expelled moisture to form creosote. The creosote vapours condense in the relatively cool chimney flue of a slow-burning fire. As a result, creosote residue accumulates on the flue lining. When ignited creosote makes an extremely hot fire.

CHIMNEY CLEANING

The chimney should be cleaned twice annually. The chimney can be cleaned through the stove by removing the fire lining and the baffle. The flue liner should be cleaned in accordance with manufacturers instructions. Always use a brush with plastic bristles that is the correct size to reach all areas of the flue.

Where the chimney is believed to have served an open fire installation it is possible that the higher flue gas temperature from a closed appliance may loosen deposits that were previously firmly adhered, with the consequent risk of flue blockage. It is therefore recommended that the chimney be swept a second time within a month of regular use after installation.

11. Never Use Aerosols near stove when alight.
12. For safety reasons never leave children or the elderly unaccompanied while stove is in use. Use a fireguard.
13. Avoid contact with appliance when in use as the stove reaches very high operating temperatures.
14. This appliance should be regularly maintained by a competent service engineer. Use only replacement parts recommended by Waterford Stanley. Using unauthorised parts will invalidate your guarantee and may cause damage or injury.

AN ODOUR WILL EMIT FROM STOVE ON FIRST FIRING, WHEN FIRE REACHES MAXIMUM TEMPERATURE OVER A NUMBER OF HOURS THIS ODOUR WILL SUBSIDE.

IT IS BEST ADVISED TO OPEN WINDOWS DURING THIS PERIOD.

THIS ODOUR IS UNPLEASANT BUT NOT TOXIC. YOU MAY WISH TO VACATE THE ROOM WHILE THE PAINT CURES.

LIGHTING

Before lighting the stove check with the installer that the installation work and commissioning checks described in the installation instructions have been carried out correctly and that the chimney has been swept clean, is sound and free from any obstructions. As part of the stoves commissioning and handover the installer should demonstrate how to operate the stove correctly.

IMPORTANT: The first few fires should be relatively small to permit the refractory to set properly and to season the stove.

1. Before lighting the stove, ensure that any build-up in the firebox has been removed and that the ashpan has been emptied.
2. Open the spin valve by turning it anti-clockwise. Open secondary air control by pulling it down. These parts will become hot. Use the tool provided.
3. Lay a few crumpled sheets of paper on the grate and then a few small sticks, kindling or an approved firelighter. Ignite and close the door.
4. Never use inflammable liquid i.e. gasoline, petrol paraffin etc. to start or freshen up a fire in this heater.

5. When the fire is well established add fuel to the firebox. Adjust to the desired setting the spin valve and / or the secondary air slide depending on the fuel burned. (See Re-Fuelling Section).
6. To shut the fire down, do not add fuel. Make sure that the fire door is properly closed, that the spin valve is firmly shut and the secondary air slide is pushed up. Cutting off the air supply will reduce the heat output.

CO ALARM

Your Installer should have fitted a CO Alarm in the same room as the appliance.

See Warnings below:

WARNING:-

If the CO Alarm sounds unexpectedly:-

1. Open Doors and windows to ventilate the room and then leave the premises.
2. Let the fire go out.

WARNING NOTE

Properly installed, operated and maintained this stove will not emit fumes into the dwelling. Occasional fumes from de ashing and re fuelling may occur. However, persistent fume emission is potentially dangerous and must not be tolerated. If fume emission does persist, then the following immediate action should be taken:

- (a) Open doors and windows to ventilate the room and then leave the premises.
- (b) Let the fire go out.
- (c) Check for flue or chimney blockage and clean if required
- (d) **Do not attempt to relight the fire until the cause of the fume emission has been identified and corrected. If necessary seek expert advice.**

The most common cause of fume emission is flueway or chimney blockage. For your own safety these must be kept clean at all times.

FIRE SAFETY

To provide reasonable fire safety the following should be given serious consideration:

1. The installation of smoke detectors.
2. A conveniently located fire extinguisher to contend with small fires resulting from burning embers.
3. A practical evacuation plan.
4. A plan to deal with a chimney fire as follows:
 - a. Notify the fire department.
 - b. Prepare occupants for immediate evacuation.
 - c. Close all openings into the stove.
 - d. While awaiting the fire department watch for ignition to adjacent combustibles from overhead stove pipe or from embers or from sparks from the chimney.

GLASS

1. How to clean:

The glass will clean itself when there is sufficient heat generated by burning fuel. If a build-up of creosote occurs on the glass it may be due to draft conditions, poor quality fuel or very slow burning for a long time. Only clean glass when the stove is thoroughly cooled. Clean with a liquid detergent taking care not to scratch the glass with any coal ash deposits.

2. Glass Replacement:

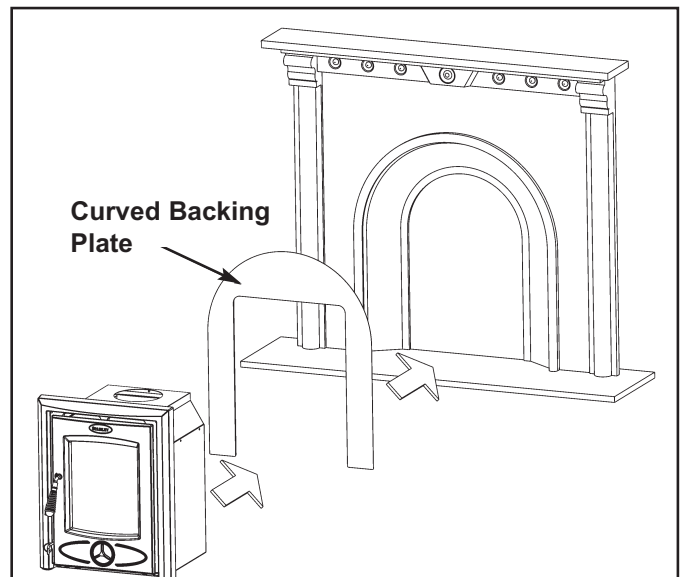
- a. Open the door fully.
- b. Remove the clips and carefully remove the broken glass.
- c. Clean the glass recess in the door.
- d. Place the glass into the door recess and replace the four corner clips.
- e. Tighten screws.
- f. Replace glass only with ceramic glass 5mm thick.

SUMMER SHUTDOWN

For summer shutdown of the stove, ensure all ashes have been cleaned from the ash compartment and that the air control is open, to avoid condensation in the stove firebox and possible corrosion during this shutdown period.

CURVED BACKING PLATE

This is available as an optional extra from your local stockist.





STANLEY SOLID FUEL STOVE WARRANTY

CONDITIONS OF WARRANTY

Your Stanley Solid Fuel Stove is guaranteed against any part that fails (under normal operating conditions) as detailed in the following table with timelines specified from the date of installation of the appliance. If the unit is not installed within six months of date of purchase, the warranty will commence six months from the date of purchase.

Warranty Period	Parts Covered (Parts & Labour unless Stated)
Up to 1 Year	<ul style="list-style-type: none"> • Refractory materials (supply only) • Rope seals, glass seals and cement seals. • Surface Finish on Seno models. • Grates and fire bars. • Ceramic glass is covered for Thermal breakage (supply only). • Rust (if reported before installation) • Aesthetic Damage (provided reported on date of receipt)
Up to 5 Years	<ul style="list-style-type: none"> • All external castings & enamel finishes (excluding impact damage or damage caused by overfiring). Pictures of damage must be submitted to WS Service Department.
Up to 3 Years	<ul style="list-style-type: none"> • Boiler - A Leaking Boiler Report must be conducted by an Authorised Stanley Service Engineer and submitted to WS Service Department for review.

The warranty is given only to the original consumer/purchaser only and is non-transferable. The appliance must be installed by a suitable qualified person and installed as per the requirements of the manual. Failure to comply with the installation requirements will void your warranty. Waterford Stanley reserve the right to replace any part due to manufacturing defect that fails within the warranty period under the terms of the warranty. The unit must be used for normal domestic purposes only and in accordance with manufacturer's operation instructions.

LIMITS OF LIABILITY

The warranty does not cover:

- * Special, incidental or consequential damages, injury to persons or Property, or any other consequential loss.
- * Any issue caused by negligence, misuse, abuse or circumstances beyond Waterford Stanley's control.
- * Any issue with wear and tear, modification, alteration, or servicing by anyone other than an authorized service engineer.
- * Installation and operational related problems such as draught related issues external to the stove, inadequate venting or ventilation, excessive flue offsets, negative air pressure caused by insufficient burning of improper fuel.
- * Damage caused to the unit while in transit.
- * Enamel discolouration due to over firing, enamel damage caused by impact, damage to baffles caused by over firing and fading of surface finish on casting.
- * Stress fractures on bricks.
- * Rust on cast iron parts unless reported prior to unit being installed.
- * Aesthetic damage, rust & missing parts on units purchased off display.

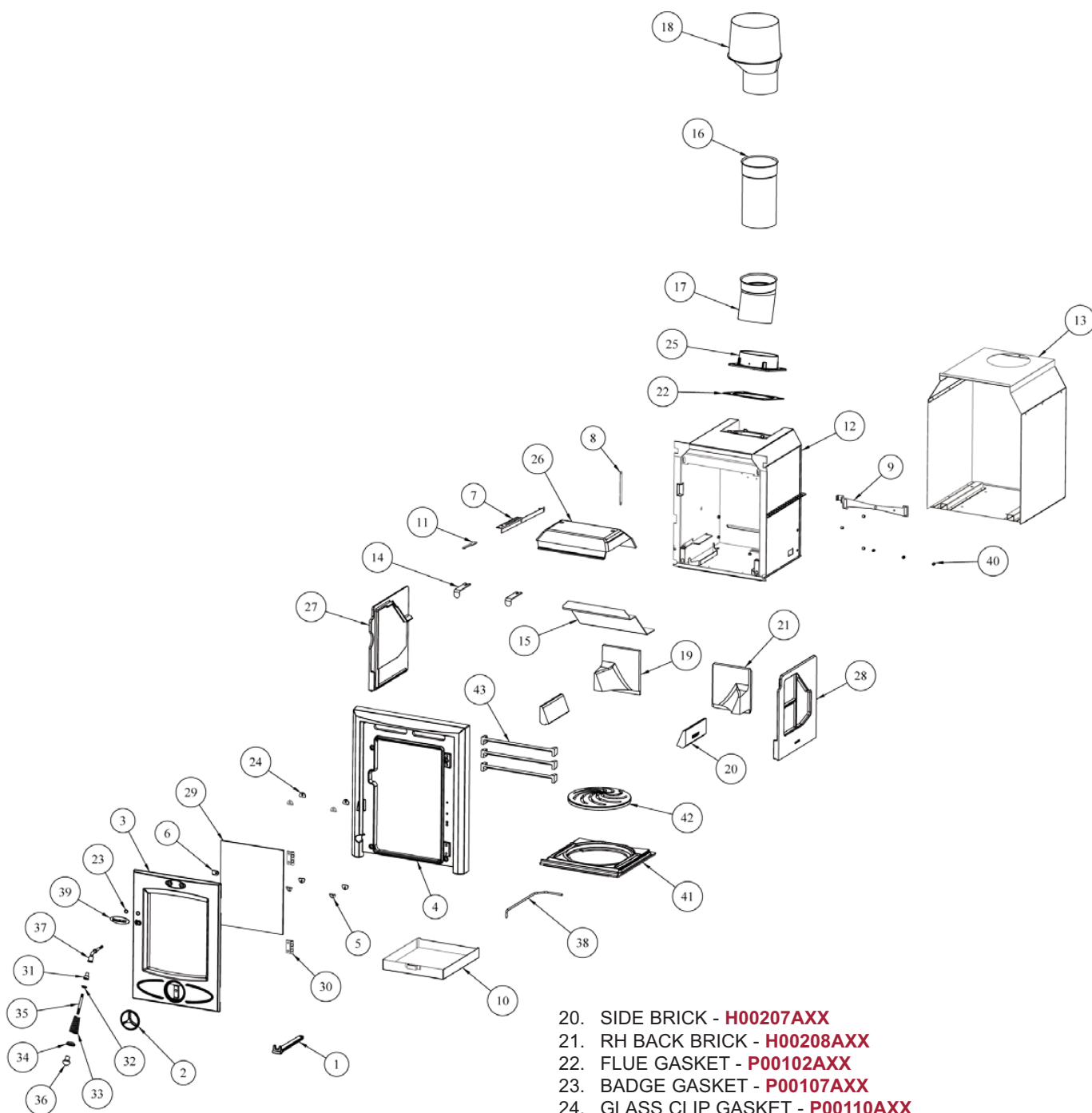
Note: Adequate clearance must be maintained around the appliance to ensure the ease of part removal in the possible event of their damage/failure. Waterford Stanley are not responsible for any costs incurred in the removal of items installed in the vicinity of the appliance that have to be moved to facilitate a part replacement.

All warranty claims must be reported to the Waterford Stanley Service Department and must be submitted with the product serial number (located on the front casting), date of purchase, proof of purchase (if requested) and details of the specific nature of the problem.

Manufactured by
Waterford Stanley Ltd.,
 Unit 401-403, IDA Industrial Estate, Cork Road,
 Waterford, Ireland.
 Tel: (051) 302300 Fax (051) 302315



CARA INSERT STOVE EXPLODED VIEW



1. OPERATING TOOL - **B00009DZZ**
2. SPIN VALVE - **B00032AZZ**
3. FIRE DOOR - **B00587AZZ**
4. FRONT - **B00588AZZ**
5. WINDOW CLIP - **CA1101**
6. DOOR CATCH - **F00928AXX**
7. SECONDARY AIR OP LEVER - **F00993AXX**
8. SECONDARY AIR CONNECTOR BAR - **F00994AXX**
9. SECONDARY AIR PLATE - **F00995AXX**
10. ASHPAN - **F00997AXX**
11. LEVER - **F01007AXX**
12. COMBUSTION CHAMBER - **F01078AXX**
13. CONVECTION CHAMBER - **F01079AXX**
14. BAFFLE SUPPORT - **F01084AXX**
15. BAFFLE - **F01198AXX**
16. 5" X 250MM STRAIGHT PIPE - **F01199AXX**
17. 5" 15 DEGREE BEND - **F01200AXX**
18. 5" TO 8" OFFSET CLAY ADAPTOR - **F01201AXX**
19. LH BACK BRICK - **H00203AXX**

20. SIDE BRICK - **H00207AXX**
21. RH BACK BRICK - **H00208AXX**
22. FLUE GASKET - **P00102AXX**
23. BADGE GASKET - **P00107AXX**
24. GLASS CLIP GASKET - **P00110AXX**
25. 5" FLUE - **Q00752AXX**
26. TOP BAFFLE - **Q00761AXX**
27. LH SIDE PLATE - **Q00790AXX**
28. RH SIDE PLATE - **Q00791AXX**
29. 16" DOOR GLASS - **T00098AXX**
30. HINGE - **U00153AXX**
31. SPIGOT TO DOOR HANDLE - **V0021AXX**
32. BLACK NYLON CAP WASHER - **V00669AXX**
33. BLACK COIL SPRING HANDLE - **V00806AXX**
34. BLACK DIAO INCREASING COLLAR - **V00807AXX**
35. BLACK M8 X 80 SPINDLE - **V00808AXX**
36. BLACK HANDLE END CAP - **V00850AXX**
37. DOOR AXLE - **V00857AXX**
38. PULL ROD - **V00911AXX**
39. BADGE - **V00912AXX**
40. SPACER - **V00956AXX**
41. GRATE SUPPORT - **Z00035AXX**
42. GRATE - **Z00036AXX**
43. FIRE FENCE - **Z00037AXX**

NOTES

NOTES



Manufactured by
Waterford Stanley Ltd.,
Unit 401-403, IDA Industrial Estate, Cork Road,
Waterford, Ireland.
Tel: (051) 302300 Fax (051) 302315
www.waterfordstanley.com
www.stanleystoves.com

