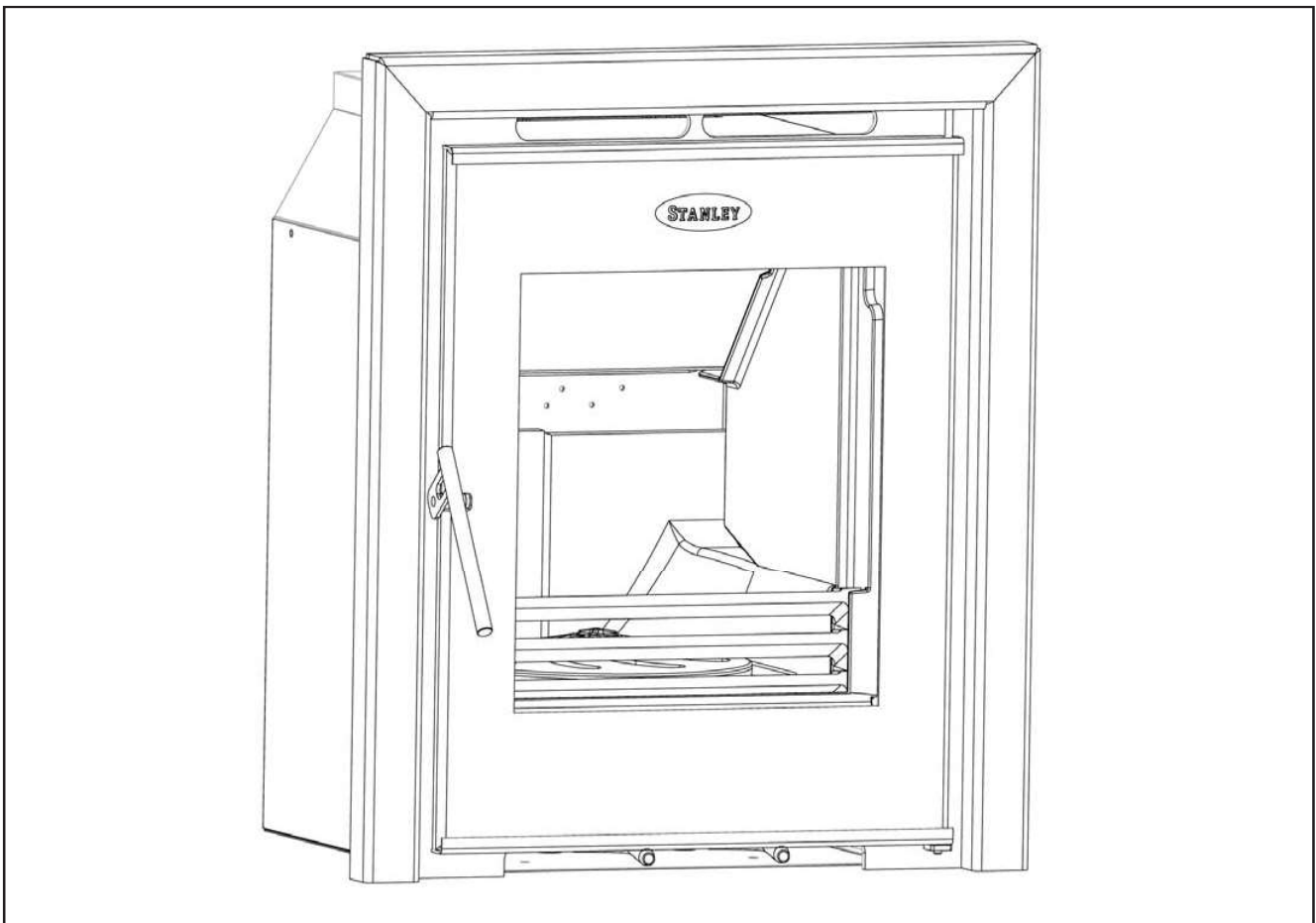

PLEASE RETAIN



Cara Glass Non Boiler Insert Stove

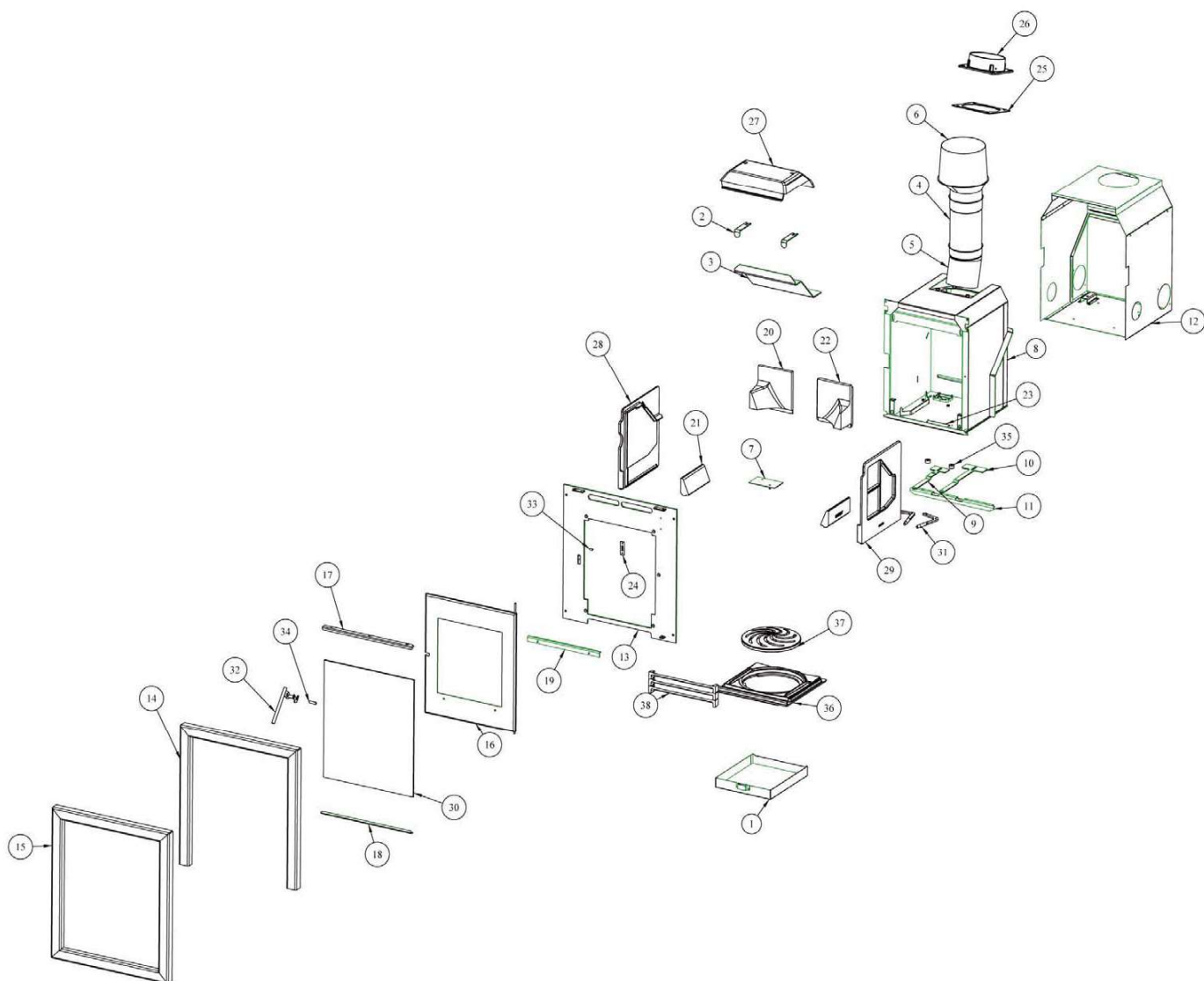


INSTALLATION AND OPERATING INSTRUCTIONS

This appliance is hot while in operation and retains its heat for a long period of time after use. Children, aged or infirm persons should be supervised at all times and should not be allowed to touch the hot working surfaces while in use or until the appliance has thoroughly cooled.

When using the stove in situations where children, aged and/or infirm persons are present a fireguard must be used to prevent accidental contact with the stove. The fireguard should be manufactured in accordance with BS 8423:2010.

CARA GLASS INSERT STOVE EXPLODED VIEW



- | | |
|--|--|
| 1. ASHPAN - F0097AXX | 20. LH BACK BRICK - H00203AXX |
| 2. BAFFLE SUPPORT - F01084AXX | 21. SIDE BRICK - H00207AXX |
| 3. BAFFLE - F01198AXX | 22. RH BACK BRICK - H00208AXX |
| 4. 5" X 250MM STRAIGHT PIPE - F01199AXX | 23. DATA PLAQUE - N00546AXX |
| 5. 5" 15 DEGREE BEND - F01200AXX | 24. SERIAL NUMBER PLATE - F00234AXX |
| 6. 5" TO 8" OFFSET CLAY ADAPTOR - F01201AXX | 25. FLUE GASKET - P00102AXX |
| 7. AIR COVER - F01302AXX | 26. 5" FLUE - Q00752AXX |
| 8. COMBUSTION CHAMBER - F01330AXX | 27. TOP BAFFLE - Q00761AXX |
| 9. LH DAMPER PLATE - F01331AXX | 28. LH SIDE PLATE - Q00790AXX |
| 10. RH DAMPER PLATE - F01332AXX | 29. RH SIDE PLATE - Q00791AXX |
| 11. SEALING BRACKET - F01333AXX | 30. GLASS - T00107AXX |
| 12. CONVECTION CHAMBER - F01334AXX | 31. OPERATING LEVER - V01075AXX |
| 13. MOUNTING PLATE - F01335AXX | 32. DOOR HANDLE - V01076AXX |
| 14. DOOR FRAME 3 SIDED - F01336AXX | 33. DOOR CATCH ROLLER - V01078AXX |
| 15. DOOR FRAME 4 SIDED - F01337AXX | 34. DOOR HANDLE SPACER - V01079AXX |
| 16. STEEL DOOR - F01338AXX | 35. BUSH - V01080AXX |
| 17. GLASS RETAINER TOP - F01339AXX | 36. GRATE SUPPORT - Z00035AXX |
| 18. GLASS RETAINER BOTTOM - F01340AXX | 37. GRATE - Z00036AXX |
| 19. DEFLECTOR PLATE - F01344AXX | 38. FIRE FENCE - Z00037AXX |