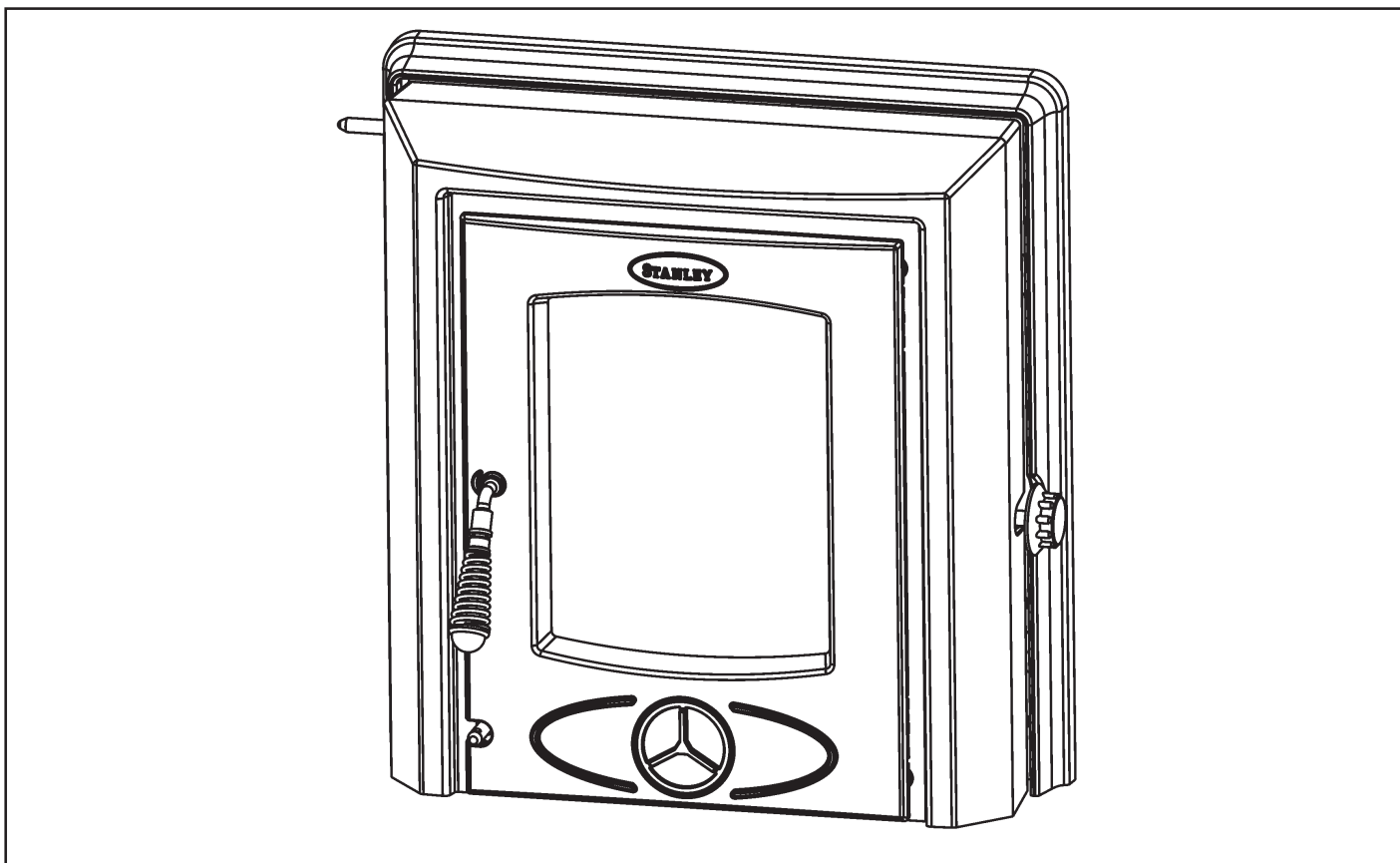




Cara+ Solid Fuel High Output Boiler Insert Stove

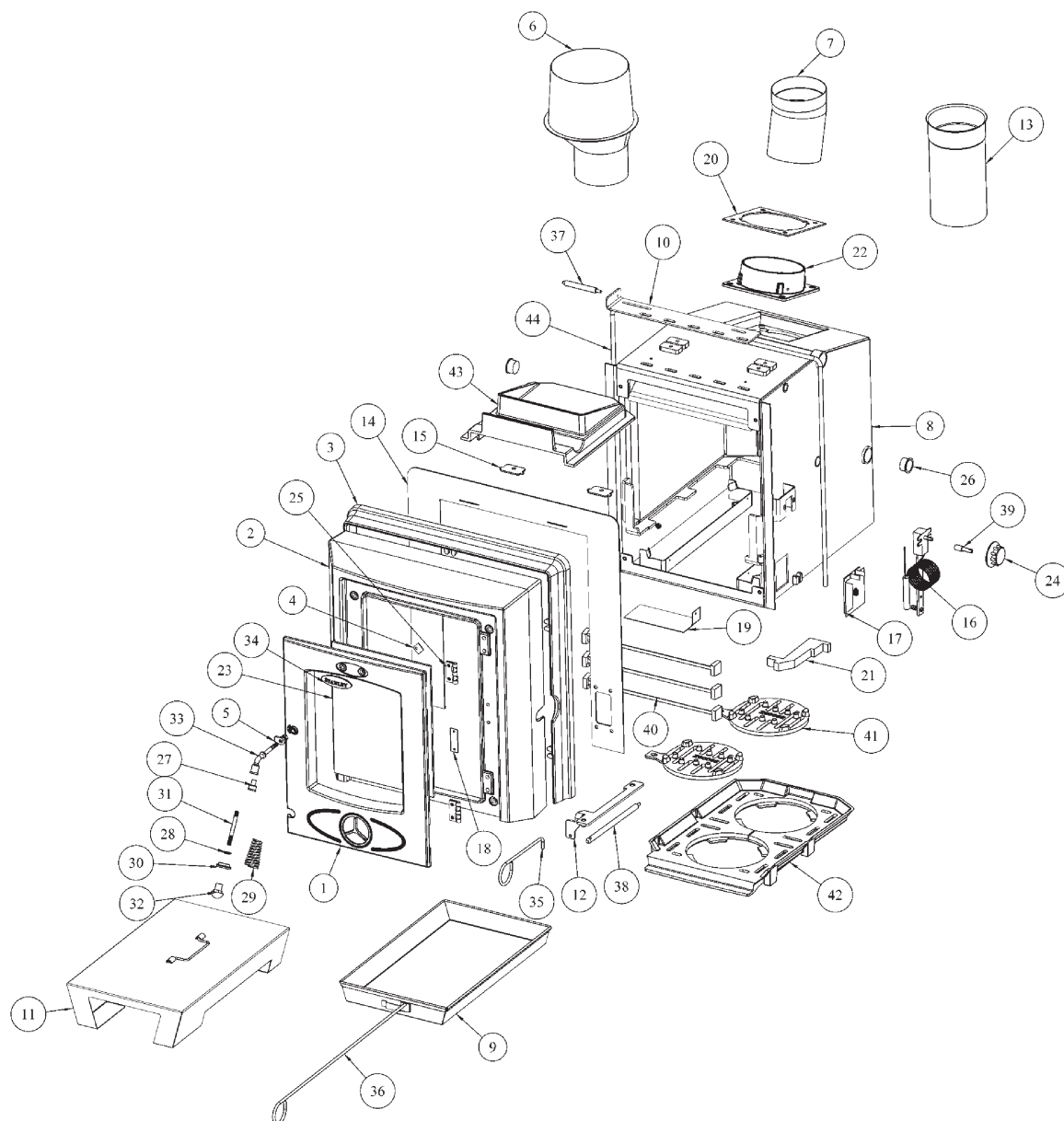


This appliance is hot while in operation and retains its heat for a long period of time after use. Children, aged or infirm persons should be supervised at all times and should not be allowed to touch the hot working surfaces while in use or until the appliance has thoroughly cooled.

When using the stove in situations where children, aged and/or infirm persons are present a fireguard must be used to prevent accidental contact with the stove. The fireguard should be manufactured in accordance with BS 8423:2002.

INSTALLATION AND OPERATING INSTRUCTIONS

EXPLODED VIEW



- | | |
|---|--|
| 1. FIRE DOOR - B00627AZZ | 24. AIR CONTROL KNOB - U00006AXX |
| 2. FRONT CASTING - B00628AZZ | 25. HINGE - U00153AXX |
| 3. FRONT CASTING SHROUD - B00632AZZ | 26. BOILER PLUG - V00016AXX |
| 4. DOOR GLASS CLIP - F00003AXX | 27. SPIGOT TO DOOR HANDLE - V00021AXX |
| 5. DOOR CATCH - F00928AXX | 28. BLACK NYLON CAP WASHER - V00669AXX |
| 6. 8 - 5"ADAPTOR - F01201AXX | 29. BLACK COIL SPRING HANDLE - V00806AXX |
| 7. 15 DEG ADAPTOR - F01200AXX | 30. BLACK DIA INCREASING COLLAR - V00807AXX |
| 8. BOILER ASSEMBLY - F01106AXX | 31. BLACK M8 X 80 SPINDLE - V00808AXX |
| 9. ASH PAN - F01137AXX | 32. BLACK HANDLE END CAP - V00850AXX |
| 10. AIR WASH SLIDER PLATE - F01143AXX | 33. DOOR AXLE - V00857AXX |
| 11. ASHPAN CADDY - F01149AXX | 34. BADGE - V00912AXX |
| 12. LINKAGE ASSEMBLY - F01181AXX | 35. TOOL - V01018AXX |
| 13. 5" X 250MM STRAIGHT PIPE - F01199AXX | 36. ASHPAN TOOL - V01019AXX |
| 14. WALL FLANGE PLATE - F01264AXX | 37. AIR WASH PULL ROD - V01021AXX |
| 15. WALL FLANGE FIXING PLATE - F01265AXX | 38. RIDDLE PULL ROD - V01030AXX |
| 16. THERMOSTAT - G00001AXX | 39. THERMOSTAT CONNECTOR SHAFT - V01039AXX |
| 17. DAMPER PLATE ASSY - L00667AXX | 40. FIRE FENCE - Z00020AXX |
| 18. SERIAL NUMBER PLATE - N00234BXX | 41. GRATE - Z00062AXX |
| 19. DATA PLAQUE - N00580AXX | 42. GRATE HOLDER - Z00063AXX |
| 20. FLUE GASKET - P00102AXX | 43. TOP BAFFLE - Z00064AXX |
| 21. AIR SEAL SPONGE - P00111AXX | |
| 22. 5" FLUE - Q00752AXX | |
| 23. 16" DOOR GLASS - T00098AXX | |