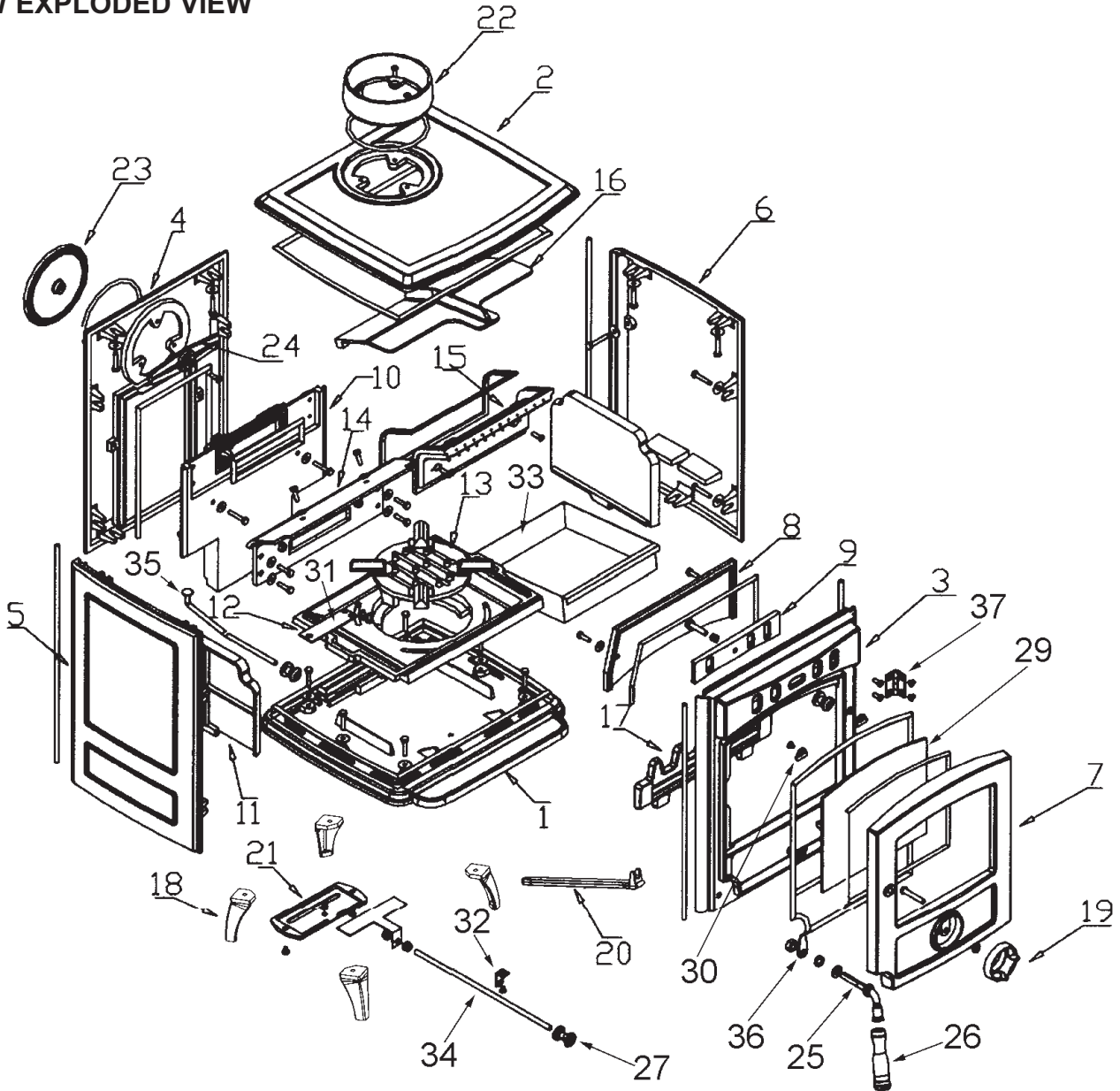


5kW EXPLODED VIEW



1. BASE	SM08201WF	22. SPIGOT	I125
2. HOB	SM08202WF	23. FLUE COVER BLANKING PLATE	C125
3. FRONT	SM08203	24. BLANKING PLATE LOCKING BAR	C125Y
4. BACK	SM08204	25. DOOR HANDLE AXLE	CA0101
5. LH SIDE PANEL	SM08205WF	26. WOODEN HANDLE	CA0102
6. RH SIDE PANEL	SM08206WF	27. PULL ROD KNOB	CA0104
7. FIRE DOOR	SM08207	29. GLASS	CA10082
8. AIR WASH COVER	SM08208	30. GLASS CLIPS	CA1101
9. AIR WASH SHUTTER	SM08209	31. BLANKING PLATE	CA1102
10. BACK BRICK	SM08210	32. PULL ROD BRACKET	CA1103
11. LH & RH SIDE BRICKS	SM08211	33. ASHPAN	CA12082
12. FIRE BED	SM08212	34. PULL ROD	CA1301
13. GRATE	SM08213	35. RIDDLING ROD	CA1401
14. MIDDLE BAFFLE	SM08214	36. DOOR CATCH	CA1502
15. LOWER BAFFLE	SM08215	37. DOOR HINGE	CA1601
16. TOP BAFFLE	SM08216		
17. FIRE FENCE	SM08217		
18. LEG	SM08218		
19. SPIN VALVE	CAF0165		
20. ASHPAN LIFTER	CA0105		
21. BACK AIR DAMPER	CA0903		