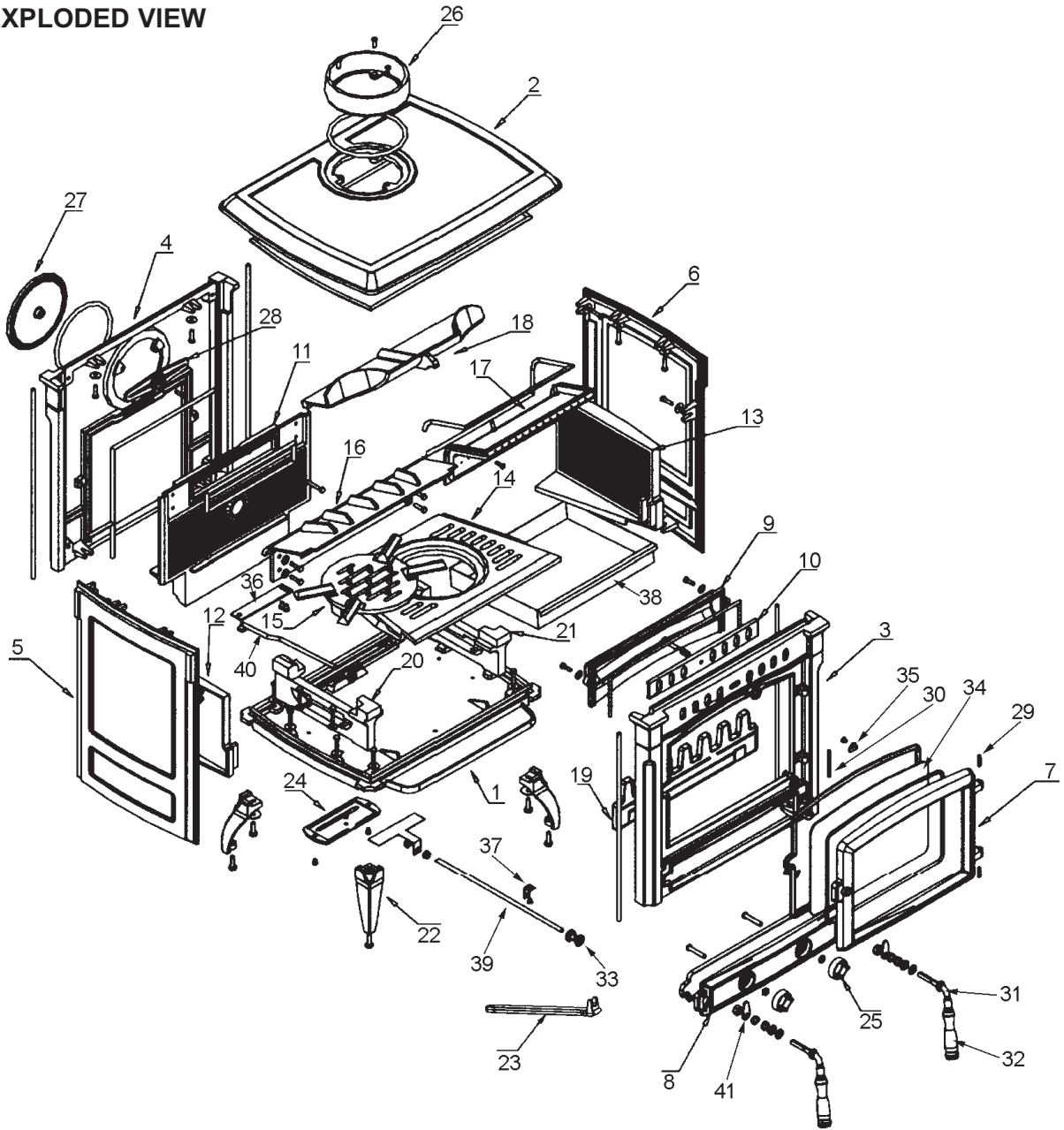


10kW EXPLODED VIEW



1. BASE	SM08601WF	22. LEG	SM08623
2. HOB	SM08602WF	23. ASHPAN LIFTER	CA0105
3. FRONT	SM08603	24. BACK AIR DAMPER	CA0904
4. BACK	SM08604	25. SPIN VALVE	CAF0145
5. LH SIDE PANEL	SM08605WF	26. SPIGOT	I150
6. RH SIDEPANEL	SM08606WF	27. BLANKING PLATE	C150
7. FIRE DOOR	SM08607	28. BLANKING PLATE LOCKING BAR	C150Y
8. ASH DOOR	SM08608HM	29. FIRE DOOR PIN	CA0602
9. AIR WASH COVER	SM 08609	30. ASH DOOR PIN	CA0605
10. AIR WASH SHUTTER	SM086010	31. DOOR HANDLE AXLE	CA0101
11. BACK BRICK	SM08611	32. WOODEN HANDLE	CA0102
12. LH SIDE BRICK	SM08612	33. PULL ROD KNOB	CA0104
13. RH SIDE BRICK	SM08613	34. GLASS	CA10086
14. FIRE BED	SM08614	35. GLASS CLIPS	CA1101
15. GRATE	SM08615	36. BLANKING PLATE	CA1102
16. MIDDLE BAFFLE	SM08616	37. PULL ROD BRACKET	CA1103
17. LOWER BAFFLE	SM08617	38. ASHPAN	CA12086
18. TOP BAFFLE	SM08618	39. PULL ROD	CA1301
19. FIRE FENCE	SM08620WF	40. RIDDLING ROD	CA1401
20. LEFT GRATE REST	SM08621	41. DOOR CATCH	CA1502
21. RIGHT GRATE REST	SM08622		