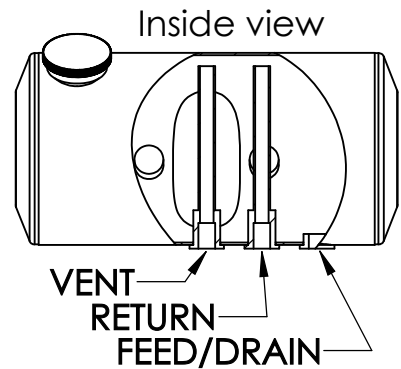
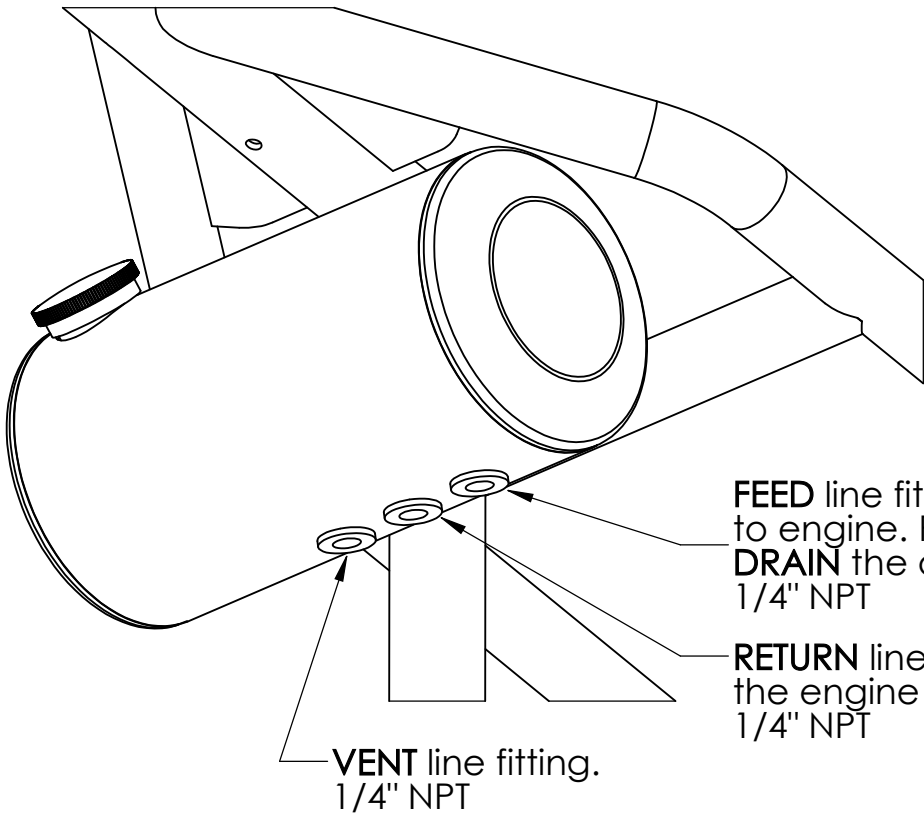
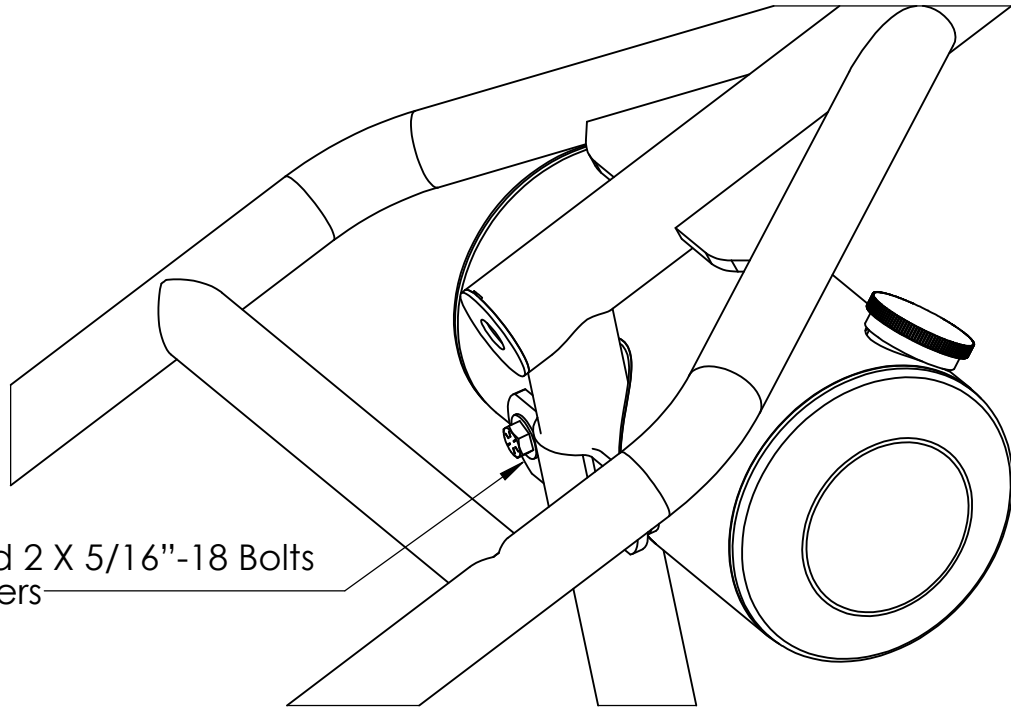


# Clamp On Sportster Oil Tank

- Lowbrow Customs #012459 Dished Clamp-On Steel Oil Tank.
- No welding is required to mount tank.
- Clamps onto any seat post with a diameter of 1-1/2".



**FEED** line fitting. Oil goes from tank to engine. Remove this line to **DRAIN** the oil tank.  
1/4" NPT

**RETURN** line fitting. Oil goes from the engine into the tank.  
1/4" NPT

**VENT** line fitting.  
1/4" NPT