




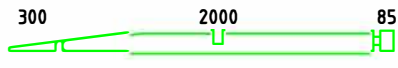


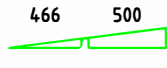



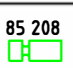



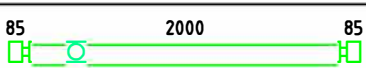











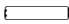
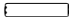

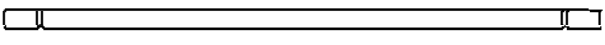

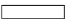
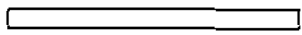
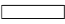
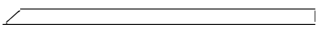

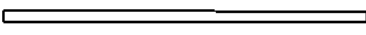


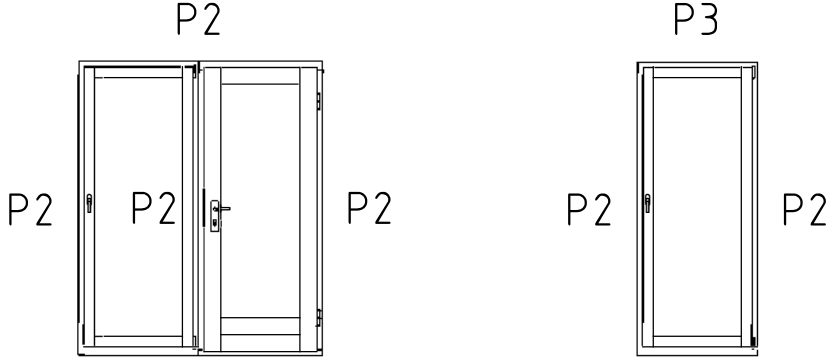


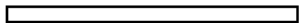
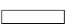
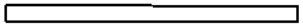

- **Read the entire manual before assembly.**
- **Get the tools you need.**

April 2023










Pos	Drawing Model G4 Outdoor Sauna	Quantity	Profil (mm)	Lenght (mm)
001		1	45x130	1147
002		1	45x130	338
003		14	45x130	1147
004		14	45x130	338
005		2	45x130	2475
006		2	45x130	2475
007		2	45x58	459
008		2	45x130	1545
009		2	45x129	1011
010		1	45x130	2260
011		30	45x130	2260
012		2	45x65	338
013		28	45x130	338
014		1	45x130	2260
015		2	45x130	2490
016		1	45x65	2260
017		1	45x130	2260
GR1	 GROUNDFRAME	2	90x45	2380
FB1	 FLOORBEAMS	2	45x45	2070
FB3	 FLOORBEAMS	3	45x45	1990
FB2	 FLOORBEAMS	1	45x45	1890
FB4	 FLOORBEAMS	3	45x45	345
PR1	 Purlins	1	70x170	2490
	WINDOW 765x1900	2		
	DOOR 800x1900	1		

Model G4 Outdoor Sauna

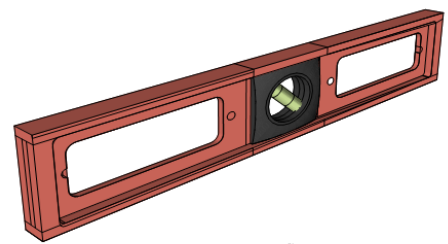
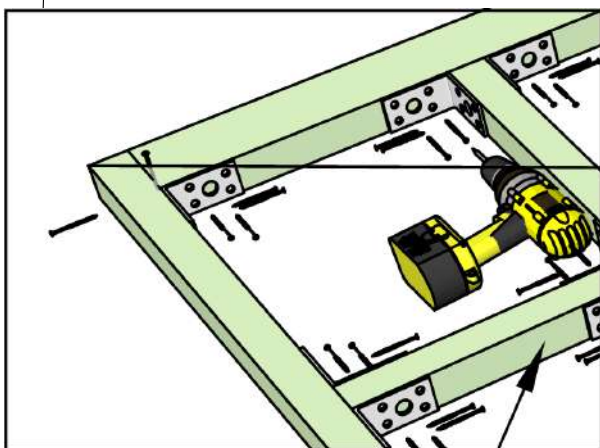
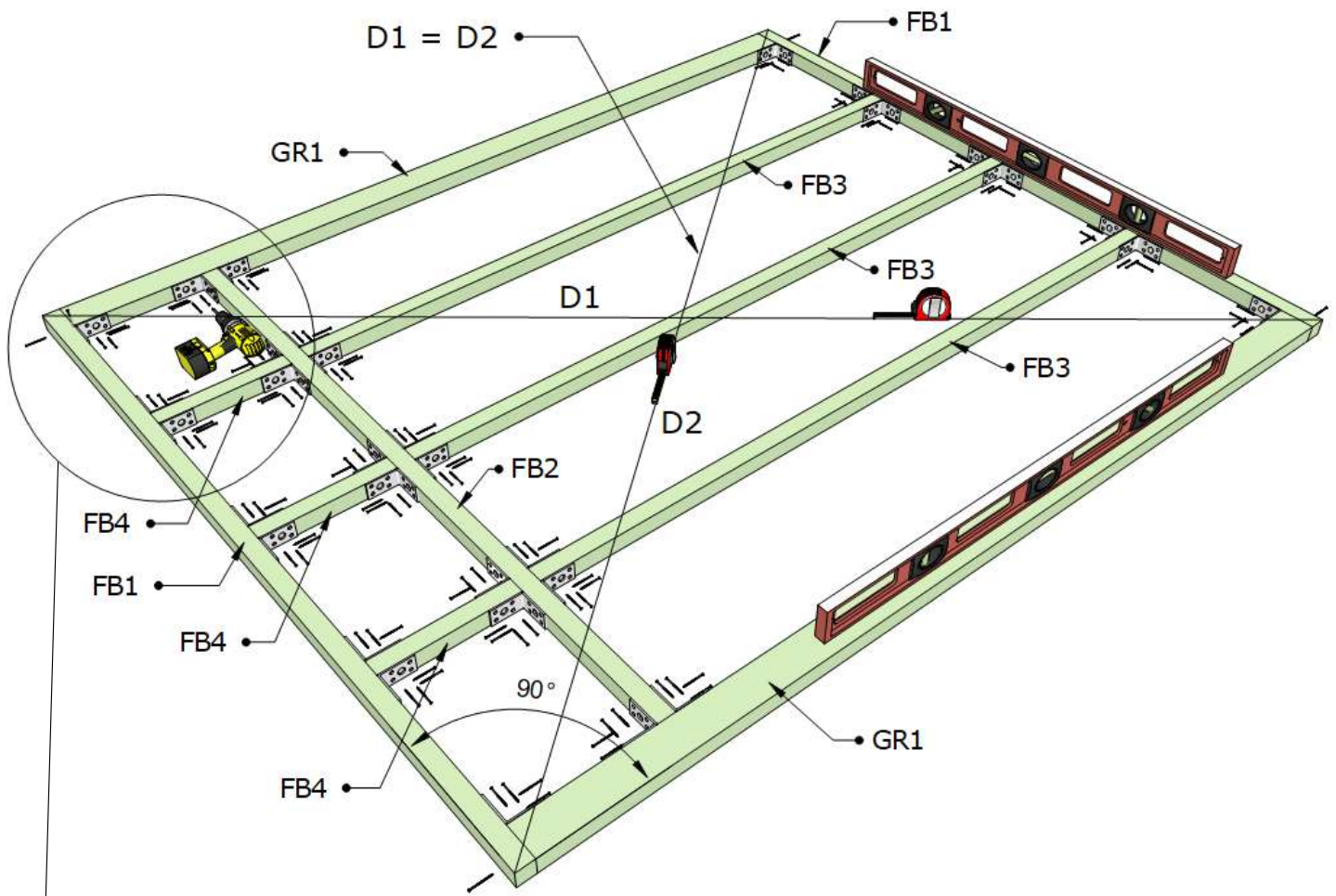
45x130 mm

POS	ST.	B	H	L	
FB/GR	According to Spec				 LAGERHOLZ
F1	4m ²	28		1995	 TERRACE FLOOR BOARDS
F2	0.84m ²	28		2090	 TERRACE FLOOR BOARDS
PR1	1	70	170	2490	 PURLINS 
RB1	7,3m ²	20		2913	 ROOF BOARDS (1341 mm + 1572 mm)
R1	2	20	140	2530	 FRONTBOARD 
R2	4	20	140	1550	 GABLEBOARD 
R3	2	45	45	2490	 FRONTBOARD FIXING 
SK	2	45	65		 HAMMER BLOCK 
DR1 WN1 WN2	1 1 1	800 765 765	1900 1900 1900		
P1	9m	20	40		 FLOOR STRIPS
P2	6+6	20	90	1880	 INT, EXT SLATS DR1, WN1, WN2 
P3	1+1	20	90	1065	 INT, EXT SLATS WN2 
	1+1				 VENTILATION COVER



	Groundframe	20
 4x50	Groundframe	120
 5x100	First row of wall logs	12
 4x50	Floorboards	130
 4x50	Floor edge trims	15
 4x50	Roofboards	95
 4x50	Frontboard, Gableboard, Frontboard fixing	50
 5x100	Purlins	2
 4x50	Window and door slats	80

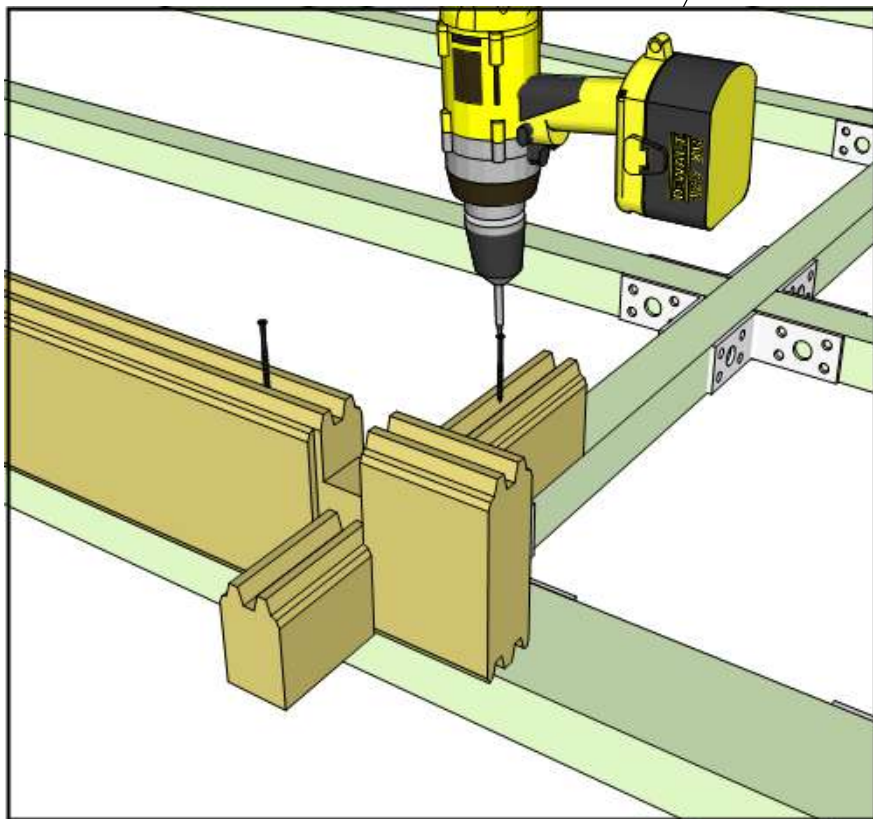
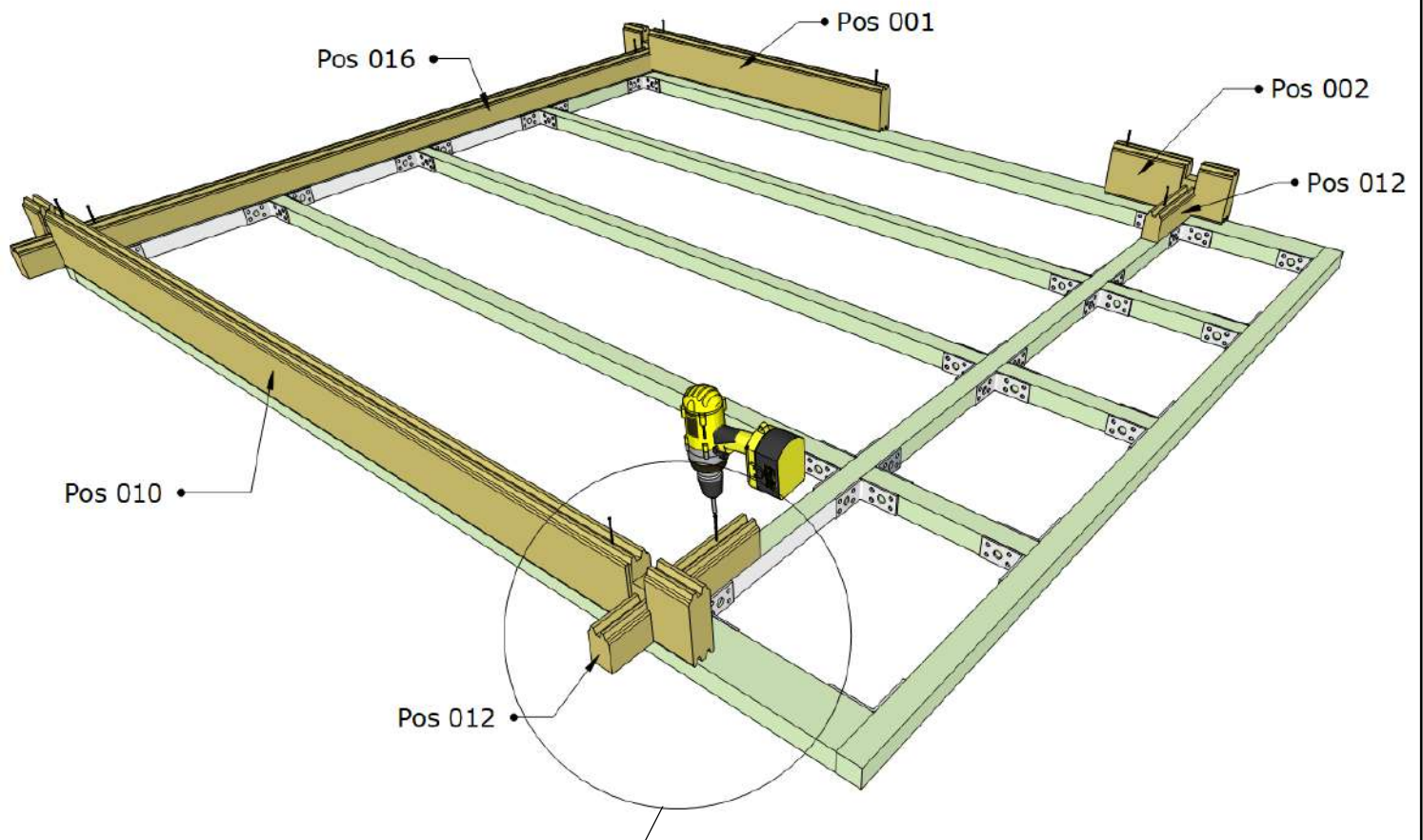
- Fasten the base frame with screws. If possible, fasten the base frame to the Foundation
- Diagonals must be of the same lengths.
- Drill holes before screws.



Use waterlevel and measuring tape

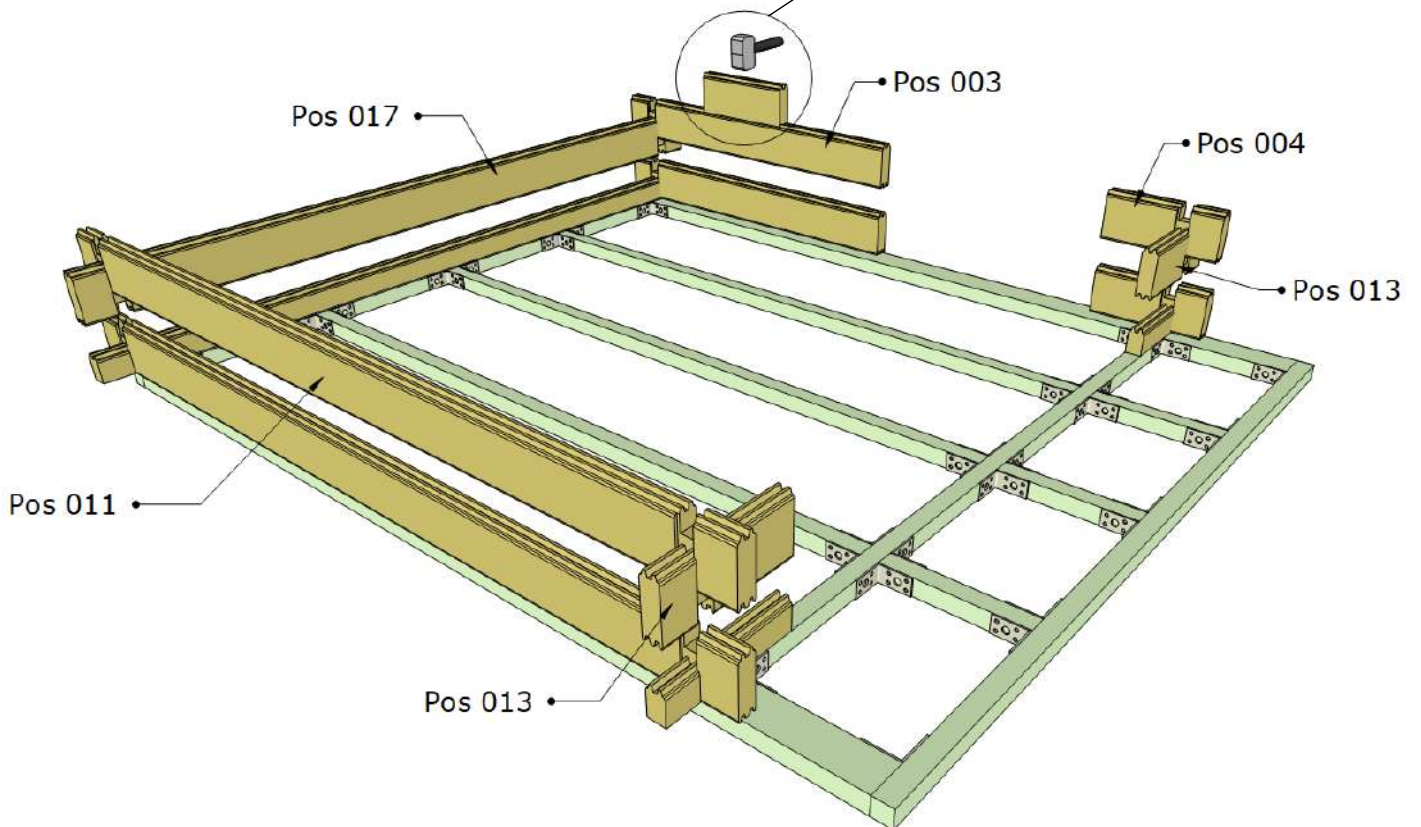
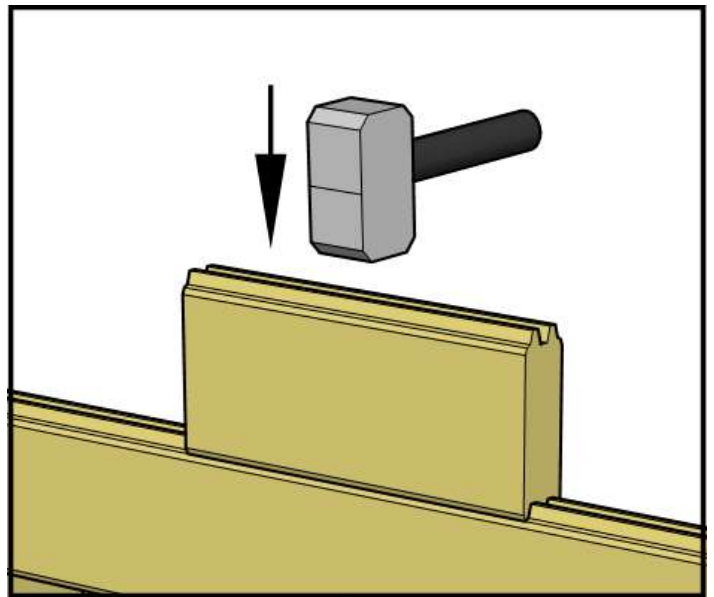
1 Groundframe

- The wall plank must be 10 mm above the edge of the base frame.
- The first wall plank row must be fixed with screws to the base frame.



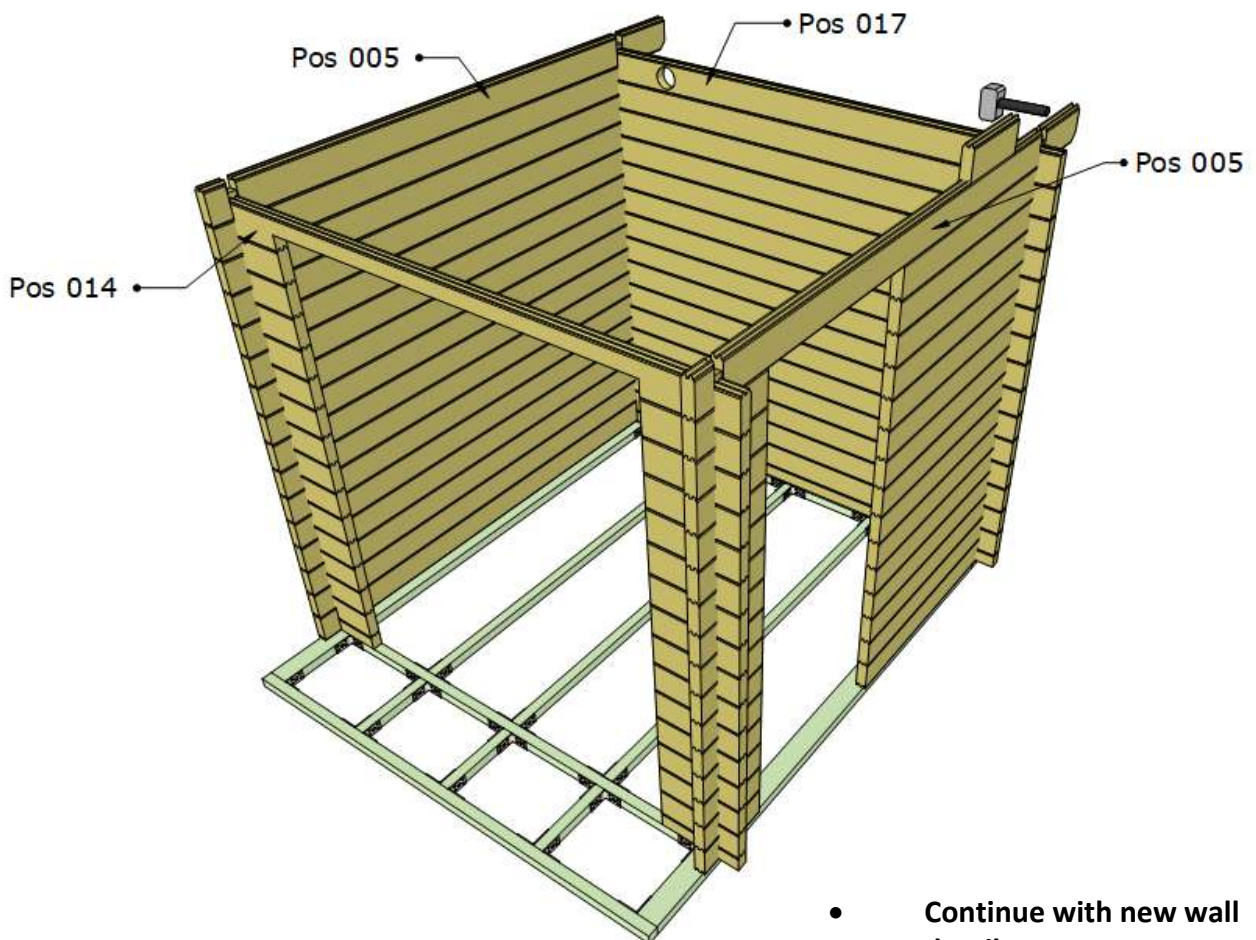
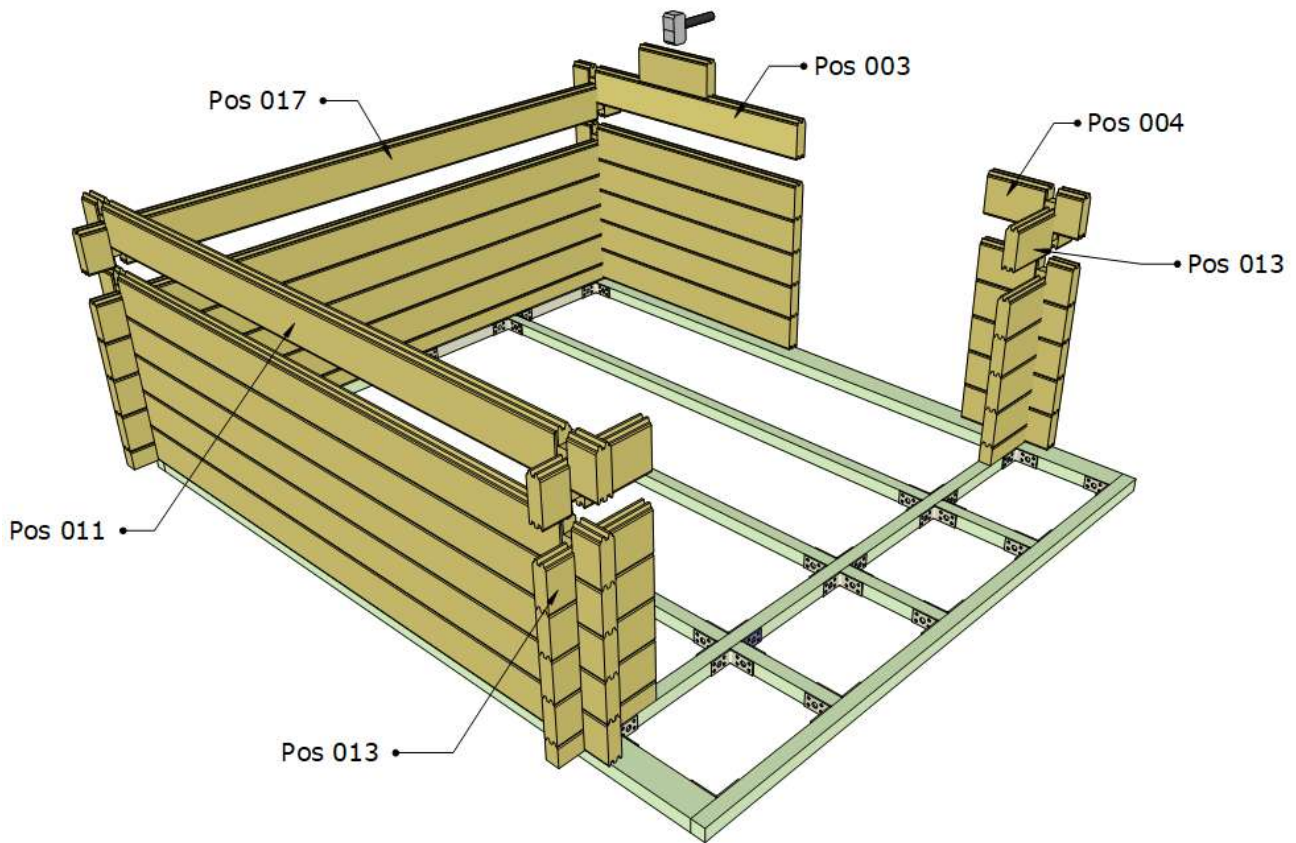
2 First wall row

- Use hammer and hammer block.



3 Installing walls

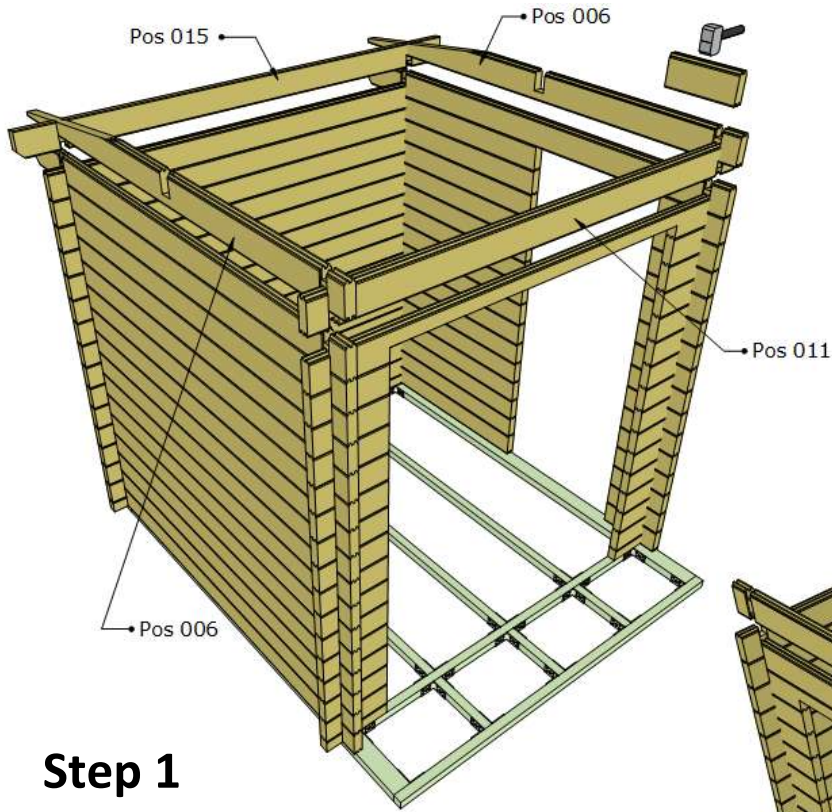
- Use hammer and hammer block.
- Install the positions below completely.



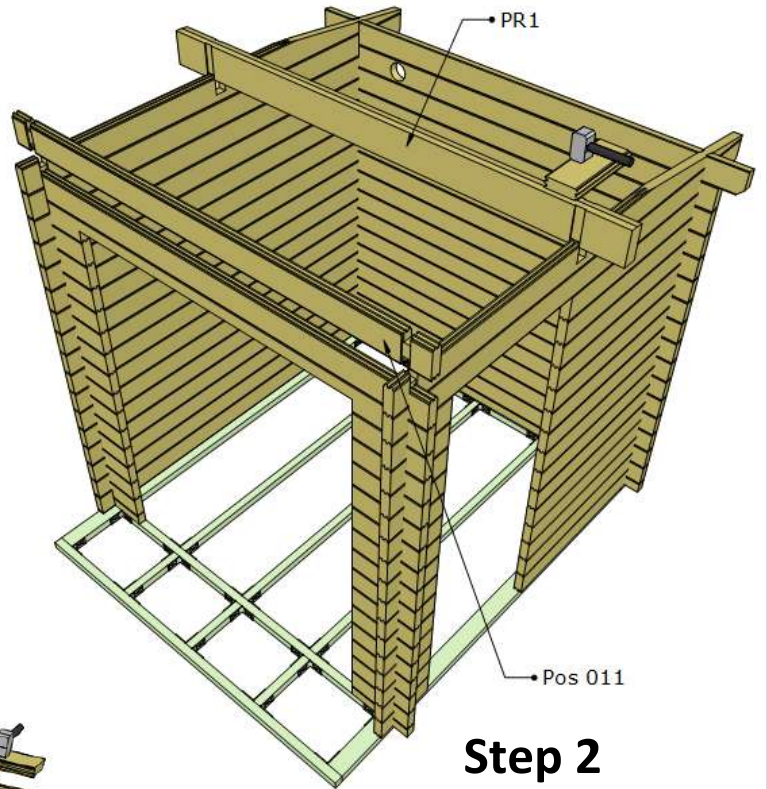
- Continue with new wall details.

4 Installing walls

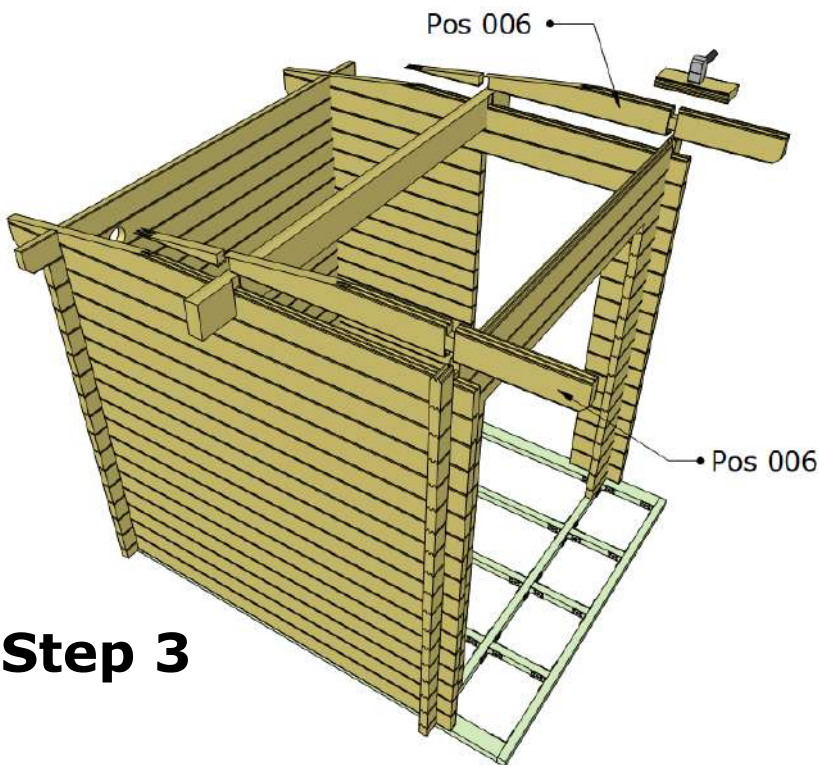
- Use hammer and hammer block.



Step 1

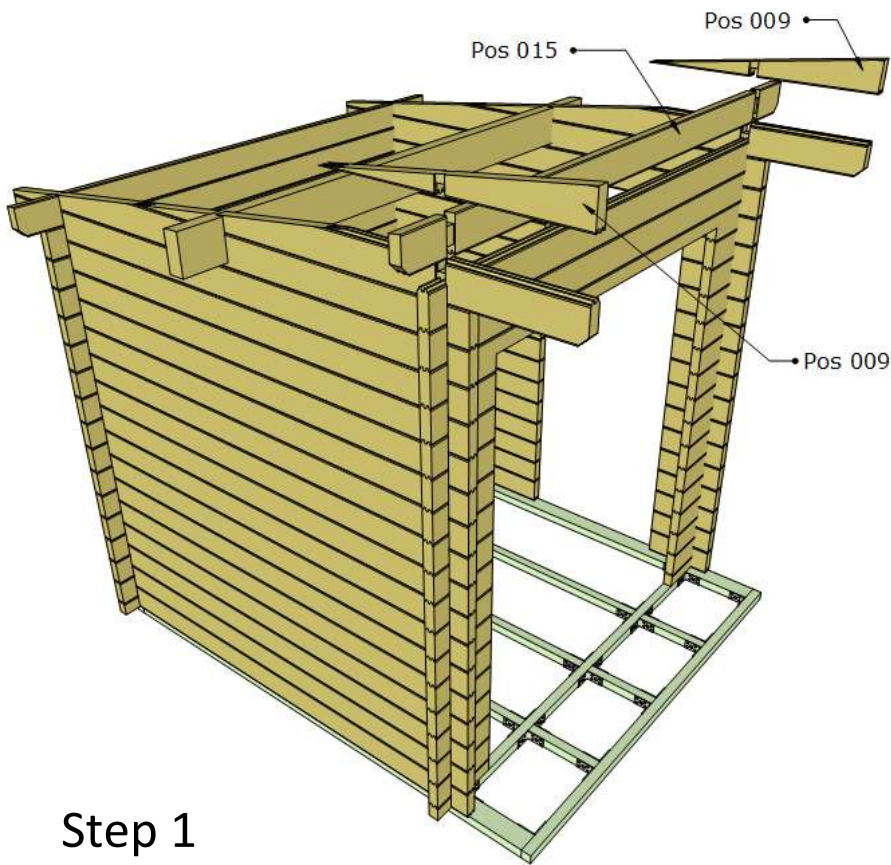


Step 2

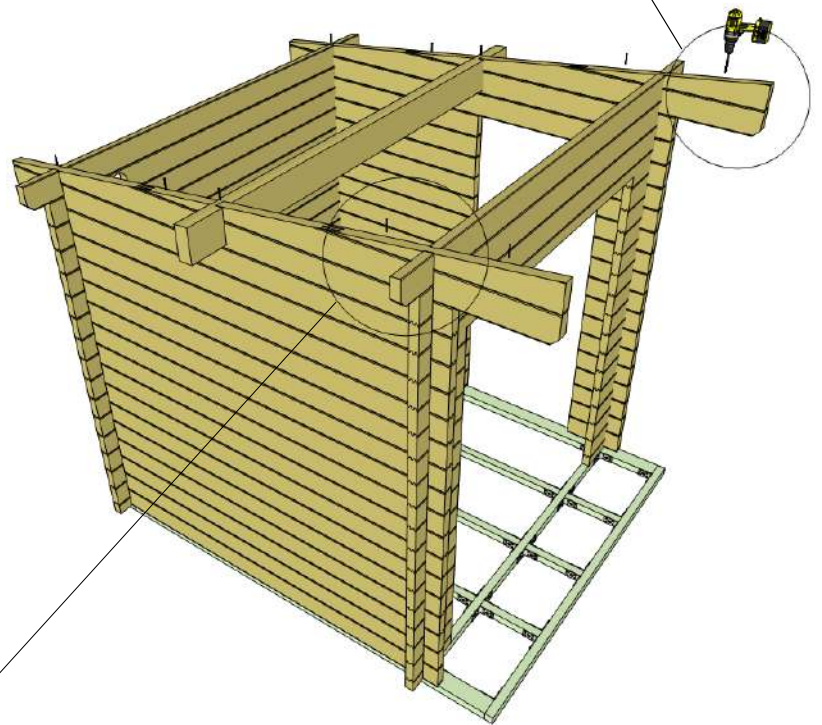
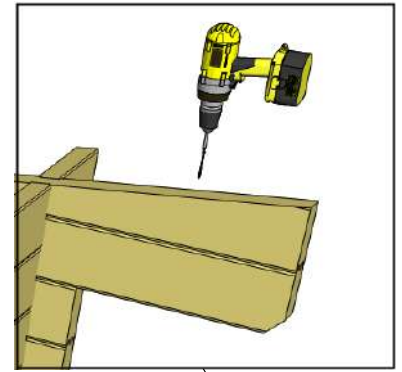


Step 3

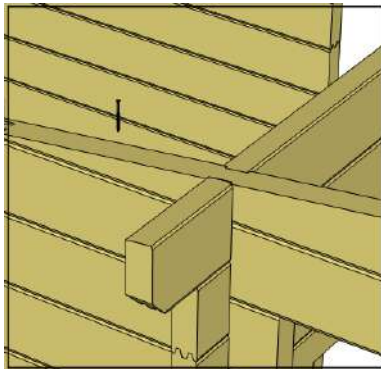
- Use hammer and hammer block.



Step 1

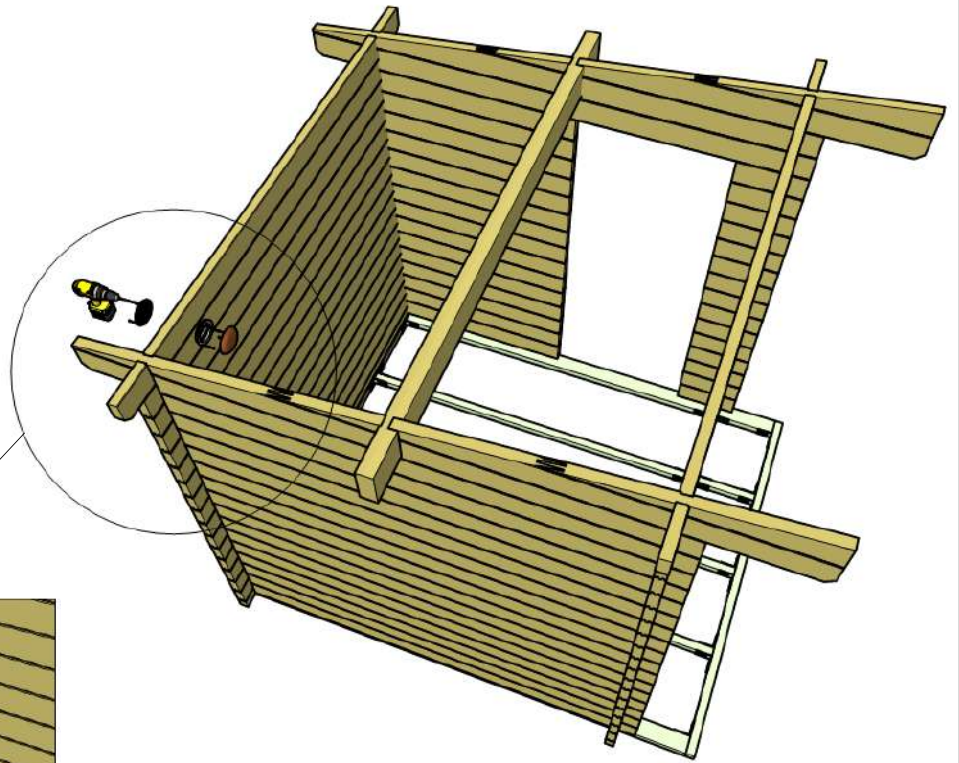


Step 2

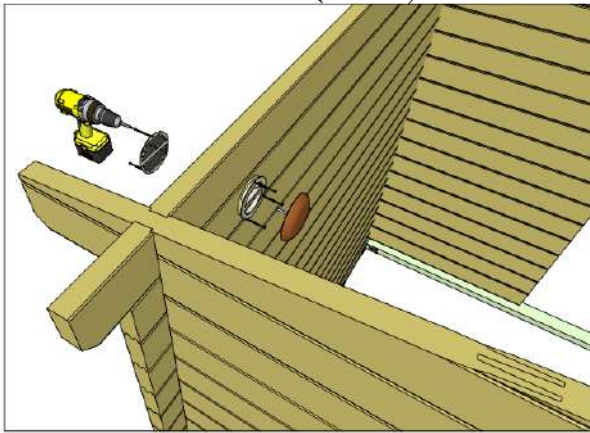


- Fasten the purlins with screws. Make sure the upper side of the purlins is oblate. If necessary, adjust the tapping of the purlins.
- Fasten the gable parts with screws.

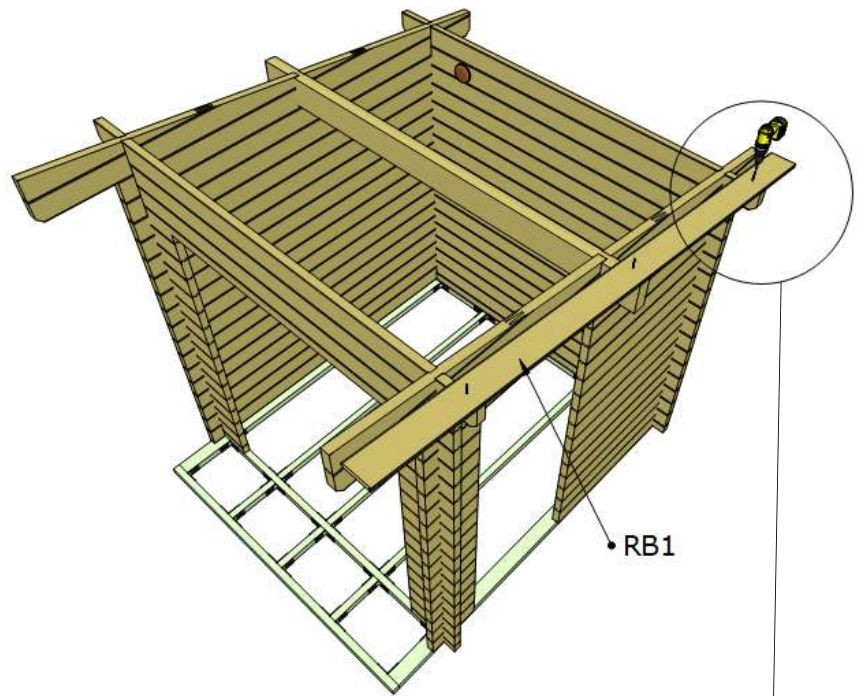
- Install the ventilation grill in the back wall.



Ventilation grill details.
Install the wooden part
inside the room

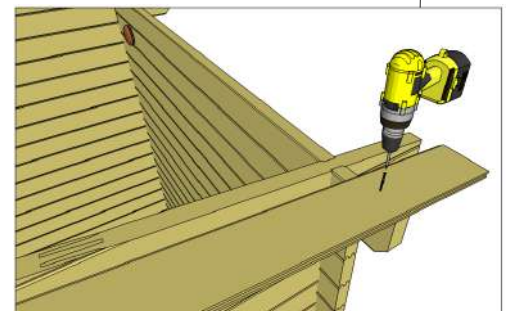


Step 1



Step 2

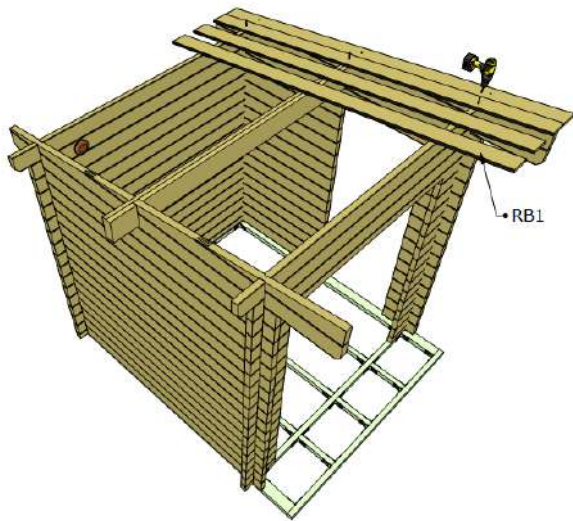
- Fasten the roof boards with screws. Start with the groove edge on the board.



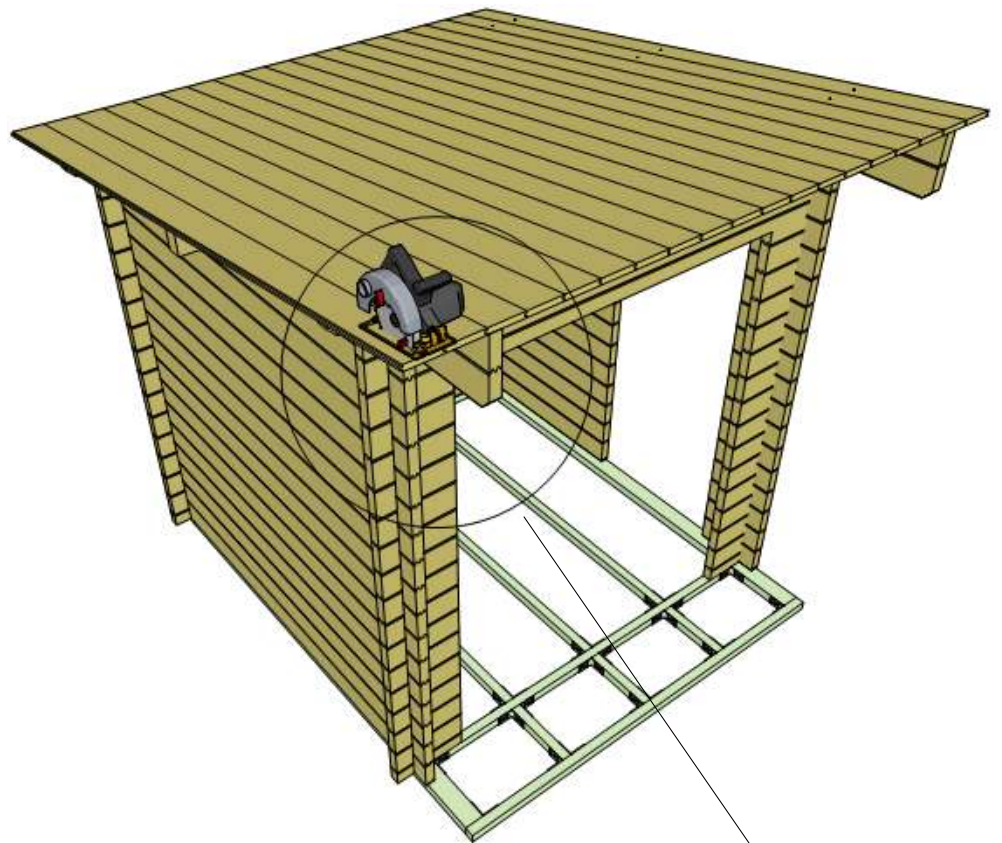
7

Ventilation grill/Roof boards

- Complete the installation of parts RB1

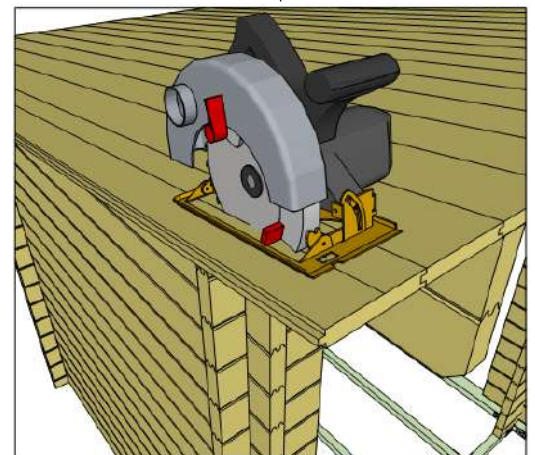


Step 1

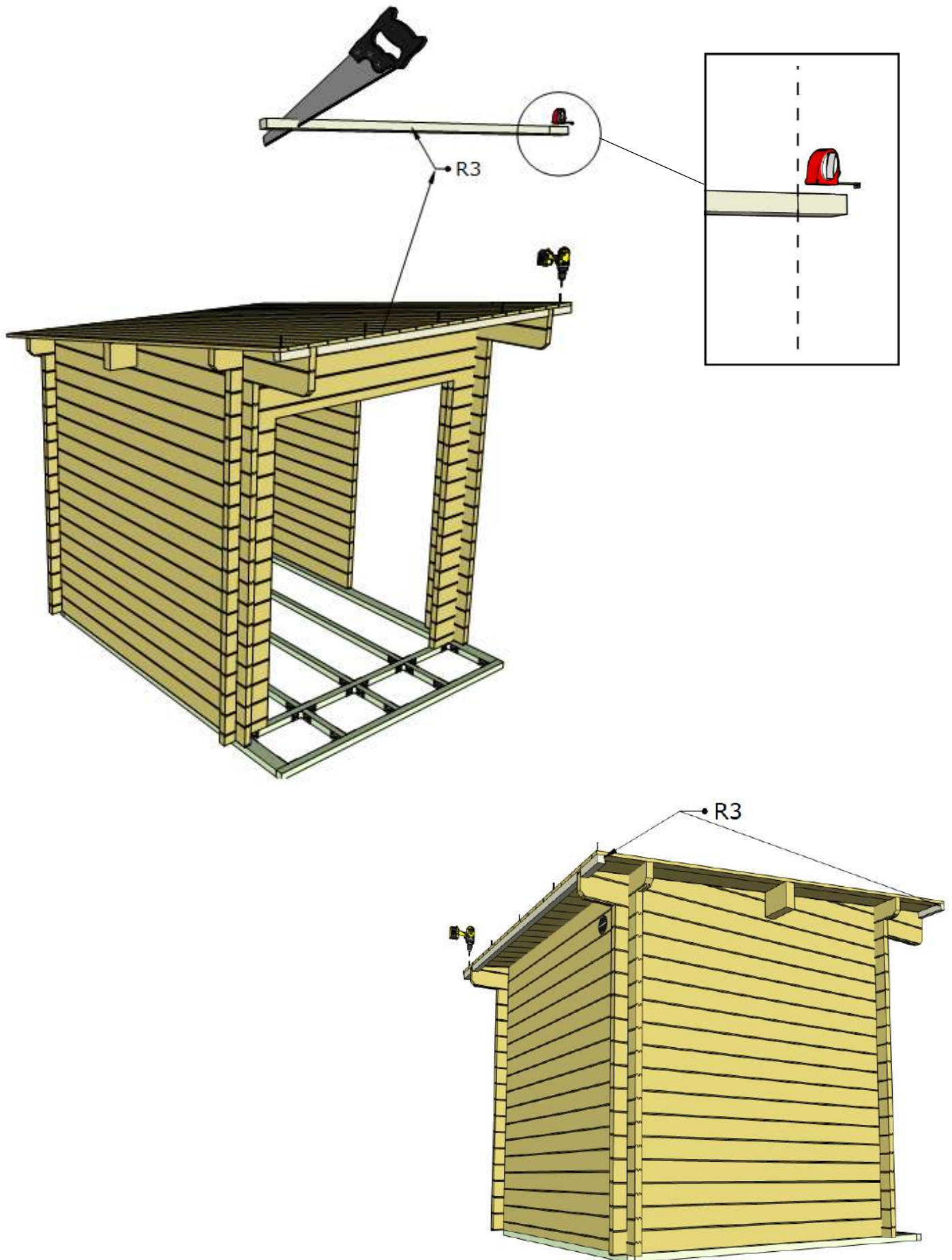


Step 2

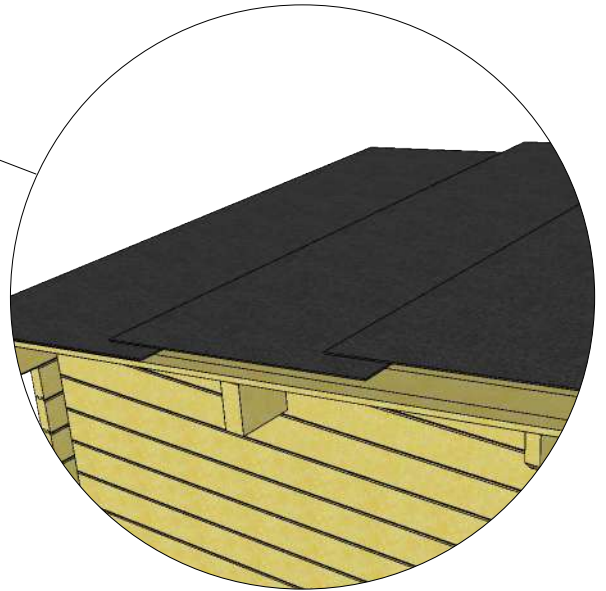
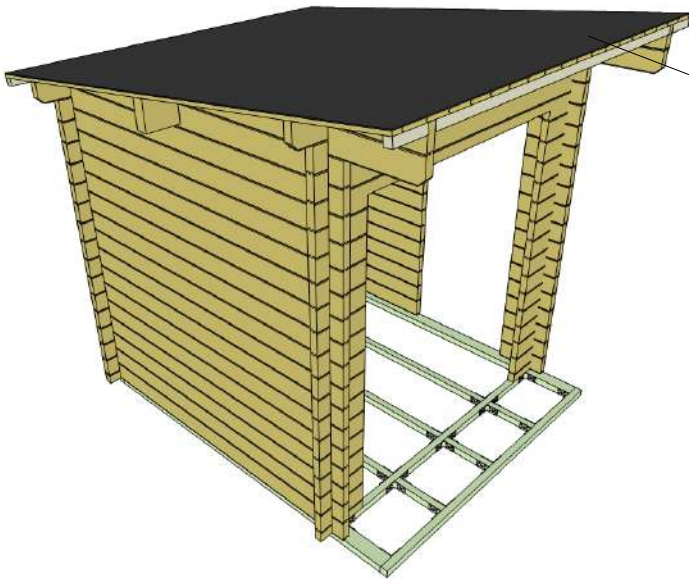
- Cut the last roof board to the correct width. The edge must be aligned with the wall plank and the purlins.



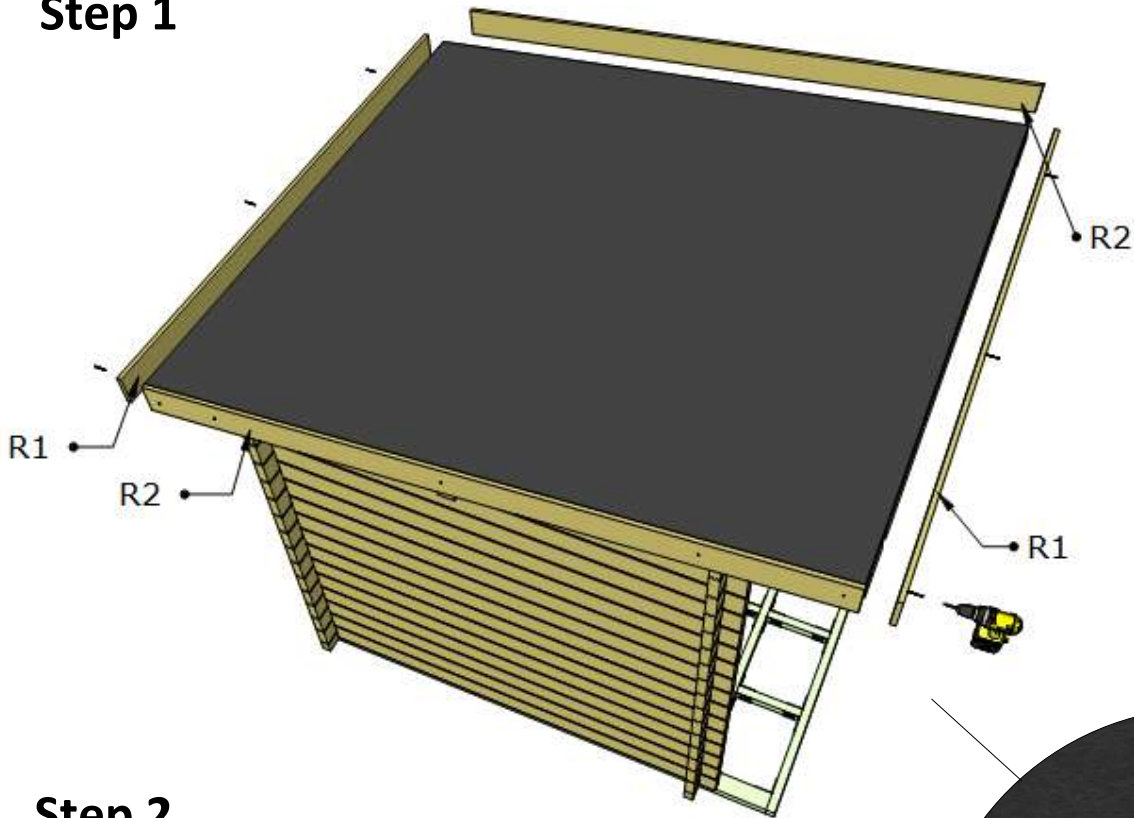
- Cut correct lengths and fasten frontboards fixing with screws.



- Install roof shingles, use small nails.

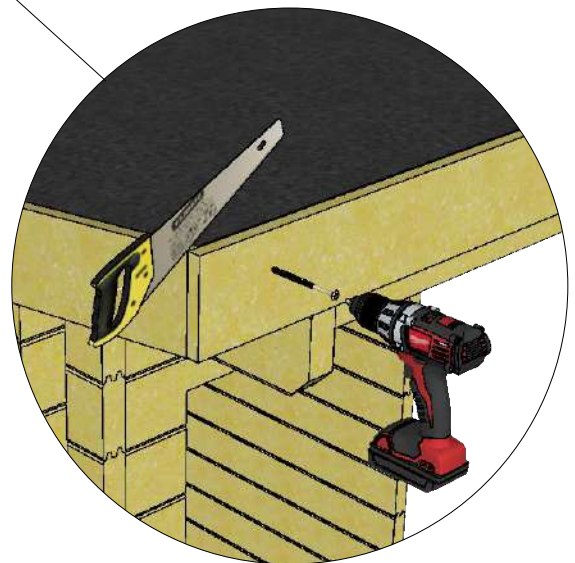


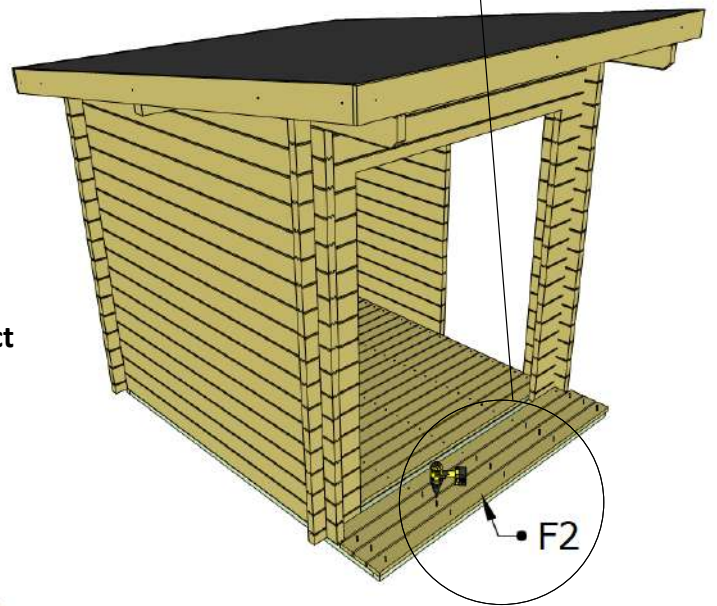
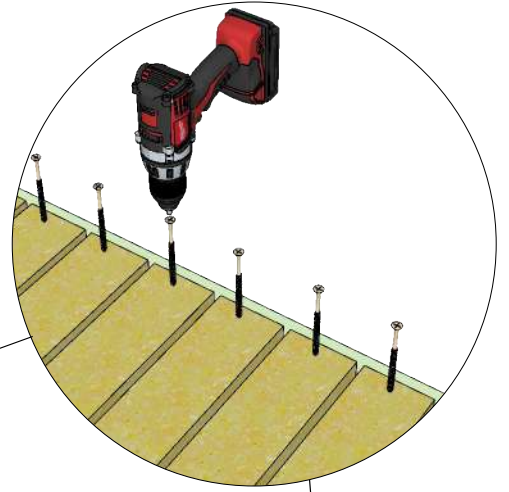
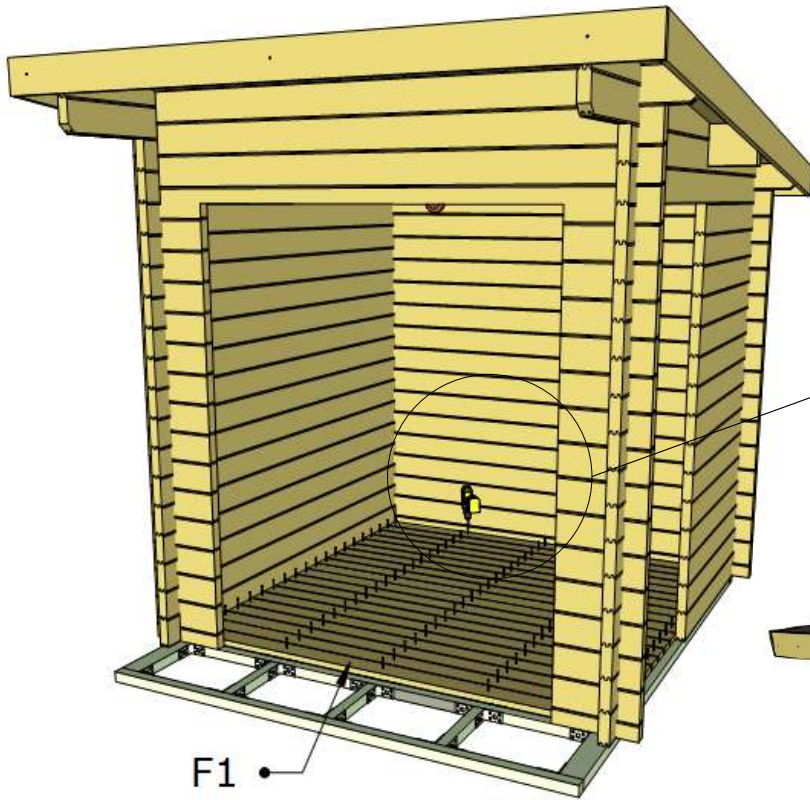
Step 1



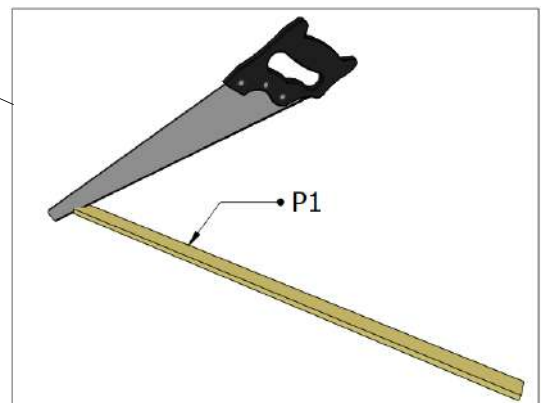
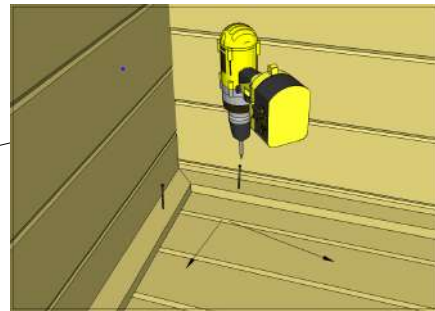
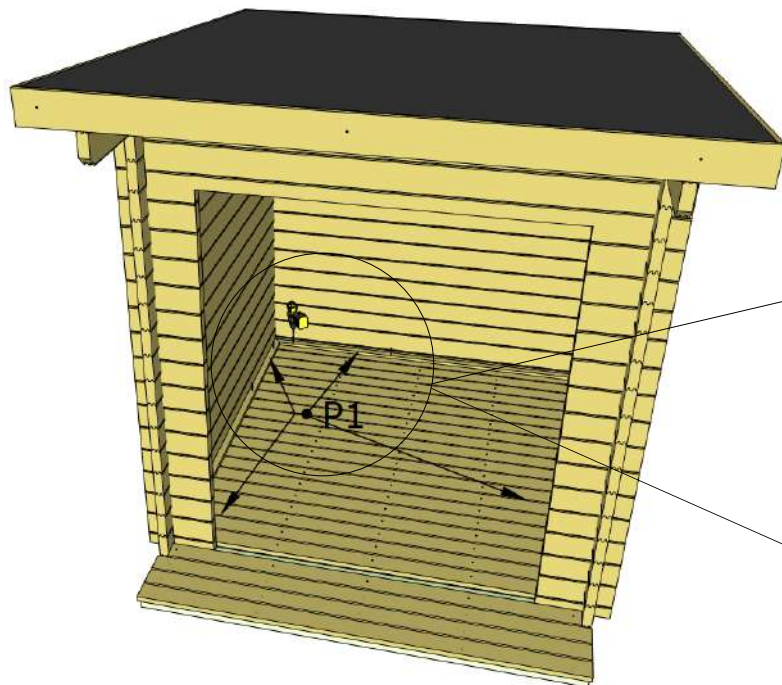
Step 2

- Fasten the frontboard with screws.
- Cut the correct angle and fasten gableboards with screws.





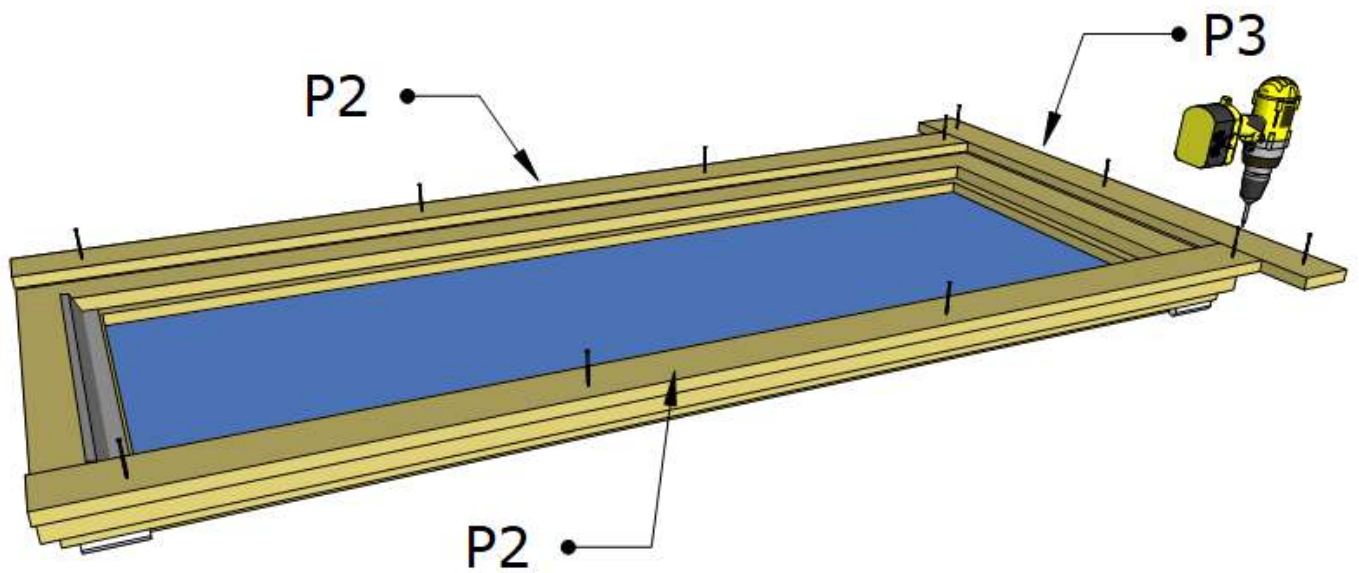
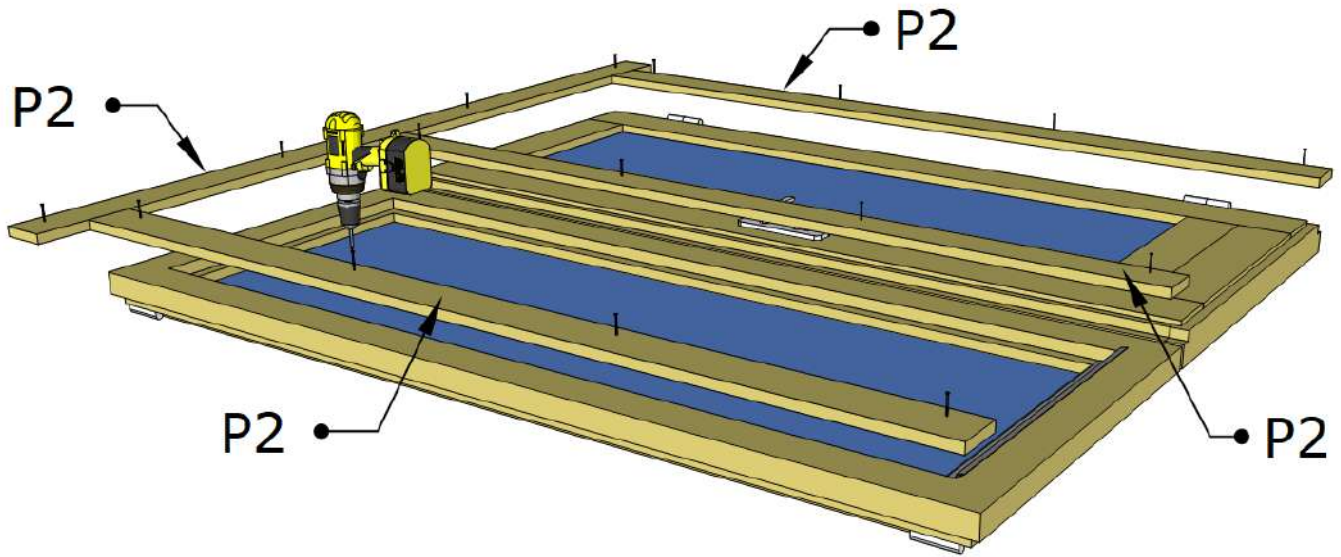
- Fasten the floor / terrace boards with screws.
- Cut the final floor/ terrace board to the correct width.

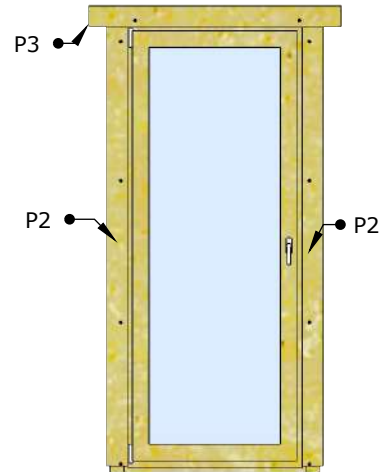
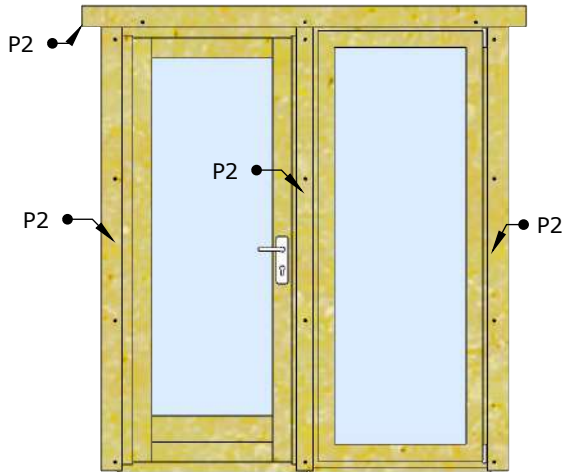
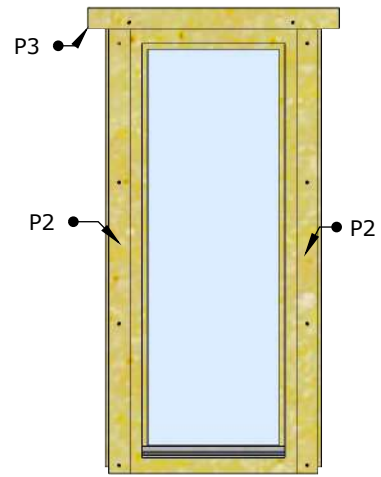
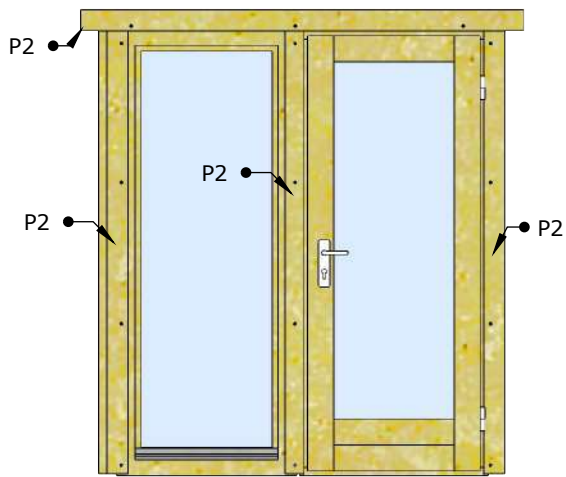


- Cut the floor stripes on right angle and size, then install with screws.

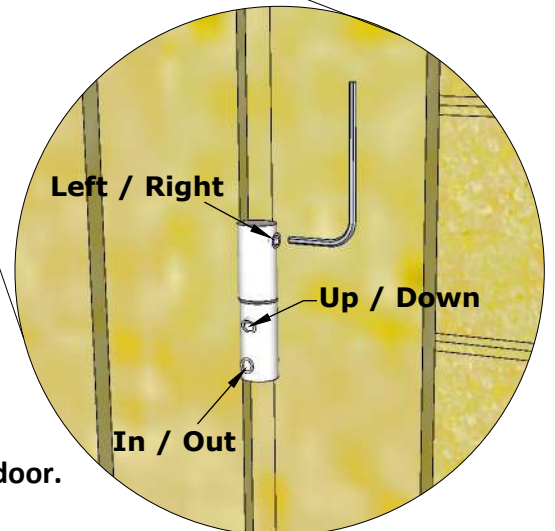
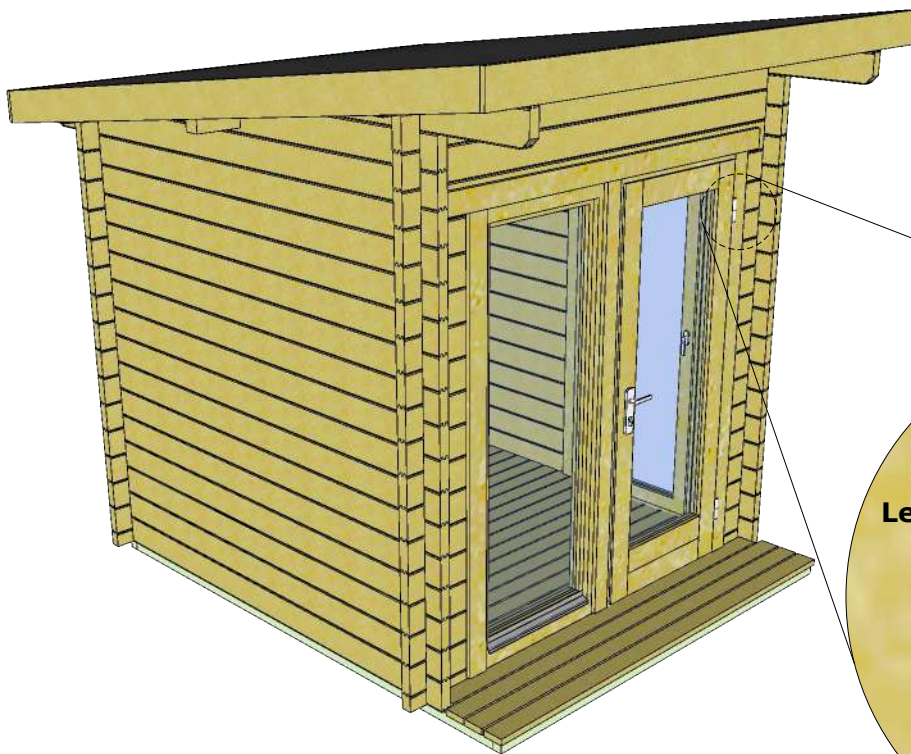
1 1 Floor / Terrace boards / Floor stripes

- Slats can only be screwed to the door and window frame and not to the wall.

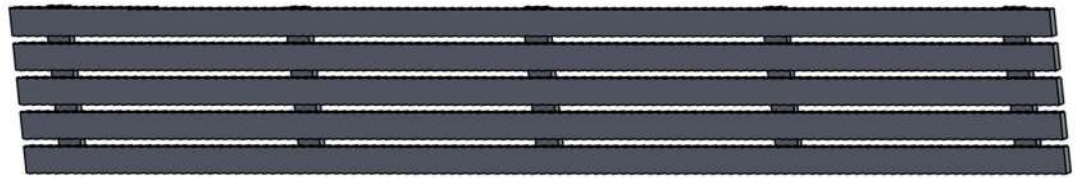




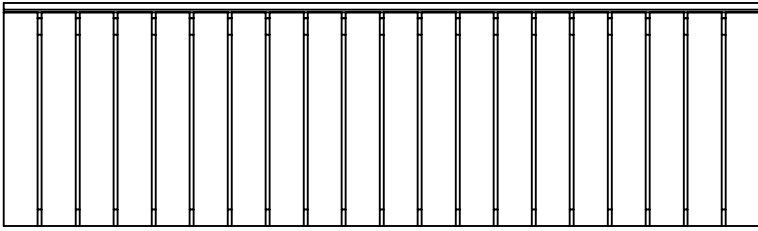
- To fix the door and windows to the house use only slats.
- Slats can only be screwed to the door and window frame and not to the wall.



- Adjust the door.

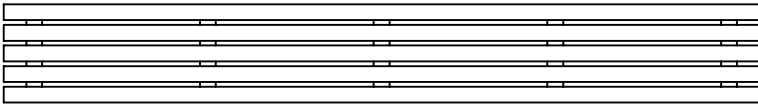


Element 1



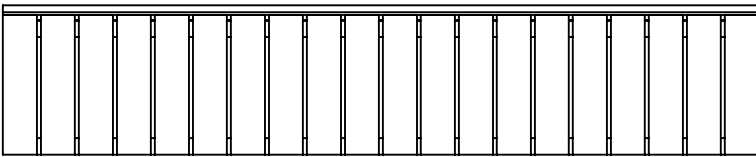
X 1

Element 3



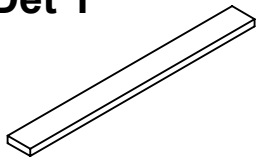
X 2

Element 2



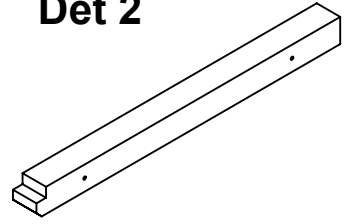
X 1

Det 1



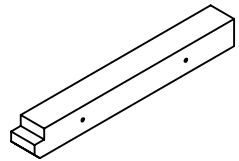
X 3

Det 2



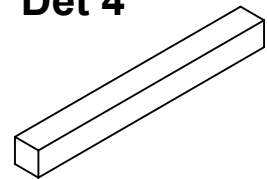
X 2

Det 3



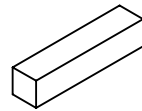
X 2

Det 4

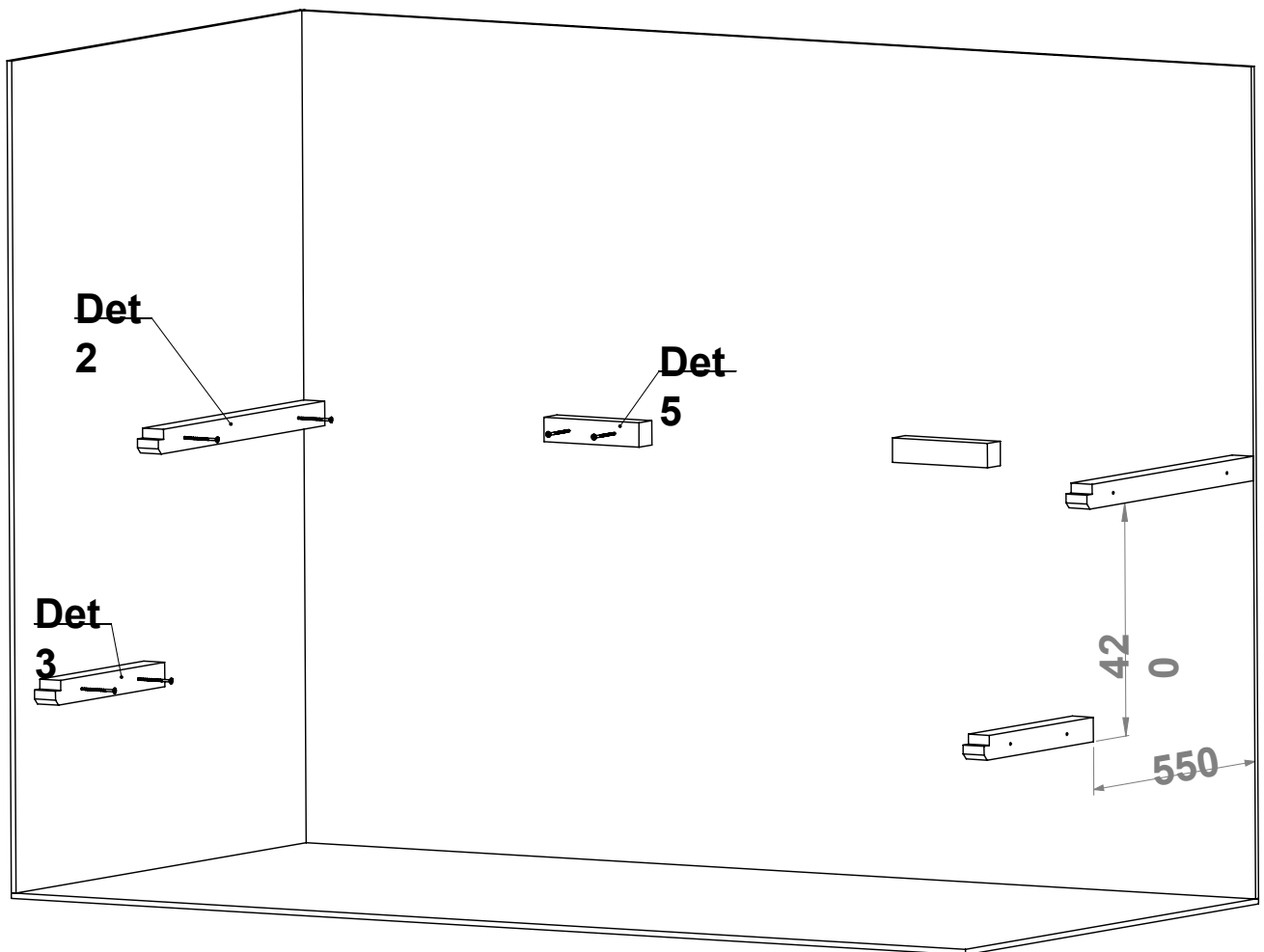
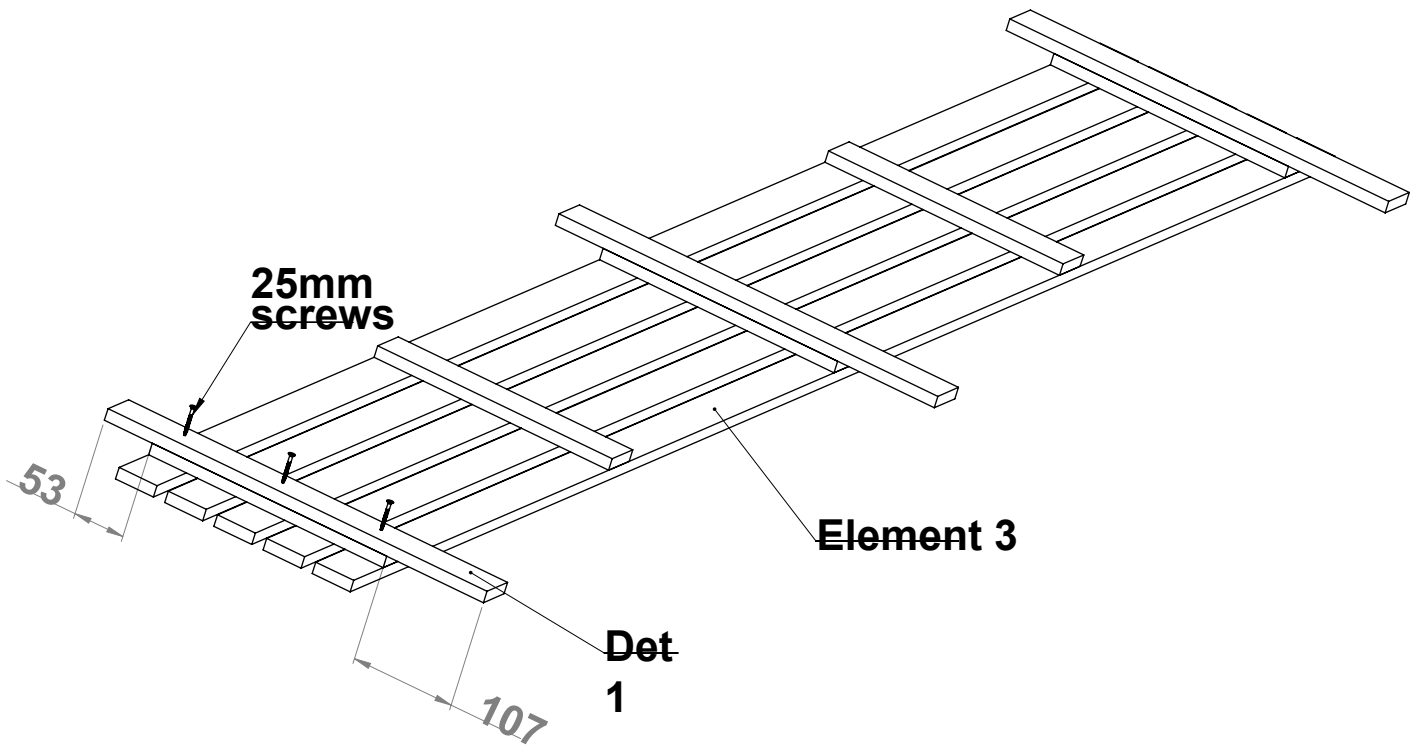


X 1

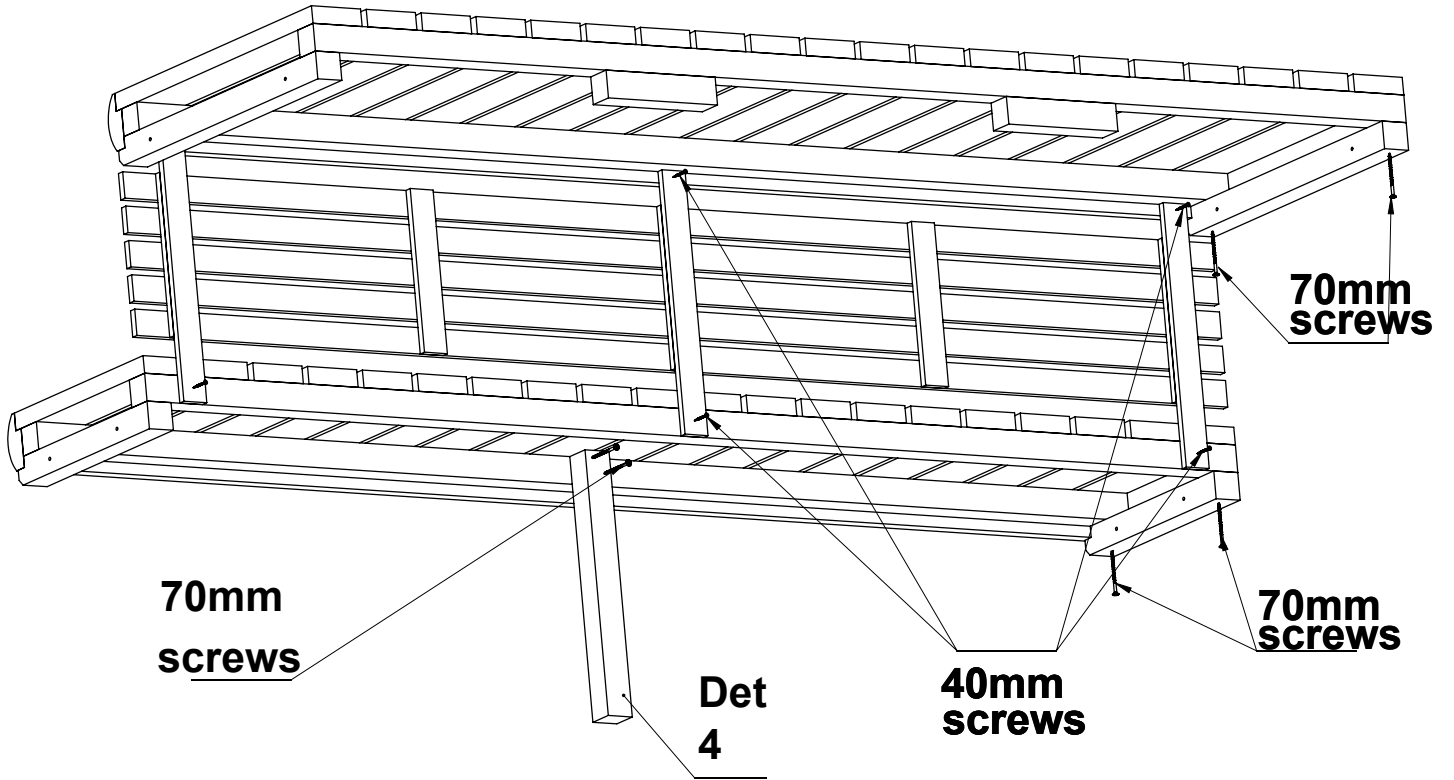
Det 5



X 2



NB Drill the pilot holes
for the screws



**Connect element 3
to the wall**

