

# The iiNook Bed

---

Assembly Instructions

## Introduction

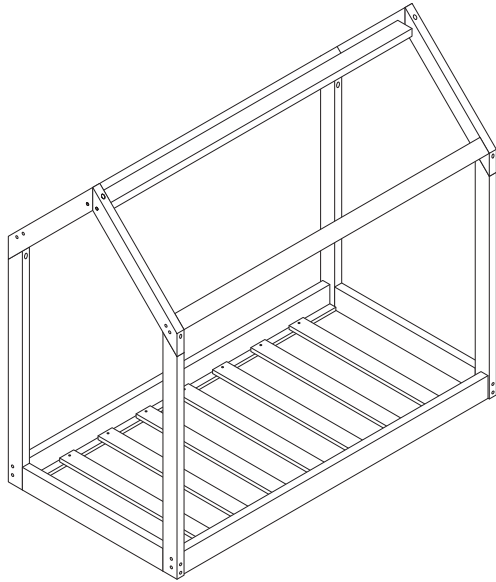
---

Our authentic Montessori floor beds are designed with your child in mind. The durable “house” structure gives your child a safe place to rest. It’s their own special nook, where they can sleep, dream, and play, then freely explore the (child-proofed) room.

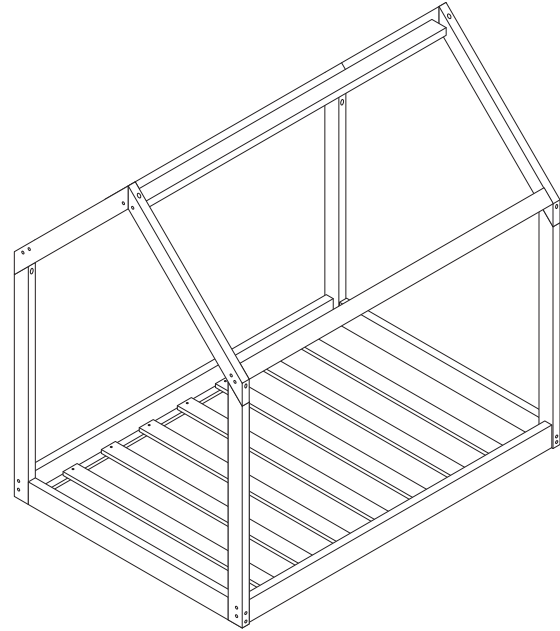
## The Assembled Beds

---

These instructions demonstrate the assembly of twin bed.



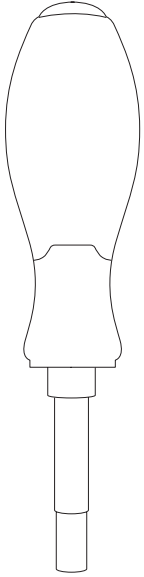
Twin



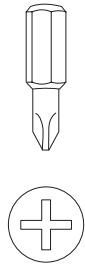
Full

## Tools Included

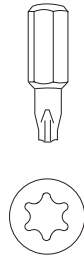
---



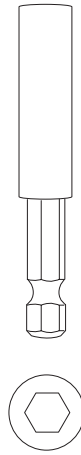
1 x  
Multi-use  
Screwdriver



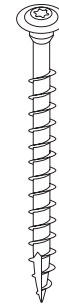
1 x  
Philips  
Bit



1 x  
T-25 Driver  
Bit



1 x  
Extended  
Bit



40 x  
Frame Screws  
#10 x 3-1/8"



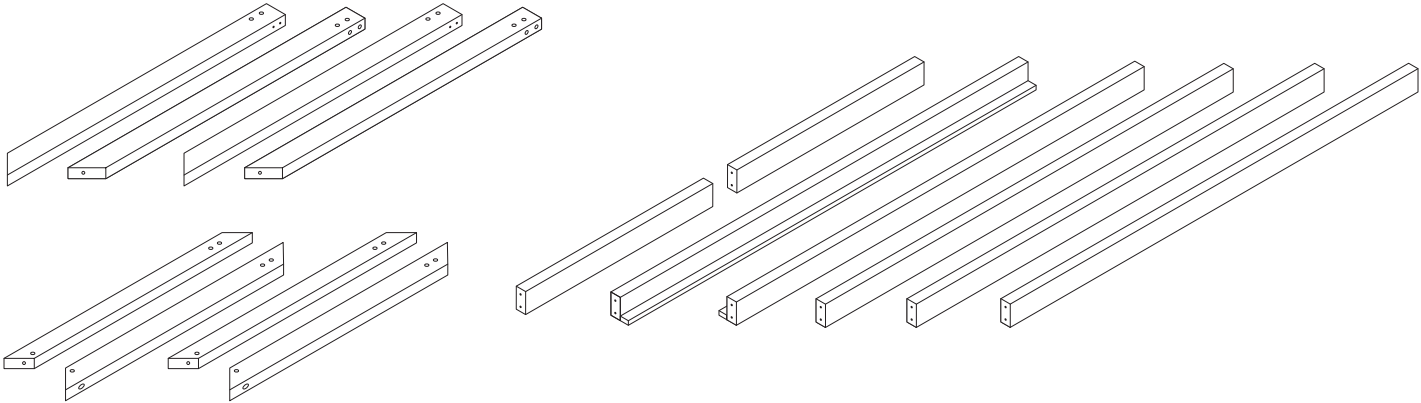
14 x  
Slat Screws  
#6 x 1-1/4"

## Step 1

---

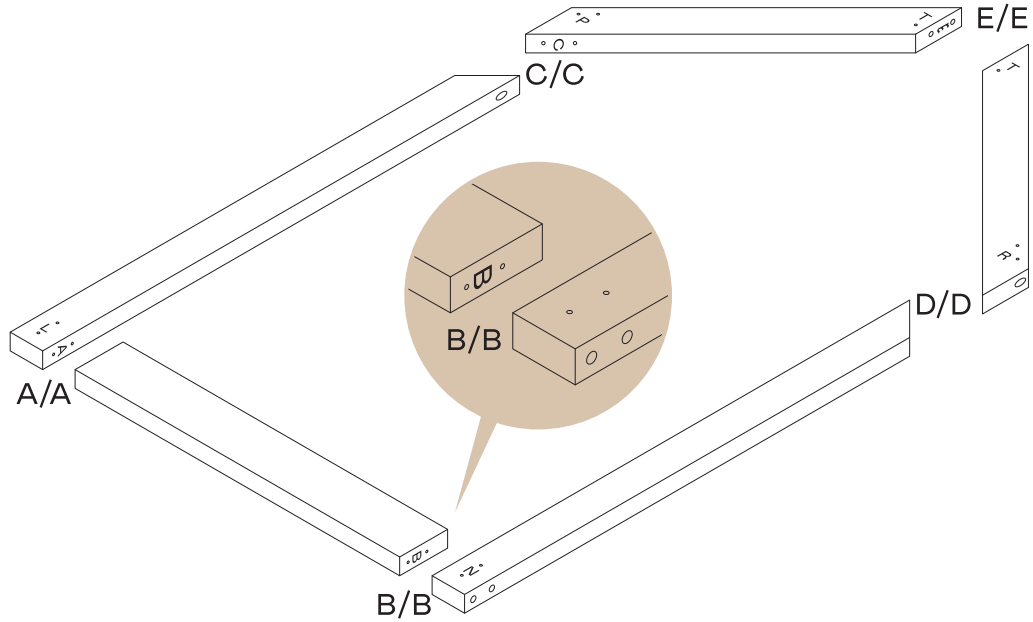
Layout pieces.

You should have fifteen (15) pieces for the frame.



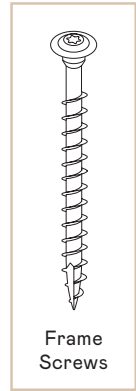
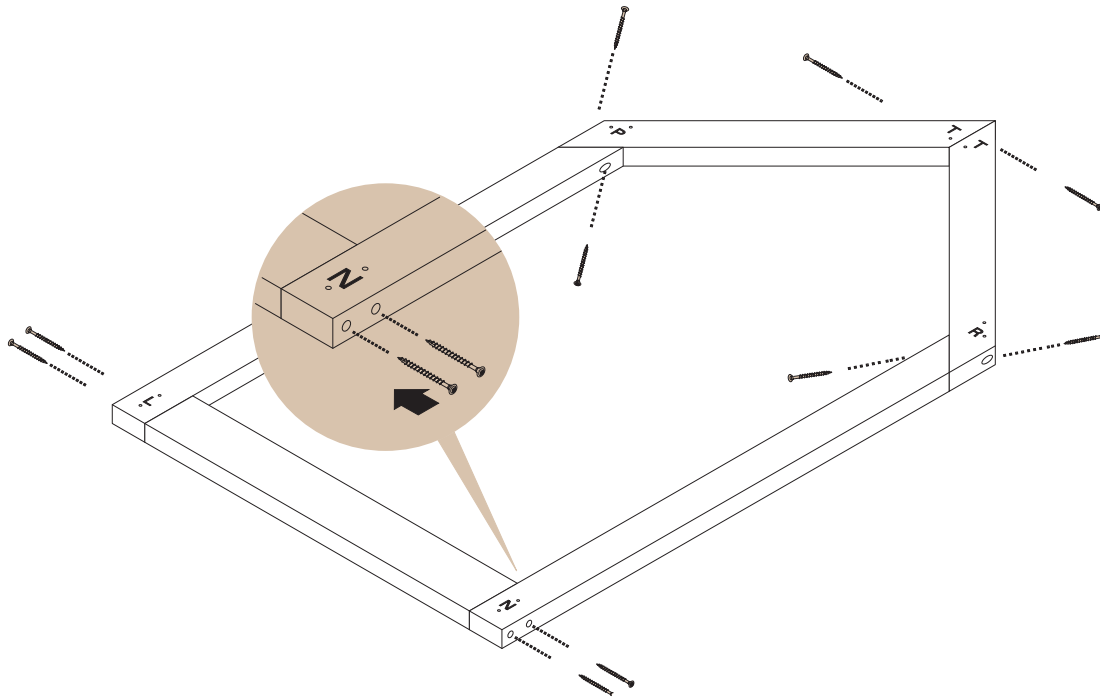
## Step 2

Align pieces as shown.  
Each piece is lettered so match letter to letter.



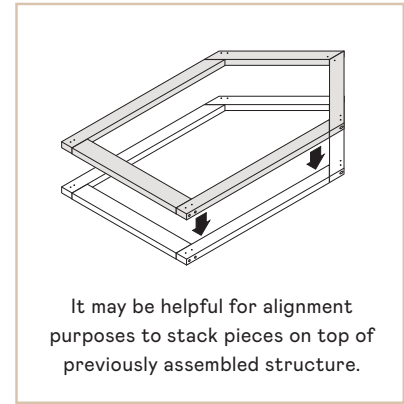
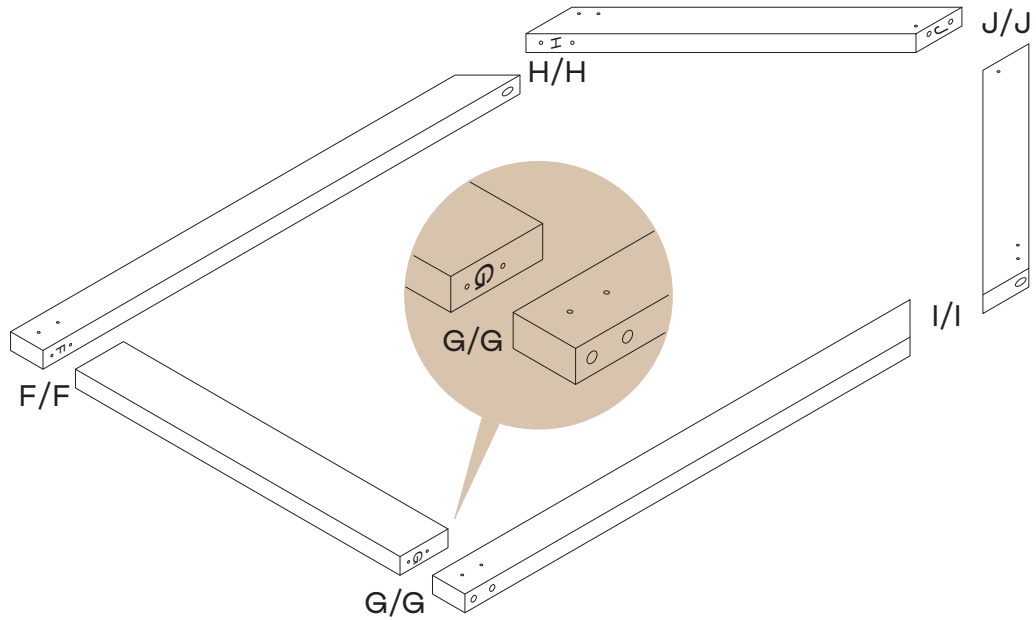
### Step 3

---



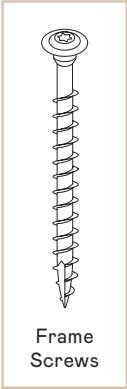
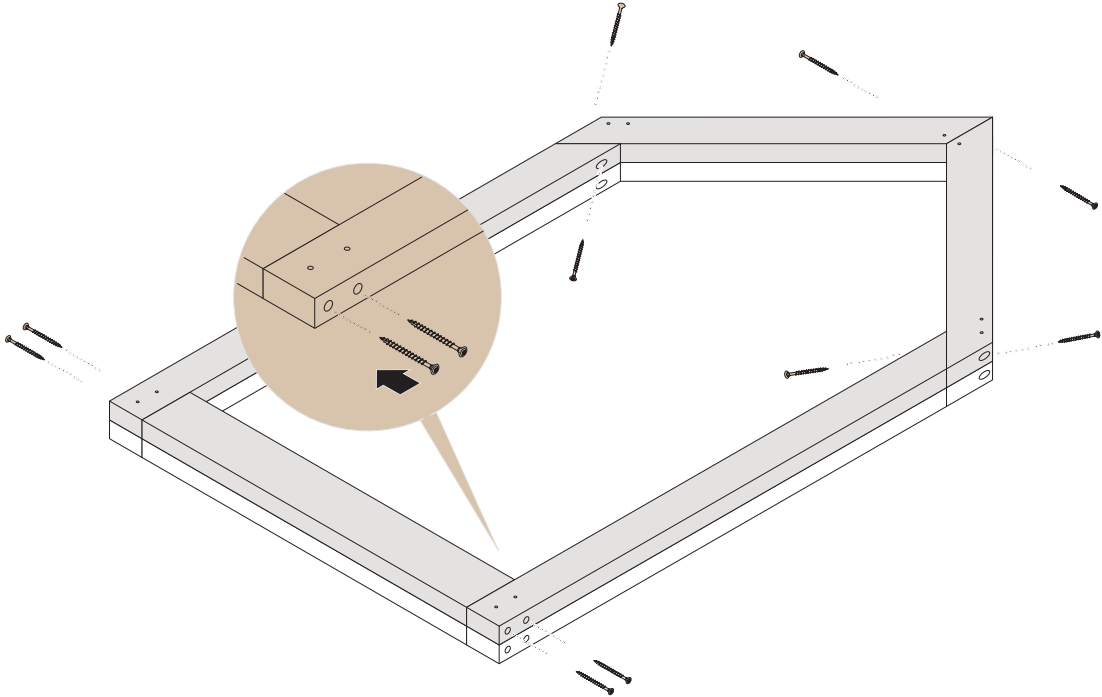
## Step 4

---



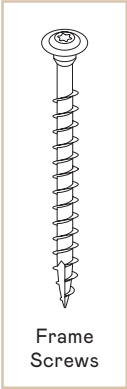
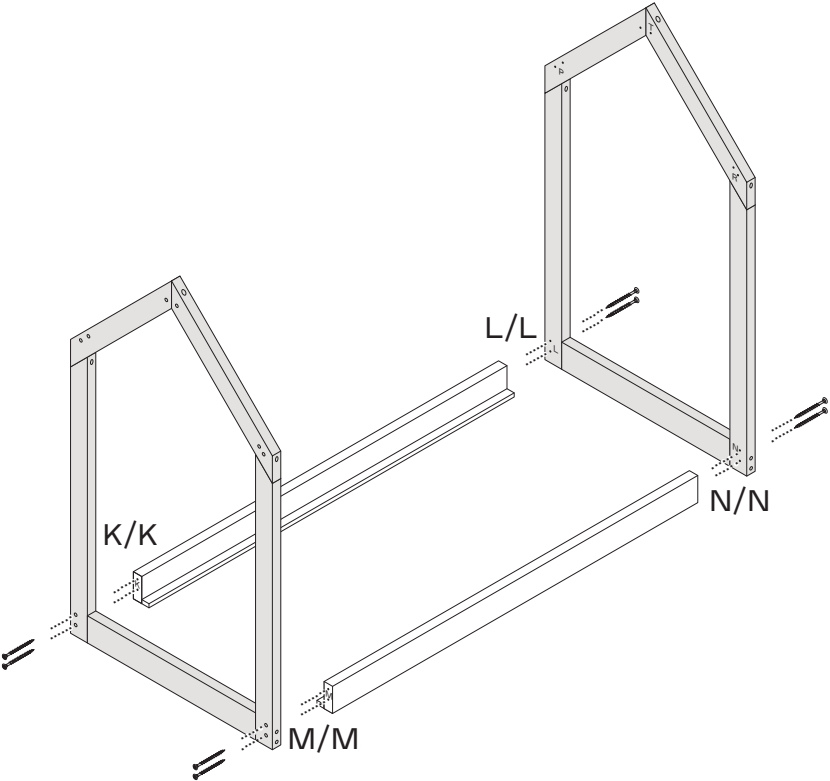


Step 5



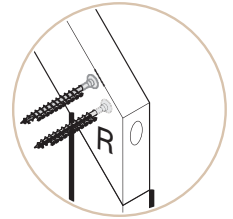
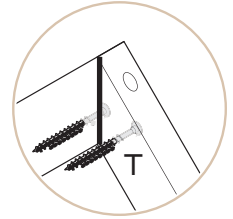
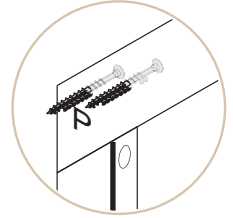
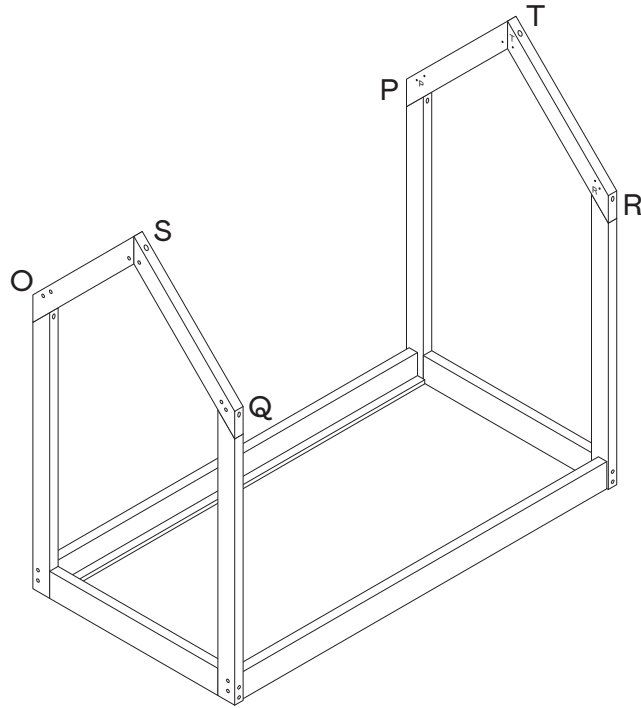
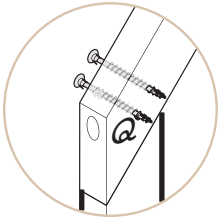
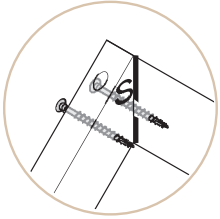
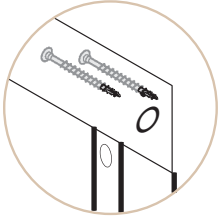
Frame  
Screws

# Step 6



## Step 7

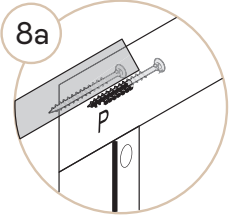
---



## Step 8

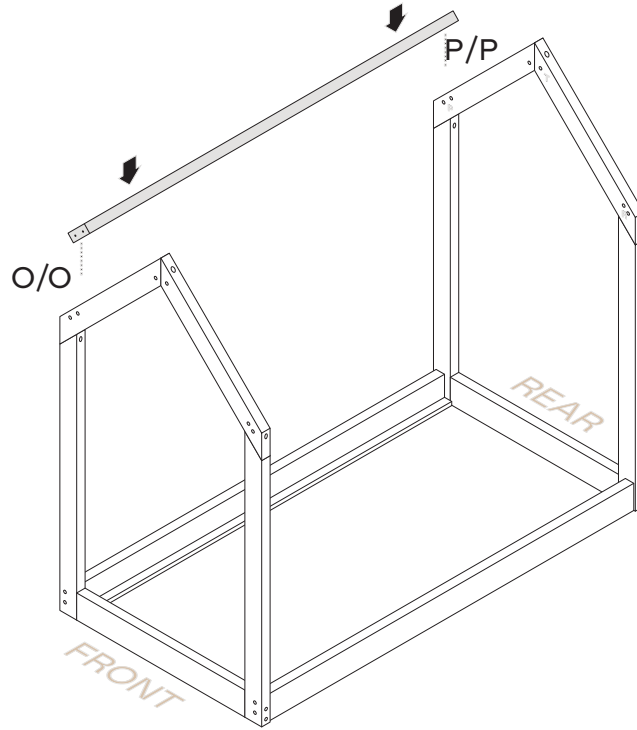
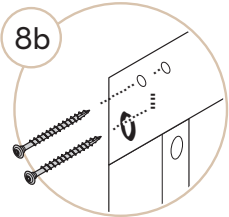
---

P/P

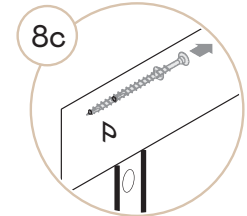


Note: Rest piece on the screws located at the rear of unit.

O/O

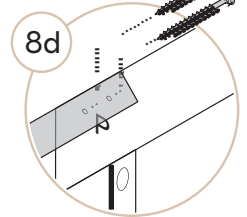


P/P



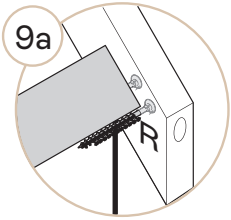
Note: Back off screws as shown.

P/P



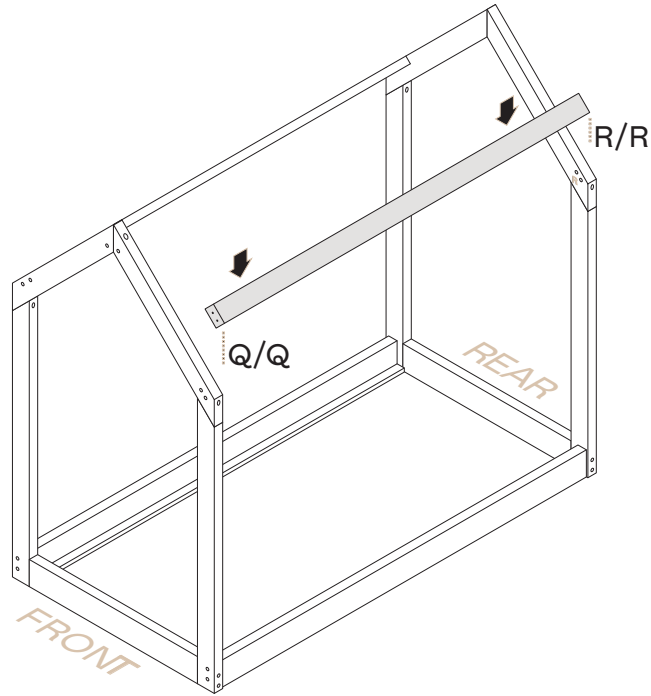
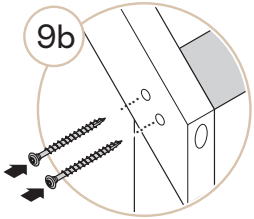
## Step 9

R/R

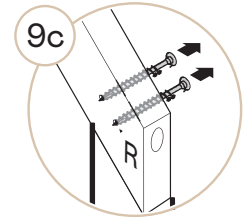


Note: Rest piece on the screws located at the rear of unit.

Q/Q

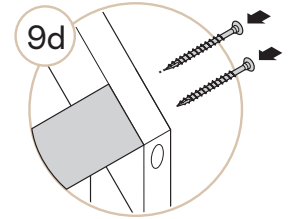


R/R



Note: Back off screws as shown.

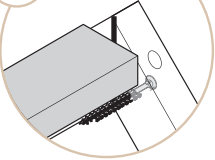
R/R



## Step 10

T/T

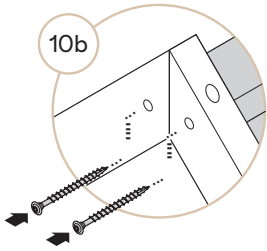
10a



Note: Rest piece on the screw located at the rear of unit.

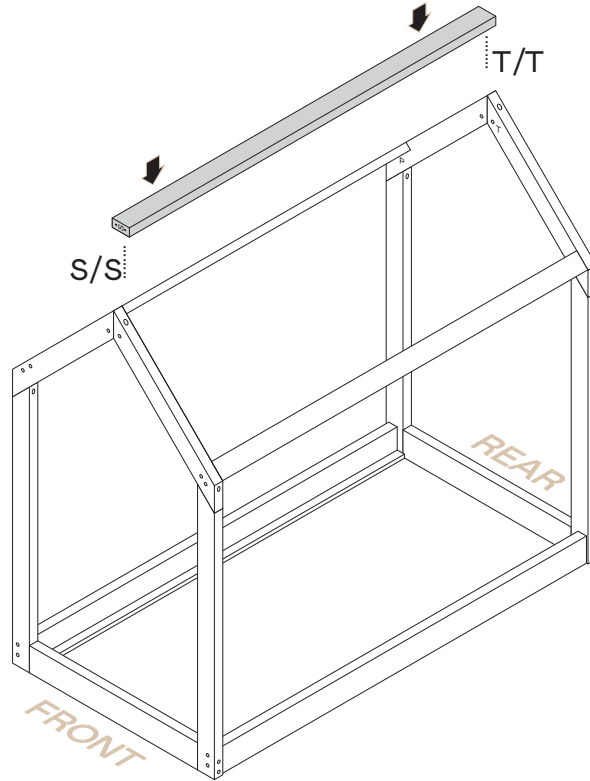
S/S

10b



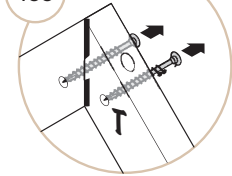
T/

S/S



T/T

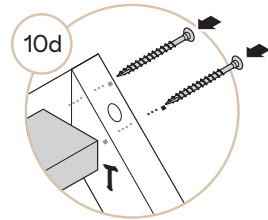
10c



Note: Back off screw as shown.

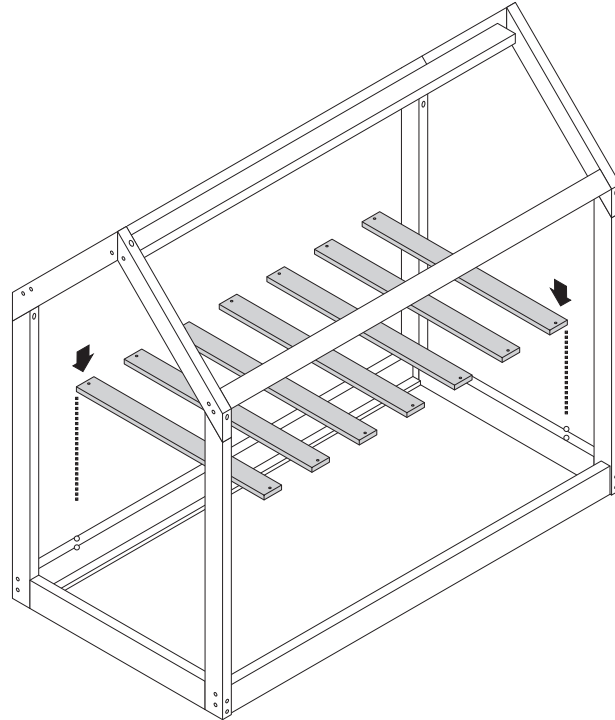
T/T

10d



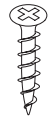
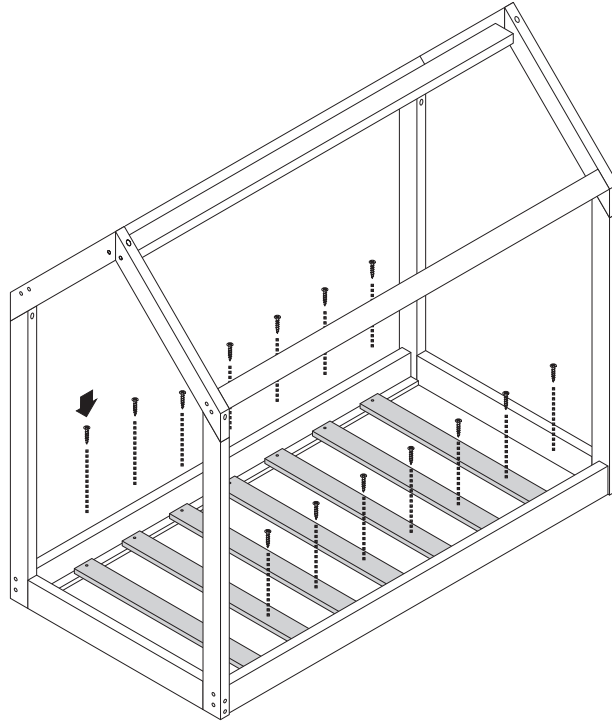
## Step 11

---



## Step 12

---



Slat  
Screws



Questions?

---

[iinook.com/help](https://iinook.com/help)

[support@iinook.com](mailto:support@iinook.com)

+1 866-387-2132



iiNOOK