



Hose Reels

A Complete Family of High Quality Reels



PROVEN QUALITY. LEADING TECHNOLOGY.

What Makes a Good Hose Reel?

Durability, performance and value built into every one of our new hose reels.

A robust frame, hose length and size are important, but the spring, latch and swivel are really the core of a hose reel. Our new spring design makes it easy to pull down—especially those last 10 feet, and a spring latch that retracts the hose so you don't have to fight to get it to operate. Plus, a durable full-flow swivel to maximize material flow with minimal pressure drop. See for yourself why Graco hose reels out-perform the competition.



Single or Dual Pedestal Options

Heavy-duty, high-strength steel construction with rolled edges and ribbed stress points for more strength than ever before

Improved High-Demand Spring

Long-life spring extends and retracts with constant force to reduce user fatigue

Full-Flow Swivel

Maximize material flow with minimal pressure drop

Spring Adjustment

Increase or decrease spring tension while reel is pressurized with fluid (LD Enclosed and XD models)

Larger Hose Capacity with Smaller Profile

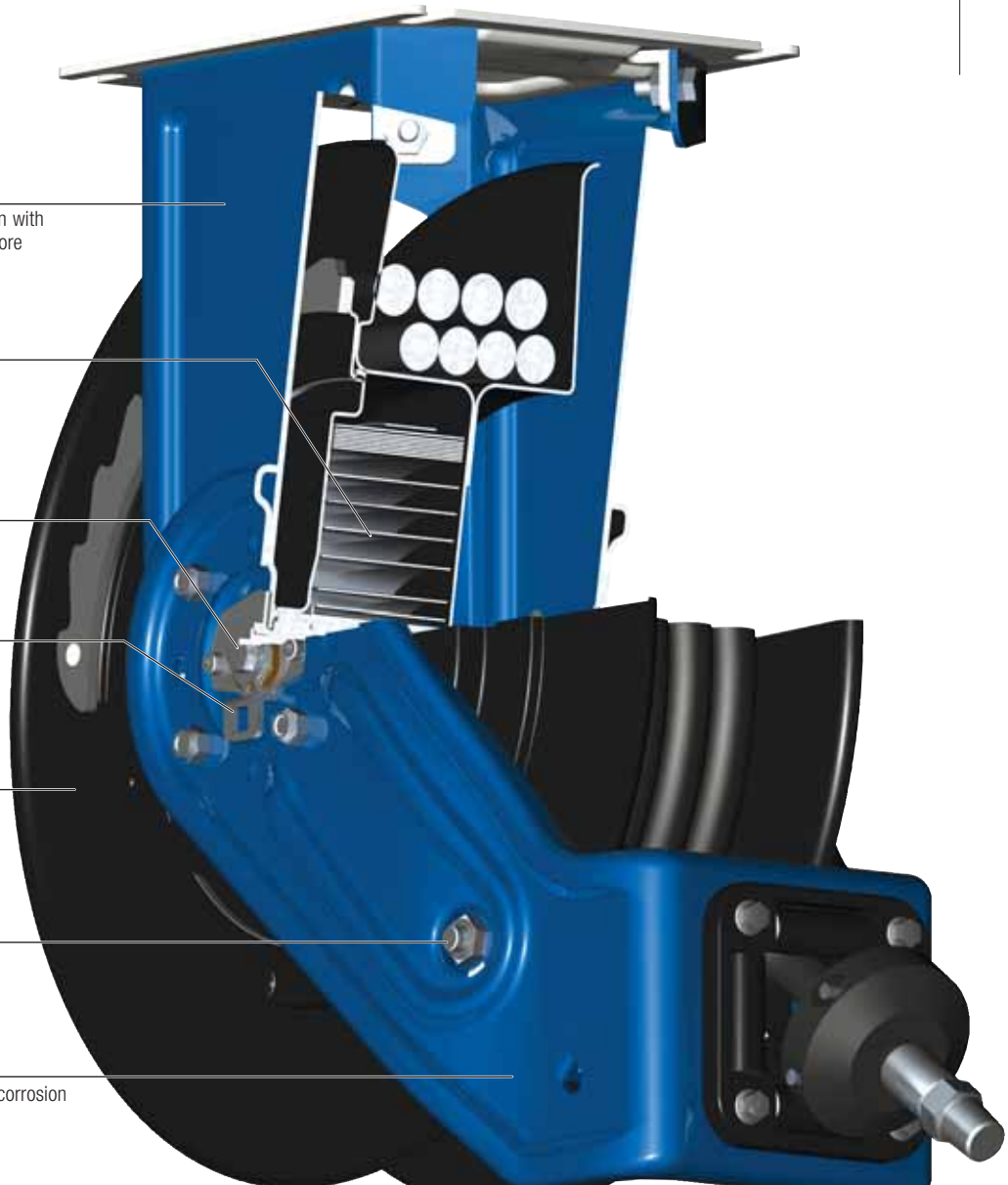
Compact pedestal and spool fits into tight spaces and can accommodate 35-65 foot (10-20 meters) hose capacity for a wide variety of applications

Improved Latch Design

No more frustrating lock-out at full hose extension

Durable Finish in More Colors

Baked-on enamel finish protects reel from corrosion for longer life—now available in six colors



XD model shown

Standard color: metallic blue.

Additional five colors available. Consult factory for lead times.



Three New Families of Hose Reels

LD Series



Entry level enclosed hose reels designed for light-duty applications

- Easy, Quick Installation
- Flexible Mounting Options
- Indoor Use

Markets

- Small Maintenance Shops
- Tire/Muffler Shops
- Small Fast Lubes
- Independent Repair Facilities
- Industrial Manufacturing Facilities

Frequency of use

Frame Strength

SD Series



Professional level hose reels designed for frequent, everyday use in a wide variety of applications

- Single Pedestal Frame
- Metal or Composite Spool
- Indoor and Moderate Outdoor Use
- Enclosure Available
- Compact Design Fits in Small Spaces
- Non-Sparking Ratchet

Markets

- Car Dealerships
- Light/Medium-Duty Truck Dealers
- Fleet Maintenance
- Mining Maintenance
- Public Works Garages
- Construction Vehicle Maintenance
- Light-Utility Service Trucks

Frequency of use

Frame Strength

XD Series



High performance hose reels designed for heavy-duty jobs that require high-frequency use, extra strength and durability

- Dual Pedestal Frame
- Metal Spool
- Rugged, Indoor and Outdoor Use
- Narrow Footprint
- Sealed Springs
- In-Field Spring Adjustment
- Non-Sparking Ratchet
- Sealed Roller Bearings

Markets

- Heavy-Duty Truck Dealers
- Fleet Maintenance
- Mining Maintenance
- Public Works Garages
- Construction Vehicle Maintenance
- Heavy-Duty Mobile Service Trucks

Frequency of use

Frame Strength

**BUILT
GRACO TOUGH**

Simple to Install—Mounts in Minutes!

LD Enclosed

Hose Reels

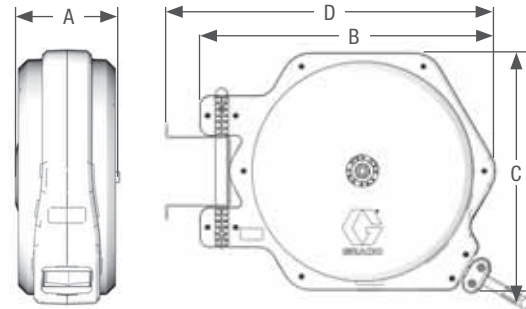


Features

- Designed for light-duty applications
- Enclosed for safety and protection, extends hose life
- Flexible mounting options—hang on wall or ceiling; bench, table or tank top-mount options available
- Full-flow swivel maximizes fluid flow with minimal pressure drop
- Easy spring tension adjustment—increase or decrease pressure spring tension while reel is pressurized

Dimensions

LD SERIES	
A	7.1 in (180 mm)
B	23.0 in (585 mm)
C	18.5 in (470 mm)
D	25.6 in (650 mm)



Enclosed hose reel comes with ceiling/wall mounting swivel bracket. Required inlet hose kit sold separately.

Ordering Information

Technical Specifications

APPLICATION	MODEL NUMBERS	PRESSURE Psi (bar)	HOSE ID x Length	CONNECTION SIZE Inlet bspt(m) x Outlet bspt(m)	OPERATING TEMP.	WETTED PARTS	WEIGHT
Air Only	HEL13D	250 (17.2)	6 mm x 11 m / 1/4 in x 35 ft	1/2 in x 1/4 in	14–140 °F (-10–60 °C)	Aluminum, Buna-N, Rubber, PVC	9 kg (19.8 lb)
	HEL15D	250 (17.2)	6 mm x 15 m / 1/4 in x 50 ft				9.5 kg (21 lb)
Air/Water	HEL23D	250 (17.2)	10 mm x 11 m / 3/8 in x 35 ft	1/2 in x 3/8 in	0–140 °F (-17–60 °C)	Aluminum, Buna-N, Rubber	10.4 kg (23 lb)
	HEL25D	250 (17.2)	10 mm x 15 m / 3/8 in x 50 ft	1/2 in x 3/8 in			11 kg (24.25 lb)
	HEL33D	250 (17.2)	12 mm x 11 m / 1/2 in x 35 ft	1/2 in x 1/2 in			10.5 kg (23.1 lb)
	HEL34D	250 (17.2)	12 mm x 14 m / 1/2 in x 45 ft	1/2 in x 1/2 in			11 kg (24.25 lb)
Petroleum– and Synthetic–based Oils	HEM23D	1800 (124)	10 mm x 11 m / 3/8 in x 35 ft	1/2 in x 3/8 in		Carbon Steel, Buna-N, Rubber, UHMWPE	11.4 kg (25.1 lb)
	HEM33D	1800 (124)	12 mm x 11 m / 1/2 in x 35 ft	1/2 in x 1/2 in			14 kg (38.8 lb)
Grease	HEH13D	5000 (345)	6 mm x 11 m / 1/4 in x 35 ft	3/8 in x 1/4 in			13.2 kg (29.1 lb)

Instruction Manual = 313938

LD Enclosed Hose Reel Packages

PACKAGE NUMBER	LD ENCLOSED REEL	HOSE INLET KIT	VALVE/METER
24D197	HEM33D	24C538	256215, LDM5 Rigid with trigger guard
24D198	HEM33D	24C538	255751, LDM5 Flex without trigger guard
24D199	HEM33D	24C538	256216, LDP5 Rigid with trigger guard
24D200	HEM33D	24C538	255277, LDP5 Flex without trigger guard

Professional Performance at an Entry-Level Price

SD Composite Spool

Hose Reels



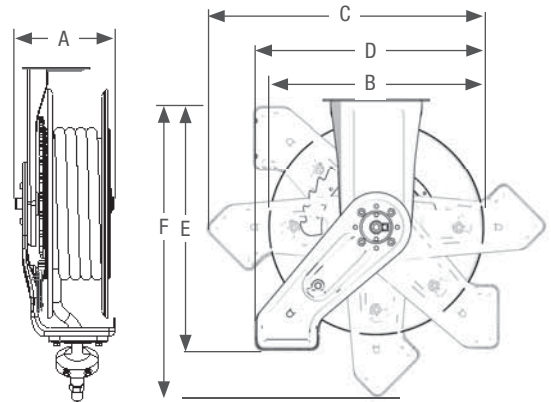
Single pedestal with composite spool. Inlet Hose Kit sold separately.

Features

- Designed for standard-duty applications such as small service garages and repair shops
- Structurally reinforced frame doesn't flex when handling hose
- Guide arm position easily changes for mounting on bench, ceiling or wall
- Enamel finish protects the reel from the environment
- Lightweight composite spool made from high strength resins resists dents and corrosion
- Compact design easily fits inside tool bench or cabinet
- Enclosure kits available—ideal when appearance and protection is important
- Available in six colors. Metallic blue is standard.

Dimensions

LD SERIES	
A	7.0 in (177 mm)
B	18.1 in (460 mm)
C	23.4 in (594 mm)
D	19.2 in (488 mm)
E	21.8 in (554 mm)
F	25.2 in (640 mm)



Ordering Information

Technical Specifications

APPLICATION	MODEL NUMBERS BY COLOR						PRESSURE	HOSE		CONNECTION SIZE	
	Metallic Blue	White	Red	Black	Dark Blue	Yellow		Psi (bar)	ID in	Length ft (m)	Inlet npsm(m)
Air, Water, Anti-freeze, Windshield Washer Fluid	SIZE 20	HRL56B	HRL56A	HRL56C	HRL56D	HRL56E	300 (20.7)	3/8	65 (20)	1/2	3/8 npt(m)
		HRL65B	HRL65A	HRL65C	HRL65D	HRL65E		1/2	50 (15)		1/2 npt(m)
Petroleum- and Synthetic-based Oils	SIZE 20	HRM65B	HRM65A	HRM65C	HRM65D	HRM65E	2,000 (138)	1/2	50 (15)	1/2	1/2 npt(m)
Grease		HRH55B	HRH55A	HRH55C	HRH55D	HRH55E	HRH55F	4,000 (276)	3/8	50 (15)	3/8

Maximum dry weight with hose: 44 lbs (20 kg)

Operating Temp: Air, Water, Anti-Freeze, Windshield Washer Fluid and Oil = -20–190 °F (-28–87 °C), Grease = -40–200 °F (-40–93 °C)

Wetted parts—bare hose reel only: zinc plated steel, anodized aluminum, nitrile rubber.

Instruction Manual = 313431

SD Hose Reel Packages with Enclosure Kit

SD PACKAGES	HOSE REEL	HOSE INLET KIT	WHITE ENCLOSURE	DISPENSE VALVE
24B812	HRL56B	218549	24A218	—
24B813	HRL56B	218549	24A218	218545
24B814	HRL56B	218549	24A218	180685/150287
24B815	HRM65B	218549	24A218	—
24B816	HRH55B	218550	24A218	—

Everyday Workhorse—Metal Spool for Extra Durability

Hose Reels

SD Steel Spool



Single pedestal with metal spool. Inlet Hose Kit sold separately.

Features

- Designed for daily use applications such as dealerships, fleet service and maintenance facilities
- Structurally engineered frame made from high strength steel won't bend or flex
- Long-lasting spring provides constant spring torque through the entire range of motion
- Flexible positioning of guide arm for mounting on bench or ceiling, wall or utility truck
- Steel spool for demanding applications
- Open swivel ports ensure high fluid flow with minimal pressure loss
- Enclosure kits available—ideal when appearance and protection is important
- Available in six colors. Metallic blue is standard.

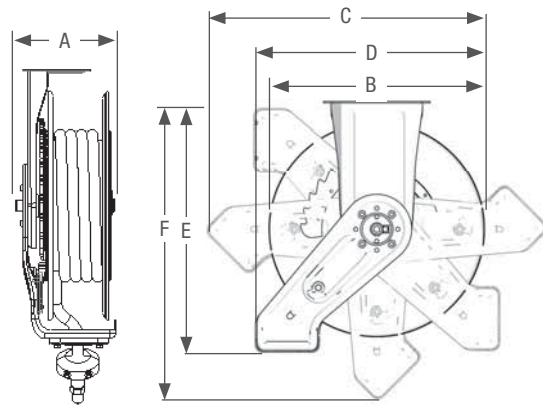
Dimensions

SD SERIES SIZE 10

A	7.0 in (177 mm)
B	16.2 in (412 mm)
C	21.0 in (533 mm)
D	17.1 in (435 mm)
E	19.5 in (495 mm)
F	22.5 in (571 mm)

SD SERIES SIZE 20

A	7.0 in (177 mm)
B	18.1 in (460 mm)
C	23.4 in (594 mm)
D	19.2 in (488 mm)
E	21.8 in (554 mm)
F	25.2 in (640 mm)



SD Series

Ordering Information

Technical Specifications

APPLICATION	MODEL NUMBERS BY COLOR						PRESSURE	HOSE		CONNECTION SIZE		
	Metallic Blue	White	Red	Black	Dark Blue	Yellow	Psi (bar)	ID in	Length ft (m)	Inlet in	Outlet in	
Air, Water, Anti-freeze, Windshield Washer Fluid	SIZE 10	HPL23B	HPL23A	HPL23C	HPL23D	HPL23E	300 (20.7)	3/8	35 (11)	1/2 npsm(m)	3/8 npt(m)	
		HPL25B	HPL25A	HPL25C	HPL25D	HPL25E			HPL25F			50 (15)
		HPL33B	HPL33A	HPL33C	HPL33D	HPL33E		HPL33F	1/2			35 (11)
	SIZE 20	HPL56B	HPL56A	HPL56C	HPL56D	HPL56E		HPL56F	3/8			65 (20)
		HPL65B	HPL65A	HPL65C	HPL65D	HPL65E		HPL65F	1/2			50 (15)
Petroleum- and Synthetic-based Oils	SIZE 10	HPM33B	HPM33A	HPM33C	HPM33D	HPM33E	2,000 (138)	1/2	35 (11)	1/2 npsm(m)	1/2 npt(m)	
		HPM33B*	HPM33A*	HPM33C*	HPM33D*	HPM33E*					HPM33F*	1/2 npsm(f)
	SIZE 20	HPM65B	HPM65A	HPM65C	HPM65D	HPM65E			HPM65F		50 (15)	1/2 npt(m)
		HPM65B*	HPM65A*	HPM65C*	HPM65D*	HPM65E*			HPM65F*			1/2 npsm(f)
Grease	SIZE 10	HPH15B	HPH15A	HPH15C	HPH15D	HPH15E	5,000 (345)	3/8	50 (15)	3/8 npsm(m)	1/4 npt(m)	
		HPH23B	HPH23A	HPH23C	HPH23D	HPH23E	4,000 (276)				35 (11)	3/8 npt(f)
		HPH1DB*	HPH1DA*	HPH1DC*	HPH1DD*	HPH1DE*	HPH1DF*					5,000 (345)
	SIZE 20	HPH55B	HPH55A	HPH55C	HPH55D	HPH55E	HPH55F		4,000 (276)		50 (15)	1/4 npt(m)
		HPH55B*	HPH55A*	HPH55C*	HPH55D*	HPH55E*	HPH55F*		5,000 (345)			3/8 npt(f)

* Bare Reel—hose sold separately

Maximum dry weight with hose: SD10 = 47 lbs (21 kg), SD20 = 52 lbs (23.6 kg)

Wetted parts—bare hose reel only: zinc plated steel, steel, nitrile rubber

Operating temperature for air, water, windshield washer fluid and oil = -20–190 °F (-28–87 °C) Operating temperature for grease = -40–200 °F (-40–93 °C)

Instruction Manual = 313431

SD Hose Reel Packages with Enclosure Kit

SD Packages	Hose Reel	Hose Inlet Kit	White Enclosure	Dispense Valve/Meter	Fitting
24D989	HPL23B	218549	24A217	–	–
24D990	HPL25B	218549	24A217	–	–
24D991	HPL33B	218549	24A217	–	–
24D992	HPL23B	218549	24A217	218545	–
24D993	HPL23B	218549	24A217	180685	150287
24D994	HPL33B	218549	24A217	180685	159842
24D995	HPM33B	218549	24A217	–	–
24D996	HPM33B	218549	24A217	255350	–
24D997	HPM33B	218549	24A217	255348	–

SD Hose Reel Packages

SD Packages	Hose Reel	Hose Inlet Kit	Enclosure	Dispense Valve/Meter	Fitting
24D998	HPL23B	218549	–	218545	–
24D999	HPL23B	218549	–	180685	150287
24E001	HPM33B	218549	–	255350	–
24E002	HPM33B	218549	–	255348	–

Extreme Performer in Three Sizes

XD Series

Hose Reels

Size 10



XD Series Features

- Designed for robust/heavy-duty applications such as mobile lube trucks or large equipment service, yet with a narrow footprint to fit more reels into small spaces
- Dual pedestal frame provides increased strength for extreme-duty applications
- Long lasting spring is sealed for protection against the weather
- Durable steel spool rides on sealed roller bearings to ensure trouble-free performance
- Available in four colors. Metallic blue is standard.
- Available with arms removed for bulkhead mounting*

* Contact your local distributor for more information

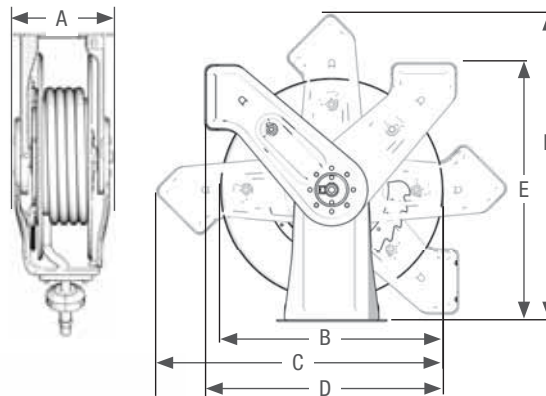
Size 20



Dimensions

XD SERIES SIZE 10	
A	7.5 in (196 mm)
B	16.2 in (412 mm)
C	21.0 in (533 mm)
D	18.0 in (457 mm)
E	18.5 in (470 mm)
F	22.5 (571 mm)

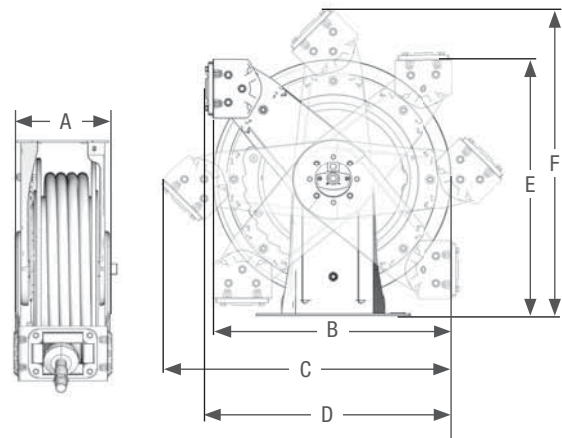
XD SERIES SIZE 20	
A	7.5 in (196 mm)
B	18.1 in (460 mm)
C	23.4 in (594 mm)
D	20.0 in (508 mm)
E	21.0 in (533 mm)
F	25.2 in (640 mm)



Size 30



XD SERIES SIZE 30	
A	9.0 in (229 mm)
B	21.50 in (546.00 mm)
C	25.96 in (659.45 mm)
D	22.12 in (561.73 mm)
E	23.10 in (588.00 mm)
F	27.60 in (700.82 mm)



XD Series

Ordering Information

Technical Specifications

APPLICATION	SIZE	PART NUMBERS BY COLOR				PRESSURE	HOSE		CONNECTION SIZE		OPERATING TEMP.		
		Metallic Blue	White	Yellow	Desert Sand	Psi (bar)	ID in	Length ft (m)	Inlet in	Outlet in			
Air, Water, Anti-freeze, Windshield Washer Fluid	SIZE 10	HSL25B	HSL25A	HSL25F	HSL25G	300 (20.7)	3/8	50 (15)	1/2 npsm(m)	3/8 npt(m)	-20–190 °F (-28–87 °C)		
		HSL33B	HSL33A	HSL33F	HSL33G	300 (20.7)	1/2	35 (11)		1/2 npt(m)			
	SIZE 20	HSL56B	HSL56A	HSL56F	HSL56G	300 (20.7)	3/8	65 (20)		3/8 npt(m)			
		HSL65B	HSL65A	HSL65F	HSL65G	300 (20.7)	1/2	50 (15)		1/2 npt(m)			
	SIZE 30	HSLC8B	HSLC8A	HSLC8F	HSLC8G	300 (20.7)		3/4		75 (23)		3/4 npsm(m)	3/4 npt(m)
		HSLD5B	HSLD5A	HSLD5F	HSLD5G	300 (20.7)	50 (15)						
Petroleum– and Synthetic–based Oils	SIZE 10	HSM33B	HSM33A	HSM33F	HSM33G	2,000 (138)	1/2	35 (11)	1/2 npsm(m)	1/2 npt(m)	-20–190 °F (-28–87 °C)		
		HSM3BB*	HSM3BA*	HSM3BF*	HSM3BG	2,000 (138)	1/2	35 (11)		1/2 npt(f)			
	SIZE 20	HSM65B	HSM65A	HSM65F	HSM65G	2,000 (138)	1/2	50 (15)		1/2 npt(m)			
		HSM6DB*	HSM6DA*	HSM6DF*	HSM6DG	2,000 (138)	1/2	50 (15)		1/2 npt(f)			
	SIZE 30**	HSMC8B	HSMC8A	HSMC8F	HSMC8G	1,500 (103)	1/2	75 (23)		1/2 npt(m)	-40–180 °F (-40–82 °C)		
		HSMCFB*	HSMCFA*	HSMCFF*	HSMCFG*	2,000 (138)	1/2	75 (23)		1/2 npsm(f)			
		HSMDD5B	HSMDD5A	HSMDD5F	HSMDD5G	1,250 (86)	3/4	50 (15)		3/4 npt(m)			
HSMDD8B	HSMDD8A	HSMDD8F	HSMDD8G	2,000 (138)	3/4	3/4 npsm(f)							
Grease	SIZE 10	HSH15B	HSH15A	HSH15F	HSH15G	5,000 (345)	1/4	50 (15)	3/8 npsm(m)	1/4 npt(m)	-40–200 °F (-40–93 °C)		
		HSH1DB*	HSH1DA*	HSH1DF*	HSH1DG*	5,000 (345)	3/8	35 (11)		3/8 npt(f)			
	SIZE 20	HSH55B	HSH55A	HSH55F	HSH55G	4,000 (276)				1/2		50 (15)	1/4 npt(m)
		HSH5DB*	HSH5DA*	HSH5DF*	HSH5DG*	5,000 (345)	3/8 npsm(f)						
	SIZE 30**	HSHC5B	HSHC5A	HSHC5F	HSHC5G	5,000 (345)	1/2	50 (15)		1/2 npsm(m)	1/2 npt(m)	-40–180 °F (-40–82 °C)	
		HSHCDB*	HSHCDA*	HSHCDF*	HSHCDG*	5,000 (345)				1/2 npsm(f)			
Pressure Wash	SIZE 30	HSPB8B	HSPB8A	HSPB8F	HSPB8G	4,000 (276)	3/8	75 (23)	1/2 npsm(m)	3/8 npt(m)	-20–225 °F (-28–107 °C)		
		HSHFFB*	HSHFFA*	HSHFFF*	HSHFFG*	4,000 (276)				3/8 npsm(f)			
Fuel/Evacuation	SIZE 30	HSLE3B	HSLE3A	HSLE3F	HSLE3G	125 (8.6)	1	30 (9)	3/4 npsm(m)	1 npt(m)	-40–120 °F (-40–49 °C)		

Maximum dry weight with hose: XD10 = 54 lbs (24.5 kg), XD20 = 59 lbs (27 kg), XD30 = 98 lbs (44.5 kg)

Wetted parts–Bare hose reel only: zinc plated steel, anodized aluminum, nitrile rubber

Instruction Manuals: XD10 and XD20: 313431, XD30: 3A0138

* Bare reel–hose sold separately

** Maximum installed height is 7 feet (2.13 meters).

SD and XD Hose Reel Accessories



Reel Enclosures

- Designed for enclosing SD single pedestal reels
- Enclosures provide protection to extend the life of hoses and bearings

ENCLOSURE KITS FOR ONE REEL	PART NUMBERS BY COLOR					
	White*	Metallic Blue	Red	Black	Dark Blue	Yellow
Size 10 Enclosure	24A217	24A940	24A941	24A942	24A943	24A944
Size 20 Enclosure	24A218	24A945	24A946	24A947	24A948	24A949
Size 10 End Caps (2)	—	—	—	24A950	—	—
Size 20 End Caps (2)	—	—	—	24A951	—	—

*White enclosures available for immediate shipment. Consult factory for lead-time for other colors.

Mounting Channels

Enclosure mounting channels accommodate one, two, three, four, five or six reels (includes all parts needed to mount hose reels to walls or ceilings)

DESCRIPTION	MOUNTING CHANNEL					
	1 Reel	2 Reels	3 Reels	4 Reels	5 Reels	6 Reels
SD10/SD20 Open	24A934	24A935	24A936	24A937	24A938	24A939
XD10/XD20 Open	24A219	24A220	24A221	—	—	24A222
SD Enclosed	203521	203522	203523	203524	203525	203526

Retrofit Adapter Kits

24A224	Includes all parts to mount hose reel to existing 500 series mounting pattern
24C100	Includes all parts to convert SD10 hose reels to fit existing 250 series enclosures

Mounting Bracket

204741	Secures mounting channel to I-beam without drilling. Two brackets are required for 1-3 hose reels; three brackets for 4-6 hose reels.
--------	---

Ball Stop Kits

PART NUMBER	TYPICAL HOSE ID
222225*	For 1/4 in (6.4 mm) i.d. hose
218340*	For 1/4-3/8 in (6.4-9.5 mm) i.d. hose
218341*	For 3/8-1/2 in (9.5-12.7 mm) i.d. hose
237873	For 3/4 in (19 mm) i.d. hose
237874	For 1 in (25 mm) i.d. hose
24D132	For 3/8 in (9.5 mm) o.d. hose
24D133	For 1/2 in (12.7 mm) o.d. hose

*Not for use with XD30 reels

Hose Inlet Kits

FOR SD AND XD REELS					
PART NUMBER	DESCRIPTION	PRESSURE psi (bar)	HOSE I.D. in (mm)	LENGTH in (mm)	HOSE INLET
218549	Low /medium pressure	2000 (137)	1/2 (12)	24 (610)	npt(m)
218550	High pressure	4000 (276)	3/8 (10)	24 (610)	npt(m)
222417	High pressure	5000 (345)	1/4 (6)	24 (610)	npt(m)

Retrofit Bracket to 500 Series

Mounting Bracket

Ball Stop Kit

Hose Inlet Kit for SD and XD open reels

LD Enclosed Hose Reel Accessories

Mounting Brackets

Includes all parts to mount reel on wall or ceiling; bench, table or tank top-mount

PART NUMBER	MOUNTING OPTIONS
24C772	Tote, Bench or Wall Mount Post
24E506	Fixed Installation Kit



Tote, Bench or Wall Mount Post
24C772

Ceiling/Wall Stationary Bracket 24E506



Ceiling/Wall Swivel Mount (standard)

Ceiling/Wall Stationary Mount (optional)

Tote, Bench or Wall Mount Post (optional)



Hose Inlet Kit for LD enclosed reels

Hose Inlet Kits for LD Enclosed Hose Reel

	PART NUMBER	HOSE INLET DESCRIPTION	FITS REEL	PRESSURE PSI (BAR)	HOSE ID in (mm)	LENGTH in (mm)	HOSE INLET in	HOSE OUTLET in	
FOR BSP CONNECTIONS	24C437	Air	HEL13D	250 (17.2)	1/4 (6)	36 in (915)	1/4 bspt(m)	1/4 bspt(m)	
			HEL15D	250 (17.2)	1/4 (6)				
	24C438	Air/ water	HEL23D	250 (17.2)	1/2 (12)		1/2 bspt(m)	3/8 bspt(m)	
			HEL25D	250 (17.2)	1/2 (12)				
			HEL33D	250 (17.2)	1/2 (12)				
			HEL34D	250 (17.2)	1/2 (12)				
	24C440	Oil	HEM23D	1,800 (124)	1/2 (12)		1/2 bspt(m)	3/8 bspt(m)	
HEM33D			1,800 (124)	1/2 (12)					
24C442	Grease	HEH13D	5,000 (345)	1/4 (6)	1/4 bspt(m)		1/4 bspt (m)		
FOR NPT CONNECTIONS	24C443	Air	HEL13D	250 (17.2)	1/4 (6)		1/4 npt(m)*	1/4 npt(m)*	
			HEL15D	250 (17.2)					
	24C444	Air/water	HEL23D	250 (17.2)	1/2 (12)			1/2 npt(m)*	3/8 npt(m)*
			HEL25D	250 (17.2)	1/2 (12)				
			HEL33D	250 (17.2)	1/2 (12)				
			HEL34D	250 (17.2)	1/2 (12)				
	24C445	Air/water	HEM23D	1,800 (124)	1/2 (12)	1/2 bspt(m)		1/2 bspt(m)	
			HEM33D	1,800 (124)	1/2 (12)				
	24C537	Oil	HEH13D	5,000 (345)	1/4 (6)	1/2 npt(m)*		1/2 npt(m)*	
24C538	HEM23D		1,800 (124)	1/2 (12)	1/2 npt(m)*	1/2 npt(m)*			
24C539	Grease	HEH13D	5,000 (345)	1/4 (6)	1/4 npt(m)*	1/4 npt(m)*			

* NPT hose connection when using BSP to NPT adapter (included)



ABOUT GRACO

PROVEN QUALITY. LEADING TECHNOLOGY.

Founded in 1926, Graco is a world leader in fluid handling systems and components. Graco products move, measure, control, dispense and apply a wide range of fluids and viscous materials used in vehicle lubrication, commercial and industrial settings.

The company's success is based on its unwavering commitment to technical excellence, world-class manufacturing and unparalleled customer service. Working closely with qualified distributors, Graco offers systems, products and technology that set the quality standard in a wide range of fluid handling solutions. Graco provides equipment for spray finishing, protective coating, paint circulation, lubrication, and dispensing sealants and adhesives, along with power application equipment for the contractor industry. Graco's ongoing investment in fluid management and control will continue to provide innovative solutions to a diverse global market.

GRACO LOCATIONS

MAILING ADDRESS

P.O. Box 1441
Minneapolis, MN 55440-1441
Tel: 612-623-6000
Fax: 612-623-6777

AMERICAS

MINNESOTA

Worldwide Headquarters
Graco Inc.
88-11th Avenue N.E.
Minneapolis, MN 55413

EUROPE

BELGIUM

European Headquarters
Graco N.V.
Industrieterrein-Oude Bunders
Slakweidestraat 31
3630 Maasmechelen,
Belgium
Tel: 32 89 770 700
Fax: 32 89 770 777

ASIA PACIFIC

AUSTRALIA

Graco Australia Pty Ltd.
Suite 17, 2 Enterprise Drive
Bundoora, Victoria 3083
Australia
Tel: 61 3 9467 8558
Fax: 61 3 9467 8559

CHINA

Graco Hong Kong Ltd.
Shanghai Representative Office
Room 118 1st Floor
No.2 Xin Yuan Building
No.509 Cao Bao Road
Shanghai, 200233
The People's Republic of China
Tel: 86 21 649 50088
Fax: 86 21 649 50077

INDIA

Graco Hong Kong Ltd.
India Liaison Office
Room 432, Augusta Point
Regus Business Centre 53
Golf Course Road
Gurgaon, Haryana
India 122001
Tel: 91 124 435 4208
Fax: 91 124 435 4001

JAPAN

Graco K.K.
1-27-12 Hayabuchi
Tsuzuki-ku
Yokohama City, Japan 2240025
Tel: 81 45 593 7300
Fax: 81 45 593 7301

KOREA

Graco Korea Inc.
Shinhan Bank Building
4th Floor #1599
Gwanyang-Dong, Dongan-Ku,
Anyang-si, Korea 431-060
Tel: 82 31 476 9400
Fax: 82 31 476 9801

SALES/ DISTRIBUTION/ SERVICE

Call today for product information or to request a demonstration.

877-84GRACO (1-877-844-7226) or visit us at www.graco.com.

Graco Inc. is registered to I.S. EN ISO 9001

North America
Customer Service
800-533-9655
Fax 800-533-9656