



58-GALLON AUXILIARY FUEL TANK USER'S MANUAL

Part No. JDI-AFT58

FOR WARRANTY INFORMATION, PLEASE CALL 800-433-0708

DATE OF PURCHASE: _____

READ AND SAVE THIS MANUAL

FOR SERVICE ASSISTANCE, CALL 800-433-0708 OR VISIT JOHNDOW.COM



Important Safety Information

Read this manual and safety information before using this tank.



DANGER

DANGER indicates a hazardous situation which, if not avoided, will result in death or serious injury.

The use of this product includes the handling of diesel.

DANGER DIESEL

COMBUSTIBLE

HARMFUL OR FATAL IF SWALLOWED

DO NOT USE THIS CONTAINER FOR

GASOLINE OR OTHER FLAMMABLE

LIQUIDS

- Keep out of reach of children.
- Avoid prolonged breathing of vapors.
- Do not siphon by mouth.
- Do not store in vehicle or living space.
- Store and use in well-ventilated area.
- Do not use near heat, spark, or flame.
- Keep container closed.
- Do not smoke near or while using this product.



WARNING

WARNING indicates a hazardous situation which, if not avoided, could result in death or serious injury.

Static charge and container filling warnings.

- Dissipate any static electricity from your body by touching a metal surface away from the service station nozzle and prior to removing service station nozzle from dispensing pump.
- Keep service station nozzle in contact with tank while filling.
- Do not use service station nozzle lock-open device while filling.
- Do not re-enter vehicle while filling. Re-entry can cause static buildup on person and create spark.
- Fill slowly to prevent buildup of static charge.
- Do not use electronics or mobile phones while using this product.
- Do not use funnels to fill or dispense fuel with this product.
- If fire starts, do not remove service station nozzle. Back away immediately.



WARNING

WARNING indicates a hazardous situation which, if not avoided, could result in death or serious injury.

Use, transportation, and storage warnings.

- Confirm all users are trained on safe working practices and comply with any and all regulations for using, transporting, and storing diesel.
- Confirm all fittings and connections are tight and leak-free.
- Do not modify this product or its components.
- Use only diesel to avoid possible damage to equipment.
- Perform the entire closure procedure after filling and before transporting.
- Do not place inside a vehicle trunk or inside passenger cabin.
- Secure or strap tank to a trailer or truck bed with appropriate working load ratchet-style polyester cargo tie-down straps.
- Do not store in direct sunlight.
- Open fill cap manual vent screw slowly to release internal pressure prior to opening valve and nozzle.
- Use care when maneuvering to prevent injury or loss of control. Seek assistance to avoid strain or injury.
- State and local regulations vary for the transportation of diesel. It is the vehicle operator's responsibility to review and comply with all federal, state, and local regulations regarding diesel transportation.
- It is the owner's/user's responsibility to review and comply with all building and fire codes regarding proper storage of diesel.

CAPACITY AND DIMENSIONS

Model No.: JDI-AFT58

Width: 35.9"

Capacity (Gallons): 58

Length: 23.6"

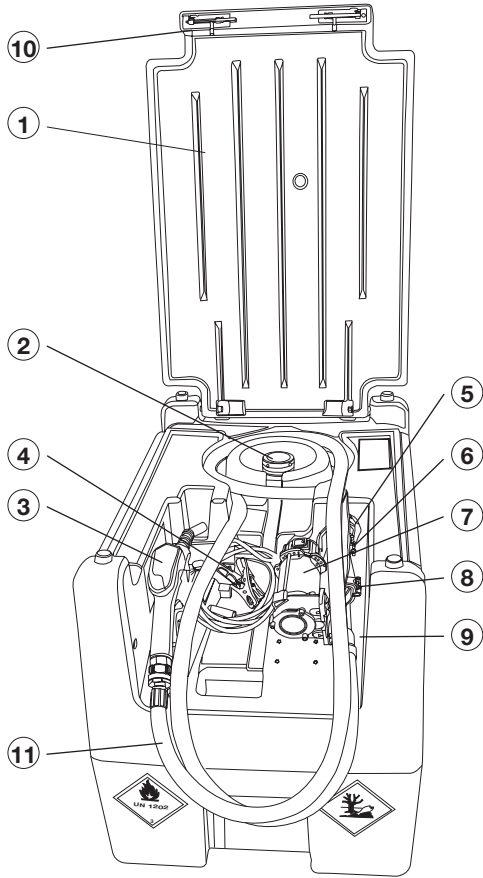
Weight (Empty): 56 lbs.

Height: 24.5"

GETTING STARTED

Before assembly, ensure you have all parts according to the contents list below. If any parts are missing or damaged, contact us for replacement.

CONTENTS



Item No.	Description
1	Locking Cover
2	Filler Cap with Vent
3	Automatic Dispensing Nozzle
4	Power Cable with Battery Terminal Clamps
5	Suction Hose Coupler with Filter
6	Ball Valve (Shut-off Valve)
7	12V Fuel Transfer Pump
8	Suction Hose, Clamp and Curved Tube
9	Threaded Joint
10	Lid Clasps
11	Delivery Hose

OPERATION

Filling the Tank with Diesel Fuel

1. Before filling, make sure the tank has no defects in the structure or equipment.
2. Fill the tank slowly to prevent static buildup.
3. When filling the tank, maintain a minimum amount of empty space to allow the diesel fuel to expand due to heating. Do not let fuel spill out or vapors are not emit into the atmosphere.
4. Do not to fill the tank beyond 95% of capacity (approximately 55 gallons).

Securing and Transporting Filled Tank

1. Properly secure the tank to a trailer or truck bed before transporting to avoid movement.
2. Use a high-strength nylon tie-down strap(s).
3. DO NOT place the tank inside a trunk or passenger compartment.

FUEL TRANSFER

To Transfer Fuel From Tank

1. Make sure the switch on the transfer pump is in the OFF (“O”) position [7].
2. Connect power cable to the battery terminals. Red clamp to the positive (+) terminal and Black clamp to the negative (-) terminal [4].
3. Unroll the transfer hose and insert the nozzle into the destination tank with nozzle locked in the OPEN position [12].
4. Turn the ball valve to the OPEN position [6].
5. Start the transfer pump by placing the switch in the ON (“I”) position.
6. Proceed with the transfer for a maximum of 30 minutes from the time the pump was turned ON. DO NOT run pump when not transferring fuel for more than two minutes.
7. Fill the tank to the desired level or wait until the automatic nozzle snaps CLOSED [9].

When Transfer is Complete:

1. Stop the transfer pump by placing the switch in the OFF (“O”) position.
2. Turn the ball valve to the OFF position.
3. Relieve all residual pressure in the hose by dispensing fuel by holding the nozzle handle OPEN for a few seconds.
4. Roll-up the transfer hose and place the hose and nozzle in their proper position.
5. Disconnect the power cables from the battery terminals and store in the proper position.