

Used Oil Receiver

16 Gal. (61L) Drum Size

306449P

EN

For the collection of non-corrosive and non-abrasive oils and lubricants only. For professional use only.

Models:

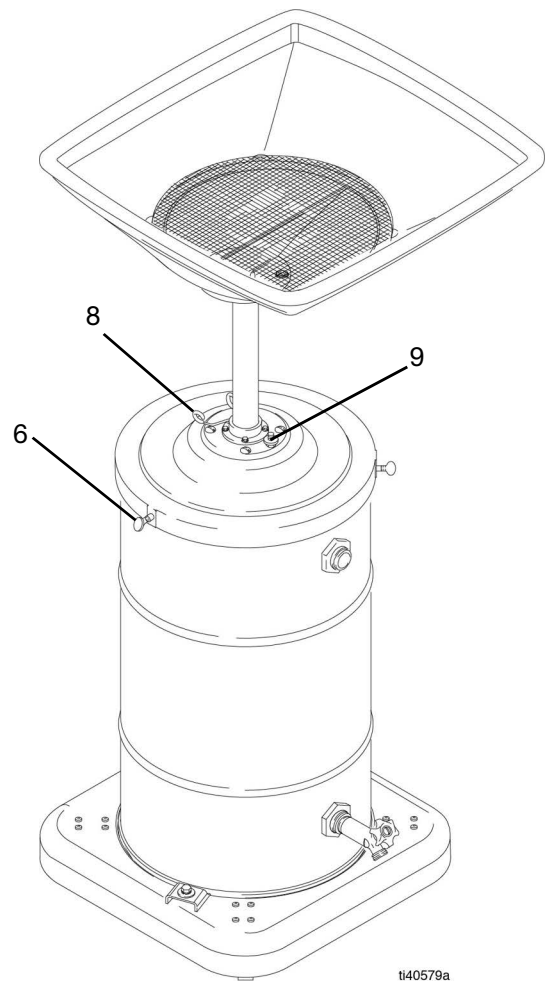
239301, Series A, with Drum and Drain Valve

239302, Series A, without Drum and Drain Valve



Important Safety Instructions

Read all warnings and instructions in this manual before using the equipment.
Save all instructions.



ti40579a

Fig. 1

Installation

Secure an empty 16 gal. (61L) steel drum to the base with the clamps and nuts, as shown. Position the cover and funnel assembly onto the drum, then secure it to the drum using thumbscrews (6) (see Fig. 1, page 1).

Operation

Refer to Fig 2, page 3, for the following instructions.

Position the receiver beneath the crankcase to be drained.

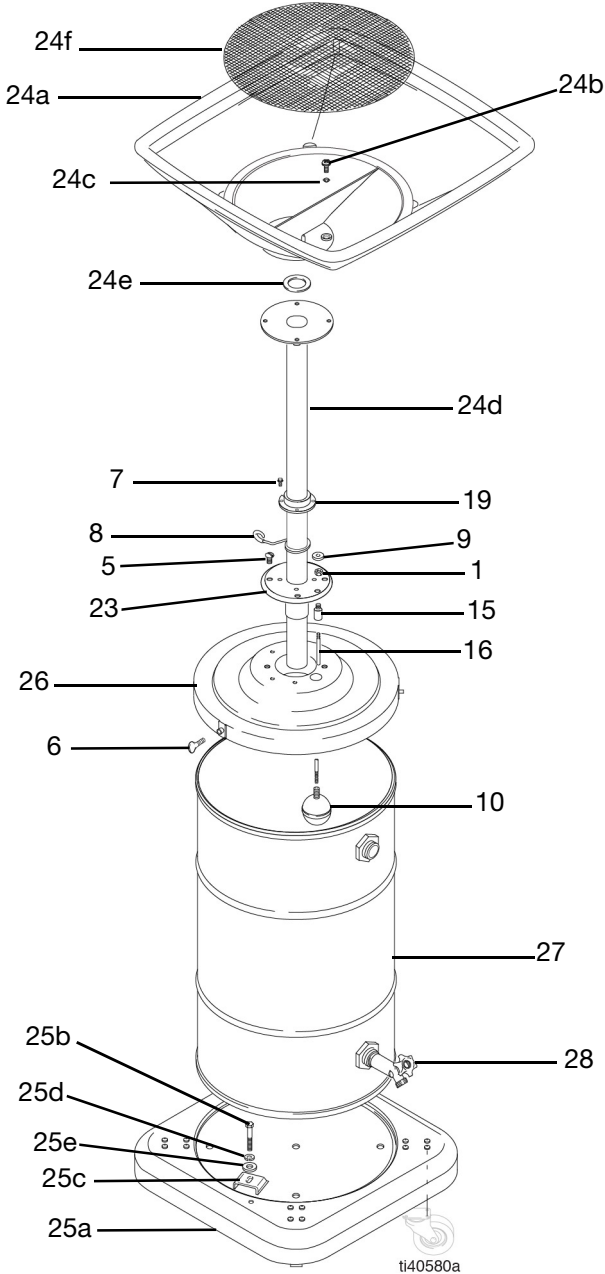
To raise the funnel, squeeze the ends of the torsion spring (8) together with one hand, then grasp the tube with the other hand. Lift to the desired height, then release the ends of the torsion spring.

To lower the funnel, squeeze the end of the torsion spring (8).

As the oil level nears the top of the drum, the float cap (9) rises to warn the operator to empty the drum.

Parts

239301, Series A, includes items 1 through 28
 239302, Series A, includes items 1 through 26



Ref.	Part	Description	Qty.
1	100070	NUT, hex full; 1/4-28	1
5	100333	SCREW, hex hd mach; 1/4-20 x 0.50 in.	4
6	101518	SCREW, thumb; 5/16-18 x 1.5 in.	3
7	100078	SCREW, hex head; no. 8-32 x 0.38 in.	4
8	104820	SPRING, torsion	1
9	151130	CAP, float rod	1
10	156619	FLOAT, ball	1
15	159917	GUIDE, float rod	1
16	159929	ROD, float	1
19	175033	BRACKET, spring retainer	1
23	214672	COLLAR ADAPTER	1
24	243650	FUNNEL ASSEMBLY	1
24a		FUNNEL	1
24b		SCREW, machine, pan head, 5/16-18 UNC	4
24c	111959	O-RING	4
24d		TUBE, drain	1
24e	116092	GASKET	1
24f	196562	STRAINER	1
25	203622	BASE assembly (Includes items 25a through 25e)	1
25a	191750	BASE	1
25b	102547	BOLT, hex hd; 5/16 in. - 18 x 1.5 in.	2
25c	191747	BRACKET	2
25d	100214	WASHER, lock	2
25e	100132	WASHER, flat	2
26	204574	DRUM COVER assembly (Includes item 6)	1
27	113926	DRUM; 16 gal. (61L)	
28	107247	DRAIN VALVE	1

Fig. 2

Recycling and Disposal

End of Product Life

- At the end of the product's useful life, dismantle and recycle it in a responsible manner.
- Drain and dispose of fluids according to applicable regulations. Refer to the material manufacturer's Safety Data Sheet.

California Proposition 65

CALIFORNIA RESIDENTS

 **WARNING:** Cancer and reproductive harm – www.P65warnings.ca.gov.

Graco Information

For the latest information about Graco products, visit www.graco.com.

For patent information, see www.graco.com/patents.

TO PLACE AN ORDER, contact your Graco distributor or call to identify the nearest distributor.

Phone: 612-623-6928 or **Toll Free:** 1-800-533-9655, **Fax:** 612-378-3590

*All written and visual data contained in this document reflects the latest product information available at the time of publication.
Graco reserves the right to make changes at any time without notice.*

Original instructions. This manual contains English. MM 306449

Graco Headquarters: Minneapolis

International Offices: Belgium, China, Japan, Korea

GRACO INC. AND SUBSIDIARIES • P.O. BOX 1441 • MINNEAPOLIS MN 55440-1441 • USA
Copyright 1990, Graco Inc. All Graco manufacturing locations are registered to ISO 9001.

www.graco.com
Revision P, October 2022