

LeCavist

Thermoelectric Wine Cooler

Model No: **LCCV12B/LCCV18B/LCCV28B/LCCV21B2Z/LCCV24B2Z**



USER MANUAL

TABLE OF CONTENTS

I. GENERAL SAFETY PRECAUTIONS	- 1 -
II. TECHNICAL DATA	- 4 -
III. STRUCTURAL DIAGRAM	- 5 -
IV. ELECTRICAL PARTS	- 6 -
V. OPERATION OF WINE COOLER	- 6 -
VI. SPECIFIC PRECAUTIONS	- 7 -
VII. MAINTENANCE	- 7 -
VIII. RECOMMENDED TEMPERATURE SETTINGS	- 7 -
IX. TROUBLESHOOTING	- 8 -



THIS PRODUCT IS FOR HOUSEHOLD USE ONLY!
**Please read these instructions carefully before
using this product and save this
manual for future reference.**

I. GENERAL SAFETY PRECAUTIONS

- After removing the wine cooler from packaging, ensure it is not damaged. If you have any doubts, do not use it and contact an authorized service centre.
- Packaging and installation tools should be kept out of reach of children. Read the operating manual carefully before use. Check the rating data on the rating nameplate corresponds to your power supply.
- This wine cooler can only be used for the purpose for which it was designed. The manufacturer will not be responsible for any damage due to improper use or repairs made by unqualified personnel.
- Before cleaning the wine cooler, make sure it is unplugged. Never clean the unit with an acid preparation, a medical substance, substances that should be diluted, gasoline, oil or any other kind of chemical substance that could damage the wine cooler.
- Repairs should only be performed by authorized service centers.
- Children under 8 years old should be supervised when using this product. Children are 8 years old should be

instructed in the safe use of the appliance and understand the hazards prior to use.

- Children must not be allowed to play with the appliance.
- Cleaning and user maintenance must not be performed by children without supervision.
- WARNING: When positioning the appliance, ensure the supply cord is not trapped or damaged.
- WARNING: Do not locate multiple portable socket-outlets or portable power supplies at the rear of the appliance.

IMPORTANT SAFETY INSTRUCTIONS

1. Improper use of the grounded plug can result in electrical shock. If the power cord is damaged, have it replaced by an authorized service centre.
2. This wine cooler should be placed on level ground for your safety.
3. Do not under any circumstances alter the power cord supplied.
4. The cord should be secured behind the wine cooler and not left exposed or dangling to prevent accidental injury.
5. Never unplug the wine cooler by pulling the power cord. Always grip the plug firmly and pull it straight out from the power board.

6. To reduce the risk of fire, replace fuses only with the same type.
7. Free-standing installation only.
8. Do not use extension cords.

CAUTION

1. Because refrigerant gases are combustible, professional service people will be required to dispose of the wine cooler at the end of its use.
2. Danger: Risk of child entrapment. Before throwing away your old wine cooler, you should take off the door but leave the shelves in place so that children cannot easily climb inside.
3. If the power cable is damaged it must be replaced by the manufacturer, its service agent or similarly qualified persons in order to avoid a hazard.

II. TECHNICAL DATA

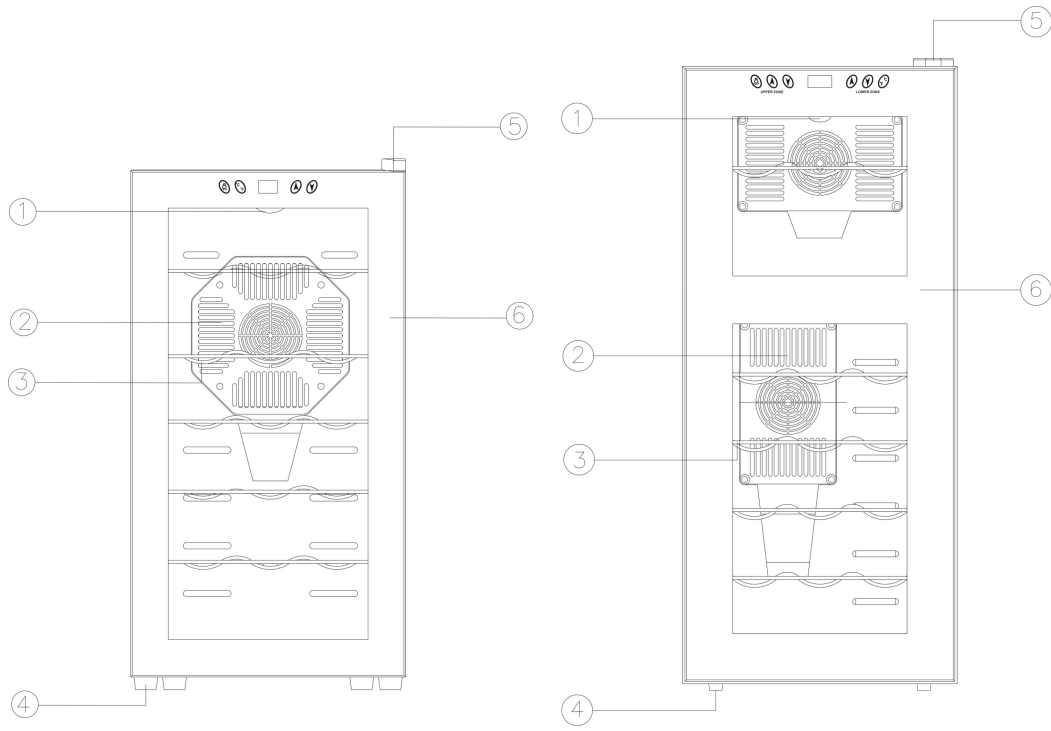
Reference:	LCCV12B/LCCV18B/LCCV28B	LCCV21B2Z/LCCV24B2Z
Rated voltage:	AC 220~240V	AC 220~240V
Ampere:	0.5A / 0.55A	1.0A / 0.9A
Rated frequency:	50Hz	50Hz
Climate class:	N,SN,T	N,SN,T
Protection against electrical shock:	I	I
Insulation foam:	Cyclopentane	Cyclopentane

Climate class:

- Extended temperate(SN): 'this refrigerating appliance is intended to be used at ambient temperatures ranging from 10 °C to 32 °C';
- Temperate(N): 'this refrigerating appliance is intended to be used at ambient temperatures ranging from 16 °C to 32 °C';
- Subtropical(ST): 'this refrigerating appliance is intended to be used at ambient temperatures ranging from 16 °C to 38 °C';
- Tropical(T): 'this refrigerating appliance is intended to be used at ambient temperatures ranging from 16 °C to 43 °C';

Note: For more information, please scan the QR code on the energy label.

III. STRUCTURAL DIAGRAM

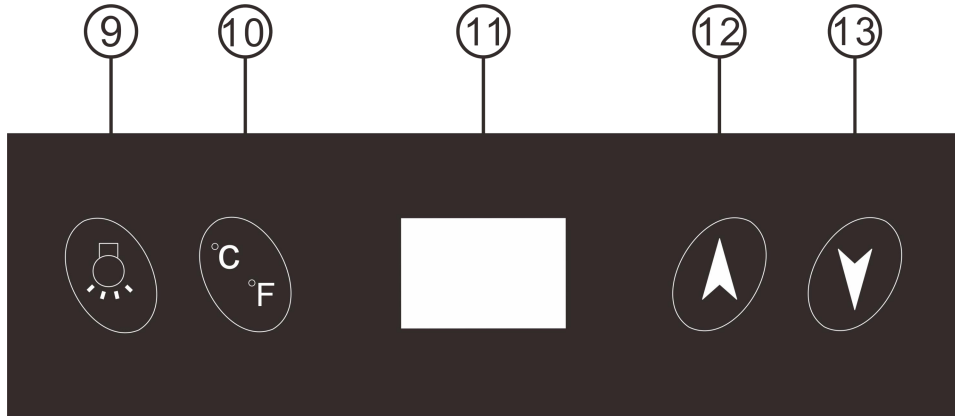


1. LIGHT
4.FOOT

2.FAN MASK
5.HINGE

3.SHELF
6.GLASS DOOR

For LCCV12B/LCCV18B/LCCV28B/LCCV24B2Z



9.Light button
12.Set temp. up button

10.Celsius/Fahrenheit button
13.Set temp. down button

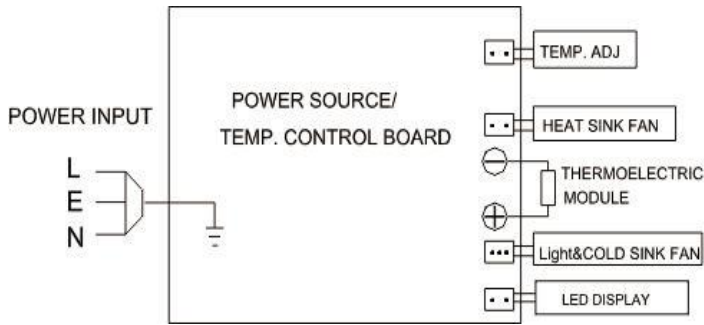
11.LCD display

For LCCV21B2Z

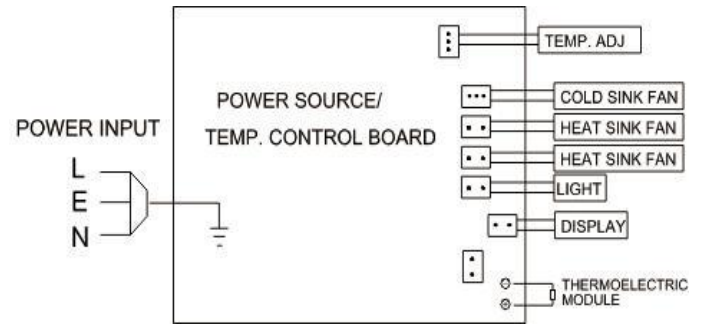


IV. ELECTRICAL PARTS

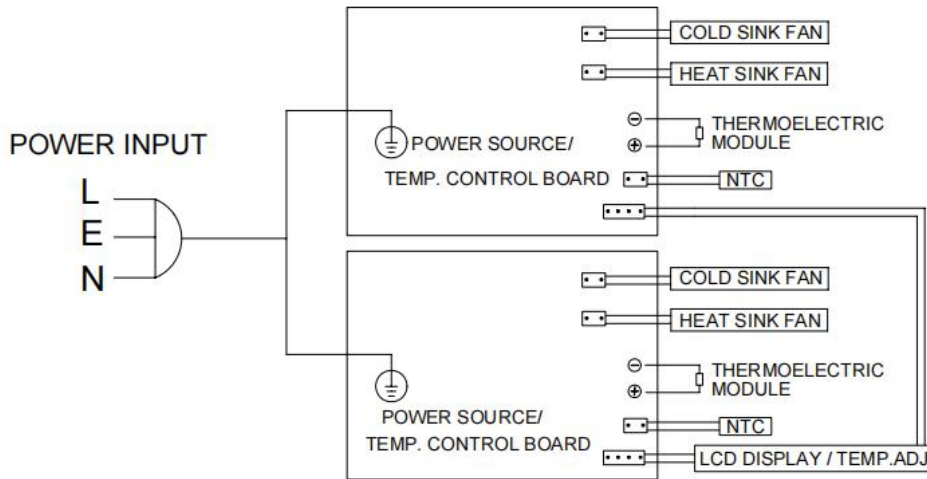
For LCCV12B/LCCV18B/LCCV28B



For LCCV24B2Z



For LCCV21B2Z



V. OPERATION OF WINE COOLER

The internal temperature of this thermoelectric wine cooler depends on the room temperature. The wine cooler LCCV12B/LCCV18B/LCCV28B/LCCV24B2Z can be adjusted in the range 11–18°C ($\pm 1^\circ\text{C}$), LCCV21B2Z upper zone can be adjusted in the range 7–12°C, lower zone can be adjusted in the range 12–18°C when it is located in an ideal room temperature of 25°C.

When first turned on, with no objects placed inside it, the wine cooler will reach the temperature programmed after 2-2.5 hours.

- When the power is connected, the cooling system starts to work.
- The temp. you want can be set by touching ▲ and ▼ with your finger. While the internal temperature is higher than the set temperature, the cooling system will function. While the internal temperature is lower than the set temperature, the cooling system will not function and the inside temperature will rise. When it rises above the set temperature, the cooling system will start functioning again. The wine cooler has cooling cycles.
- The light can be turned ON or OFF by touching "☹️". The light will switch off 10 min after pressing the button.

VI. SPECIFIC PRECAUTIONS

- In order to function optimally, this wine cooler needs to be placed on a flat floor with 2cm gaps to the sides and a 10cm gap at the rear.
- Use the adjusters provided to make sure the wine cooler is completely level.
- Avoid placing the wine cooler in sunlight and other heat sources.
- Hot items should be cooled down before being placed in the wine cooler.
- Do not place heavy items on the top of the wine cooler.
- Opening the door for long periods can cause a significant increase of the temperature in the compartments of the appliance.
- If the wine cooler is left empty for long periods, switch off, clean, dry, and leave the door open to prevent mould developing within the appliance.

VII. MAINTENANCE

- Shut off the power supply before cleaning the interior.
- Take out all bottles, and the shelves, then clean the interior with water containing bi-card soda first, then wipe again with clean water.
- Do not use soap or detergent to clean the interior.
- Clean the wine cooler regularly.

VIII. RECOMMENDED TEMPERATURE SETTINGS

INTENDED USE

This wine cooler is intended for keeping wine however can be used for other beverages including juices, nutritional drinks, soft drinks, snacks, water, and beer.

The chart indicates the ideal storage temperatures for different types of wines:

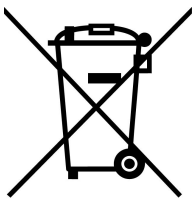
Red Wines	15.5-18±1°C
Dry/White Wines	11-15°C
Vintage wine	13°C

IX. TROUBLESHOOTING

Issues	Possible Cause	Solutions
No cooling.	Not plugged in. Low voltage. Fuse broken.	Plug in. Ensure voltage normal. Change fuse.
Temperature inside not low enough.	The wine cooler is placed too near a heat source. Bad ventilation. Fans don't work The door is not closed tightly or is opened too frequently or for too long a time.	Keep the wine cooler away from sunshine and other heat sources. Place the wine cooler in an area with good ventilation and keep things away from the fans. Check whether the plug is in the power socket or change the fan. Close the door tightly and limit opening
Strange smell inside the wine cooler.	Check whether anything has gone off inside the wine cooler.	Wrap the source of the smell or take it out of the wine cooler. Clean the cooler
The internal light is flashing.	You have set a temperature higher than the internal temperature. The automatic defrost function is starting to work.	Adjust the temp. setting with the controls. Normal function. No repair needed.
Frost on the heat sink.	Too much humidity or too low a temperature inside the wine cooler.	Turn the wine cooler off and disconnect the power, then defrost by hand. Connect the power again when the ice has thawed.

If you have any questions, please call the authorized service centre.

CORRECT DISPOSAL OF THIS PRODUCT



This marking indicates that this product should not be disposed with other household waste. To prevent possible harm to the environment or human health from uncontrolled waste disposal, recycle it responsibly to promote the sustainable reuse of resources. To return your used device, please use contact the retailer where the product was purchased.

Osass Australia Pty Ltd.

PO Box 141, Waverley 2024