

60CM BUILT-IN DOUBLE OVEN

MODEL CAO888X1



24 MONTH WARRANTY



60CM



HALOGEN GLOBE



TRIPLE GLAZING

TOP OVEN



35L OVEN CAPACITY



COOKING FUNCTIONS



SHELF POSITIONS

BOTTOM OVEN



55L OVEN CAPACITY



COOKING FUNCTIONS



SHELF POSITIONS



PRODUCT INFORMATION

FINISH

- Fingerprint proof stainless steel

FEATURES

- 50–250°C thermostat
- full-glass inner door
- removal oven doors
- lower oven: digital timer
- one halogen light per cavity (2kW/hr each cavity)
- also available in stainless steel and white glass

CAPACITY & INTERIOR

- top oven: 35 litres (gross)
- lower oven: 55 litres (gross)
- top oven: 4 cooking levels
- lower oven: 5 cooking levels
- 'ActivEnamel' easy-clean interior enamel

SAFETY

- triple-glazed glass doors

FUNCTIONS

- top oven: 4 functions- grill, convection, bottom, light
- lower oven: 7 functions- defrost, grill, fan forced, bottom, convection, fan assisted, half fan grill

ACCESSORIES

- 2 x baking dishes
- 2 x oven racks
- 1 x grill insert

DISCLAIMER

Eurolinx PTY LTD, is continually seeking ways to improve the design specifications, aesthetics and production techniques of its products. As a result alterations to our products and designs take place continually. Whilst every effort is made to produce information and literature that is up to date, this brochure should not be regarded as an infallible guide to the current specifications, nor does it constitute an offer for the sale of any particular product. Product dimensions indicated in our literature is indicative only. Actual product only should be used to define dimension cut outs. Distributors, and retailers are not agents of Eurolinx and are not authorized to bind Eurolinx by any express or implied undertaking or representation.



EAN 9347777002174

AR09042021

FOLLOW US ON:



instagram.com/artusi_appliances



www.linkedin.com/company/eurolinx-pty-ltd-t-a-llve/

Australia National Telephone Number 1300 (694 583) New Zealand Telephone Number 64 3 344 5913

Artusi showroom hours: Tuesday to Friday - 9am-5pm, Saturday - 10am-4pm, Sunday and Monday - closed

* Melbourne showroom hours: Tuesday to Saturday - 10am-4pm

artusi.com.au

NSW & ACT (Head Office)

48-50 Moore Street
Leichhardt
F 02 8569 4699

QLD

1/42 Cavendish Road
Coorparoo
F 07 3397 0850

WA & NT

Unit 10/55 Howe Street
Osborne Park
F 08 9201 9188

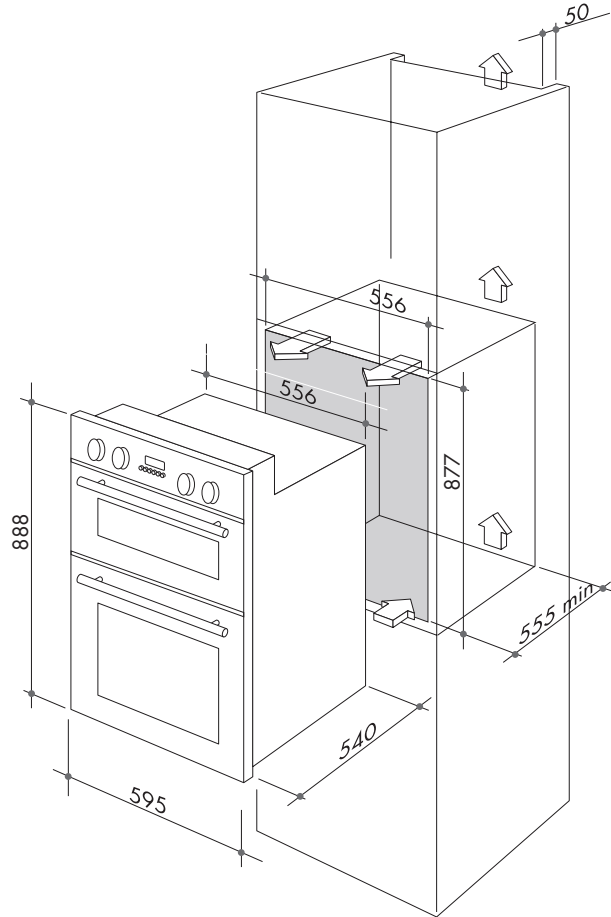
New Zealand

PO Box 11,160
Sockburn Christchurch
F 03 344 5906

60CM BUILT-IN DOUBLE OVEN

MODEL CAO888X1

TECHNICAL DIAGRAM



NB: drawings are not to scale — they are to be used for detailed installation instructions, please refer to user guide.

EAN 9347777002174

AR08042021

DISCLAIMER

Eurolinx PTY LTD, is continually seeking ways to improve the design specifications, aesthetics and production techniques of its products. As a result alterations to our products and designs take place continually. Whilst every effort is made to produce information and literature that is up to date, this brochure should not be regarded as an infallible guide to the current specifications, nor does it constitute an offer for the sale of any particular product. Product dimensions indicated in our literature is indicative only. Actual product only should be used to define dimension cut outs. Distributors, and retailers are not agents of Eurolinx and are not authorized to bind Eurolinx by any express or implied undertaking or representation.

CAO888 Electric Built-in Double Oven
4kW/hr total electrical consumption
Electrical connection: hard wired

FOLLOW US ON:  [instagram.com/artusi_appliances](https://www.instagram.com/artusi_appliances)

 www.linkedin.com/company/eurolinx-pty-ltd-t-a-ilve/

Australia National Telephone Number 1300 (694 583) New Zealand Telephone Number 64 3 344 5913
Artusi showroom hours: Tuesday to Friday - 9am-5pm, Saturday - 10am-4pm, Sunday and Monday - closed
* Melbourne showroom hours: Tuesday to Saturday - 10am-4pm

[artusi.com.au](https://www.artusi.com.au)

NSW & ACT (Head Office)
48-50 Moore Street
Leichhardt
F 02 8569 4699

QLD
1/42 Cavendish Road
Coorparoo
F 07 3397 0850

WA & NT
Unit 10/55 Howe Street
Osborne Park
F 08 9201 9188

New Zealand
PO Box 11.160
Sockburn Christchurch
F 03 344 5906