

Description

ROBINHOOD WALL CANOPY 60CM WHITE
RWC3CL6WHT



Key Features

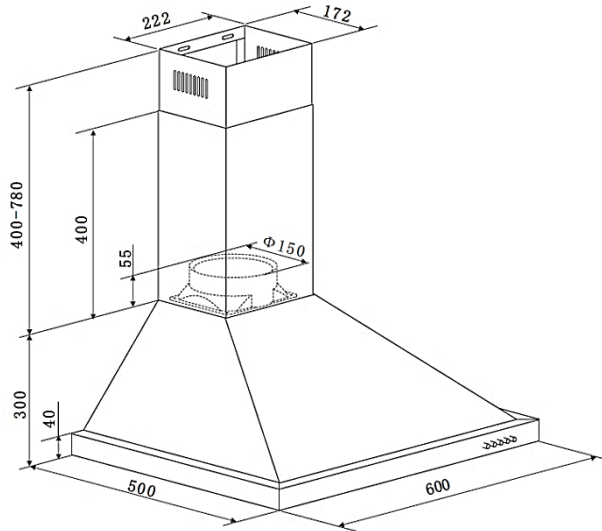
Max Motor Performance
 750 m³/hr

Power Levels
 3

Control Type
 Push Buttons

Lighting
 2 x 3W LED

Venting Type
 Ducted or recirculated



Dated: 8/10/2020

Specifications

Voltage	220~240v
Frequency	50~60Hz
Motor type	3 speed centrifugal motor
Motor power	280W
Max motor performance	750m ³ /hr
Lighting (number x power - type)	2x3W LED (GU10)
Controls	Push buttons
Speed levels	3
Filters	2xAluminum filters
Optional charcoal filters	Part# 2536, pack of 2
No return valve	Included
Air outlet (mm)	150mm
Power cord length	1.5M
Chimney (upper+lower)	400+400mm
Optional chimney extension	Part# 2180 (for 3m ceiling height)
Product dimensions (WxDxH)	600x500x(700-1080)mm
Packaging dimensions (WxDxH)	650x370x550mm
Gross/net weight	12.2/11kg

IEC 61951 Tested Performance Data		
Power Level	Air Flow (m ³ /hr)	Noise Level (dB)
1	460	60
2	560	65
3	650	68