

Description

ROBINHOOD WALL CANOPY 60CM/90CM STAINLESS STEEL
RWC3CL6SS (60cm); RWC3CL9SS (90cm)



RWC3CL6SS



RWC3CL9SS

Key Features

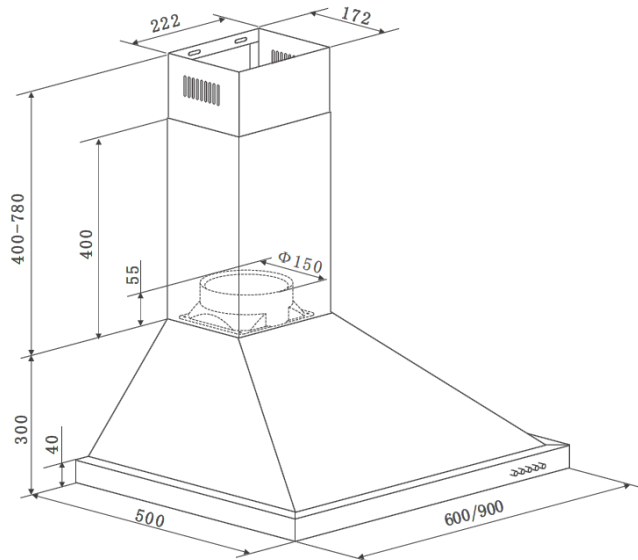
Max Motor Performance
750 m³/hr

Power Levels
3

Control Type
Push Buttons

Lighting
2 x 3W LED

Venting Type
Ducted or recirculated



Dated: 8/10/2020

Specifications

Voltage	220~240v
Frequency	50~60Hz
Motor type	3 speed centrifugal motor
Motor power	280W
Max motor performance	750m ³ /hr
Lighting (number x power - type)	2x3W LED (GU10)
Controls	Push buttons
Speed levels	3
Filters	3xAluminum filters
Optional charcoal filters	Part# 2536, pack of 2 (RWC3CL6SS) Part# 2537, pack of 3 (RWC3CL9SS)
No return valve	Included
Air outlet (mm)	150mm
Power cord length	1.5M
Chimney (upper+lower)	400+400mm
Optional chimney extension	Part# 2188 (for 3m ceiling height)
Product dimensions (WxDxH)	900x500x(700-1080)mm
Packaging dimensions (WxDxH)	955x370x550mm
Gross/net weight	15.4/13kg

IEC 61951 Tested Performance Data		
Power Level	Air Flow (m ³ /hr)	Noise Level (dB)
1	460	60
2	560	65
3	650	68