

MODEL PA0610X 60CM BUILT-IN ELECTRIC OVEN



MADE
IN EUROPE



24 MONTH
WARRANTY



60CM



COOKING
FUNCTIONS



SHELF
POSITIONS



TRIPLE
GLAZING



DIGITAL
DISPLAY



KNOB
CONTROL



10AMP POWER
CONNECTION



PRODUCT INFORMATION

FINISH

- fingerprint-proof stainless steel

FEATURES

- knob control
- Grill element power: 2000W
- digital timer
- Thermostat control: 40-240 °C
- Digital display

CAPACITY & INTERIOR

- 65L gross capacity
- Oven cavity size (cm): 46w x 40.5d x 35h
- 4 cooking levels
- black enamel cavity
- interior light

FUNCTIONS

- 4 cooking functions- fan, fan forced, grill, fan grill

SAFETY

- triple glazed glass door

CLEANING

- removable door

ACCESSORIES

- 1x oven rack
- 1x baking tray

TECHNICAL INFORMATION

- Size: 595W x 595H x 565D mm
- 10 AMP electrical connection
- 1.5m power cord

DISCLAIMER

Eurolinx PTY LTD, is continually seeking ways to improve the design specifications, aesthetics and production techniques of its products. As a result alterations to our products and designs take place continually. Whilst every effort is made to produce information and literature that is up to date, this brochure should not be regarded as an infallible guide to the current specifications, nor does it constitute an offer for the sale of any particular product. Product dimensions indicated in our literature is indicative only. Actual product only should be used to define dimension cut outs. Distributors, and retailers are not agents of Eurolinx and are not authorized to bind Eurolinx by any express or implied undertaking or representation.



EAN 9347777003706

AR0402201

FOLLOW US ON:



[instagram.com/artusi_appliances](https://www.instagram.com/artusi_appliances)



www.linkedin.com/company/eurolinx-pty-ltd-t-a-lve/

Australia National Telephone Number 1300 (694 583) New Zealand Telephone Number 64 3 344 5913

Artusi showroom hours: Tuesday to Friday - 9am-5pm, Saturday - 10am-4pm, Sunday and Monday - closed

* Melbourne showroom hours: Tuesday to Saturday - 10am-4pm

artusi.com.au

NSW & ACT (Head Office)

48-50 Moore Street
Leichhardt
F 02 8569 4699

QLD

1/42 Cavendish Road
Coorparoo
F 07 3397 0850

WA & NT

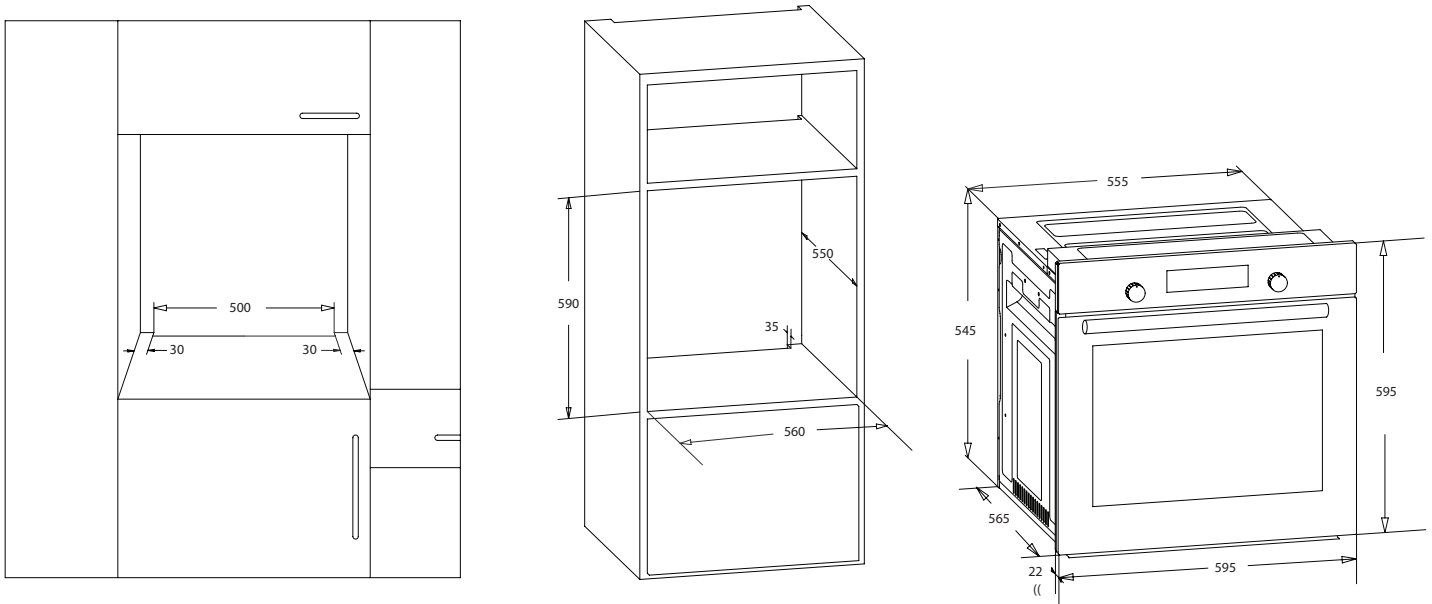
Unit 10/55 Howe Street
Osborne Park
F 08 9201 9188

New Zealand

PO Box 11,160
Sockburn Christchurch
F 03 344 5906

MODEL PAO610X 60CM BUILT-IN ELECTRIC OVEN

TECHNICAL DIAGRAM



NB: drawings are not to scale — they are to be used for detailed installation instructions, please refer to user guide.

EAN 9347777003706

AR04022021

DISCLAIMER

Eurolinx PTY LTD, is continually seeking ways to improve the design specifications, aesthetics and production techniques of its products. As a result alterations to our products and designs take place continually. Whilst every effort is made to produce information and literature that is up to date, this brochure should not be regarded as an infallible guide to the current specifications, nor does it constitute an offer for the sale of any particular product. Product dimensions indicated in our literature is indicative only. Actual product only should be used to define dimension cut outs. Distributors, and retailers are not agents of Eurolinx and are not authorized to bind Eurolinx by any express or implied undertaking or representation.

PAO610X 60cm multifunction electric oven
product dimensions: 595W x 595H x 565D mm
10 AMP electrical connection
1.5m power cord

FOLLOW US ON:  [instagram.com/artusi_appliances](https://www.instagram.com/artusi_appliances)

 www.linkedin.com/company/eurolinx-pty-ltd-t-a-lve/

Australia National Telephone Number 1300 (694 583) New Zealand Telephone Number 64 3 344 5913
Artusi showroom hours: Tuesday to Friday - 9am-5pm, Saturday - 10am-4pm, Sunday and Monday - closed
* Melbourne showroom hours: Tuesday to Saturday - 10am-4pm

[artusi.com.au](https://www.artusi.com.au)

NSW & ACT (Head Office)
48-50 Moore Street
Leichhardt
F 02 8569 4699

QLD
1/42 Cavendish Road
Coorparoo
F 07 3397 0850

WA & NT
Unit 10/55 Howe Street
Osborne Park
F 08 9201 9188

New Zealand
PO Box 11,160
Sockburn Christchurch
F 03 344 5906