

# 1 & 1/2 BOWL SINK

## MODEL KINGS CROSS



MADE  
IN EUROPE



30 YEAR  
WARRANTY



FLUSHMOUNT



UNDERMOUNT



TOP MOUNT

## PRODUCT INFORMATION

### FINISH

- AISI 304 polished finish stainless steel, 1mm thick

### SIZE

- Overall Size: 573 X 444 mm
- Bowl 1 size: 1- 340 x 400mm
- Bowl 1/4 size: 170 x 400 mm
- Bowl 1 depth: 215mm (no drain)
- Bowl 1/4 depth: 215mm (no drain)
- Cutout: 565 X 400 mm
- Minimum cabinet size: 600 mm

### AVAILABLE ACCESSORIES:



B20.42  
chopping board



CS16.39  
colander



B30.42  
chopping board



**EAN 9347777002655**

AR19102022

### DISCLAIMER

Eurolinx PTY LTD, is continually seeking ways to improve the design specifications, aesthetics and production techniques of its products. As a result alterations to our products and designs take place continually. Whilst every effort is made to produce information and literature that is up to date, this brochure should not be regarded as an infallible guide to the current specifications, nor does it constitute an offer for the sale of any particular product. Product dimensions indicated in our literature is indicative only. Actual product only should be used to define dimension cut outs. Distributors, and retailers are not agents of Eurolinx and are not authorized to bind Eurolinx by any express or implied undertaking or representation.

### FOLLOW US ON:



[instagram.com/artusi\\_appliances](https://www.instagram.com/artusi_appliances)



[www.linkedin.com/company/eurolinx-pty-ltd-t-a-lv/](https://www.linkedin.com/company/eurolinx-pty-ltd-t-a-lv/)

Australia National Telephone Number 1300 (694 583) New Zealand Telephone Number 64 3 344 5913  
Artusi showroom hours: Tuesday to Friday - 9am-5pm, Saturday - 10am-4pm, Sunday and Monday - closed  
\* Melbourne showroom hours: Tuesday to Saturday - 10am-4pm

[artusi.com.au](https://www.artusi.com.au)

#### NSW & ACT (Head Office)

48-50 Moore Street  
Leichhardt

#### VIC & SA

2R/131 Church Street  
Hawthorn

#### QLD

1/42 Cavendish Road  
Coorparoo

#### WA & NT

Unit 10/55 Howe Street  
Osborne Park

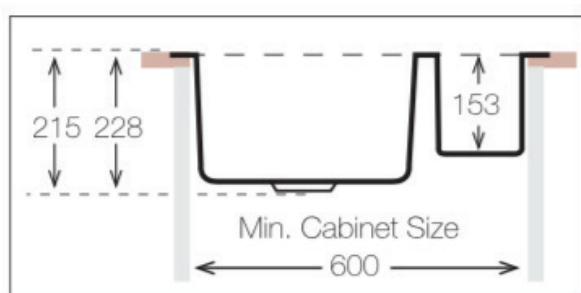
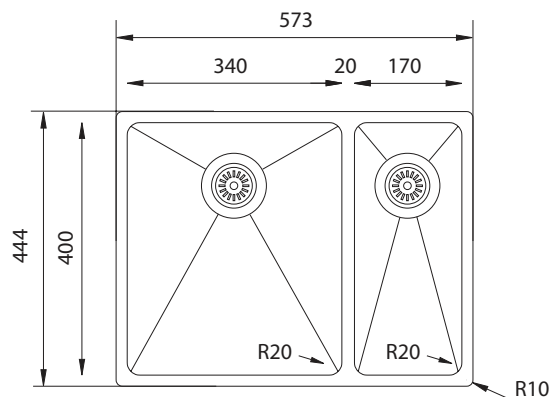
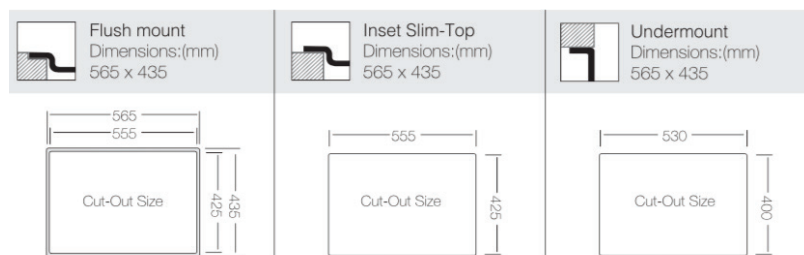
#### New Zealand

PO Box 11.160  
Sockburn Christchurch

# 1 & 1/2 BOWL SINK

## MODEL KINGS CROSS

### TECHNICAL DIAGRAM



NB: drawings are not to scale — they are to be used for detailed installation instructions, please refer to user guide.

**EAN 9347777002655**

AR19102022


#### DISCLAIMER

Eurolinx PTY LTD, is continually seeking ways to improve the design specifications, aesthetics and production techniques of its products. As a result alterations to our products and designs take place continually. Whilst every effort is made to produce information and literature that is up to date, this brochure should not be regarded as an infallible guide to the current specifications, nor does it constitute an offer for the sale of any particular product. Product dimensions indicated in our literature is indicative only. Actual product only should be used to define dimension cut outs. Distributors, and retailers are not agents of Eurolinx and are not authorized to bind Eurolinx by any express or implied undertaking or representation.

KINGS CROSS 1 & 1/4 bowl sink

AISI 304 polished finish stainless steel, 1mm thick

**FOLLOW US ON:**  [instagram.com/artusi\\_appliances](https://www.instagram.com/artusi_appliances)

 [www.linkedin.com/company/eurolinx-pty-ltd-t-a-lve/](https://www.linkedin.com/company/eurolinx-pty-ltd-t-a-lve/)

Australia National Telephone Number 1300 (694 583) New Zealand Telephone Number 64 3 344 5913  
Artusi showroom hours: Tuesday to Friday - 9am-5pm, Saturday - 10am-4pm, Sunday and Monday - closed  
\* Melbourne showroom hours: Tuesday to Saturday - 10am-4pm

[artusi.com.au](https://www.artusi.com.au)

**NSW & ACT (Head Office)**  
48-50 Moore Street  
Leichhardt

**VIC & SA**  
2R/131 Church Street  
Hawthorn

**QLD**  
1/42 Cavendish Road  
Coorparoo

**WA & NT**  
Unit 10/55 Howe Street  
Osborne Park

**New Zealand**  
PO Box 11.160  
Sockburn Christchurch