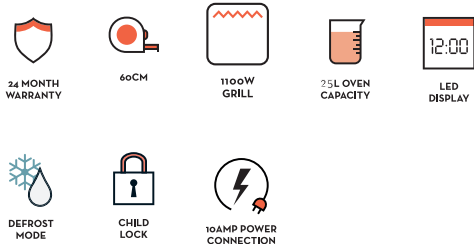


BUILT-IN MICROWAVE WITH TRIM & GRILL

MODEL AMG28TKB/1

 **ARTUSI**
THE ART OF LIVING



PRODUCT INFORMATION

FINISH

- Black glass with matt black trim kit

FEATURES

- Silver housing cabinet
- 900W microwave power
- 1100W grill power
- 8 microwave power levels
- 3 grill power levels
- quick start
- LED display
- push handle
- push down control knob

CAPACITY & INTERIOR

- 25L cavity size
- Stainless steel cavity
- cavity size: 32.5W x 35D x 21H cm

SAFETY

- child safety lock

FUNCTIONS

- 8 auto-cooking options with automatic weight settings - pizza, meat, vegetables, pasta, potato, fish, beverage, popcorn
- Multi-section cooking
- combi microwave + grill cooking
- defrost by time & weight

ACCESSORIES

- 315mm turntable
- grill insert



EAN 9347777004048

AR27042021

DISCLAIMER

Eurolinx PTY LTD, is continually seeking ways to improve the design specifications, aesthetics and production techniques of its products. As a result alterations to our products and designs take place continually. Whilst every effort is made to produce information and literature that is up to date, this brochure should not be regarded as an infallible guide to the current specifications, nor does it constitute an offer for the sale of any particular product. Product dimensions indicated in our literature is indicative only. Actual product only should be used to define dimension cut outs. Distributors, and retailers are not agents of Eurolinx and are not authorized to bind Eurolinx by any express or implied undertaking or representation.

FOLLOW US ON:  [.artusi_kitchen_laundry_outdoor](https://www.instagram.com/artusi_kitchen_laundry_outdoor)

Australia National Telephone Number 1300 MYILVE (694 583) New Zealand Telephone Number 0508 458 369
ILVE showrooms are open daily from 9am-5pm and Saturdays 10am-4pm

[artusi.com.au](https://www.artusi.com.au)

NSW & ACT (Head Office)
48-50 Moore Street
Leichhardt
F 02 8569 4699

Victoria
2r/131 Church Street
Hawthorn

QLD
1/42 Cavendish Road
Coorparoo

WA & NT
Unit 10/55 Howe Street
Osborne Park

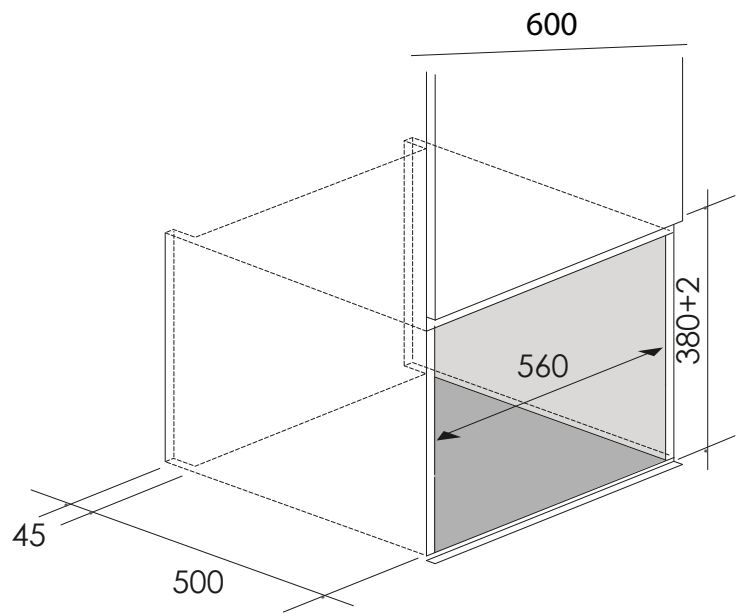
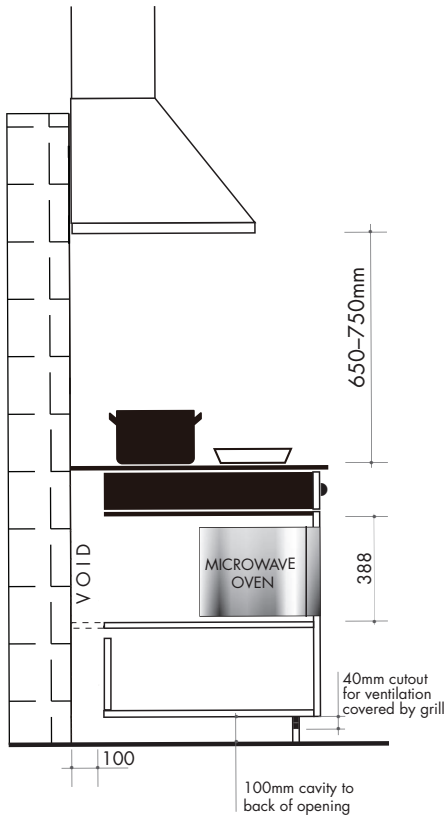
New Zealand
PO Box 11.160
Sockburn Christchurch

BUILT-IN MICROWAVE WITH TRIM & GRILL

MODEL AMG28TKB/1

ARTUSI
THE ART OF LIVING

TECHNICAL DIAGRAM



NB: drawings are not to scale — they are to be used for detailed installation instructions, please refer to user guide.

EAN 9347777004048

AR27042021

DISCLAIMER

Eurolinx PTY LTD, is continually seeking ways to improve the design specifications, aesthetics and production techniques of its products. As a result alterations to our products and designs take place continually. Whilst every effort is made to produce information and literature that is up to date, this brochure should not be regarded as an infallible guide to the current specifications, nor does it constitute an offer for the sale of any particular product. Product dimensions indicated in our literature is indicative only. Actual product only should be used to define dimension cut outs. Distributors, and retailers are not agents of Eurolinx and are not authorized to bind Eurolinx by any express or implied undertaking or representation.

AMG28TKB1 28L Black Microwave trim with Grill
595W x 400D x 388H mm
10 AMP plug & lead
1m power cord
18.5kg

FOLLOW US ON:  [.artusi_kitchen_laundry_outdoor](https://www.instagram.com/artusi_kitchen_laundry_outdoor)

Australia National Telephone Number 1300 MYILVE (694 583) New Zealand Telephone Number 0508 458 369
ILVE showrooms are open daily from 9am-5pm and Saturdays 10am-4pm

artusi.com.au

NSW & ACT (Head Office)
48-50 Moore Street
Leichhardt
F 02 8569 4699

Victoria
2r/131 Church Street
Hawthorn

QLD
1/42 Cavendish Road
Coorparoo

WA & NT
Unit 10/55 Howe Street
Osborne Park

New Zealand
PO Box 11.160
Sockburn Christchurch