

MODEL ADW7002W



FREESTANDING DISHWASHER



PRODUCT INFORMATION

FEATURES

- 13 place settings
- Brilliant White
- 8 wash programs — Auto Delicate, Auto Normal, Auto Intensive, Quick, ECO, Super, Hygiene/Extra Hygiene
- 6 temperature settings (Auto, 30, 40, 50, 60, 70°C)
- turbidity sensor (assesses water quality)
- removable worktop for underbench installation
- overflow and leakage protection
- adjustable upper basket (when empty)
- foldable racks on lower basket
- removable cutlery basket
- fully electronic controls
- hidden heating element
- heater protection
- start/pause button
- delay timer option
- turbo drying system
- half-load option
- child safety lock
- LED display
- metal filter
- 49 dBA



Program	Cycle Selection	Running time (min)
AUTO DELICATE	Automatically adjusts the washing time with temperature and amount of water by determining the soil level of dishes	64–95
AUTO NORMAL		100–132
AUTO INTENSIVE		111–185
QUICK	coffee, milk, tea, cold meats, vegetables not kept for long	30
ECO	coffee, milk, tea, cold meats, vegetables not kept for long	143
SUPER	soups, sauces, pasta, eggs, pilaf, potato and oven dishes, fried foods	55
HYGIENE	dishes with heavy soiling that have been sitting for a long time, or requiring hygienic washing	124
SUPER HYGIENE	dishes with dense dirt that have been sitting for a long time, or requiring hygienic washing	169

EAN 9347777002143

AR220119

DISCLAIMER

Eurolinx PTY LTD, is continually seeking ways to improve the design specifications, aesthetics and production techniques of its products. As a result alterations to our products and designs take place continually. Whilst every effort is made to produce information and literature that is up to date, this brochure should not be regarded as an infallible guide to the current specifications, nor does it constitute an offer for the sale of any particular product. Product dimensions indicated in our literature is indicative only. Actual product only should be used to define dimension cut outs. Distributors, and retailers are not agents of Eurolinx and are not authorized to bind Eurolinx by any express or implied undertaking or representation.

FOLLOW US ON: [instagram.com/artusi_appliances](https://www.instagram.com/artusi_appliances)

www.linkedin.com/company/eurolinx-pty-ltd-t-a-llve/

Australia National Telephone Number 1300 (694 583) New Zealand Telephone Number 64 3 344 5913
 Artusi showroom hours: Tuesday to Friday - 9am-5pm, Saturday - 10am-4pm, Sunday and Monday - closed
 * Melbourne showroom hours: Tuesday to Saturday - 10am-4pm

artusi.com.au

NSW & ACT (Head Office)
 48-50 Moore Street
 Leichhardt
 F 02 8569 4699

VIC & SA
 1211 Toorak Road
 Camberwell
 F 03 9809 2155

QLD
 1/42 Cavendish Road
 Coorparoo
 F 07 3397 0850

WA & NT
 Unit 10/55 Howe Street
 Osborne Park
 F 08 9201 9188

TAS
 3 Pear Avenue
 Derwent Park
 P 03 6272 7386

New Zealand
 PO Box 11,160
 Sockburn Christchurch
 F 03 344 5906

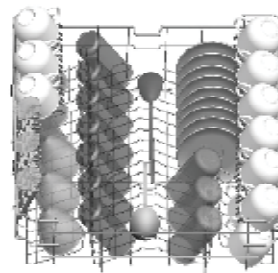
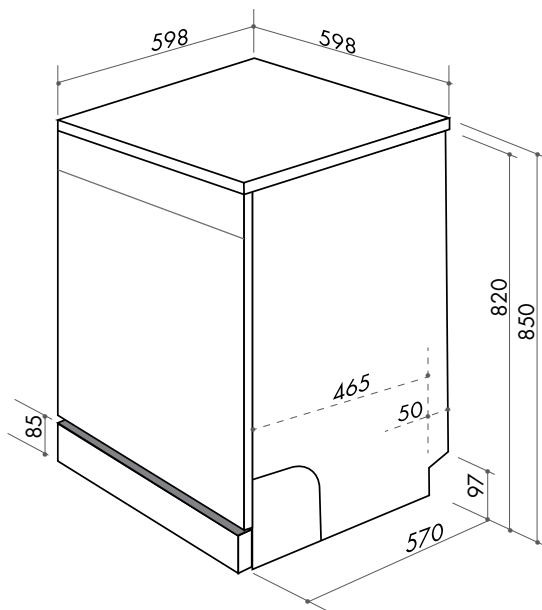
MODEL ADW7002W



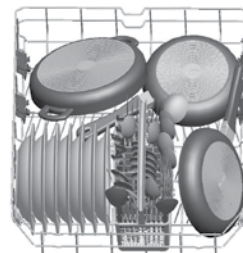
FREESTANDING DISHWASHER

MADE
IN EUROPE24 MONTH
WARRANTYPLACE
SETTINGS8 WASH
PROGRAMSCHILD
LOCKLOW
NOISE

TECHNICAL DIAGRAM



UPPER BASKET



LOWER BASKET

NB: drawings are not to scale — they are to be used for detailed installation instructions, please refer to user guide.

EAN 9347777002143

AR220119

DISCLAIMER


Eurolinx PTY LTD, is continually seeking ways to improve the design specifications, aesthetics and production techniques of its products. As a result alterations to our products and designs take place continually. Whilst every effort is made to produce information and literature that is up to date, this brochure should not be regarded as an infallible guide to the current specifications, nor does it constitute an offer for the sale of any particular product. Product dimensions indicated in our literature is indicative only. Actual product only should be used to define dimension cut outs. Distributors, and retailers are not agents of Eurolinx and are not authorized to bind Eurolinx by any express or implied undertaking or representation.

ADW7002W Freestanding dishwasher

Size 598W x 598D x 850H mm

10 amp, 3-pin plug

FOLLOW US ON:  [instagram.com/artusi_appliances](https://www.instagram.com/artusi_appliances)

 www.linkedin.com/company/eurolinx-pty-ltd-t-a-lve/

Australia National Telephone Number 1300 (694 583) New Zealand Telephone Number 64 3 344 5913
 Artusi showroom hours: Tuesday to Friday - 9am-5pm, Saturday - 10am-4pm, Sunday and Monday - closed
 * Melbourne showroom hours: Tuesday to Saturday - 10am-4pm

[artusi.com.au](https://www.artusi.com.au)

NSW & ACT (Head Office)
 48-50 Moore Street
 Leichhardt
 F 02 8569 4699

VIC & SA
 1211 Toorak Road
 Camberwell
 F 03 9809 2155

QLD
 1/42 Cavendish Road
 Coorparoo
 F 07 3397 0850

WA & NT
 Unit 10/55 Howe Street
 Osborne Park
 F 08 9201 9188

TAS
 3 Pear Avenue
 Derwent Park
 P 03 6272 7386

New Zealand
 PO Box 11,160
 Sockburn Christchurch
 F 03 344 5906