

104CM BUILT-IN BARBECUE

MODEL ABBQ1MB

*Available to select retailers



MADE
IN ITALY



24 MONTH
WARRANTY



104CM



4
GAS
BURNERS



FLAME FAILURE
DEVICE



INTEGRATED
IGNITION

PRODUCT INFORMATION

FINISH

- Meticulous design with seamless finish
- finished in matt black enamel

FEATURES

- Approved for use in enclosed entertaining & dining spaces when installed with the flat BBQ lid
- Automatic Piezo battery ignition with concealed D cell battery compartment
- 1 x removable grease container for oil and residue within the cooking area
- 1 x removable main catcher at the front of the grills with a drain system
- Side control knobs
- Oil/fat reservoir
- Available in natural gas or LPG pre-set

HOTPLATES

- Interchangeable hotplate configuration for different cooking styles
- 2 x solid cast iron removable grill plates
- 1 x cast iron removable flat hotplate
- Hotplate and grills include self locking notches
- Anti-warp engineered hotplate

BURNERS

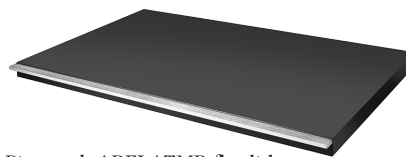
- Stainless steel burners with flame failure
- Total burner power output 14kW (European tested)

AVAILABLE COMPANION PRODUCTS

- ABHOODMB - Roasting dome BBQ with thermostat
- ABFLATMB - Slimline Flat BBQ lid
- BBQCOVERH - Canvas cover for ABHOODMB
- BBQCOVERF - Canvas cover for ABFLATMB



Pictured: ABBQ1MB built-in BBQ with ABHOODMB hooded lid



Pictured: ABFLATMB flat lid



ABBQ1MB: EAN 9347777003461

ABHOODMB: EAN 9347777003478

ABFLATMB: EAN 9347777003485

PAGE 1 OF 3
AR12082021

DISCLAIMER

Eurolinx PTY LTD, is continually seeking ways to improve the design specifications, aesthetics and production techniques of its products. As a result alterations to our products and designs take place continually. Whilst every effort is made to produce information and literature that is up to date, this brochure should not be regarded as an infallible guide to the current specifications, nor does it constitute an offer for the sale of any particular product. Product dimensions indicated in our literature is indicative only. Actual product only should be used to define dimension cut outs. Distributors, and retailers are not agents of Eurolinx and are not authorized to bind Eurolinx by any express or implied undertaking or representation.

FOLLOW US ON:  [instagram.com/artusi_appliances](https://www.instagram.com/artusi_appliances)

 www.linkedin.com/company/eurolinx-pty-ltd-t-a-llve/

Australia National Telephone Number 1300 (694 583) New Zealand Telephone Number 64 3 344 5913
Artusi showroom hours: Tuesday to Friday - 9am-5pm, Saturday - 10am-4pm, Sunday and Monday - closed
* Melbourne showroom hours: Tuesday to Saturday - 10am-4pm

[artusi.com.au](https://www.artusi.com.au)

NSW & ACT (Head Office)
48-50 Moore Street
Leichhardt
F 02 8569 4699

QLD
1/42 Cavendish Road
Coorparoo
F 07 3397 0850

WA & NT
Unit 10/55 Howe Street
Osborne Park
F 08 9201 9188

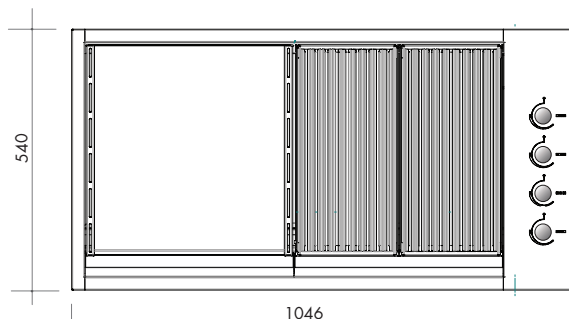
New Zealand
PO Box 11,160
Sockburn Christchurch
F 03 344 5906

104CM BUILT-IN BARBECUE

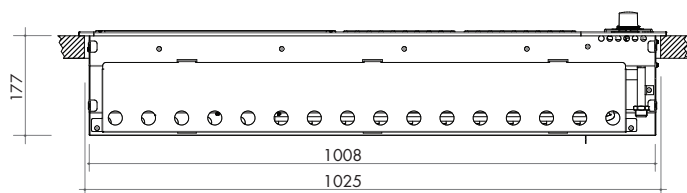
MODEL ABBQ1MB

*Available to select retailers

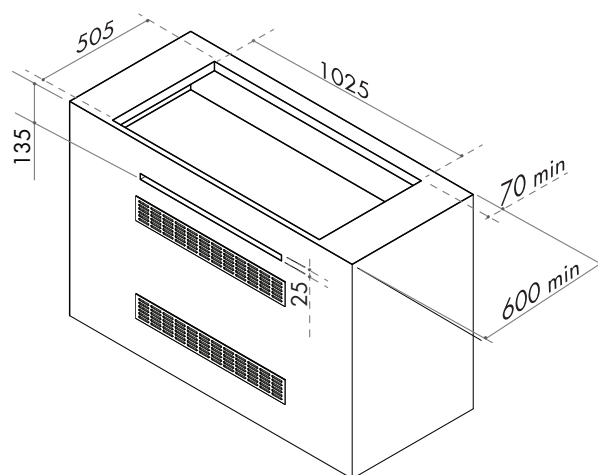
TECHNICAL DIAGRAM



TOP VIEW ABBQ1MB



BACK VIEW ABBQ1MB



*Please note that installation specifications and requirements differ depending on if the unit is installed indoors or outdoors. Please refer to the relevant installation manual for full details

NB: drawings are not to scale — they are to be used for detailed installation instructions, please refer to user guide.

ABBQ1MB: EAN 9347777003461

ABHOODMB: EAN 9347777003478

ABFLATMB: EAN 9347777003485

AR12082021 PAGE 2 OF 3

ABBQ1MB -Built-in barbecue
Size 1046W x 540D x 177H
CUTOUT: 1025W x 505D

DISCLAIMER

Eurolinx PTY LTD, is continually seeking ways to improve the design specifications, aesthetics and production techniques of its products. As a result alterations to our products and designs take place continually. Whilst every effort is made to produce information and literature that is up to date, this brochure should not be regarded as an infallible guide to the current specifications, nor does it constitute an offer for the sale of any particular product. Product dimensions indicated in our literature is indicative only. Actual product only should be used to define dimension cut outs. Distributors, and retailers are not agents of Eurolinx and are not authorized to bind Eurolinx by any express or implied undertaking or representation.

FOLLOW US ON:  [instagram.com/artusi_appliances](https://www.instagram.com/artusi_appliances)

 www.linkedin.com/company/eurolinx-pty-ltd-t-a-llve/

Australia National Telephone Number 1300 (694 583) New Zealand Telephone Number 64 3 344 5913
Artusi showroom hours: Tuesday to Friday - 9am-5pm, Saturday - 10am-4pm, Sunday and Monday - closed
* Melbourne showroom hours: Tuesday to Saturday - 10am-4pm

[artusi.com.au](https://www.artusi.com.au)

NSW & ACT (Head Office)
48-50 Moore Street
Leichhardt
F 02 8569 4699

QLD
1/42 Cavendish Road
Coorparoo
F 07 3397 0850

WA & NT
Unit 10/55 Howe Street
Osborne Park
F 08 9201 9188

New Zealand
PO Box 11,160
Sockburn Christchurch
F 03 344 5906

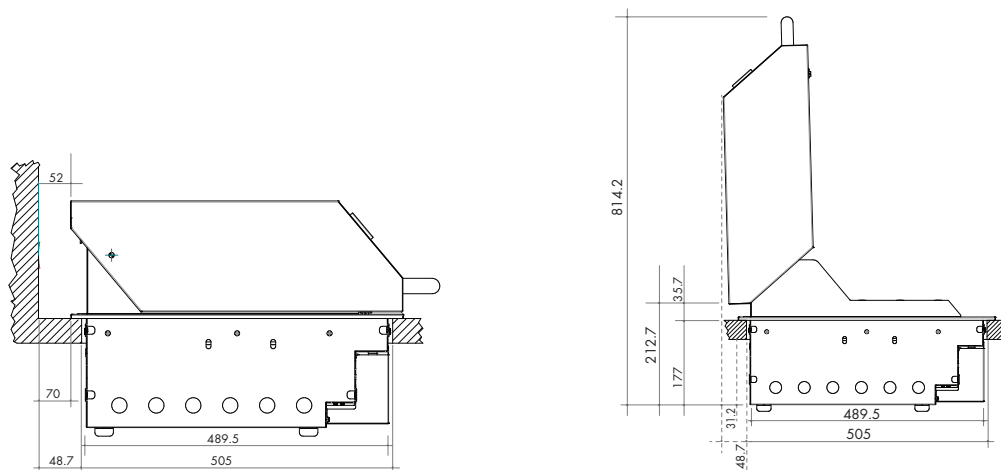
104CM BUILT-IN BARBECUE

MODEL ABBQ1MB

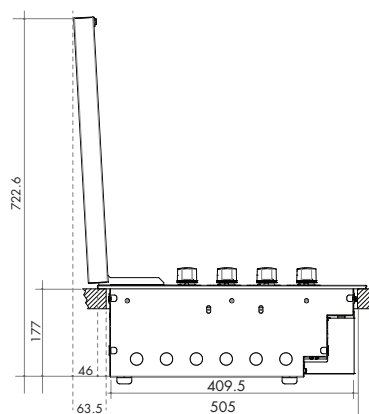
*Available to select retailers

TECHNICAL DIAGRAM

ABHOODMB Dimensions



ABFLATMB Dimensions



NB: drawings are not to scale — they are to be used for detailed installation instructions, please refer to user guide.

ABBQ1MB: EAN 9347777003461

ABHOODMB: EAN 9347777003478

ABFLATMB: EAN 9347777003485

AR12082021 PAGE 3 OF 3

DISCLAIMER

Eurolinx PTY LTD, is continually seeking ways to improve the design specifications, aesthetics and production techniques of its products. As a result alterations to our products and designs take place continually. Whilst every effort is made to produce information and literature that is up to date, this brochure should not be regarded as an infallible guide to the current specifications, nor does it constitute an offer for the sale of any particular product. Product dimensions indicated in our literature is indicative only. Actual product only should be used to define dimension cut outs. Distributors, and retailers are not agents of Eurolinx and are not authorized to bind Eurolinx by any express or implied undertaking or representation.

ABBQ1MB -Built-in barbecue
ABHOODMB & ABFLATMB Dimensions

FOLLOW US ON:  [instagram.com/artusi_appliances](https://www.instagram.com/artusi_appliances)

 www.linkedin.com/company/eurolinx-pty-ltd-t-a-lve/

Australia National Telephone Number 1300 (694 583) New Zealand Telephone Number 64 3 344 5913
Artusi showroom hours: Tuesday to Friday - 9am-5pm, Saturday - 10am-4pm, Sunday and Monday - closed
* Melbourne showroom hours: Tuesday to Saturday - 10am-4pm

[artusi.com.au](https://www.artusi.com.au)

NSW & ACT (Head Office)
48-50 Moore Street
Leichhardt
F 02 8569 4699

QLD
1/42 Cavendish Road
Coorparoo
F 07 3397 0850

WA & NT
Unit 10/55 Howe Street
Osborne Park
F 08 9201 9188

New Zealand
PO Box 11,160
Sockburn Christchurch
F 03 344 5906