

omega.Microwave ovens.

30 litre microwave oven

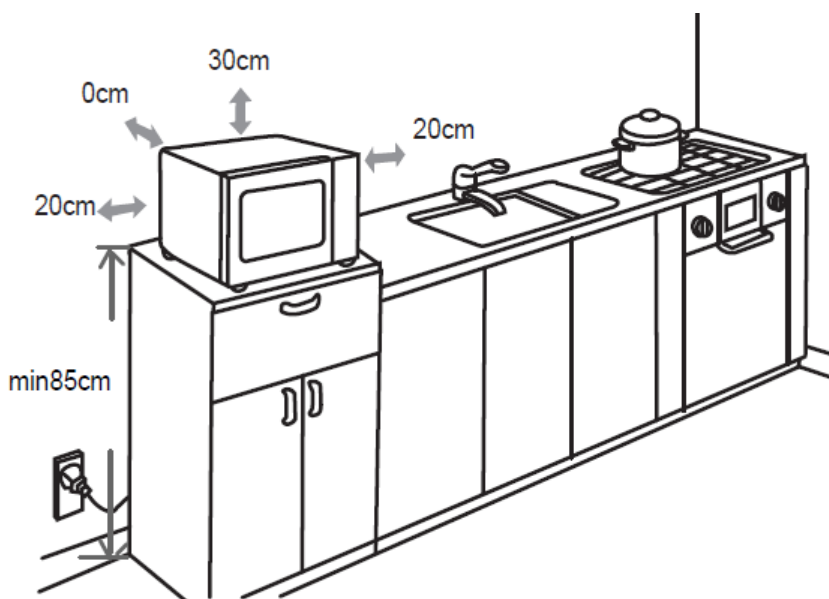
OM30X



Finish	Stainless steel interior and exterior
Installation type	Integrated or freestanding
Capacity	30 litre
Turntable	315 mm diameter
Warranty	24 months parts and labour (back to base)

Functions	
Control type	Digital
Output	900W
Power levels	5
Digital clock	Yes (24hr)
Time/weight defrost	Yes, from 100g to 2kg
Auto menus	Yes (8)
Multi stage cookery	Yes
Speedy cook	Yes (one touch 30 seconds)
Safety	
Child lock	Yes, electronic
Finish	
Optional	Stainless steel trim kit OTK30MX
Accessories	
Glass tray	Yes

Product details	
Overall dimensions (mm)	326h x 520w x 430d
Net weight	15.2kg
Handle	Metal rod handle
Connection	
Connection	240V, 50 Hz – 10 amp connection
Power cord/plug supplied	Yes



NB: Drawings are not to scale - they are to assist only.

WARNING: technical specifications and product sizes can be varied by the manufacturer without notice.
Cut outs for appliances should only be by physical product measurements. The above information is indicative only.

omega. Always serves you well.