



INSTALLATION INSTRUCTIONS

COMMERCIAL WASHER

INSTRUCTIONS D'INSTALLATION

LAVEUSE COMMERCIALE

INSTRUCCIONES DE INSTALACIÓN

LAVADORA COMERCIAL

TABLE OF CONTENTS

	Page
Washer Safety.....	2
Tools & Parts.....	3
Dimensions	3
Location Requirements.....	4
Installation instructions	6
Level Washer.....	5
Connect Drain Hose.....	6
Drain System.....	6
Connect Inlet Hoses.....	7
Electrical Requirements.....	8
Complete Installation	9
Installing Coin Slide and Coin Box.....	10
Typical Full Load Sizes.....	10
Washer Maintenance.....	10
If You Need Assistance	11
Alternate Parts & Accessories	11
Electronic Controls Set-Up Instructions	12

TABLE DES MATIÈRES

	Page
Sécurité de la laveuse	16
Outils et pièces.....	17
Dimensions	17
Exigences d'emplacement	18
Instructions d'installation	19
Réglage de l'aplomb de la laveuse	20
Raccordement du tuyau de vidange..	20
Système de vidange	21
Raccordement des tuyaux d'alimentation en eau	22
Spécifications électriques	23
Fin de l'installation	24
Installation de la glissière et de la boîte à monnaie	24
Tailles typiques d'une pleine charge..	24
Entretien de la laveuse.....	25
En cas de besoin d'assistance.....	25
Pièces supplémentaires et accessoires	25
Instructions de configuration des commandes électroniques.....	26

ÍNDICE

	Página
Seguridad de la lavadora	30
Herramientas y piezas	31
Dimensiones	31
Requisitos de la ubicación	32
Instrucciones de instalación	33
Nivelación de la lavadora.....	34
Conecte la manguera de desagüe.....	34
Sistema de desagüe.....	35
Conecte las mangueras de entrada ...	36
Requisitos eléctricos	37
Instalación completa.....	38
Instalación del tragamonedas y la caja de monedas	38
Tamaños de cargas típicas de volumen completo.....	38
Mantenimiento de la lavadora.....	39
Si necesita asistencia	39
Piezas y accesorios adicionales	39
Instrucciones para la configuración de los controles electrónicos.....	40

WASHER SAFETY

Your safety and the safety of others are very important.

We have provided many important safety messages in this manual and on your appliance. Always read and obey all safety messages.



This is the safety alert symbol.

This symbol alerts you to potential hazards that can kill or hurt you and others.

All safety messages will follow the safety alert symbol and either the word "DANGER" or "WARNING." These words mean:

⚠ DANGER

You can be killed or seriously injured if you don't immediately follow instructions.

⚠ WARNING

You can be killed or seriously injured if you don't follow instructions.

All safety messages will tell you what the potential hazard is, tell you how to reduce the chance of injury, and tell you what can happen if the instructions are not followed.

IMPORTANT SAFETY INSTRUCTIONS

WARNING: To reduce the risk of fire, electric shock, or injury to persons when using your appliance, follow basic precautions, including the following:

- Read all instructions before using the washer.
- Do not wash articles that have been previously cleaned in, washed in, soaked in, or spotted with gasoline, dry-cleaning solvents, other flammable or explosive substances, as they give off vapors that could ignite or explode.
- Do not add gasoline, dry-cleaning solvents, or other flammable or explosive substances to the wash water. These substances give off vapors that could ignite or explode.
- Under certain conditions, hydrogen gas may be produced in a hot-water system that has not been used for 2 weeks or more. **HYDROGEN GAS IS EXPLOSIVE.** If the hot-water system has not been used for such a period, before using a washing machine, turn on all hot-water faucets and let the water flow from each for several minutes. This will release any accumulated hydrogen gas. As the gas is flammable, do not smoke or use an open flame during this time.
- Do not allow children to play on or in the washer. Close supervision of children is necessary when the washer is used near children.
- Before the washer is removed from service or discarded, remove the door or lid.
- Do not reach into the washer if the drum, tub or agitator is moving.
- Do not install or store this washer where it will be exposed to the weather.
- Do not tamper with controls.
- Do not repair or replace any part of the washer or attempt any servicing unless specifically recommended in this manual or in published user-repair instructions that you understand and have the skills to carry out.
- See "Electrical Requirements" located in the installation instructions for grounding instructions.
- Do not wash water-resistant or water repellent-type clothing. Failure to closely follow these instructions may result in an abnormal vibrating and out-of-balance condition that could result in physical injury, property damage, and/or appliance damage.

SAVE THESE INSTRUCTIONS

FOR YOUR SAFETY

Do not store or use gasoline or other flammable vapors and liquids in the vicinity of this or any other appliance.

TOOLS & PARTS

Tools Needed:

Parts Supplied:



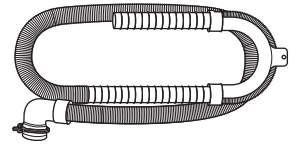
Level



Pliers



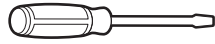
Water Inlet Hoses (2)



Drain Hose with Clamp, U-Form, and Cable Tie



9/16" (14 mm)
Open-End Wrench



Flat-Blade Screwdriver

Optional tools:



Flashlight



Bucket



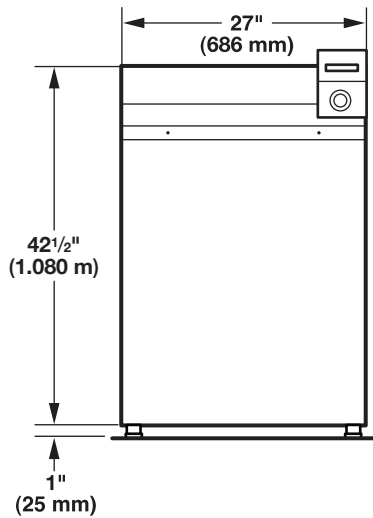
Inlet Hose Washers (4)



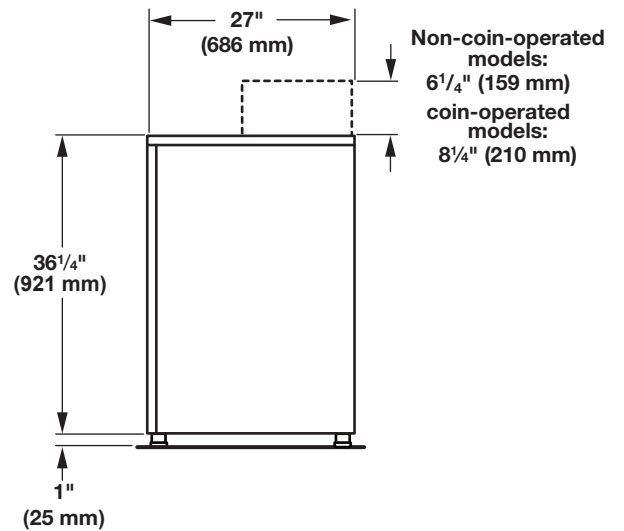
Utility Knife

DIMENSIONS

Front View



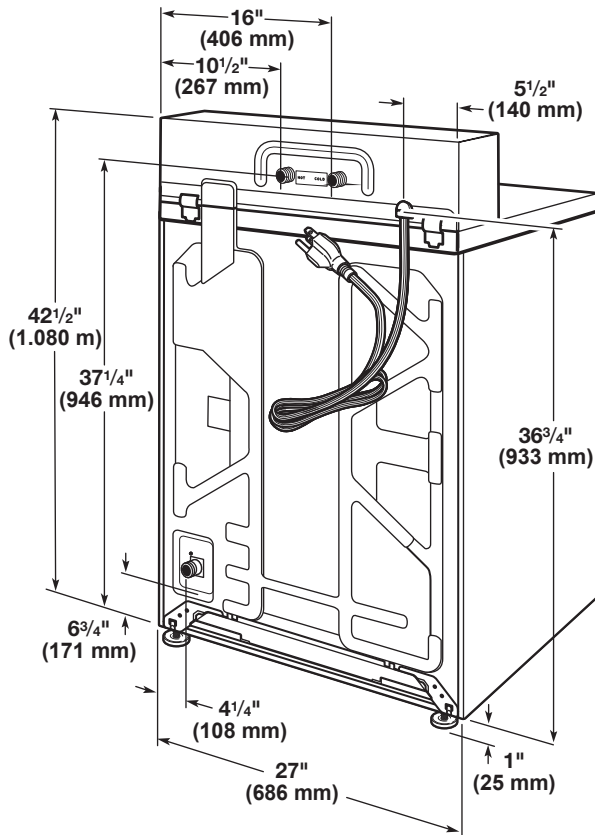
Side View



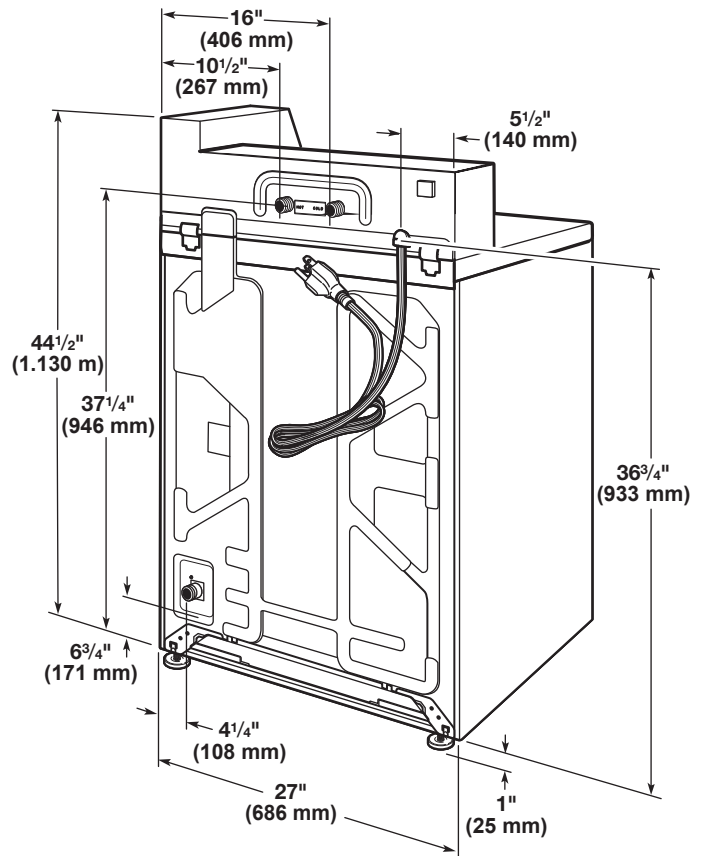
DIMENSIONS

Back View

Non-coin-operated models



Coin-operated models



LOCATION REQUIREMENTS

Selecting the proper location for your washer improves performance and minimizes noise and possible washer "walk." Your washer can be installed in a basement, laundry room, or recessed area. See "Drain System."

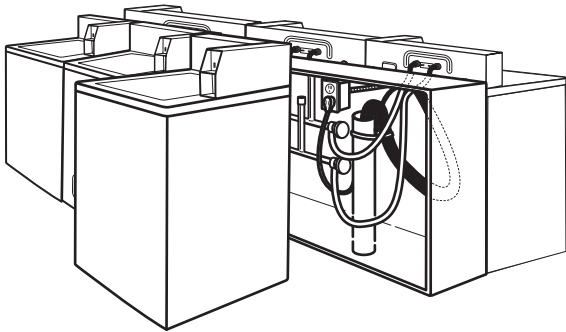
Companion appliance location requirements should also be considered.

IMPORTANT: Do not install or store the washer where it will be exposed to the weather. Do not store or operate the washer in temperatures at or below 32°F (0°C). Some water can remain in the washer and can cause damage in low temperatures. Proper installation is your responsibility.

You will need:

- A water heater set to 120°F (49°C).
- A grounded electrical outlet located within 4 ft. (1.2 m) of power cord on back of washer. See "Electrical Requirements."
- Hot and cold water faucets located within 4 ft. (1.2 m) of hot and cold water fill valves on washer, and water pressure of 20–100 psi (138–690 kPa). A pressure reduction valve should be used in the supply line where inlet pressure entering the building exceeds 100 PSI (690 kPa) to avoid damage to the washer mixing valve.
- Single washer installations require 12" (300 mm) minimum risers to provide an air cushion and avoid noise and damage to valves.
- A level floor with maximum slope of 1" (25 mm) under entire washer. Installing on carpet is not recommended.
- Floor must support washer's total weight (with water and load) of 315 lbs (143 kgs).
- A floor drain under the bulkhead. Prefabricated bulkheads with electrical outlets, water inlet lines, and drain facilities should be used only where local codes permit.

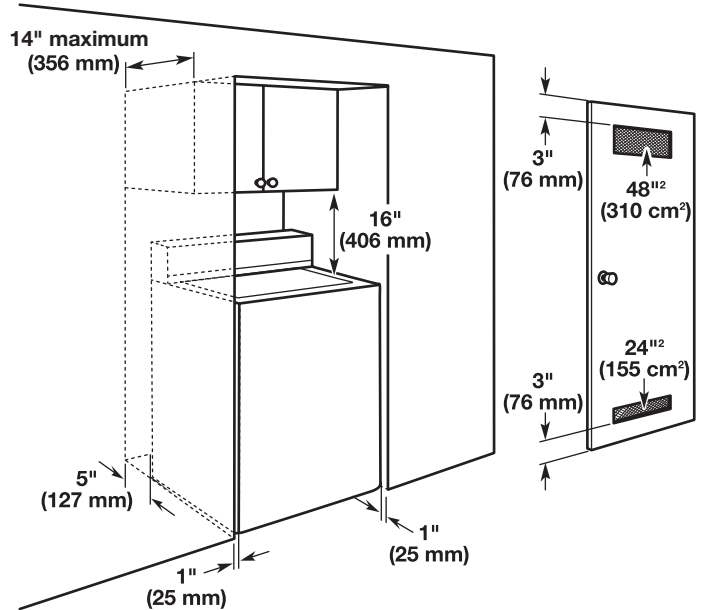
LOCATION REQUIREMENTS



Recessed Area or Closet Installation

This washer may be installed in a recessed area or closet. The installation dimensions shown are the minimum spaces allowable. Additional spacing should be considered for ease of installation and servicing. If closet door is installed, the minimum air openings in top and bottom of door are required. Louvered doors with air openings in top and bottom are acceptable. Companion appliance spacing should be considered.

Minimum installation spacing



INSTALLATION INSTRUCTIONS

⚠ WARNING

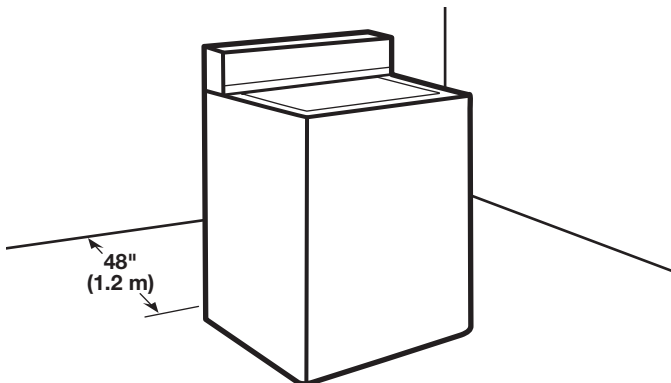
Excessive Weight Hazard

Use two or more people to move and install washer.
Failure to do so can result in back or other injury.

It is necessary to remove all shipping materials for proper operation and to avoid excessive noise from washer.

1. Move washer to within 4 ft (1.2 m) of its final location; it must be in a fully upright position.

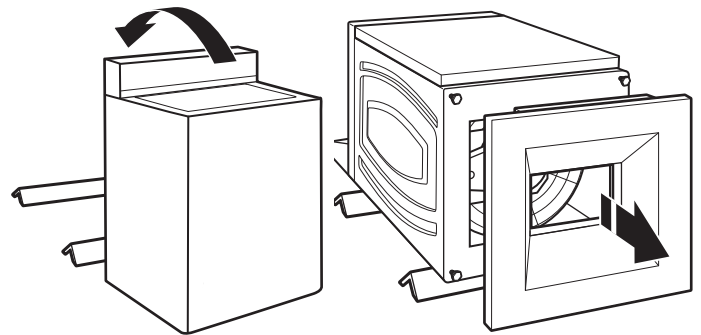
NOTE: To avoid floor damage, set washer onto cardboard before moving it and make sure lid is taped shut.



2. To avoid damaging floor, place cardboard supports from shipping carton on floor behind washer. Tip washer back and place on cardboard supports. Remove shipping base. Set washer upright.

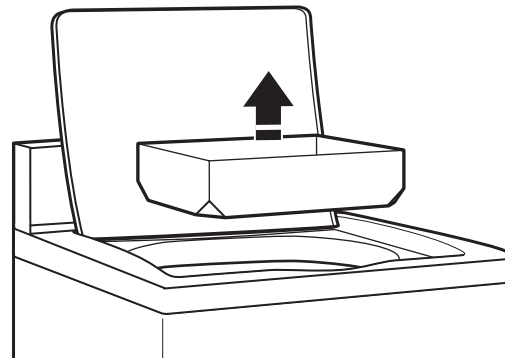
IMPORTANT: Removing shipping base is necessary for proper operation.

NOTE: Keep shipping base in case you need to move washer later.



3. Remove tape from washer lid, open lid, and remove cardboard packing tray from tub. Be sure to remove all parts from tray.

NOTE: Keep tray in case you need to move washer later.



LEVEL WASHER

IMPORTANT: Level washer properly to reduce excess noise and vibration.

⚠ WARNING

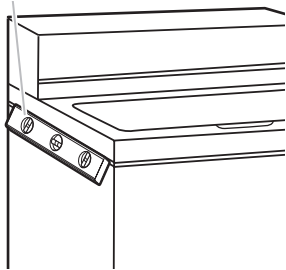
Excessive Weight Hazard

Use two or more people to move and install washer.

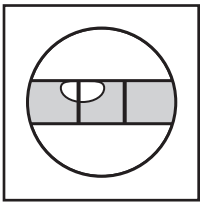
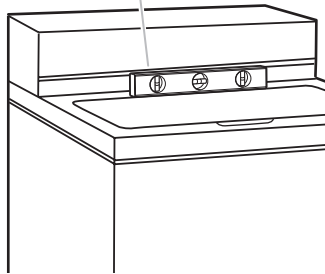
Failure to do so can result in back or other injury.

1. Move the washer to its final location. Place a level on top edges of washer. Use side seam as a guide to check levelness of sides. Check levelness of front using lid, as shown. Rock washer back and forth to make sure all four feet make solid contact with floor.

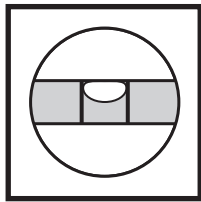
Place level here



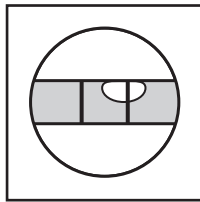
Place level here



Not Level



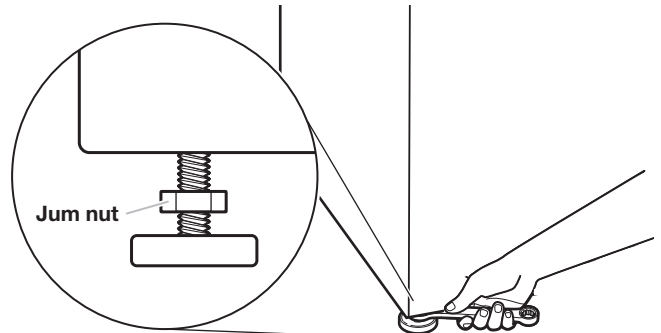
LEVEL



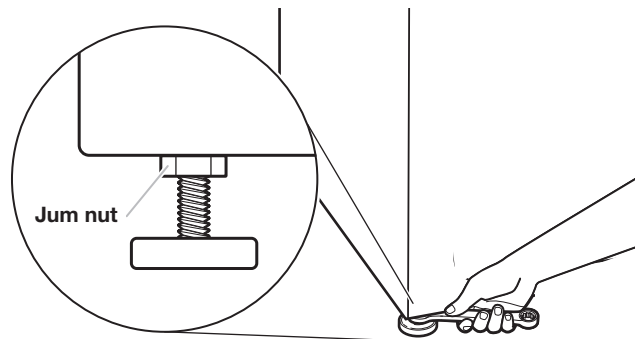
Not Level

2. Use a 9/16" or 14 mm open-end or adjustable wrench to turn jam nuts clockwise on feet until they are about 1/2" (13 mm) from the washer cabinet. Then turn the leveling foot clockwise to lower the washer or counterclockwise to raise the washer. Recheck levelness of washer and repeat as needed.

HELPFUL TIP: You may want to prop up front of washer about 4" (102 mm) with a wood block or similar object that will support weight of washer.



3. When washer is level, use a 9/16" or 14 mm open-end or adjustable wrench to turn jam nuts counterclockwise on leveling feet tightly against washer cabinet.

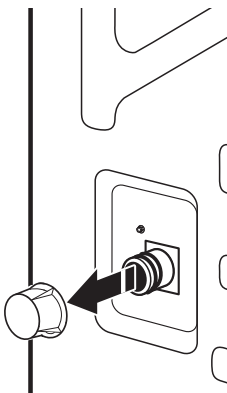


CONNECT DRAIN HOSE

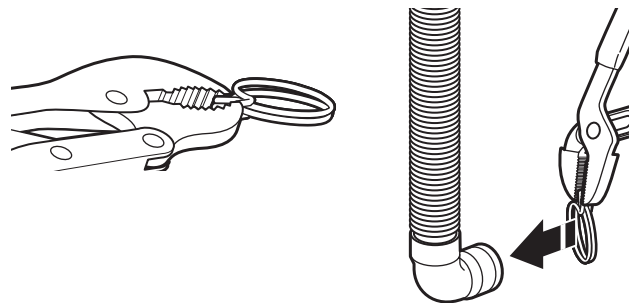
Proper routing of the drain hose avoids damage to your floor due to water leakage.

Remove drain hose from the washer basket

1. Remove cap from the washer drain port on the back of the washer.

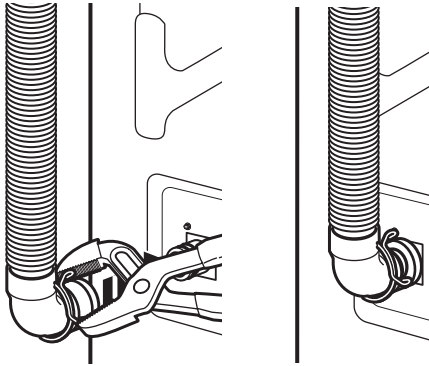


2. If clamp is not already in place on elbow end of drain hose, slide it over end as shown.



CONNECT DRAIN HOSE

3. Squeeze clamp with pliers and slide elbow end of drain hose onto washer drain port and secure with clamp.

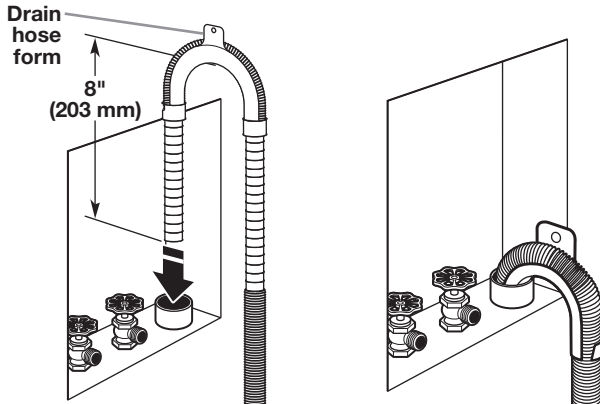


4. The washer drain system can be installed using a floor drain, wall standpipe, floor standpipe, or laundry tub.

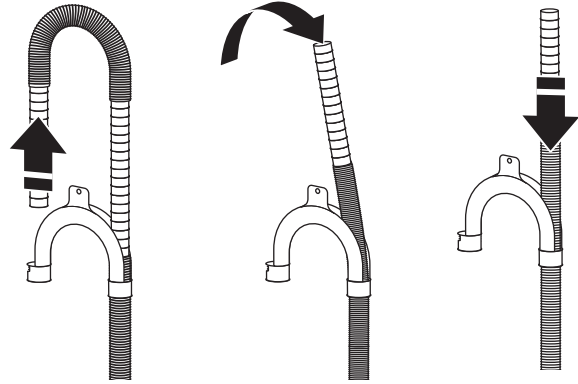
5. Place hose into standpipe (shown in picture) or over side of laundry tub.

IMPORTANT:

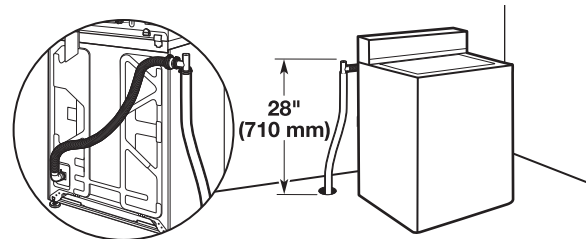
- Drain hose is not to exceed 8" (203 mm) into drain pipe; do not force excess hose into standpipe or lay on bottom of laundry tub. Drain hose form must be used.
- It is the responsibility of the installer to install and secure the drain hose into the provided plumbing/drain in a manner that will avoid the drain hose coming out of, or leaking from, the plumbing/drain.



6. For floor drain installations, you will need to remove the drain hose form from the end of the drain hose. You may need additional parts with separate directions. See "Tools and Parts."



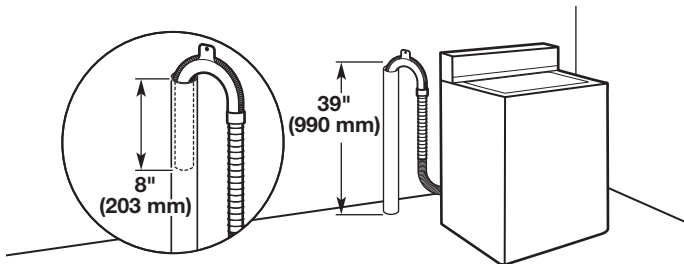
7. The floor drain system requires a siphon break that may be purchased separately. The siphon break (Part Number 285320) must be a minimum of 28" (710 mm) from the bottom of the washer. Additional hoses might be needed.



DRAIN SYSTEM

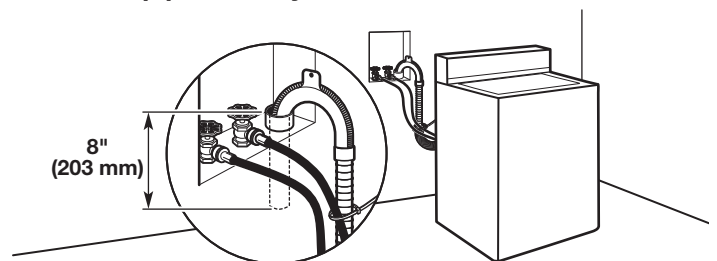
Drain system can be installed using a floor drain, wall standpipe, floor standpipe, or laundry tub. Select method you need.

Floor standpipe drain system



Minimum diameter for a standpipe drain: 2" (51 mm). Minimum carry-away capacity: 10 gal. (38 L) per minute. Top of standpipe must be at least 39" (990 mm) high; install no higher than 96" (2.44 m) from bottom of washer.

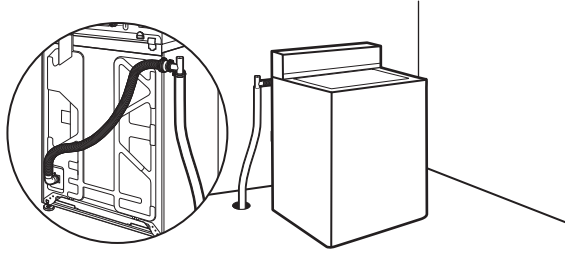
Wall standpipe drain system



See requirements for floor standpipe drain system.

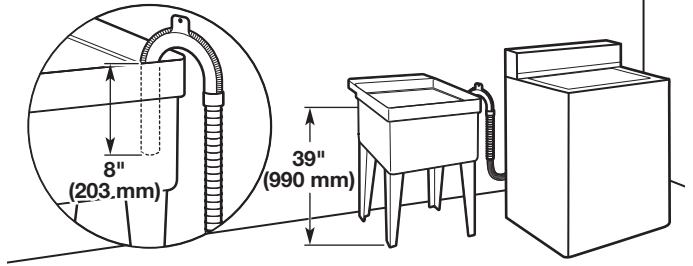
DRAIN SYSTEM

Floor drain system



Floor drain system requires a Siphon Break Kit (Part Number 285320). Minimum siphon break: 28" (710 mm) from bottom of washer. Additional hoses may be needed.

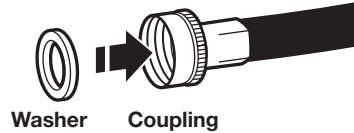
Laundry tub drain system



Minimum capacity: 20 gal. (76 L). The top of the laundry tub must be at least 39" (990 mm) above floor.

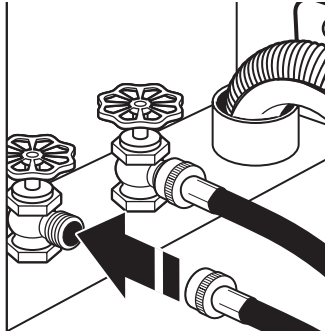
CONNECT INLET HOSES

Insert new hose washers (supplied) into each end of the inlet hoses. Firmly seat the washers in the couplings.

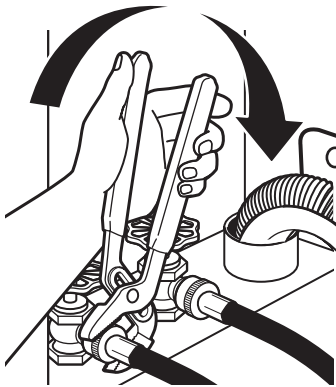


Connect Inlet Hoses to Water Faucets

1. Attach hose to hot water faucet. Screw on coupling until it is seated on washer. Repeat process for cold water.

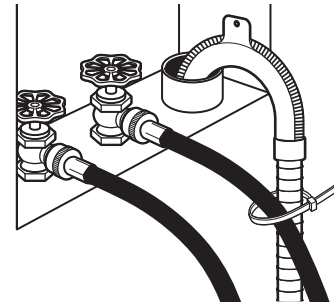


2. Use pliers to tighten the couplings an additional two-thirds turn.



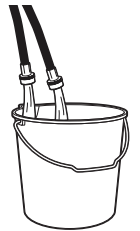
IMPORTANT: Do not overtighten or use tape or sealants on valve when attaching to faucets or washer. Damage can result.

3. Secure drain hose to inlet hose with zip strap.



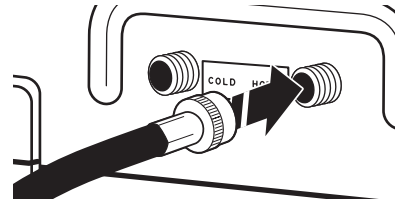
Clear Water Lines

- Run water through both faucets and inlet hoses, into a laundry tub, drainpipe, or bucket to get rid of particles in the water lines that might clog the inlet valve screens.
- Check the temperature of the water to make sure that the hot water hose is connected to the hot water faucet and that the cold water hose is connected to the cold water faucet.

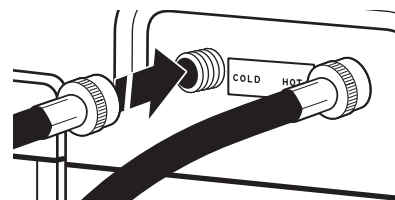


Connect Inlet Hoses to Washer

1. Attach cold water hose to cold water inlet valve marked with a blue ring. Screw coupling by hand until it is snug.

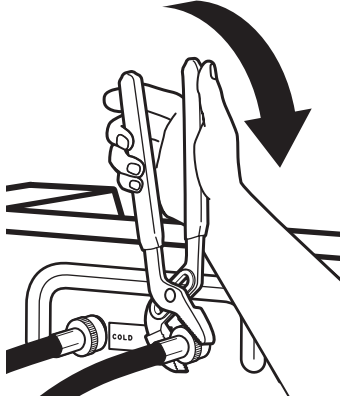


2. Attach hot water hose to hot water inlet valve marked with a red ring. Screw coupling by hand until it is snug.



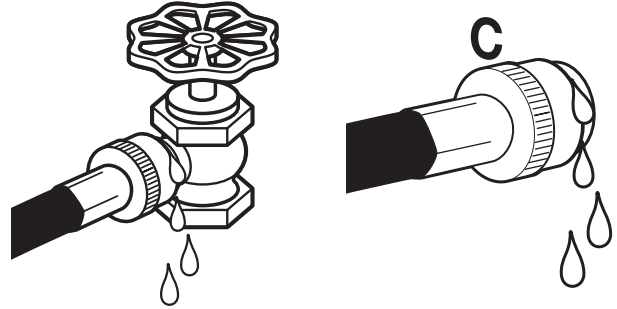
CONNECT INLET HOSES

3. Use pliers to tighten couplings an additional two-thirds turn.



NOTE: Do not overtighten. Damage to the valve can result.

4. Turn on water faucets to check for leaks. A small amount of water may enter washer. It will drain later.



NOTE: Replace inlet hoses after 5 years of use to reduce the risk of hose failure. Record hose installation or replacement dates on the hoses for future reference.

Periodically inspect and replace hoses if bulges, kinks, cuts, wear, or leaks are found.

ELECTRICAL REQUIREMENTS

⚠ WARNING



Electrical Shock Hazard

Plug into a grounded 3 prong outlet.

Do not remove ground prong.

Do not use an adapter.

Do not use an extension cord.

Failure to follow these instructions can result in death, fire, or electrical shock.

- A 120-volt, 60 Hz., AC-only, 15- or 20-amp, fused electrical supply is required. A time-delay fuse or circuit breaker is recommended. It is recommended that a separate circuit breaker serving only this appliance be provided.
- This washer is equipped with a power supply cord having a 3 prong grounding plug.
- To minimize possible shock hazard, the cord must be plugged into a mating, 3 prong, grounding-type outlet, grounded in accordance with local codes and ordinances. If a mating outlet is not available, it is the personal responsibility and obligation of the customer to have the properly grounded outlet installed by a qualified electrician.
- If codes permit and a separate ground wire is used, it is recommended that a qualified electrician determine that the ground path is adequate.
- Do not ground to a gas pipe.
- Check with a qualified electrician if you are not sure the washer is properly grounded.
- Do not have a fuse in the neutral or ground circuit.

GROUNDING INSTRUCTIONS

For a grounded, cord-connected washer:

This washer must be grounded. In the event of a malfunction or breakdown, grounding will reduce the risk of electrical shock by providing a path of least resistance for electric current. This washer is equipped with a cord having an equipment-grounding conductor and a grounding plug. The plug must be plugged into an appropriate outlet that is properly installed and grounded in accordance with all local codes and ordinances.

WARNING: Improper connection of the equipment-grounding conductor can result in a risk of electric shock. Check with a qualified electrician or serviceman if you are in doubt as to whether the appliance is properly grounded.

Do not modify the plug provided with the appliance – if it will not fit the outlet, have a proper outlet installed by a qualified electrician.

For a permanently connected washer:

This washer must be connected to a grounded metal, permanent wiring system, or an equipment grounding conductor must be run with the circuit conductors and connected to the equipment-grounding terminal or lead on the appliance.

COMPLETE INSTALLATION

⚠ WARNING



Electrical Shock Hazard

Plug into a grounded 3 prong outlet.

Do not remove ground prong.

Do not use an adapter.

Do not use an extension cord.

Failure to follow these instructions can result in death, fire, or electrical shock.

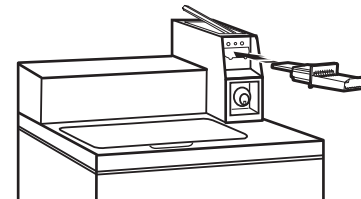
- Check electrical requirements. Be sure that you have the correct electrical supply and the recommended grounding method.
- Check that all parts are now installed. If there is an extra part, go back through steps to see what was skipped.
- Check that you have all of your tools.
- Check that shipping materials were completely removed from washer.
- Dispose of/recycle all packaging materials.
- Check that the water faucets are on.
- Check for leaks around faucets and inlet hoses.
- Remove film from console and any tape remaining on washer.
- Plug into a grounded outlet or connect power.
- Check that circuit breaker is not tripped or fuse is not blown.
- Start the washer using the payment system if used and check that the washer completes the cycle without a fault or water leak.

INSTALLING COIN SLIDE AND COIN BOX

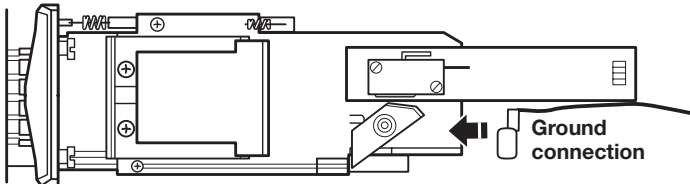
The coin slide mechanism, service door lock and key, and coin box lock and key are not included with some models, but can be obtained from the usual industry sources.

Remove the service door of the meter case by lifting it up at the back. Install the money-accepting device. (Refer to manufacturer's instructions for proper installation.)

A ground connection is needed for the coin slide, which can be made by connecting the available harness (W10846503) to the coin slide.



Install a lock and cam on the meter case service door. Install the coin vault with lock and key in the meter case opening.



TYPICAL FULL LOAD SIZES

Load Type	Loading Suggestion	Load Type	Loading Suggestion
Mixed Load	3 double sheets 4 pillowcases 6 pair shorts 8 T-shirts 2 shirts 2 blouses 8 handkerchiefs	Heavy Work Clothes	3 pair pants 3 shirts 1 coverall 4 pair jeans 1 overall
Permanent Press	2 double or 1 king size sheet 1 tablecloth 1 dress 1 blouse 2 slacks 3 shirts 2 pillowcases	Knits	3 blouses 4 slacks 6 shirts 4 tops 4 dresses

WASHER MAINTENANCE

Operating Tips

⚠️ WARNING



Fire Hazard

Never place items in the washer that are dampened with gasoline or other flammable fluids.

No washer can completely remove oil.

Do not dry anything that has ever had any type of oil on it (including cooking oils).

Doing so can result in death, explosion, or fire.

It is recommended that fiberglass items not be washed in coin-operated washers. If these items are washed in the washer, run the washer through a complete cycle to rinse any residue away that might be left in the washer.

Transporting Your Washer

- Shut off both water faucets. Disconnect and drain water inlet hoses.
- Disconnect drain from drain system and drain any remaining water into a pan or bucket. Disconnect drain hose from back of washer.
- Unplug power cord.
- Place inlet hoses and drain hose inside washer basket.
- Drape power cord over edge and into washer basket.
- Place packing tray from original shipping materials back inside washer and reuse shipping base to support the motor and tub. If you do not have original packaging, place heavy blankets or towels above basket, between the washer top and the tub ring. Close lid and place tape over lip and down the front of the washer. Keep lid taped until washer is moved to new location.

IF YOU NEED ASSISTANCE

Contact your authorized Commercial Laundry distributor. To locate your authorized Commercial Laundry distributor, or for web inquiries, visit www.MaytagCommercialLaundry.com.

If you cannot locate your distributor, the Commercial Laundry Support Center will answer any questions about operating or maintaining your washer not covered in the Installation Instructions.

Just dial **1-800-662-3587** — the call is toll free.

When you call, you will need the washer model number and serial number. Both numbers can be found on the serial-rating plate located on the washer.

ALTERNATE PARTS & ACCESSORIES

Your installation may require additional parts. If you are interested in purchasing one of the items listed here, call the toll-free number in the "If You Need Assistance" section.

If You Have:	You Will Need:
Overhead sewer	Standard 20 gal. (76 L) 39" (990 mm) tall drain tub or utility sink, sump pump and connectors (available from local plumbing suppliers)
1" (25 mm) standpipe	2" (51 mm) diameter to 1" (25 mm) diameter Standpipe Adapter Part Number 3363920 Connector Kit Part Number 285835
Lint clogged drain	Drain Protector Part Number 367031 Connector Kit Part Number 285835
Floor drain system	Siphon break, Part Number 285320 Connector Kit (x2) Part Number 285835 Extension Drain Hose Part Number 285863
Water faucets beyond reach of fill hoses	2 longer water fill hoses: 6 ft. (1.8 m) 90° bend hose Part Number 76314, 10 ft. (3.0 m) Part Number 350008
	Inlet hoses are sold as a pair in kit W10575888

If You Have:	You Will Need:
Accessories	
	Washer Drip Trays Part Number 8212526
	Fabric Softener Dispenser Kit Part Number 63594
Drain beyond reach of drain hose	4 ft. (1.2 m) Drain Hose Extension Part Number DRNEXT4

Whirlpool Corporation, Benton Harbor, Michigan 49022, U.S.A.

ELECTRONIC CONTROLS SET-UP INSTRUCTIONS

Basic Operation of Commercial Washer

- For additional information, see www.MaytagCommercialLaundry.com.

⚠ WARNING



Electrical Shock Hazard

Disconnect power before servicing.

Replace all parts and panels before operating.

Failure to do so can result in death or electrical shock.

IMPORTANT

Electrostatic Discharge (ESD) Sensitive Electronics

ESD problems are present everywhere. ESD may damage or weaken the electronic control assembly. The new control assembly may appear to work well after repair is finished, but failure may occur at a later date due to ESD stress.

- Use an anti-static wrist strap. Connect wrist strap to green ground connection point or unpainted metal in the washer.

-OR-

Touch your finger repeatedly to a green ground connection point or unpainted metal in the washer.

- Before removing the part from its package, touch the anti-static bag to a green ground connection point or unpainted metal in the washer.
- Avoid touching electronic parts or terminal contacts; handle electronic control assembly by edges only.
- When repackaging failed electronic control assembly in anti-static bag, observe above instructions.

Cold Start (initial first use)

Washer is programmed at the factory as follows:

- POWERWASH = 12 min agitation
MIXED = 9 min agitation
DELICATES = 6 min agitation
NORMAL ECO = 8 min agitation
- MIXED = 1 rinse and 2 minutes of rinse agitation
POWERWASH = 1 deep rinse with spin out
DELICATES = 1 deep rinse with spin out
NORMAL ECO = 1 spray rinse
- MIXED = \$2.00
DELICATES = \$1.75
POWERWASH = \$2.50
NORMAL ECO = \$1.75

Warm Start (after power failure)

After a delay of up to 8 seconds, the washer is restored to the portion of the cycle that existed at time of the power failure. To continue the cycle, press START.

Free Cycles

This is established by setting the cycle price to zero. When this happens, 'SELECT CYCLE' will appear and cycle price will show 0.00.

Debit Card Ready

This washer is debit card 'cable' ready. It will accept a variety of debit card systems, but does NOT come with a debit card reader. Refer to the debit card reader manufacturer for proper washer setup. In models converted to a Generation 1 debit card system, debit pulses represent the equivalent of one coin (coin 1).

Display

After the washer has been installed and plugged in, the display will show 'SYnC' for a few seconds, then '0 MINUTES'. Once the washer has been plugged in and the washer door opened and closed, the display will show the price. In washers set for free cycles, the display will flash 'SELECT CYCLE', and will display 'PRICE 0.00'.



GENERAL INFORMATION

Blank Display

This condition indicates the washer is inoperative.

'0 Minutes' showing in display

This condition indicates the washer cannot be operated. Coins dropped or debit inputs during this condition will be stored in escrow but cannot be used until normal operation is restored by opening and closing the door. If a door switch fails, it must be replaced before normal operation can be restored.

ELECTRONIC CONTROLS SET-UP INSTRUCTIONS

Control Set-Up Procedures

IMPORTANT: Read all instructions before operating.

The lower fabric setting key pads and the digital display are used to set up the controls. The display can contain four numbers and/or letters and a decimal point. These are used to indicate the set-up codes and related code values available for use in programming the washer.

How to use the key pads to program the controls

1. The POWERWASH key pad is used to adjust the values associated with set-up codes. Pressing the key pad will increment the value.
Rapid adjustment is possible by holding the key pad down.
2. The MIXED key pad will advance you through the set-up codes. Pressing the key pad will advance you to the next available set-up code. Holding the key pad down will automatically advance through the set-up codes at a rate of one (1) per second.
3. The DELICATES key pad is used to select or deselect options.
4. The TEMPERATURE key pad is used to decrease set-up code value.

Start Operating Set-Up

- PD Models: Insert access door key, turn, and lift to remove access door.
- PR models set for free vend: Refer to bottom of page 18 for entering operating setup.
- PR Models: Once the debit card reader is installed (according to the reader manufacturer's instructions), the set-up mode can be entered by inserting a set-up card (supplied by the reader manufacturer) into the card slot. If a manual set-up card is not available, manual set-up mode can be entered by removing connector AA1 on the circuit board.

IMPORTANT: The console must not be opened unless power is first removed from the washer. To access connector AA1:

- Unplug washer or disconnect power.
- Open console, disconnect plug on AA1, close console.
- Plug in washer or reconnect power.

The washer is now in the set-up mode.

Before proceeding, it is worth noting that, despite all of the options available, an owner can simply choose to uncrate a new commercial washer, hook it up, plug it in, and have a unit that operates.

Set-Up Codes

- The MIXED key pad will advance from code to code.
- The POWERWASH key pad will increase the code value.
- The DELICATES key pad will select or deselect options.
- The TEMPERATURE key pad will decrease the code value.

FOR PR MODELS: The set-up codes are the same as for the 'PD' models except where noted.

The set-up code is indicated by the one or two left-hand characters. The set-up code value is indicated by the two or three right-hand characters.

CODE	EXPLANATION
6.07 DELICATES	DELICATES Regular Cycle Vend Price - Increase or decrease between 0 and 200 by pressing the POWERWASH or TEMPERATURE key pad. Factory preset for 7 quarters = \$1.75. PR/PN MODELS ONLY: Factory preset for 0 quarters (Free Vend).

CODE	EXPLANATION
6.07 NORMAL ECO	NORMAL ECO Regular Cycle Vend Price - Increase or decrease between 0 and 200 by pressing the POWERWASH or TEMPERATURE key pad. Factory preset for 7 quarters = \$1.75. PR/PN MODELS ONLY: Factory preset for 0 quarters (Free Vend).
6.07 POWERWASH	POWERWASH Regular Cycle Vend Price - Increase or decrease between 0 and 200 by pressing the POWERWASH or TEMPERATURE key pad. Factory preset for 7 quarters = \$1.75. PR/PN MODELS ONLY: Factory preset for 0 quarters (Free Vend).
6.08 MIXED	MIXED Regular Cycle Vend Price - Increase or decrease between 0 and 200 by pressing the POWERWASH or TEMPERATURE key pad. Factory preset for 8 quarters = \$2.00. PR/PN MODELS ONLY: Factory preset for 0 quarters (Free Vend).
→ Press the MIXED key pad once to advance to next code.	
P.dEF	Default Cycle Price displayed in Standby - Increase or decrease between MIXED, DELICATES, POWERWASH, NORMAL ECO by pressing the POWERWASH or TEMPERATURE key pad. Factory preset for MIXED.
7.00	ADDITIONAL WASH TIME
7.00	This is the number of minutes that can be added to a Wash Cycle. Choose from 00-05 minutes by pressing the POWERWASH key pad.
→ Press the MIXED key pad once to advance to next code.	
8.00	ADDITIONAL RINSE TIME
8.00	This is the number of minutes that can be added to a Rinse Cycle. Choose from 00-05 minutes by pressing the POWERWASH key pad.
→ Press the MIXED key pad once to advance to next code.	
9.00	CYCLE COUNTER OPTION This option is either SELECTED 'ON' or NOT SELECTED 'OFF'.
9.00	Not Selected 'OFF'.
9.0C	Selected 'ON' and not able to be deselected. Press the DELICATES key pad 3 consecutive times to select 'ON'. Once selected 'ON' it cannot be deselected.
→ Press the MIXED key pad once to advance to next code.	
1.00	MONEY COUNTER OPTION This option is either SELECTED 'ON' or NOT SELECTED 'OFF'.
1.00	Not Selected 'OFF'.
1.0C	Selected 'ON'. Press the DELICATES key pad 3 consecutive times to select 'ON' and 3 consecutive times to remove (Not Selected 'OFF'.) Counter resets by going from 'OFF' to 'ON'.
1.C0	Selected 'ON' and not able to be deselected. To select 'ON' and not able to be deselected, first select 'ON', then within 2 seconds press the DELICATES key pad twice, the POWERWASH key pad once, and exit the set-up mode.
→ Press the MIXED key pad once to advance to next code.	
2.00	SPECIAL PRICING OPTION This option is either SELECTED 'ON' or NOT SELECTED 'OFF'.
2.00	Not Selected 'OFF'.
2.SP	Selected 'ON'. Press the DELICATES key pad once for this selection.
If SPECIAL PRICING OPTION is selected, there is access to codes '3.' through '9.' NOTE: An external battery needs to be added to keep the clock running during periods of power outages.	
→ Press the MIXED key pad once to advance to next code.	

ELECTRONIC CONTROLS SET-UP INSTRUCTIONS

CODE	EXPLANATION																								
OPTIONS TO USE IF SPECIAL PRICING IS SELECTED:																									
3.07 DELICATES	DELICATES Special Cycle Vend Price - Increase or decrease between 0 and 200 by pressing the POWERWASH or TEMPERATURE key pad. Factory preset for 7 quarters = \$1.75. PR/PN MODELS ONLY: Factory preset for 0 quarters (Free Vend).																								
3.07 Normal ECO	Normal ECO Special Cycle Vend Price - Increase between 0 and 200 by pressing the POWERWASH key pad and decrease by pressing the TEMPERATURE key pad. Factory preset for 7 quarters = \$1.75. PR/PN MODELS ONLY: Factory preset for 0 quarters (Free Vend).																								
3.07 POWERWASH	POWERWASH Special Cycle Vend Price - Increase or decrease between 0 and 200 by pressing the POWERWASH or TEMPERATURE key pad. Factory preset for 7 quarters = \$1.75. PR/PN MODELS ONLY: Factory preset for 0 quarters (Free Vend).																								
3.08 MIXED	MIXED Special Cycle Vend Price - Increase or decrease between 0 and 200 by pressing the POWERWASH or TEMPERATURE key pad. Factory preset for 8 quarters = \$2.00. PR/PN MODELS ONLY: Factory preset for 0 quarters (Free Vend).																								
→ Press the MIXED key pad once to advance to next code.																									
5.00	TIME-OF-DAY CLOCK, MINUTES																								
5.00	This is the TIME-OF-DAY CLOCK, minute setting; select between 0 and 59 minutes by pressing the POWERWASH or TEMPERATURE key pad.																								
→ Press the MIXED key pad once to advance to next code.																									
6.00	TIME-OF-DAY CLOCK, HOURS NOTE: Uses military time or 24 hr. clock.																								
6.00	This is the TIME-OF-DAY CLOCK, hour setting; select between 0 and 23 hours by pressing the POWERWASH or TEMPERATURE key pad.																								
→ Press the MIXED key pad once to advance to next code.																									
7.00	SPECIAL PRICE START HOUR NOTE: Uses military time or 24 hr. clock.																								
7.00	This is the start hour; select between 0 and 23 hours by pressing the POWERWASH or TEMPERATURE key pad.																								
→ Press the MIXED key pad once to advance to next code.																									
8.00	SPECIAL PRICE STOP HOUR NOTE: Uses military time or 24 hr. clock.																								
8.00	This is the stop hour; select between 0 and 23 hours by pressing the POWERWASH or TEMPERATURE key pad.																								
→ Press the MIXED key pad once to advance to next code.																									
9.00	SPECIAL PRICE DAY																								
9.10	This represents the day of the week and whether special pricing is selected for that day. A number followed by '0' indicates no selection that particular day (9.10). A number followed by an 'S' indicates selected for that day (9.1S). Days of the week (1-7) can be chosen by pressing the POWERWASH key pad. Press the POWERWASH key pad once to select special pricing for each day chosen. When exiting set-up code '9', the display must show current day of week: <table style="margin-left: 40px; border: none;"> <thead> <tr> <th>DISPLAY</th> <th>DAY OF WEEK</th> <th>CODE (selected)</th> </tr> </thead> <tbody> <tr><td>10</td><td>Day 1 = Sunday</td><td>1S</td></tr> <tr><td>20</td><td>Day 2 = Monday</td><td>2S</td></tr> <tr><td>30</td><td>Day 3 = Tuesday</td><td>3S</td></tr> <tr><td>40</td><td>Day 4 = Wednesday</td><td>4S</td></tr> <tr><td>50</td><td>Day 5 = Thursday</td><td>5S</td></tr> <tr><td>60</td><td>Day 6 = Friday</td><td>6S</td></tr> <tr><td>70</td><td>Day 7 = Saturday</td><td>7S</td></tr> </tbody> </table>	DISPLAY	DAY OF WEEK	CODE (selected)	10	Day 1 = Sunday	1S	20	Day 2 = Monday	2S	30	Day 3 = Tuesday	3S	40	Day 4 = Wednesday	4S	50	Day 5 = Thursday	5S	60	Day 6 = Friday	6S	70	Day 7 = Saturday	7S
DISPLAY	DAY OF WEEK	CODE (selected)																							
10	Day 1 = Sunday	1S																							
20	Day 2 = Monday	2S																							
30	Day 3 = Tuesday	3S																							
40	Day 4 = Wednesday	4S																							
50	Day 5 = Thursday	5S																							
60	Day 6 = Friday	6S																							
70	Day 7 = Saturday	7S																							

CODE	EXPLANATION
→ Press the MIXED key pad once to advance to next code.	
A.00	VAULT VIEWING OPTION This option is either SELECTED 'ON' or NOT SELECTED 'OFF'.
A.00	Not Selected 'OFF'.
A.SC	Selected 'ON'. Press the DELICATES key pad once for this selection. When selected, the money and/or cycle counts will be viewable (depending on what is selected) when the coin box is removed.
→ Press the MIXED key pad once to advance to next code.	
b.05	VALUE OF COIN 1
b.05	This represents the value of coin 1 in number of nickels: 05 = \$0.25. By pressing the POWERWASH or TEMPERATURE key pad, there is the option of between 1 and 199 nickels.
→ Press the MIXED key pad once to advance to next code.	
C.20	VALUE OF COIN 2
C.20	This represents the value of coin 2 in number of nickels: 20 = \$1.00. PR MODELS ONLY: Factory preset for \$0.25. By pressing the POWERWASH or TEMPERATURE key pad, there is the option of between 1 and 199 nickels.
→ Press the MIXED key pad once to advance to next code.	
d.00	COIN SLIDE OPTION This option is either SELECTED 'ON' or NOT SELECTED 'OFF'.
d.00	Not Selected 'OFF'.
d.CS	Selected 'ON'. Press the DELICATES key pad 3 consecutive times for this selection. When coin slide mode is selected, set 'b.' equal to value of slide in nickels. Set Step 6 (regular cycle price) and Step 3 (special cycle price) to number of slide operations. If the installer sets up 'CS' on a coin drop model, it will not register coins.
→ Press the MIXED key pad once to advance to next code.	
E.00	ADD COINS OPTION This option is either SELECTED 'ON' or NOT SELECTED 'OFF'. This option causes the customer display to show the number of coins (coin 1) to enter, rather than the dollars-and-cents amount.
E.00	Not Selected 'OFF'.
E.AC	Selected 'ON'. Press the DELICATES key pad 3 consecutive times for this selection.
→ Press the MIXED key pad once to advance to next code.	
H.00 COLD	COLD Temperature Upgrade Price - Increase or decrease between 0 and 200 by pressing the POWERWASH or TEMPERATURE key pad. Factory preset for 0 quarters = \$0.00.
H.00 COOL	COOL Temperature Upgrade Price - Increase or decrease between 0 and 200 by pressing the POWERWASH or TEMPERATURE key pad. Factory preset for 0 quarters = \$0.00.
H.00 WARM	WARM Temperature Upgrade Price - Increase or decrease between 0 and 200 by pressing the POWERWASH or TEMPERATURE key pad. Factory preset for 0 quarters = \$0.00.
H.01 HOT	HOT Temperature Upgrade Price - Increase or decrease between 0 and 200 by pressing the POWERWASH or TEMPERATURE key pad. Factory preset for 1 quarter = \$0.25.

ELECTRONIC CONTROLS SET-UP INSTRUCTIONS

CODE	EXPLANATION
H.01 HEAVY	HEAVY SOIL LEVEL Upgrade Price - Increase or decrease between 0 and 200 by pressing the POWERWASH or TEMPERATURE key pad. Factory preset for 1 quarter = \$0.25.
H.01 EXTRA RINSE	EXTRA RINSE Upgrade Price - Increase or decrease between 0 and 200 by pressing the POWERWASH or TEMPERATURE key pad. Factory preset for 1 quarter = \$0.25.
→ Press the MIXED key pad once to advance to next code.	
J.Cd	COIN/DEBIT OPTION
J.Cd	Both coin & debit selected.
J.C_	Coins selected, debit disabled. Press the DELICATES key pad 3 times for this selection.
J._d	Debit Card selected, coins disabled. Press the DELICATES key pad 3 times for this selection.
J.Ed	Enhanced Debit is self-selected when a Generation 2 card reader is installed in the washer. The Ed option cannot be manually selected or deselected.
→ Press the MIXED key pad once to advance to next code.	
L.00	PRICE SUPPRESSION OPTION This option causes the customer display to show 'ADD' or 'AVAILABLE' rather than the amount of money to add. (Used mainly in debit installations.)
L.00	Not Selected 'OFF'.
L.PS	Selected 'ON'. Press the DELICATES key pad once for this selection.
→ Press the MIXED key pad once to advance to next code.	
n. CE	CLEAR ESCROW OPTION When selected, money held in escrow for 30 minutes without further escrow or cycle activity will be cleared.
n. CE	Selected 'ON'.
n. 00	Not selected 'OFF'. Press the DELICATES key pad once to deselect this selection.
→ Press the MIXED key pad once to advance to next code.	
U.00	PENNY INCREMENT OFFSET
U.00	This represents the penny increment price offset used in Generation 2 (Enhanced Debit) PR models. Choose from 0-4 pennies by pressing the POWERWASH key pad.
→ Press the MIXED key pad once to advance to next code.	
A3.03	MIXED Cycle Settings. Allows the owner to select the cycle default options of Water Temperature, Soil Level, and Extra Rinse. See Table 1 for specific settings. MIXED is set to 03 from the factory.
A4.01	DELICATES Cycle Settings. Allows the owner to select the cycle default options of Water Temperature, Soil Level, and Extra Rinse. See Table 1 for specific settings. Delicates is set to 01 from the factory.
A5.1C	POWERWASH Cycle Settings. Allows the owner to select the cycle default options of Water Temperature, Soil Level, and Extra Rinse. See Table 1 for specific settings. Powerwash is set to 1C from the factory.
A6.03	NORMAL ECO Cycle Settings. Allows the owner to select the cycle default options of Water Temperature, Soil Level, and Extra Rinse. See Table 1 for specific settings. Normal Eco is set to 03 from the factory.

If cycle counter (9.0C) is selected, the following is true:

1 xx	Number of cycles in THOUSANDS.	1 02 = 2,000
2xxx	Number of cycles in ONES.	2225 = 225
		<u>TOTAL CYCLES = 2,225</u>

This is "VIEW ONLY" and cannot be cleared.
Press the MIXED key pad once to advance to next code.

If money counter (1.0C or 1.C0) is selected, the following is true:

3 xx	Number of dollars in HUNDREDS.	3 01 = \$1,000.00
4xxx	Number of dollars in ONES.	4600 = \$ 600.00
5 xx	Number of CENTS.	5 75 = \$ 00.75
		<u>TOTAL = \$1,600.75</u>

END OF SET-UP PROCEDURES

EXIT FROM SET-UP MODE

- PD Models: Reinstall access door.
- PR Models:
 - Unplug washer or disconnect power.
 - Open console, reinsert plug into AA1, close console.
 - Plug in washer or reconnect power.

If preferred, just wait through 2 minutes of inactivity. All settings will be saved and the display will revert to Select Cycle screen.

Table 1

A3, A4, A5, A6	Extra Rinse	Soil Level (Heavy-On, Normal-Off)	Water Temp	A3, A4, A5, A6	Extra Rinse	Soil Level (Heavy-On, Normal-Off)	Water Temp
00	Off	Off	Tap Cold	10	On	Off	Tap Cold
01	Off	Off	Cold	11	On	Off	Cold
02	Off	Off	Cool	12	On	Off	Cool
03	Off	Off	Warm	13	On	Off	Warm
04	Off	Off	Hot	14	On	Off	Hot
08	Off	On	Tap Cold	18	On	On	Tap Cold
09	Off	On	Cold	19	On	On	Cold
A	Off	On	Cool	1A	On	On	Cool
B	Off	On	Warm	1B	On	On	Warm
C	Off	On	Hot	1C	On	On	Hot

Technician Service Access Code

This method is only available on PR washers set to free vend (6 00).

To enter service mode:

Press the POWERWASH, EXTRA RINSE, TEMPERATURE, and DELICATES key pads within 10 seconds.

To exit service mode:

From service code 8.xx, press the POWERWASH key pad for 4 seconds.

or

Wait 2 minutes without touching any key pads (without diagnostic modes running).

or

Power down the washer, then reapply power.

NOTE: If a service cycle is in progress upon exiting service mode, the cycle will complete normally with cycle status information displayed. The display will resume normal customer operation mode when the cycle ends.

SÉCURITÉ DE LA LAVEUSE

Votre sécurité et celle des autres est très importante.

Nous donnons de nombreux messages de sécurité importants dans ce manuel et sur votre appareil ménager. Assurez-vous de toujours lire tous les messages de sécurité et de vous y conformer.



Voici le symbole d'alerte de sécurité.

Ce symbole d'alerte de sécurité vous signale les dangers potentiels de décès et de blessures graves à vous et à d'autres.

Tous les messages de sécurité suivront le symbole d'alerte de sécurité et le mot "DANGER" ou "AVERTISSEMENT". Ces mots signifient :

⚠ DANGER

Risque possible de décès ou de blessure grave si vous ne suivez pas immédiatement les instructions.

⚠ AVERTISSEMENT

Risque possible de décès ou de blessure grave si vous ne suivez pas les instructions.

Tous les messages de sécurité vous diront quel est le danger potentiel et vous disent comment réduire le risque de blessure et ce qui peut se produire en cas de non-respect des instructions.

IMPORTANTES INSTRUCTIONS DE SÉCURITÉ

AVERTISSEMENT : Pour réduire les risques d'incendie, de choc électrique ou de blessures lors de l'utilisation de la laveuse, suivre les précautions fondamentales dont les suivantes :

- Lire toutes les instructions avant d'utiliser la laveuse.
- Ne pas laver des articles qui ont été nettoyés ou lavés avec de l'essence ou imbibés d'essence, solvants de nettoyage à sec, ou autres substances inflammables ou explosives; ces substances peuvent émettre des vapeurs susceptibles de s'enflammer ou d'exploser.
- Ne pas ajouter d'essence, solvant de nettoyage à sec ou autre produit inflammable ou explosif dans l'eau de lavage. Ces substances peuvent émettre des vapeurs susceptibles de s'enflammer ou d'exploser.
- Dans certaines conditions, de l'hydrogène gazeux peut se former dans un circuit d'eau chaude qui n'a pas été utilisé pendant 2 semaines ou plus. LE GAZ HYDROGÈNE EST EXPLOSIBLE. Si le circuit d'eau chaude n'a pas été utilisé pendant une telle période, avant d'utiliser la laveuse, ouvrir tous les robinets d'eau chaude et laisser l'eau s'écouler pendant plusieurs minutes par chaque robinet. Ceci permettra l'évacuation de l'hydrogène gazeux accumulé. Comme ce gaz est inflammable, ne pas fumer ou utiliser une flamme nue au cours de cette période.
- Ne pas laisser des enfants jouer sur ou à l'intérieur de la laveuse. Bien surveiller les enfants lorsque la laveuse est utilisée à proximité d'enfants.
- Avant de mettre la laveuse au rebut ou hors de service, enlever la porte ou le couvercle.
- Ne pas tenter d'atteindre un article à l'intérieur de la cuve de la laveuse lorsque le tambour, la cuve ou l'agitateur est en mouvement.
- Ne pas installer ou remiser cette laveuse à un endroit où elle serait exposée aux intempéries.
- Ne pas modifier les organes de commande.
- Ne pas réparer ou remplacer un composant quelconque de la laveuse, ni entreprendre une opération de service, si ce n'est spécifiquement recommandé dans ce manuel ou dans un manuel d'instructions de réparations destiné à l'utilisateur; il est alors essentiel que la personne concernée comprenne ces instructions et soit compétente pour les exécuter.
- Pour les instructions de liaison à la terre, voir "Spécifications électriques" dans les instructions d'installation.
- Ne pas laver de vêtements résistants à l'eau ou de type hydrofuge. Le non-respect de ces instructions peut entraîner une vibration anormale et un déséquilibre pouvant entraîner des blessures, des dommages matériels voire des dommages à l'appareil.

CONSERVEZ CES INSTRUCTIONS

POUR VOTRE SÉCURITÉ

Ne pas remiser ou utiliser de l'essence ou tout autre liquide ou vapeur inflammable à proximité de cet appareil ou de tout autre appareil.

OUTILS ET PIÈCES

Outils nécessaires :

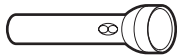


Niveau



Clé ouverte de 9/16 po
(14 mm)

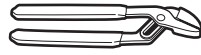
Outils facultatifs :



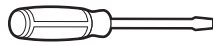
Lampe de poche



Couteau tout usage



Pince

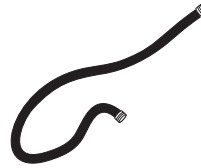


Tournevis à lame plate



Seau

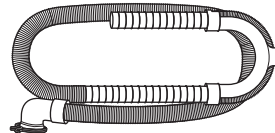
Pièces fournies :



Tuyaux d'alimentation en eau (2)



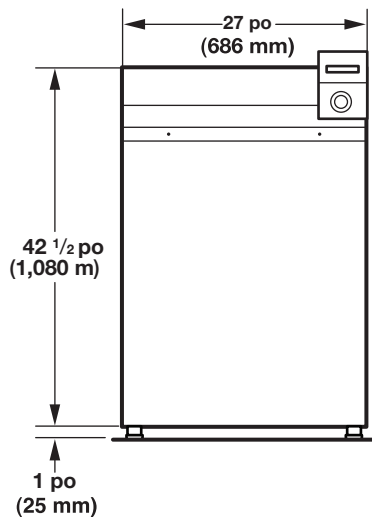
Rondelles des tuyaux
d'alimentation en eau (4)



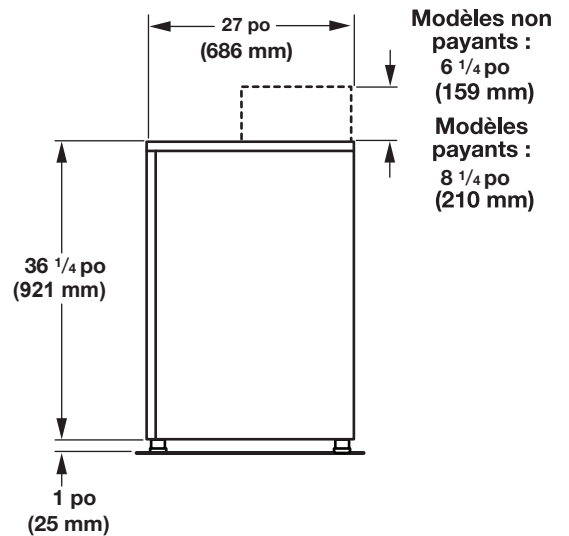
Tuyau d'évacuation avec
bride, forme en U
et serre-câbles

DIMENSIONS

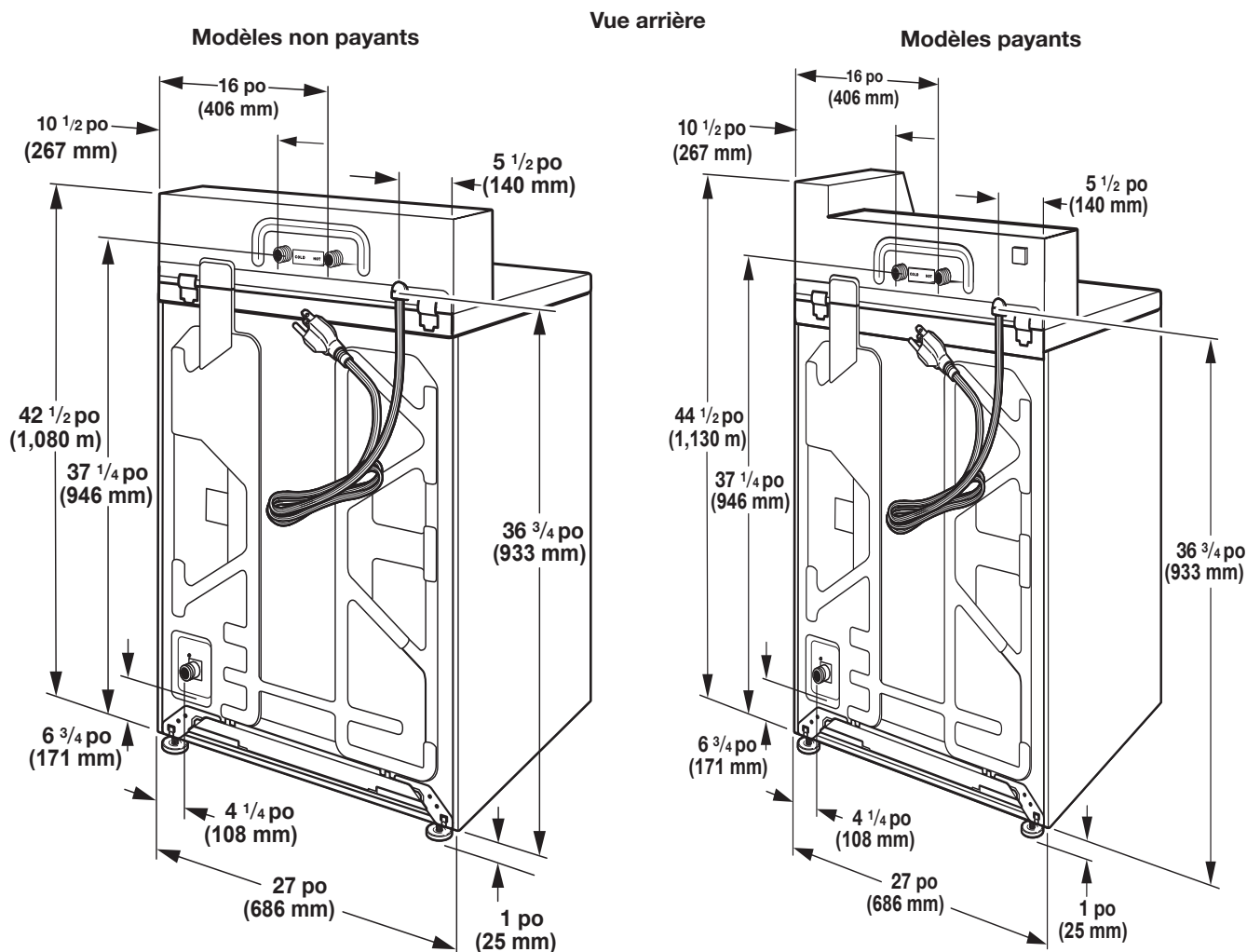
Vue de face



Vue latérale



DIMENSIONS



EXIGENCES D'EMPLACEMENT

Le choix d'un emplacement approprié pour la laveuse en améliore le rendement et réduit au minimum le bruit et le « déplacement » de la laveuse.

La laveuse peut être installée dans un sous-sol, une buanderie ou un encastrement. Voir la section « Système de vidange ».

Il faut aussi prendre en compte les exigences d'emplacement des appareils voisins.

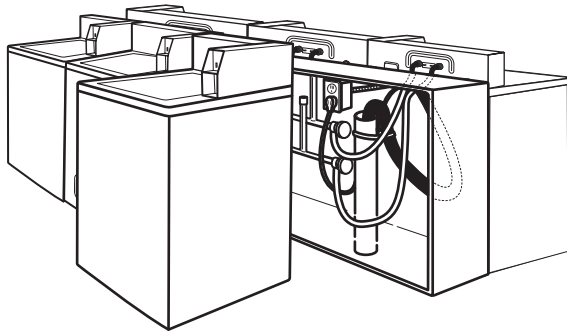
IMPORTANT : Ne pas installer ou entreposer la laveuse dans un endroit où elle serait exposée aux intempéries. Ne pas remettre ou faire fonctionner la laveuse à des températures égales ou inférieures à 32 °F (0 °C). Une quantité d'eau peut demeurer dans la laveuse et causer des dommages à des températures basses. C'est à l'utilisateur qu'incombe la responsabilité de réaliser une installation correcte.

Il vous faudra :

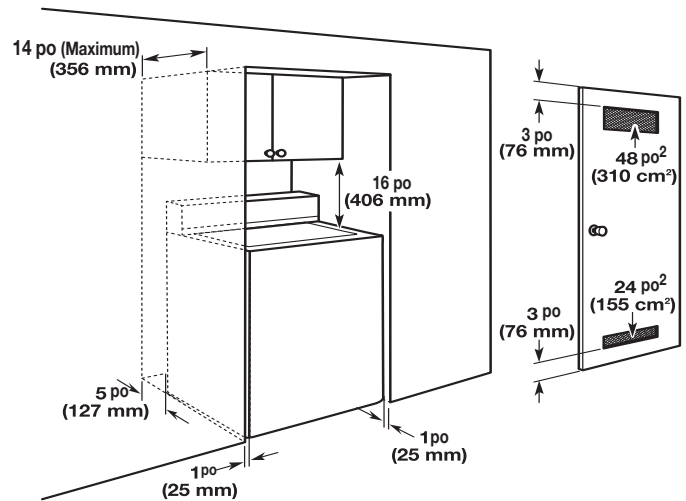
- Un chauffe-eau réglé à 120 °F (49 °C).
- Une prise électrique reliée à la terre et située à moins de 4 pi (1,2 m) du cordon d'alimentation à l'arrière de la laveuse. Consulter les « Spécifications électriques ».
- Des robinets d'eau chaude et d'eau froide situés à moins de 4 pi (1,2 m) des électrovannes de remplissage d'eau chaude

et d'eau froide sur la laveuse, et une pression d'eau de 20-100 lb/po² (138 à 690 kPa). Une vanne de réduction de la pression doit être installée dans une conduite d'alimentation si la pression à l'entrée du bâtiment est supérieure à 100 psi (690 kPa) pour éviter d'endommager le robinet mélangeur de la laveuse.

- L'installation d'une seule laveuse nécessite une colonne montante d'au moins 12 po (300 mm) pour assurer un coussin d'air et éviter le bruit et les dégâts aux vannes.
- Un plancher de niveau avec une pente maximale de 1 po (25 mm) sous l'ensemble de la laveuse. L'installation sur de la moquette n'est pas recommandée.
- Un plancher capable de supporter le poids total de 315 lb (143 kg) de la laveuse (eau et charge comprises).
- Un égout au plancher sous le module de la cloison. Les coffrages préfabriqués équipés de prises électriques, tuyaux d'arrivée d'eau et conduites d'évacuation doivent être utilisés seulement là où les codes locaux l'autorisent.



Dégagement d'installation minimal



Installation dans un encastrement ou un placard

Cette laveuse peut être installée dans un encastrement ou un placard. Les dimensions d'installation indiquées correspondent à l'espacement minimal permis. Prévoir davantage d'espace pour faciliter l'installation et l'entretien. Si on installe une porte de placard, des ouvertures d'aération minimales sont nécessaires en haut et en bas de la porte. Les portes à claire-voie offrant des ouvertures équivalentes (supérieures et inférieures) sont acceptables. Il faut aussi prendre en compte l'espace requis entre les appareils voisins.

INSTRUCTIONS D'INSTALLATION

⚠ AVERTISSEMENT

Risque du poids excessif

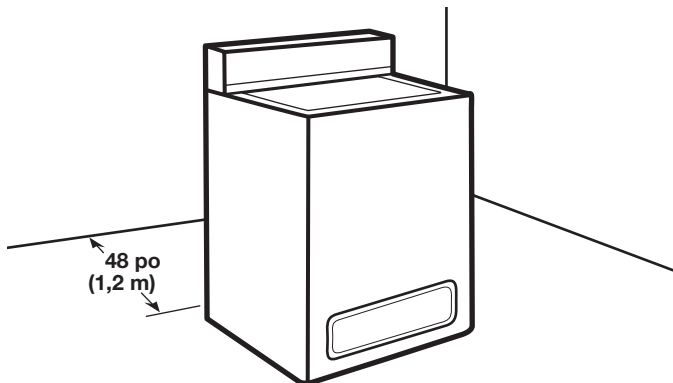
Utiliser deux ou plus de personnes pour déplacer et installer la laveuse.

Le non-respect de cette instruction peut causer une blessure au dos ou d'autre blessure.

Il est nécessaire de retirer tous les matériaux d'expédition pour un fonctionnement sûr et pour éviter le bruit excessif de la laveuse.

1. Déplacer la laveuse à moins de 4 pi (1,2 m) de son emplacement final; elle doit être en position complètement verticale.

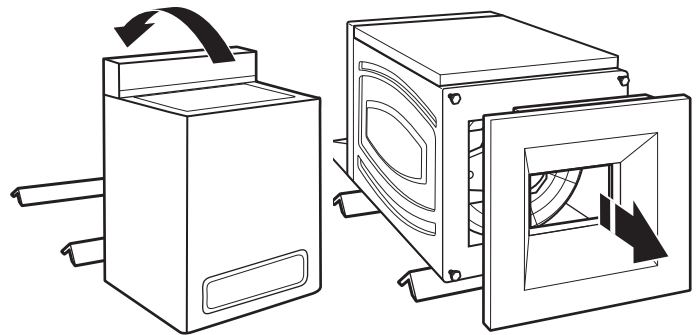
REMARQUE : Pour éviter d'endommager le plancher, placer la laveuse sur du carton avant de la déplacer et s'assurer que le couvercle est bien fermé à l'aide de ruban collant.



2. Afin d'éviter d'endommager le plancher, placer les supports en carton du carton d'expédition sur le plancher, derrière la laveuse. Incliner la laveuse vers l'arrière et la placer sur les supports en carton. Enlever la base d'expédition. Redresser la laveuse en position verticale.

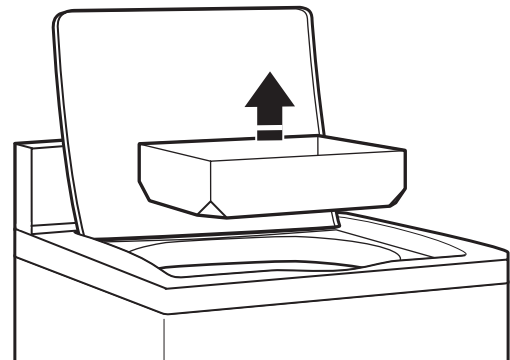
IMPORTANT : Le retrait de la base d'expédition est nécessaire au bon fonctionnement de l'appareil.

REMARQUE : Conserver la base d'expédition au cas où il faudrait déplacer la laveuse ultérieurement.



3. Retirer le ruban adhésif du couvercle de la laveuse, ouvrir le couvercle et retirer le carton plat d'emballage de la cuve. Veiller à retirer toutes les pièces d'emballage.

REMARQUE : Conserver le carton plat au cas où il faudrait déplacer la laveuse ultérieurement.



RÉGLAGE DE L'APLOMB DE LA LAVEUSE

IMPORTANT : Mettre la laveuse à niveau pour réduire le niveau sonore et les vibrations excessifs.

AVERTISSEMENT

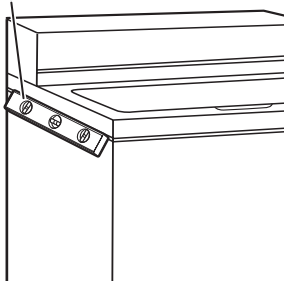
Risque du poids excessif

Utiliser deux ou plus de personnes pour déplacer et installer la laveuse.

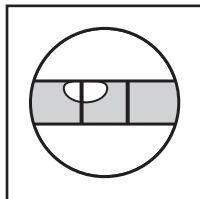
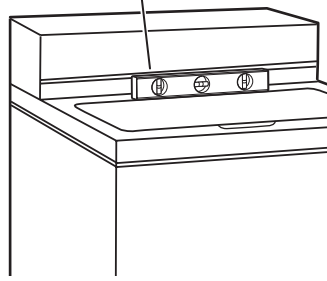
Le non-respect de cette instruction peut causer une blessure au dos ou d'autre blessure.

1. Déplacer la laveuse à son emplacement final. Placer un niveau sur les bords supérieurs de la laveuse. Utiliser une rive latérale comme guide pour déterminer l'aplomb des côtés. Vérifier l'aplomb de l'avant à l'aide du couvercle, comme indiqué. Faire bouger la machine d'avant en arrière pour s'assurer que les quatre pieds sont bien en contact avec le plancher.

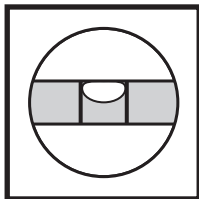
Placer le niveau à cet endroit



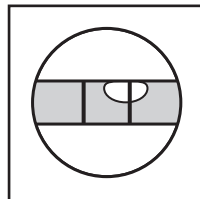
Placer le niveau à cet endroit



Pas d'aplomb



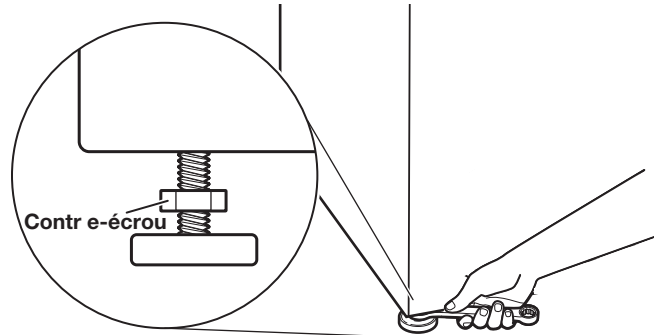
APLOMB



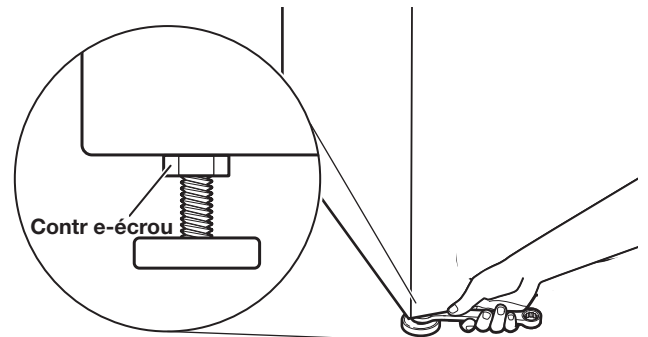
Pas d'aplomb

2. Utiliser une clé plate de 9/16 po (14 mm) ou une clé à molette pour tourner les contre-écrous dans le sens horaire sur les pieds jusqu'à ce qu'ils se trouvent à environ 1/2 po (13 mm) de la caisse de la laveuse. Tourner ensuite le pied de nivellement dans le sens horaire pour abaisser la laveuse ou antihoraire pour la soulever. Contrôler à nouveau l'aplomb de la laveuse et répéter au besoin.

CONSEIL UTILE : Il serait judicieux de soulever l'avant de la laveuse d'environ 4 po (102 mm) à l'aide d'une cale en bois ou d'un objet similaire qui soutiendra le poids de la laveuse.



3. Lorsque la laveuse est d'aplomb, utiliser une clé plate ou une clé à molette de 9/16 po ou 14 mm pour tourner les contre-écrous dans le sens antihoraire sur les pieds de nivellement jusqu'à ce qu'ils soient bien serrés contre la caisse de la laveuse.

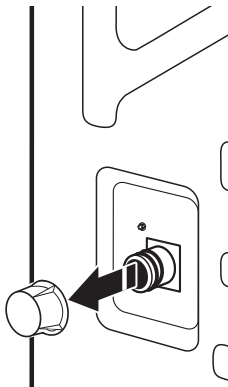


RACCORDEMENT DU TUYAU DE VIDANGE

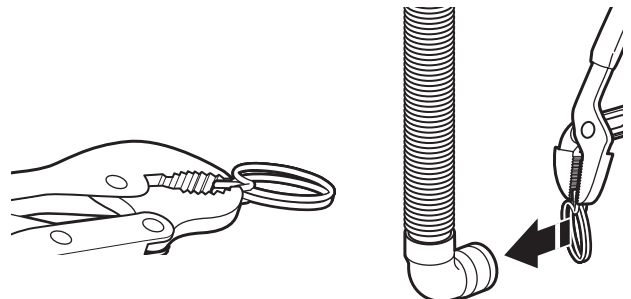
Le bon acheminement du tuyau de vidange évite d'endommager le sol à cause de fuites d'eau.

Retirer le tuyau de vidange du panier de la laveuse

1. Retirer le capuchon de l'orifice de vidange de la laveuse situé à l'arrière de celle-ci.

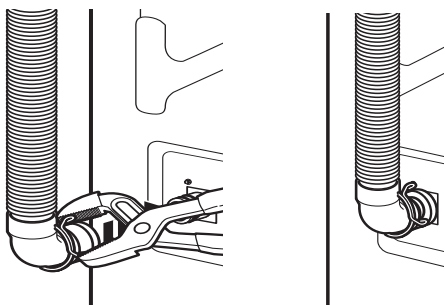


2. Si la bride n'est pas déjà installée sur l'extrémité coudée du tuyau de vidange, la faire glisser sur l'extrémité comme indiqué.



RACCORDEMENT DU TUYAU DE VIDANGE

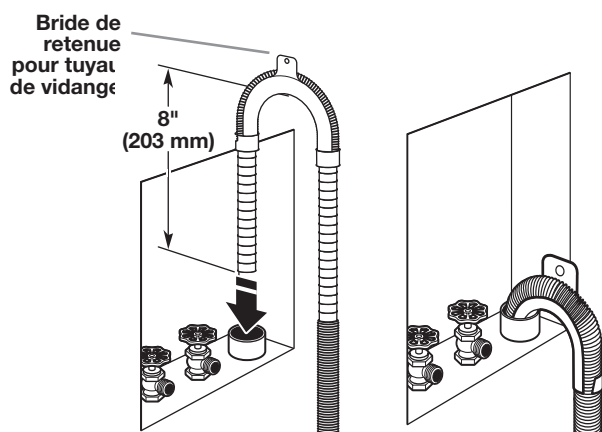
3. Serrer la bride avec une pince et faire glisser l'extrémité coudée du tuyau de vidange sur l'orifice de vidange de la laveuse, puis fixer avec la bride.



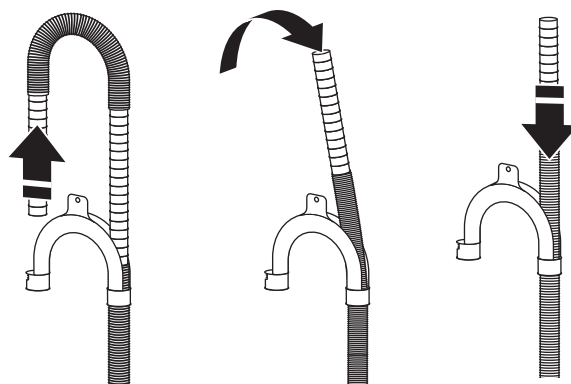
4. Le système de vidange de la laveuse peut être installé à l'aide d'un avaloir sol, un tuyau rigide de rejet à l'égout mural, un tuyau rigide de rejet à l'égout au sol ou un évier de buanderie.
5. Placer le tuyau dans le tuyau de rejet à l'égout (illustré à l'image) ou par-dessus le côté de l'évier de buanderie.

IMPORTANT :

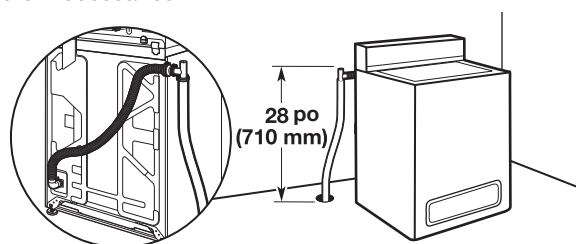
- Le tuyau de vidange ne doit pas dépasser 8 po (203 mm) dans le tuyau d'évacuation; ne pas forcer l'excès de tuyau dans le tuyau de rejet à l'égout ou ne pas le poser au fond de la cuve à lessive. On doit utiliser la bride de retenue pour tuyau de vidange.
- Il incombe à l'installateur d'installer et fixer solidement le tuyau de vidange à la canalisation d'évacuation de manière que le tuyau de vidange ne puisse sortir et causer d'éventuelles fuites de la canalisation d'évacuation.



6. Pour les installations avec vidange au plancher, il faut retirer la bride de retenue pour tuyau de vidange de l'extrémité du tuyau de vidange. Des pièces supplémentaires avec des directives distinctes seront peut-être nécessaires. Voir la section « Outils et pièces ».



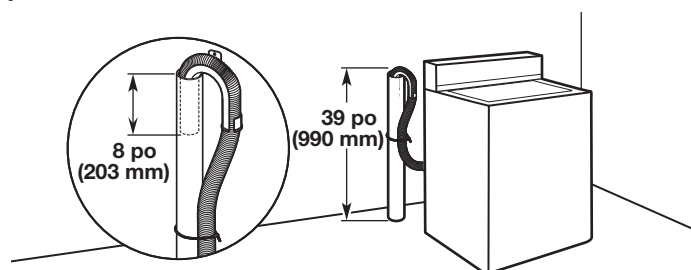
7. Le système de vidange au plancher nécessite un brise-siphon qui peut être acheté séparément. Le brise-siphon (pièce numéro 285320) doit se trouver au moins à 28 po (710 mm) de la base de la laveuse. Des tuyaux supplémentaires peuvent s'avérer nécessaires.



SYSTÈME DE VIDANGE

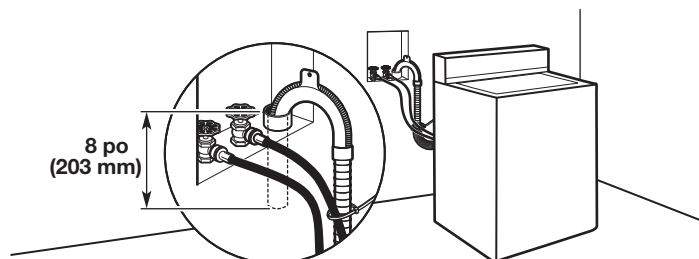
Le système de vidange peut être installé à l'aide d'un conduit d'évacuation au plancher, un tuyau rigide de rejet à l'égout mural, un tuyau rigide de rejet à l'égout au plancher ou un évier de buanderie. Sélectionner la méthode à utiliser.

Système de vidange avec tuyau de rejet à l'égout au plancher



Diamètre minimum pour un tuyau de rejet à l'égout : 2 po (51 mm). Capacité minimale d'acheminement : 10 gal (38 L) par minute. Le sommet du tuyau de rejet à l'égout doit avoir une hauteur d'au moins 39 po (990 mm); ne pas l'installer à plus de 96 po (2,44 m) du bas de la laveuse.

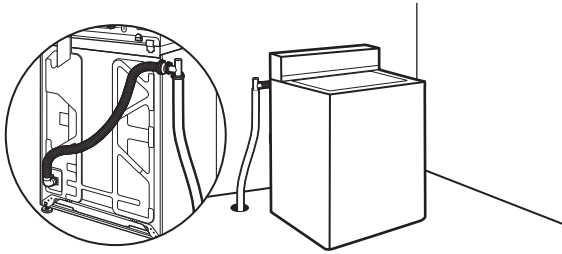
Système de vidange avec tuyau de rejet à l'égout mural



Voir les exigences pour le système de vidange avec tuyau de rejet à l'égout au plancher.

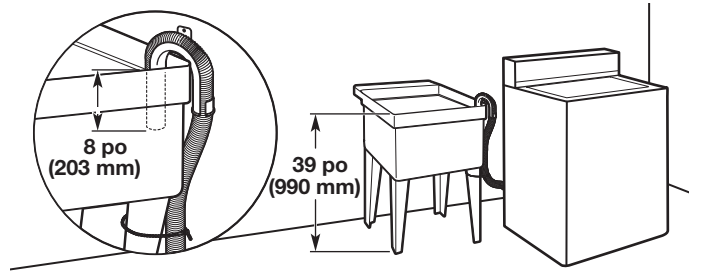
SYSTÈME DE VIDANGE

Système de vidange au sol



Le système d'évacuation au sol nécessite une trousse de brise-siphon (pièce no 285320). Dimension minimale pour le brise-siphon : 28 po (710 mm) à partir du fond de la laveuse. Des tuyaux supplémentaires peuvent être requis.

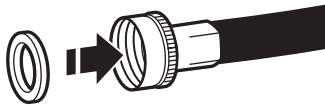
Système de vidange dans un évier de buanderie



Capacité minimale : 20 gal. (76 L). La partie supérieure de l'évier de buanderie doit être à au moins 39 po (990 mm) au-dessus du sol.

RACCORDEMENT DES TUYAUX D'ALIMENTATION EN EAU

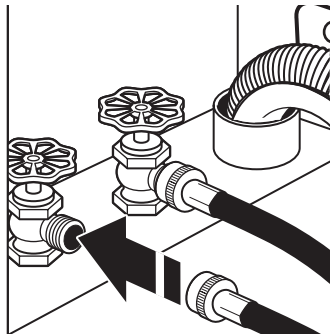
Insérer les rondelles de tuyau neuves (fournies) dans chaque extrémité des tuyaux d'alimentation en eau. Insérer fermement les rondelles dans les raccords.



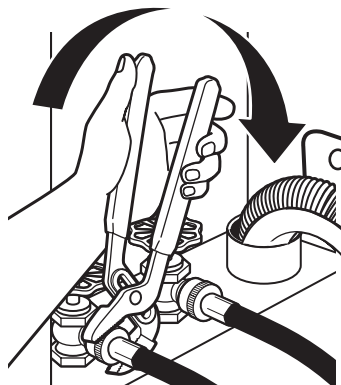
Laveuse Raccord

Raccorder les tuyaux d'alimentation en eau aux robinets

1. Fixer le tuyau au robinet d'eau chaude. Visser le raccord à la main jusqu'à ce qu'il repose sur la rondelle. Répéter l'opération pour l'eau froide.

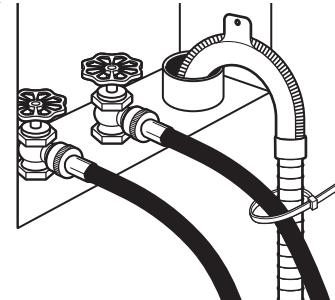


2. Serrer les raccords de deux tiers de tour supplémentaires à l'aide d'une pince.



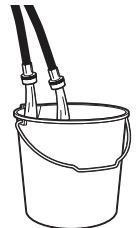
IMPORTANT : Ne pas serrer excessivement ni utiliser de ruban adhésif ou de dispositifs d'étanchéité lors de la fixation des robinets ou de la machine. Cela pourrait entraîner des dommages.

3. Fixer le tuyau de vidange au tuyau d'entrée avec une attache mono-usage.

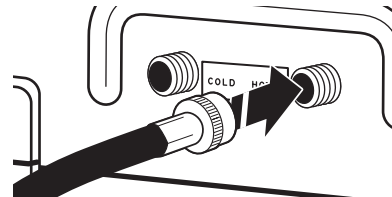


Purger les canalisations d'eau

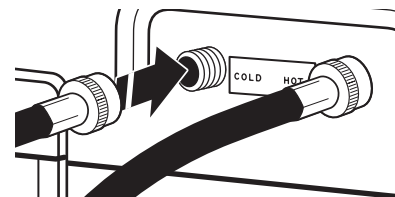
- Laisser s'écouler l'eau des deux robinets et tuyaux d'alimentation en eau dans un évier de buanderie, un tuyau rigide de rejet à l'égout ou un seau pour éliminer les particules se trouvant dans les canalisations d'eau qui pourraient obstruer les tamis de la valve d'arrivée d'eau.
- Vérifier la température de l'eau pour s'assurer que le tuyau d'eau chaude est connecté au robinet d'eau chaude et que le tuyau d'eau froide est connecté au robinet d'eau froide.



Connecter les tuyaux d'alimentation en eau à la laveuse



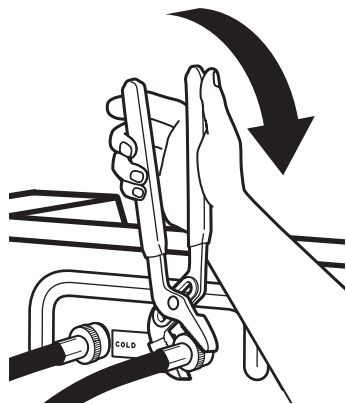
1. Fixer le tuyau d'eau froide au robinet d'arrivée d'eau froide cerclé de bleu. Visser le raccord à la main jusqu'à ce qu'il soit bien serré.



2. Fixer le tuyau d'eau chaude à la vanne marquée d'un anneau de valve rouge. Visser le raccord à la main jusqu'à ce qu'il soit bien serré.

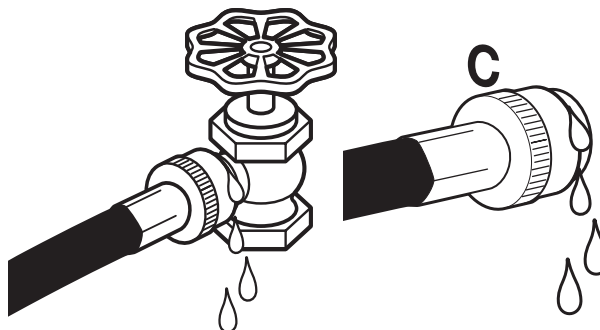
RACCORDEMENT DES TUYAUX D'ALIMENTATION EN EAU

3. Serrer les raccords de deux tiers de tour supplémentaires à l'aide d'une pince.



REMARQUE : Ne pas serrer excessivement. Les robinets risquent d'être endommagés.

4. Ouvrir les robinets d'eau pour vérifier qu'il n'y a pas de fuites. Une petite quantité d'eau peut entrer dans la laveuse. Elle s'évacuera plus tard.



REMARQUE : Remplacer les tuyaux d'arrivée d'eau après 5 ans d'utilisation pour réduire le risque de défaillance intempestive. Inscrire la date d'installation ou de remplacement du tuyau sur celui-ci, pour référence ultérieure.

Inspecter périodiquement les tuyaux et les remplacer en cas de renflement, de déformation, de coupure, d'usure ou de fuite.

SPÉCIFICATIONS ÉLECTRIQUES

⚠ AVERTISSEMENT



Risque de choc électrique

Brancher sur une prise à 3 alvéoles reliée à la terre.

Ne pas enlever la broche de liaison à la terre.

Ne pas utiliser un adaptateur.

Ne pas utiliser un câble de rallonge.

Le non-respect de ces instructions peut causer un décès, un incendie ou un choc électrique.

- L'appareil doit être alimenté par un circuit de 120 V CA à 60 Hz seulement et protégé par un fusible de 15 ou 20 A. On recommande d'utiliser un fusible ou un disjoncteur temporisé. Il est recommandé de raccorder l'appareil sur un circuit distinct exclusif à cet appareil.
- Cette laveuse comporte un cordon d'alimentation électrique à trois broches pour liaison à la terre.
- Pour minimiser les risques de décharge électrique, on doit brancher le cordon sur une prise de courant de configuration correspondante, à 3 alvéoles, reliée à la terre et installée conformément aux codes et règlements locaux. Si une prise de courant de configuration correspondante n'est pas accessible, le client a la responsabilité et l'obligation de faire installer par un électricien qualifié une prise de courant correctement reliée à la terre.
- Si les codes le permettent et si l'on utilise un conducteur distinct de liaison à la terre, il est recommandé qu'un électricien qualifié vérifie la qualité de la liaison à la terre.
- Ne pas utiliser une tuyauterie de gaz pour le raccordement à la terre.
- En cas de doute quant à la qualité de la mise à la terre de la laveuse/sécheuse, consulter un électricien qualifié.
- Ne pas installer un fusible dans le conducteur neutre ou le circuit de liaison à la terre.

INSTRUCTIONS DE LIAISON À LA TERRE

Pour une laveuse reliée à la terre et connectée par un cordon :

Cette laveuse doit être reliée à la terre. En cas d'anomalie de fonctionnement ou de panne, la liaison à la terre réduira le risque de choc électrique en offrant au courant électrique un itinéraire d'évacuation de moindre résistance. Cette laveuse est alimentée par un cordon électrique comportant un conducteur relié à la terre et une fiche de branchement munie d'une broche de liaison à la terre. La fiche doit être branchée sur une prise de courant appropriée qui est bien installée et reliée à la terre conformément à tous les codes et règlements locaux.

AVERTISSEMENT : Le raccordement incorrect de cet appareil au conducteur de liaison à la terre peut susciter un risque de choc électrique. En cas de doute quant à la qualité de la liaison à la terre de l'appareil, consulter un électricien ou technicien d'entretien qualifié.

Ne pas modifier la fiche de branchement fournie avec l'appareil – si la fiche ne correspond pas à la configuration de la prise de courant, demander à un électricien qualifié d'installer une prise de courant convenable.

Pour une laveuse raccordée en permanence :

Cette laveuse doit être raccordée à un système de câblage permanent en métal relié à la terre ou un conducteur relié à la terre doit être en fonction avec les conducteurs de circuit et raccordés à la borne de liaison à la terre ou la borne sur l'appareil ménager.

FIN DE L'INSTALLATION

⚠ AVERTISSEMENT



Risque de choc électrique

Brancher sur une prise à 3 alvéoles reliée à la terre.

Ne pas enlever la broche de liaison à la terre.

Ne pas utiliser un adaptateur.

Ne pas utiliser un câble de rallonge.

Le non-respect de ces instructions peut causer un décès, un incendie ou un choc électrique.

- Consulter les spécifications électriques. Vérifier que la tension électrique disponible est correcte et que la prise de courant est convenablement reliée à la terre.

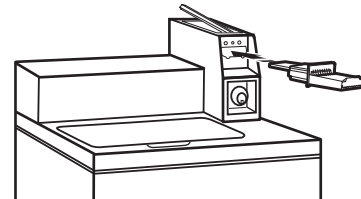
- Vérifier que toutes les pièces sont maintenant installées. S'il reste une pièce, passer en revue les différentes étapes pour découvrir laquelle aurait été oubliée.
- Vérifier la présence de tous les outils.
- Vérifier que tout le matériel d'expédition a été retiré de la laveuse.
- Éliminer/recycler tous les matériaux d'emballage.
- Vérifier que les robinets d'eau sont ouverts.
- Vérifier qu'il n'y a pas de fuite autour des robinets et des tuyaux d'arrivée d'eau.
- Ôter la pellicule de la console et tout ruban adhésif resté sur la laveuse.
- Brancher sur une prise reliée à la terre ou connecter la source de courant électrique.
- Vérifier que le disjoncteur ne s'est pas déclenché ou que le fusible n'est pas grillé.
- Mettre la machine en marche en utilisant le système de paiement, si utilisé, et vérifier que la machine effectue le programme de lavage sans défaillance ni fuite d'eau.

INSTALLATION DE LA GLISSIÈRE ET DE LA BOÎTE À MONNAIE

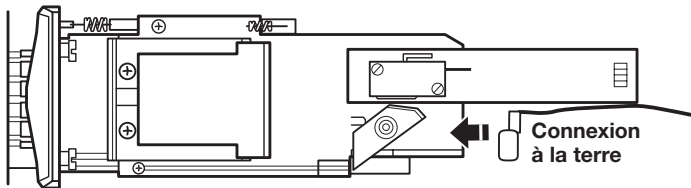
Sur certains modèles, le mécanisme de glissière, le verrou et la clé de la porte d'entretien et le verrou et la clé de la boîte à monnaie ne sont pas inclus, mais ces pièces sont disponibles auprès des fournisseurs industriels classiques.

Enlever la porte d'entretien du compteur en la soulevant par l'arrière. Installer le dispositif de réception de la monnaie. (Consulter les instructions du fabricant concernant l'installation.)

Une connexion de masse est nécessaire pour la glissière, qui peut être effectuée en connectant le câblage (W10846503) disponible à la glissière.



Installer un verrou et une came sur la porte de service du boîtier du compteur. Installer la chambre à pièces avec son verrou et sa clé dans l'ouverture du boîtier du compteur.



TAILLES TYPIQUES D'UNE PLEINE CHARGE

Type de charge	Suggestion de chargement	Type de charge	Suggestion de chargement
Charge mixte	3 draps doubles 4 taies d'oreiller 6 shorts 8 t-shirts 2 t-shirts 2 chemisiers 8 mouchoirs	Vêtements de travail lourds	3 pantalons 3 chemises 1 salopette 4 jeans 1 salopette
Pressage permanent	2 draps pour lit double ou 1 drap de très grande taille 1 nappe 1 robe 1 chemisier 2 pantalons décontractés 3 chemises 2 taies d'oreiller	Tricots	3 chemisiers 4 pantalons décontractés 6 chemises 4 hauts 4 robes

ENTRETIEN DE LA LAVEUSE

Conseils d'utilisation

AVERTISSEMENT



Risque d'incendie

Ne jamais mettre des articles humectés d'essence ou d'autres fluides inflammables dans la laveuse.

Aucune laveuse ne peut complètement enlever l'huile.

Ne pas faire sécher des articles qui ont été salis par tout genre d'huile (y compris les huiles de cuisson).

Le non-respect de ces instructions peut causer un décès, une explosion ou un incendie.

Transport de la laveuse

Il est recommandé de ne pas laver d'articles en fibre de verre dans une laveuse payante. Si on lave ces articles dans la laveuse, faire fonctionner un programme complet pour rincer les éventuels résidus restés dans la laveuse.

- Fermer les deux robinets d'eau. Débrancher et vidanger les tuyaux d'arrivée d'eau.
- Déconnecter l'évacuation du système de vidange et vider l'eau qui reste dans un bac ou un seau. Déconnecter le tuyau d'évacuation de l'arrière de la laveuse.
- Débrancher le cordon d'alimentation.
- Placer les tuyaux d'arrivée d'eau et le tuyau d'évacuation dans le panier de la laveuse.
- Faire passer le cordon d'alimentation par-dessus le bord et le mettre dans le panier de la laveuse.
- Replacer le support d'emballage issu du matériel d'expédition d'origine à l'intérieur de la laveuse et réutiliser la base d'expédition pour soutenir le moteur et la cuve. Si vous n'avez plus l'emballage d'origine, placer des couvertures lourdes ou des serviettes au-dessus du panier, entre le sommet de la laveuse et le pourtour de la cuve. Fermer le couvercle et placer du ruban adhésif sur la lèvres et jusqu'à la partie inférieure avant de la laveuse. Laisser le couvercle fermé par l'adhésif jusqu'à ce que la laveuse soit installée à son nouvel emplacement.

EN CAS DE BESOIN D'ASSISTANCE

Communiquez avec votre distributeur de produits de buanderie commerciaux autorisé. Pour localiser votre distributeur autorisé de buanderie à usage commercial ou pour toute question par Internet, visitez le www.MaytagCommercialLaundry.com.

Si vous ne parvenez pas à localiser un revendeur, le centre d'aide pour les appareils de buanderie à usage commercial répond à toute question qui n'aurait pas été abordée dans les Instructions d'installation au sujet du fonctionnement ou de l'entretien de la laveuse.

Il suffit de composer le **1 800 662-3587** – l'appel est gratuit.

Lors de votre appel, vous aurez besoin du numéro de modèle et de série de la laveuse. Vous trouverez ces deux numéros sur la plaque signalétique située sur la laveuse.

PIÈCES SUPPLÉMENTAIRES ET ACCESSOIRES

Il se peut que l'installation nécessite des pièces supplémentaires. Pour acheter l'un des articles indiqués ici, composer le numéro sans frais indiqué à la section « Assistance ».

Si vous avez :	Il vous faudra :
Égout surélevé	Tuyau rigide d'évacuation standard de 20 gal (76 L) de 39 po (990 mm) de haut ou évier de décharge, pompe de puisard et connecteurs (disponibles chez les vendeurs de matériel de plomberie locaux)
Tuyau de rejet à l'égout de 1 po (25 mm)	Adaptateur de 2 po (51 mm) à 1 po (25 mm) de diamètre pour le tuyau de rejet à l'égout pièce no 3363920, Trousse de connexion pièce no 285835
Le système d'évacuation obstrué par de la charpie	Protecteur de canalisation pièce no 367031, Trousse de connexion pièce no 285835
Système de vidange au sol	Brise-siphon pièce no 285320, Ensemble de raccordement (x2) pièce no 285835, Prolongateur de tuyau flexible de vidange pièce no 285863
Robinetts d'eau hors d'atteinte des tuyaux d'alimentation	2 tuyaux d'admission d'eau plus longs : Tuyau coudé de 6 pi (1,8 m) pièce no 76314, 10 pi (3,0 m) pièce no 350008
	Les tuyaux d'arrivée d'eau sont vendus en paire dans l'ensemble W10575888.

Si vous avez :	Il vous faudra :
Accessoires	
	Plateaux d'égouttement de la laveuse, pièce no 8212526
	Trousse de distributeur d'assouplissant pour tissu, pièce no 63594
Drain hors de portée du tuyau de vidange	Rallonge du tuyau de vidange de 4 pi (1,2 m) Pièce no DRNEXT4

Whirlpool Corporation, Benton Harbor, Michigan 49022, U.S.A.

INSTRUCTIONS DE CONFIGURATION DES COMMANDES ÉLECTRONIQUES

Utilisation de base de la laveuse commerciale

- Pour plus de renseignements, visiter le www.MaytagCommercialLaundry.com.

AVERTISSEMENT



Risque de choc électrique
Déconnecter la source de courant électrique avant l'entretien.
Replacer pièces et panneaux avant de faire la remise en marche.
Le non-respect de ces instructions peut causer un décès ou un choc électrique.

IMPORTANT

Circuits électroniques sensibles aux décharges électrostatiques

Le risque de décharge électrostatique est permanent. Une décharge électrostatique peut détruire ou détériorer les circuits électroniques de la machine. La nouvelle carte peut sembler fonctionner correctement après la réparation, mais une décharge électrostatique peut lui avoir fait subir des contraintes qui provoqueront une défaillance plus tard.

- Utiliser un bracelet de décharge électrostatique. Connecter le bracelet de décharge électrostatique au point vert de raccordement à la terre ou à une surface métallique non peinte à l'intérieur de la laveuse.

– OU –

Toucher avec le doigt à plusieurs reprises un point vert de raccordement à la terre ou une surface métallique non peinte à l'intérieur de la laveuse.

- Avant de retirer la pièce de son emballage, placer le sachet antistatique en contact avec un point vert de raccordement à la terre ou une surface métallique non peinte à l'intérieur de la laveuse.
- Éviter de toucher les composants électroniques ou les broches de contact; manipuler les circuits électroniques de la machine uniquement par les bords.
- Lors du remballage de circuits électroniques défectueux dans le sachet antistatique, observer les instructions ci-dessus.

RENSEIGNEMENTS GÉNÉRAUX

Affichage vide

Ce problème indique que la laveuse est défectueuse.

« 0 Minutes » apparaît sur l'affichage

Ce problème indique qu'il n'est pas possible de faire fonctionner la laveuse. Les pièces introduites ou le débit par carte engagé pendant cette phase sont stockés en avoir, mais ne sont pas utilisables tant que le fonctionnement normal n'est pas rétabli par l'ouverture et la fermeture de la porte. Si un commutateur de porte échoue, il doit être remplacé pour que le fonctionnement normal soit rétabli.

Démarrage à froid (première utilisation)

La laveuse est programmée à l'usine comme suit :

- POWERWASH (lavage haute puissance) = 12 min d'agitation
MIXED (mixte) = 9 min d'agitation
DELICATES (articles délicats) = 6 min d'agitation
NORMAL ECO = 8 min d'agitation
- MIXED (mixte) = 1 rinçage et 2 minutes d'agitation pendant le rinçage
POWERWASH (lavage haute puissance) = 1 grand rinçage avec essorage
DELICATES (articles délicats) = 1 grand rinçage avec essorage
NORMAL ECO (normal écologique) = 1 rinçage par vaporisation
- MIXED (mixte) = 2,00 \$
DELICATES (articles délicats) = 1,75 \$
POWERWASH (lavage haute puissance) = 2,50 \$
NORMAL ECO = 1,75 \$

Démarrage à chaud (après une panne de courant)

Après un délai pouvant aller jusqu'à 8 secondes, la laveuse revient à la partie du programme en cours au moment de la panne de courant. Appuyer sur START (mise en marche) pour poursuivre le programme.

Programmes gratuits

Cette fonction est établie en réglant le prix du programme sur zéro. Lorsque cela se produit, « SELECT CYCLE » (sélectionner un programme) apparaît et le prix du programme indique 0.00.

Carte de débit prête

Cette laveuse est munie du câblage pour utiliser une carte de débit. Elle accepte divers systèmes de cartes de débit, mais est livrée SANS lecteur de carte de débit. Consulter le fabricant du lecteur de carte de débit pour une installation correcte avec la laveuse. Dans les modèles convertis avec un système à carte de débit de 1^{re} génération, les impulsions de débit représentent l'équivalent d'une pièce (pièce 1).

Affichage

Une fois la laveuse installée et branchée, l'affichage indique « SYnC » pendant quelques secondes, puis « 0 MINUTES » s'affiche. Une fois la laveuse branchée et sa porte ouverte puis fermée, l'affichage indique le prix. Sur les laveuses réglées sur des programmes gratuits, l'affichage indique « SELECT CYCLE » (sélectionner programme) et affiche « PRICE 0.00 » (prix 0,00).



INSTRUCTIONS DE CONFIGURATION DES COMMANDES ÉLECTRONIQUES

Procédures de configuration des commandes

IMPORTANT : Lire toutes les instructions avant la mise en marche.

Les touches inférieures de réglage du tissu et l'affichage numérique servent à régler les commandes. L'affichage peut contenir quatre chiffres ou lettres et un point décimal. Il indique les codes de configuration et les valeurs correspondantes pour la programmation de la laveuse.

Utilisation des touches pour la programmation des commandes

1. La touche POWERWASH (lavage haute puissance) est utilisée pour régler les valeurs associées aux codes de configuration. En appuyant sur la touche, la valeur change par paliers. Un réglage rapide est possible en maintenant la touche enfoncée.
2. La touche MIXED (mixte) fait défiler les codes de paramétrage. Le code de paramétrage possible suivant est atteint en appuyant sur cette touche. Pour passer aux codes de paramétrage suivants à un rythme d'un (1) par seconde, maintenir la touche enfoncée.
3. La touche DELICATES (articles délicats) sélectionne les options ou les annule.
4. La touche TEMPERATURE (température) est utilisée pour diminuer la valeur du code de paramétrage.

Paramétrage en début d'utilisation

- Modèles PD : Insérer la clé d'accès dans la porte, la tourner et la soulever pour retirer la porte d'accès.
- Modèles PR définis pour le fonctionnement gratuit : Se référer au bas de la page 18 pour accéder au paramétrage d'utilisation.
- Modèles PR : Une fois le lecteur de carte de débit installé (conformément aux instructions du fabricant du lecteur), on peut entrer au mode de configuration en insérant une carte de configuration (fournie par le fabricant du lecteur) dans la fente d'insertion de carte. Si l'on ne dispose pas de carte de configuration manuelle, le mode de configuration manuel est accessible en retirant le connecteur AA1 sur la carte de circuits.

IMPORTANT : La console ne doit pas être ouverte avant que l'alimentation de la laveuse soit coupée. Pour accéder au connecteur AA1 :

- Débrancher la laveuse ou déconnecter la source de courant électrique.
- Ouvrir la console, réinsérer la fiche dans le connecteur AA1, fermer la console.
- Brancher la laveuse ou reconnecter la source de courant électrique.

La laveuse est à présent en mode de configuration.

Avant de poursuivre, il convient de noter que malgré toutes les options disponibles, une personne peut simplement choisir de débarrasser une laveuse commerciale neuve, la brancher et disposer d'un appareil fonctionnel.

Codes de configuration

- La touche MIXED (mixte) permet de progresser d'un code au suivant.
- La touche POWERWASH (lavage haute puissance) augmente la valeur du code.
- La touche DELICATES (articles délicats) sélectionne les options ou les annule.
- La touche TEMPERATURE (température) réduit la valeur du code.

POUR LES MODÈLES PR : Les codes de paramétrage sont les mêmes que pour les modèles « PD », sauf indication contraire.

Le code de configuration est indiqué par un ou deux caractères à gauche. La valeur du code de configuration est indiquée par deux ou trois caractères à droite.

CODE	EXPLICATION
6.07 DELICATES (articles délicats)	Prix d'un programme DELICATES (articles délicats) – Augmenter ou réduire le prix entre 0 et 200 en appuyant sur la touche POWERWASH (lavage haute puissance) ou TEMPERATURE (température). Valeur préréglée en usine pour 7 pièces de 0,25 \$ = 1,75 \$. MODÈLES PR/PN SEULEMENT : Valeur préréglée en usine pour 0 pièce de 0,25 \$ (fonctionnement gratuit).

CODE	EXPLICATION
6.07 NORMAL ECO (normal écologique)	Prix d'un programme NORMAL ECO – Augmenter ou réduire le prix entre 0 et 200 en appuyant sur la touche POWERWASH (lavage haute puissance) ou TEMPERATURE (température). Valeur préréglée en usine pour 7 pièces de 0,25 \$ = 1,75 \$. MODÈLES PR/PN SEULEMENT : Valeur préréglée en usine pour 0 pièce de 0,25 \$ (fonctionnement gratuit).
6.07 POWERWASH (lavage haute puissance)	Prix d'un programme POWERWASH (lavage haute puissance) – Augmenter ou réduire le prix entre 0 et 200 en appuyant sur la touche POWERWASH (lavage haute puissance) ou TEMPERATURE (température). Valeur préréglée en usine pour 7 pièces de 0,25 \$ = 1,75 \$. MODÈLES PR/PN SEULEMENT : Valeur préréglée en usine pour 0 pièce de 0,25 \$ (fonctionnement gratuit).
6.08 MIXED (mixte)	Prix d'un programme MIXED (mixte) – Augmenter ou réduire le prix entre 0 et 200 en appuyant sur la touche POWERWASH (lavage haute puissance) ou TEMPERATURE (température). Valeur préréglée en usine pour 8 pièces de 0,25 \$ = 2,00 \$. MODÈLES PR/PN SEULEMENT : Valeur préréglée en usine pour 0 pièce de 0,25 \$ (fonctionnement gratuit).
→ Appuyer une fois sur la touche MIXED (mixte) pour passer au code suivant.	
P.déf	Tarifification du programme par défaut affichée en attente – augmenter ou diminuer entre MIXED (mixte), DELICATES (articles délicats), POWERWASH (lavage haute puissance), NORMAL ECO en appuyant sur la touche POWERWASH (lavage haute puissance) ou TEMPERATURE (température). Réglée en usine sur MIXED (mixte).
7.00	DURÉE DE LAVAGE SUPPLÉMENTAIRE
7.00	C'est le nombre de minutes qui peuvent être ajoutées à un programme de lavage. Choisir de 00 à 05 minutes en appuyant sur la touche POWERWASH (lavage haute puissance).
→ Appuyer une fois sur la touche MIXED (mixte) pour passer au code suivant.	
8.00	DURÉE DE RINÇAGE SUPPLÉMENTAIRE
8.00	C'est le nombre de minutes qui peuvent être ajoutées à un programme de rinçage. Choisir de 00 à 05 minutes en appuyant sur la touche POWERWASH (lavage haute puissance).
→ Appuyer une fois sur la touche MIXED (mixte) pour passer au code suivant.	
9.00	OPTION DE COMPTAGE DES PROGRAMMES Cette option est soit SÉLECTIONNÉE « ON » (activée), soit NON SÉLECTIONNÉE « OFF » (désactivé).
9.00	Non sélectionnée : « OFF » (désactivé).
9.0C	Activée par sélection; ne peut pas être désélectionnée. Appuyer sur la touche DELICATES (articles délicats) 3 fois de suite pour sélectionner « ON » (activée). Une fois à « ON » (activée), il n'est pas possible d'annuler la sélection.
→ Appuyer une fois sur la touche MIXED (mixte) pour passer au code suivant.	
1.00	OPTION DE COMPTAGE DE MONNAIE Cette option est soit SÉLECTIONNÉE « ON » (activée), soit NON SÉLECTIONNÉE « OFF » (désactivé).
1.00	Non sélectionnée : « OFF » (désactivé).
1.0C	Option sélectionnée : « ON » (activée). Appuyer sur la touche DELICATES (articles délicats) 3 fois de suite pour sélectionner « ON » (activée) et 3 autres fois de suite pour sélectionner « OFF » (désactivé). Le compteur se remet à zéro en passant de l'option « OFF » (désactivé) à l'option « ON » (activée).
1.C0	Activée par sélection; ne peut pas être désélectionnée. Pour sélectionner l'option « ON » (activée) sans possibilité de l'annuler, sélectionner d'abord « ON » (activée), puis, en moins de 2 secondes, appuyer deux fois sur la touche DELICATES (articles délicats) et une fois sur la touche POWERWASH (lavage haute puissance) et quitter le mode de paramétrage.
→ Appuyer une fois sur la touche MIXED (mixte) pour passer au code suivant.	
2.00	OPTION DE TARIF SPÉCIAL Cette option est soit SÉLECTIONNÉE « ON » (activée) soit NON SÉLECTIONNÉE « OFF » (désactivé).
2.00	Non sélectionnée : « OFF » (désactivé).
2.SP	Option sélectionnée : « ON » (activée). Appuyer une fois sur la touche DELICATES (articles délicats) pour cette sélection.
Si l'option de prix spécial est sélectionnée, les codes « 3 » à « 9 » sont accessibles. REMARQUE : Une pile externe doit être ajoutée pour que l'horloge fonctionne pendant les périodes de panne de courant. → Appuyer une fois sur la touche MIXED (mixte) pour passer au code suivant.	

INSTRUCTIONS DE CONFIGURATION DES COMMANDES ÉLECTRONIQUES

CODE	EXPLICATION																								
OPTIONS ACCESSIBLES LORSQUE L'OPTION DE TARIF SPÉCIAL EST SÉLECTIONNÉE :																									
3.07 DELICATES (articles délicats)	Prix spécial d'un programme DELICATES (articles délicats) – Augmenter ou réduire le prix entre 0 et 200 en appuyant sur la touche POWERWASH (lavage haute puissance) ou TEMPERATURE (température). Valeur préréglée en usine pour 7 pièces de 0,25 \$ = 1,75 \$. MODELES PR/PN SEULEMENT : Valeur préréglée en usine pour 0 pièce de 0,25 \$ (fonctionnement gratuit).																								
3.07 Normal ECO	Prix spécial d'un programme Normal ECO – Augmenter le prix entre 0 et 200 en appuyant sur la touche POWERWASH (lavage haute puissance) et diminuer le prix en appuyant sur la touche TEMPERATURE. Valeur préréglée en usine pour 7 pièces de 0,25 \$ = 1,75 \$. MODELES PR/PN SEULEMENT : Valeur préréglée en usine pour 0 pièce de 0,25 \$ (fonctionnement gratuit).																								
3.07 POWERWASH (lavage haute puissance)	Prix spécial d'un programme POWERWASH (lavage haute puissance) – Augmenter ou réduire le prix entre 0 et 200 en appuyant sur la touche POWERWASH (lavage haute puissance) ou TEMPERATURE (température). Valeur préréglée en usine pour 7 pièces de 0,25 \$ = 1,75 \$. MODELES PR/PN SEULEMENT : Valeur préréglée en usine pour 0 pièce de 0,25 \$ (fonctionnement gratuit).																								
3.08 MIXED (mixte)	Prix spécial d'un programme MIXED (mixte) – Augmenter ou réduire le prix entre 0 et 200 en appuyant sur la touche POWERWASH (lavage haute puissance) ou TEMPERATURE (température). Valeur préréglée en usine pour 8 pièces de 0,25 \$ = 2,00 \$. MODELES PR/PN SEULEMENT : Valeur préréglée en usine pour 0 pièce de 0,25 \$ (fonctionnement gratuit).																								
→ Appuyer une fois sur la touche MIXED (mixte) pour passer au code suivant.																									
5.00	MINUTES DE L'HORLOGE																								
5.00	Paramétrage des minutes de l'horloge; choisir une valeur entre 0 et 59 minutes en appuyant sur la touche POWERWASH (lavage haute puissance) ou TEMPERATURE (température).																								
→ Appuyer une fois sur la touche MIXED (mixte) pour passer au code suivant.																									
6.00	HEURES DE L'HORLOGE REMARQUE : Utilisez le format sur 24 heures.																								
6.00	Paramétrage des heures de l'horloge; choisir une valeur entre 0 et 23 heures en appuyant sur la touche POWERWASH (lavage haute puissance) ou TEMPERATURE (température).																								
→ Appuyer une fois sur la touche MIXED (mixte) pour passer au code suivant.																									
7.00	HEURE DE DÉBUT DU TARIF SPÉCIAL REMARQUE : Utilisez le format sur 24 heures.																								
7.00	Paramétrage de l'heure de mise en marche; choisir une valeur entre 0 et 23 heures en appuyant sur la touche POWERWASH (lavage haute puissance) ou TEMPERATURE (température).																								
→ Appuyer une fois sur la touche MIXED (mixte) pour passer au code suivant.																									
8.00	HEURE DE FIN DU TARIF SPÉCIAL REMARQUE : Utilisez le format sur 24 heures.																								
8.00	Paramétrage de l'heure d'arrêt; choisir une valeur entre 0 et 23 heures en appuyant sur la touche POWERWASH (lavage haute puissance) ou TEMPERATURE (température).																								
→ Appuyer une fois sur la touche MIXED (mixte) pour passer au code suivant.																									
9.00	JOUR À TARIF SPÉCIAL																								
9.10	Représente le jour de la semaine et indique si un prix spécial est sélectionné pour ce jour. Un nombre suivi de « 0 » indique l'absence de sélection pour ce jour particulier (9,10). Un nombre suivi de « S » indique une sélection pour ce jour particulier (9,1S). Les jours de la semaine (1-7) peuvent être sélectionnés en appuyant sur la touche POWERWASH (lavage haute puissance). Appuyer une fois sur la touche POWERWASH (lavage haute puissance) pour sélectionner le prix spécial pour chaque jour choisi. En quittant le code de paramétrage « 9 », l'affichage doit indiquer le jour actuel de la semaine :																								
	<table border="1"> <thead> <tr> <th>AFFICHAGE</th> <th>JOUR DE LA SEMAINE</th> <th>CODE (sélectionné)</th> </tr> </thead> <tbody> <tr> <td>10</td> <td>Jour 1 = dimanche</td> <td>1S</td> </tr> <tr> <td>20</td> <td>Jour 2 = lundi</td> <td>2S</td> </tr> <tr> <td>30</td> <td>Jour 3 = mardi</td> <td>3S</td> </tr> <tr> <td>40</td> <td>Jour 4 = mercredi</td> <td>4S</td> </tr> <tr> <td>50</td> <td>Jour 5 = jeudi</td> <td>5S</td> </tr> <tr> <td>60</td> <td>Jour 6 = vendredi</td> <td>6S</td> </tr> <tr> <td>70</td> <td>Jour 7 = samedi</td> <td>7S</td> </tr> </tbody> </table>	AFFICHAGE	JOUR DE LA SEMAINE	CODE (sélectionné)	10	Jour 1 = dimanche	1S	20	Jour 2 = lundi	2S	30	Jour 3 = mardi	3S	40	Jour 4 = mercredi	4S	50	Jour 5 = jeudi	5S	60	Jour 6 = vendredi	6S	70	Jour 7 = samedi	7S
AFFICHAGE	JOUR DE LA SEMAINE	CODE (sélectionné)																							
10	Jour 1 = dimanche	1S																							
20	Jour 2 = lundi	2S																							
30	Jour 3 = mardi	3S																							
40	Jour 4 = mercredi	4S																							
50	Jour 5 = jeudi	5S																							
60	Jour 6 = vendredi	6S																							
70	Jour 7 = samedi	7S																							

CODE	EXPLICATION
→ Appuyer une fois sur la touche MIXED (mixte) pour passer au code suivant.	
A.00	OPTION D'AFFICHAGE DU COFFRE Cette option est soit SÉLECTIONNÉE « ON » (activée), soit NON SÉLECTIONNÉE « OFF » (désactivé).
A.00	Non sélectionnée : « OFF » (désactivé).
A.SC	Option sélectionnée : « ON » (activée). Appuyer une fois sur la touche DELICATES (articles délicats) pour cette sélection. Lorsque cette option est sélectionnée, le compteur de monnaie ou de programmes peut être affiché (selon l'option sélectionnée) lorsque la boîte à monnaie est retirée.
→ Appuyer une fois sur la touche MIXED (mixte) pour passer au code suivant.	
b.05	VALEUR DE LA PIÈCE 1
b.05	Représente la valeur de la pièce 1 en nombre de pièces de 0,05 \$: 05 = 0,25 \$. Appuyer sur la touche POWERWASH (lavage haute puissance) ou TEMPERATURE (température) pour choisir entre 1 et 199 pièces de 0,05 \$.
→ Appuyer une fois sur la touche MIXED (mixte) pour passer au code suivant.	
C.20	VALEUR DE LA PIÈCE 2
C.20	Représente la valeur de la pièce 2 en nombre de pièces de 0,05 \$: 20 = 1,00 \$. MODELES PR UNIQUEMENT : Valeur préréglée en usine pour 0,25 \$. Appuyer sur la touche POWERWASH (lavage haute puissance) ou TEMPERATURE (température) pour choisir entre 1 et 199 pièces de 0,05 \$.
→ Appuyer une fois sur la touche MIXED (mixte) pour passer au code suivant.	
d.00	OPTION GLISSIÈRE À PIÈCES Cette option est soit SÉLECTIONNÉE « ON » (activée), soit NON SÉLECTIONNÉE « OFF » (désactivé).
d.00	Non sélectionnée : « OFF » (désactivé).
d.CS	Option sélectionnée : « ON » (activée). Appuyer 3 fois de suite sur la touche DELICATES (articles délicats) pour cette sélection. Une fois le mode glissière à pièces sélectionné, paramétrer « b. » sur la valeur d'une descente en pièces de 0,05 \$. Régler l'étape 6 (prix de programme normal) et l'étape 3 (prix de programme spécial) sur le nombre de descentes de pièces. Si l'installateur règle « CS » sur un modèle de chute de pièces, les pièces ne sont pas enregistrées.
→ Appuyer une fois sur la touche MIXED (mixte) pour passer au code suivant.	
E.00	OPTIONS NOMBRE DE PIÈCES Cette option est soit SÉLECTIONNÉE « ON » (activée), soit NON SÉLECTIONNÉE « OFF » (désactivé). Avec cette option, l'affichage client indique le nombre de pièces (pièce 1) à insérer plutôt que le montant en dollars et cents.
E.00	Non sélectionnée : « OFF » (désactivé).
E.AC	Option sélectionnée : « ON » (activée). Appuyer 3 fois de suite sur la touche DELICATES (articles délicats) pour cette sélection.
→ Appuyer une fois sur la touche MIXED (mixte) pour passer au code suivant.	
H.00 COLD (froide)	Modification du prix pour température d'eau froide – Augmenter ou réduire le prix entre 0 et 200 en appuyant sur la touche POWERWASH (lavage haute puissance) ou TEMPERATURE (température). Valeur préréglée en usine pour 0 pièces de 0,25 \$ = 0,00 \$.
H.00 COOL (fraîche)	Modification du prix pour température d'eau fraîche – Augmenter ou réduire le prix entre 0 et 200 en appuyant sur la touche POWERWASH (lavage haute puissance) ou TEMPERATURE (température). Valeur préréglée en usine pour 0 pièces de 0,25 \$ = 0,00 \$.
H.00 WARM (tiède)	Modification du prix pour température d'eau tiède – Augmenter ou réduire le prix entre 0 et 200 en appuyant sur la touche POWERWASH (lavage haute puissance) ou TEMPERATURE (température). Valeur préréglée en usine pour 0 pièces de 0,25 \$ = 0,00 \$.
H.01 HOT (chaude)	Modification du prix pour température d'eau chaude – Augmenter ou réduire le prix entre 0 et 200 en appuyant sur la touche POWERWASH (lavage haute puissance) ou TEMPERATURE (température). Valeur préréglée en usine pour 1 pièce de 0,25 \$ = 0,25 \$.

INSTRUCTIONS DE CONFIGURATION DES COMMANDES ÉLECTRONIQUES

CODE	EXPLICATION
H.01 HEAVY (très sales)	Modification du prix pour HEAVY SOIL LEVEL (saletés abondantes) – Augmenter ou réduire le prix entre 0 et 200 en appuyant sur la touche POWERWASH (lavage haute puissance) ou TEMPERATURE (température). Valeur préréglée en usine pour 1 pièce de 0,25 \$ = 0,25 \$.
H.01 EXTRA RINSE (rinçage supplémentaire)	Modification du prix pour EXTRA RINSE (rinçage supplémentaire) – Augmenter ou réduire le prix entre 0 et 200 en appuyant sur la touche POWERWASH (lavage haute puissance) ou TEMPERATURE (température). Valeur préréglée en usine pour 1 pièce de 0,25 \$ = 0,25 \$.
→ Appuyer une fois sur la touche MIXED (mixte) pour passer au code suivant.	
J.Cd	OPTION DE PIÈCES/DÉBIT
J.Cd	Modes pièces et carte de débit sélectionnés.
J.C_	Mode pièces sélectionné, mode carte de débit désactivé. Appuyer 3 fois sur la touche DELICATES (articles délicats) pour cette sélection.
J._d	Mode carte de débit sélectionné, mode pièces désactivé. Appuyer 3 fois sur la touche DELICATES (articles délicats) pour cette sélection.
J.Ed	L'option débit amélioré est automatiquement sélectionnée lorsqu'un lecteur de cartes de 2 ^e génération est installé dans la laveuse. L'option « Ed » ne peut pas être sélectionnée ou désactivée manuellement.
→ Appuyer une fois sur la touche MIXED (mixte) pour passer au code suivant.	
L.00	OPTION DE SUPPRESSION DU PRIX Cette option indique sur l'afficheur client « ADD » (introduire) ou « AVAILABLE » (disponible) au lieu du montant à ajouter (utilisé principalement avec les installations à carte de débit).
L.00	Non sélectionnée : « OFF » (désactivé).
L.PS	Option sélectionnée : « ON » (activée). Appuyer une fois sur la touche DELICATES (articles délicats) pour cette sélection.
→ Appuyer une fois sur la touche MIXED (mixte) pour passer au code suivant.	
n. CE	OPTION D'ANNULATION DE DÉPÔT Lorsque cette option est sélectionnée, l'argent détenu en dépôt sans ajout supplémentaire ou activité de programme pendant 30 minutes est effacé.
n. CE	Option sélectionnée : « ON » (activée).
n. 00	Non sélectionnée : « OFF » (désactivé). Appuyer une fois sur la touche DELICATES pour désactiver cette sélection.
→ Appuyer une fois sur la touche MIXED (mixte) pour passer au code suivant.	
U.00	COMPENSATION PAR INCRÉMENTS EN CENTS
U.00	Représente la compensation du prix par incréments en centièmes utilisée dans les modèles PR de 2 ^e génération (débit amélioré). Choisir entre 0 et 4 pièces de 0,01 \$ en appuyant sur la touche POWERWASH (lavage haute puissance).
→ Appuyer une fois sur la touche MIXED (mixte) pour passer au code suivant.	
A3.03	Réglages du programme MIXED (mixte). Permet au propriétaire de sélectionner les options de programme par défaut telles que la température d'eau, le degré de saleté et le rinçage supplémentaire. Voir le tableau 1 pour les réglages spécifiques. Le programme MIXED (mixte) est réglé à 03 par l'usine.
A4.01	Réglages du programme DELICATES (articles délicats). Permet au propriétaire de sélectionner les options de programme par défaut telles que la température d'eau, le degré de saleté et le rinçage supplémentaire. Voir le tableau 1 pour les réglages spécifiques. Le programme pour articles délicats est réglé à 01 par l'usine.
A5.1C	Réglages du programme POWERWASH (lavage haute puissance). Permet au propriétaire de sélectionner les options de programme par défaut telles que la température d'eau, le degré de saleté et le rinçage supplémentaire. Voir le tableau 1 pour les réglages spécifiques. Le programme de lavage haute puissance est réglé à 1C par l'usine.
A6.03	Réglages du programme NORMAL ECO (normal écologique). Permet au propriétaire de sélectionner les options de programme par défaut telles que la température d'eau, le degré de saleté et le rinçage supplémentaire. Voir le tableau 1 pour les réglages spécifiques. Le programme Normal Eco (normal écologique) est réglé à 03 par l'usine.

Si le compteur de programmes (9.0C) est sélectionné, le calcul du total est le suivant :

1 xx	nombre de programmes en MILLIERS.	1 02	= 2 000
2xxx	nombre de programmes UNITAIRES.	2225	= 225
			TOTAL DES PROGRAMMES = 2 225

AFFICHAGE SEULEMENT : l'annulation n'est pas possible. Appuyer une fois sur la touche MIXED (mixte) pour passer au code suivant.

Si le compteur de monnaie (1.0C ou 1.C0) est sélectionné, le calcul du total est le suivant :

3 xx	Nombre de CENTAINES de dollars.	3 01	= 1 000,00 \$
4xxx	Nombre de dollars UNITAIRES.	4600	= 600,00 \$
5 xx	Nombre de CENTS.	5 75	= 00,75 \$
			TOTAL = 1 600,75 \$

FIN DES OPÉRATIONS DE PARAMÉTRAGE

QUITTER LE MODE DE PARAMÉTRAGE

- Modèles PD : réinstaller la porte d'accès.
- Modèles PR :
 - Débrancher la laveuse ou déconnecter la source de courant électrique.
 - Ouvrir la console, réinsérer la fiche dans le connecteur AA1, fermer la console.
 - Brancher la laveuse ou reconnecter la source de courant électrique.

Une autre méthode consiste à patienter pendant 2 minutes d'inactivité. Tous les réglages sont mémorisés et l'afficheur repasse à l'écran de sélection du programme.

Tableau 1

A3, A4, A5, A6	Rinçage supplémentaire	Degré de saleté (Saleté intense-On, Normal-Off)	Température de l'eau	A3, A4, A5, A6	Rinçage supplémentaire	Degré de saleté (Saleté intense-On, Normal-Off)	Température de l'eau
00	Off (désactivé)	Off (désactivé)	Tap Cold (froide du robinet)	10	On (activée)	Off (désactivé)	Tap Cold (froide du robinet)
01	Off (désactivé)	Off (désactivé)	Cold (froide)	11	On (activée)	Off (désactivé)	Cold (froide)
02	Off (désactivé)	Off (désactivé)	Cool (fraîche)	12	On (activée)	Off (désactivé)	Cool (fraîche)
03	Off (désactivé)	Off (désactivé)	Warm (tiède)	13	On (activée)	Off (désactivé)	Warm (tiède)
04	Off (désactivé)	Off (désactivé)	Hot (chaude)	14	On (activée)	Off (désactivé)	Hot (chaude)
08	Off (désactivé)	On (activée)	Tap Cold (froide du robinet)	18	On (activée)	On (activée)	Tap Cold (froide du robinet)
09	Off (désactivé)	On (activée)	Cold (froide)	19	On (activée)	On (activée)	Cold (froide)
A	Off (désactivé)	On (activée)	Cool (fraîche)	1A	On (activée)	On (activée)	Cool (fraîche)
B	Off (désactivé)	On (activée)	Warm (tiède)	1B	On (activée)	On (activée)	Warm (tiède)
C	Off (désactivé)	On (activée)	Hot (chaude)	1C	On (activée)	On (activée)	Hot (chaude)

Code d'accès pour entretien par un technicien

Cette méthode est disponible uniquement sur les laveuses PR réglées pour un fonctionnement gratuit (6 00).

Pour accéder au mode d'entretien :

En moins de 10 secondes, appuyez sur les touches POWERWASH (lavage haute puissance), EXTRA RINSE (rinçage supplémentaire), TEMPERATURE (température) et DELICATES (articles délicats).

Pour quitter le mode d'entretien :

Depuis le code de service 8.xx, appuyer sur la touche POWERWASH (lavage haute puissance) pendant 4 secondes.

ou
Attendre 2 minutes sans appuyer sur aucune touche (alors qu'aucun mode de diagnostic n'est activé).

ou
Couper l'alimentation électrique de la laveuse, puis rétablir l'alimentation électrique.

REMARQUE : Si un programme d'entretien est en cours en quittant le mode d'entretien, il se termine normalement, avec l'affichage des informations d'état du programme. L'affichage retrouve son mode de fonctionnement normal pour les clients à la fin du programme.

SEGURIDAD DE LA LAVADORA

Su seguridad y la seguridad de los demás es muy importante.

Hemos incluido muchos mensajes importantes de seguridad en este manual y en su electrodoméstico. Lea y obedezca siempre todos los mensajes de seguridad.



Este es el símbolo de alerta de seguridad.

Este símbolo le llama la atención sobre peligros potenciales que pueden ocasionar la muerte o una lesión a usted y a los demás.

Todos los mensajes de seguridad irán a continuación del símbolo de advertencia de seguridad y de la palabra "PELIGRO" o "ADVERTENCIA". Estas palabras significan:

⚠ PELIGRO

Si no sigue las instrucciones de inmediato, usted puede morir o sufrir una lesión grave.

⚠ ADVERTENCIA

Si no sigue las instrucciones, usted puede morir o sufrir una lesión grave.

Todos los mensajes de seguridad le dirán el peligro potencial, le dirán cómo reducir las posibilidades de sufrir una lesión y lo que puede suceder si no se siguen las instrucciones.

INSTRUCCIONES IMPORTANTES DE SEGURIDAD

ADVERTENCIA: Para reducir el riesgo de incendio, choque eléctrico o lesiones a personas al usar su lavadora, siga las precauciones básicas, incluyendo las siguientes:

- Lea todas las instrucciones antes de usar la lavadora.
- No lave artículos que hayan sido previamente limpiados, lavados, remojados o humedecidos con gasolina, solventes para lavar en seco, u otras sustancias inflamables o explosivas ya que éstas emanan vapores que podrían encenderse o causar una explosión.
- No agregue gasolina, solventes para lavar en seco, u otras sustancias inflamables o explosivas al agua de lavado. Estas sustancias emanan vapores que podrían encenderse o causar una explosión.
- En ciertas condiciones, puede generarse gas hidrógeno en un sistema de agua caliente que no se haya usado por dos semanas o un período mayor. **EL GAS HIDRÓGENO ES EXPLOSIVO.** Si no se ha usado el agua caliente durante dicho período, antes de usar la lavadora, abra todos los grifos de agua caliente y deje que corra el agua por varios minutos. Esto liberará todo el gas hidrógeno que se haya acumulado. Debido a la inflamabilidad de dicho gas, no fume ni use una llama abierta durante este lapso.
- No permita que los niños jueguen encima o dentro de la lavadora. Es necesario una supervisión cuidadosa de los niños toda vez que se use la lavadora cerca de ellos.
- Antes de poner la lavadora fuera de servicio o desecharla, quítele la puerta o la tapa.
- No introduzca las manos en la lavadora si el tambor, la tina, o el agitador están funcionando.
- No instale ni almacene esta lavadora donde pudiese estar sometida a la intemperie.
- No trate de forzar los controles.
- No repare ni cambie pieza alguna de la lavadora ni intente realizar tarea alguna de servicio técnico, excepto cuando así se le indique específicamente en este manual o en instrucciones de reparación para el usuario publicadas, que usted entienda y para cuya ejecución cuente con la habilidad necesaria.
- Para obtener información respecto a las instrucciones de conexión a tierra, consulte "Requisitos eléctricos" en las instrucciones de instalación.
- No lave prendas resistentes o tipo resistentes al agua. No seguir de cerca estas instrucciones puede resultar en una condición de vibración anormal y desequilibrio que podría ocasionar lesiones físicas, daños a la propiedad y/o daños al aparato.

GUARDE ESTAS INSTRUCCIONES

PARA SU SEGURIDAD

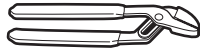
No almacene ni use gasolina u otros vapores y líquidos inflamables cerca de este ni ningún otro electrodoméstico.

HERRAMIENTAS Y PIEZAS

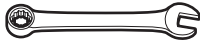
Herramientas necesarias:



Nivel



Pinzas

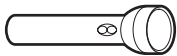


Llave de extremo abierto de 9/16" (14 mm)



Destornillador de hoja plana

Herramientas optativas:



Linterna

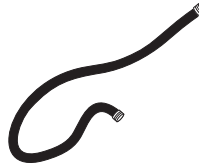


Cubeta



Cuchillo para uso general

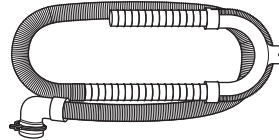
Piezas suministradas:



Manguera de entrada de agua (2)

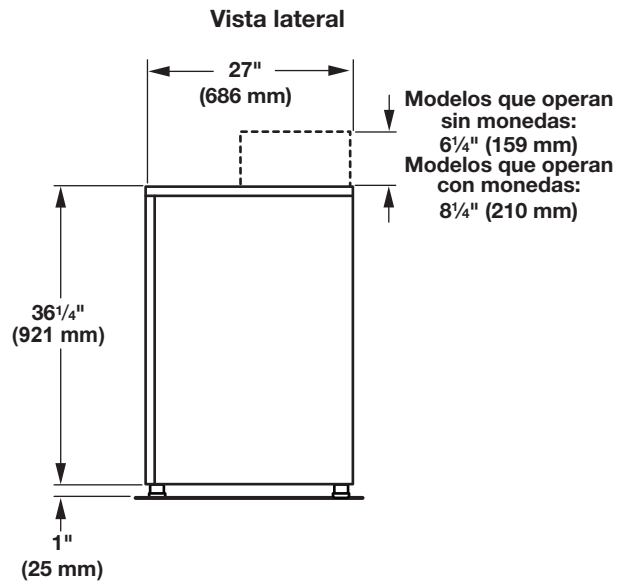
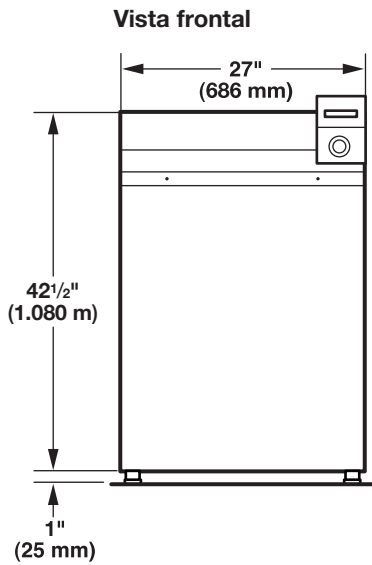


Arandelas de manguera de entrada de agua (4)



Manguera de desagüe con abrazadera, molde en forma de U y atadura para cables

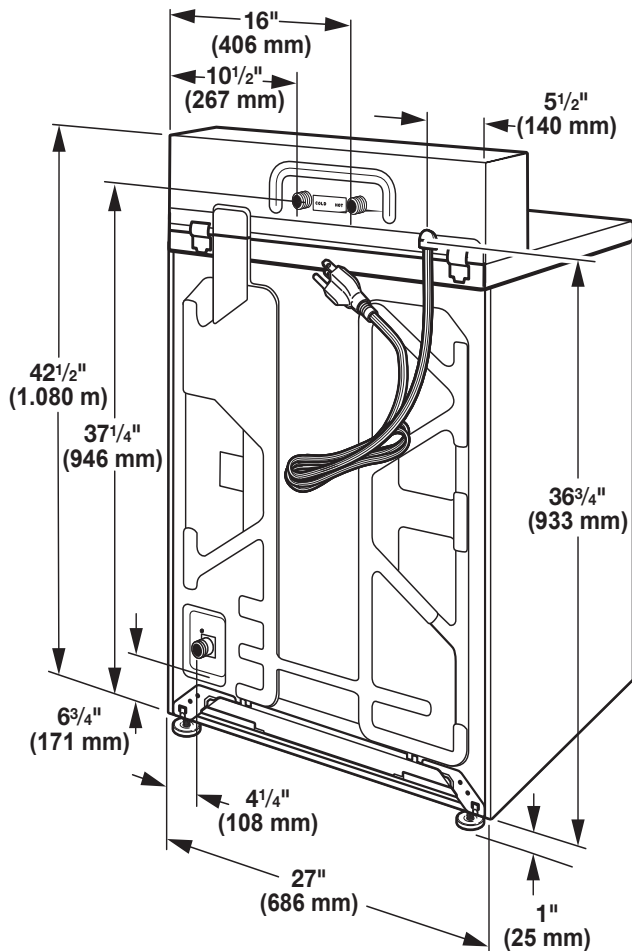
DIMENSIONES



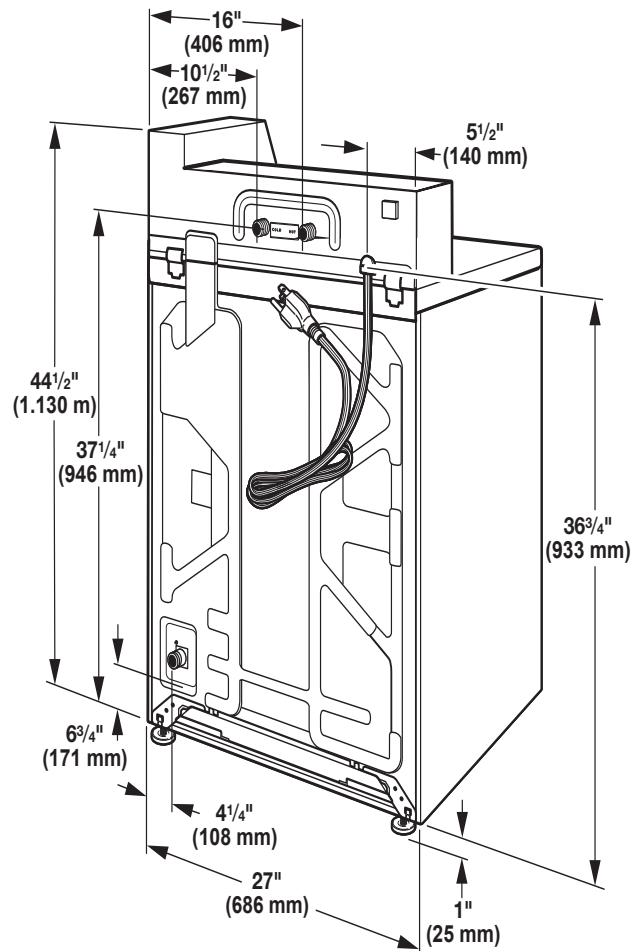
DIMENSIONES

Vista posterior

Modelos que operan sin monedas



Modelos que operan con monedas



REQUISITOS DE LA UBICACIÓN

La selección de una ubicación apropiada para la lavadora mejora el rendimiento y reduce al mínimo el ruido y posibles "desplazamientos" de la lavadora.

La lavadora se puede instalar en un sótano, cuarto para lavar o un lugar empotrado. Consulte "Sistema de desagüe".

También se deberán tener en cuenta los requisitos para la ubicación de otro electrodoméstico que lo acompañe.

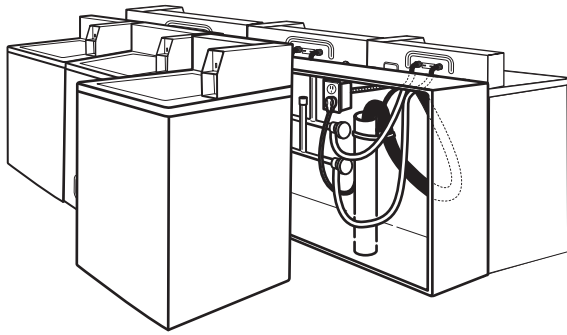
IMPORTANTE: No instale o almacene la lavadora en lugares donde quede expuesta a la intemperie. No almacene ni opere la lavadora a temperaturas de 32 °F (0 °C) o inferiores. El agua que quede en la lavadora puede ocasionar daños a bajas temperaturas. La instalación correcta es su responsabilidad.

Necesitará lo siguiente:

- Fije el calentador de agua en 120 °F (49 °C).
- Un tomacorriente con conexión a tierra ubicado a no más de 4 pies (1,2 m) del cable eléctrico detrás de la lavadora. Consulte "Requisitos eléctricos".
- Grifos de agua caliente y fría ubicadas dentro de 4 pies (1,2 m) de válvulas de llenado de agua fría y caliente en la lavadora

y presión de agua de 20 a 100 psi (138 a 690 kPa). Debe usarse una válvula de reducción de presión en la línea de suministro donde la presión de entrada hacia el edificio exceda 100 psi (690 kPa) para evitar daños a la válvula de mezcla de la lavadora.

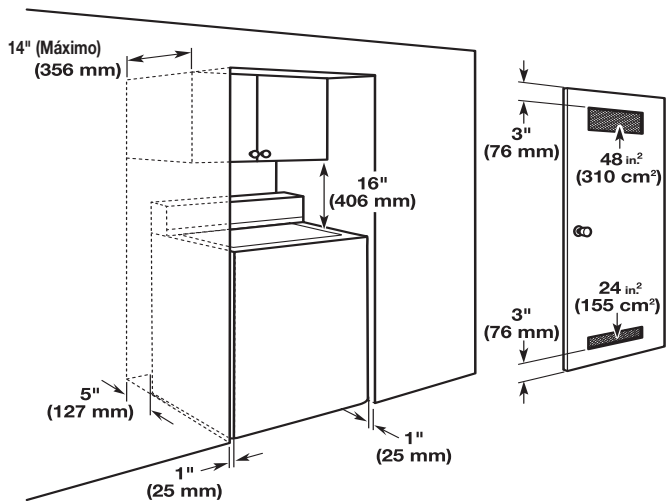
- Para las instalaciones con lavadoras simples se requieren montantes de un mínimo de 12" (300 mm) para que provean una cámara de aire, y eviten el ruido y los daños a las válvulas.
- Un piso nivelado con un declive máximo de 1" (25 mm) debajo de la lavadora completa. No se recomienda la instalación sobre alfombra.
- El piso debe soportar el peso total de la lavadora (con el agua y la carga) de 315 lb (143 kg).
- Un desagüe de piso debajo del tabique. Los tabiques divisorios prefabricados con contactos eléctricos, las líneas de entrada de agua y las instalaciones con desagües deben ser usados únicamente donde los códigos locales lo permitan.



Instalación en zona empotrada o en clóset

Esta lavadora podrá instalarse en un área empotrada o en un clóset. Las dimensiones de instalación que se ilustran a continuación son para los espacios mínimos permitidos. Debe considerarse espacio adicional para facilitar la instalación y el servicio técnico. Si se instala una puerta de clóset, se requieren aberturas de aire mínimas en la parte superior e inferior de la puerta. Son aceptables las puertas con persianas que tengan aberturas de aire en la parte superior e inferior. Se deberán tener en cuenta los requisitos para la ubicación de otro electrodoméstico que lo acompañe.

Espacio mínimo para la instalación



INSTRUCCIONES DE INSTALACIÓN

⚠ ADVERTENCIA

Peligro de Peso Excesivo

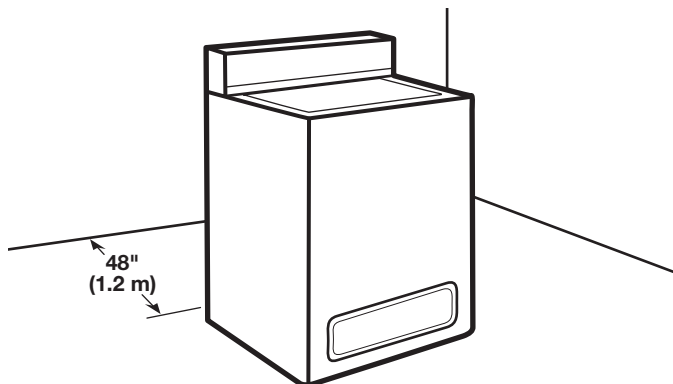
Use dos o más personas para mover e instalar la lavadora.

No seguir esta instrucción puede ocasionar una lesión en la espalda u otro tipo de lesiones.

Es necesario quitar todos los materiales de envío para la operación adecuada y evitar el ruido excesivo de la lavadora.

1. Mueva la lavadora a 4 pies (1,2 m) de su ubicación final; debe estar en posición vertical.

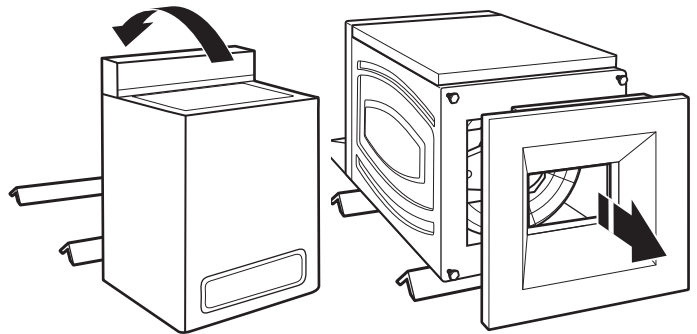
NOTA: Para evitar daños en el piso, coloque la lavadora sobre un cartón antes de moverla y asegúrese de que la tapa esté cerrada con cinta adhesiva.



2. Para evitar dañar el piso, coloque soportes de cartón hechos con el cartón del empaque en el piso debajo de la lavadora. Inclíne la lavadora hacia atrás y colóquela sobre los soportes de cartón. Retire la base del envío. Deje la lavadora en posición vertical.

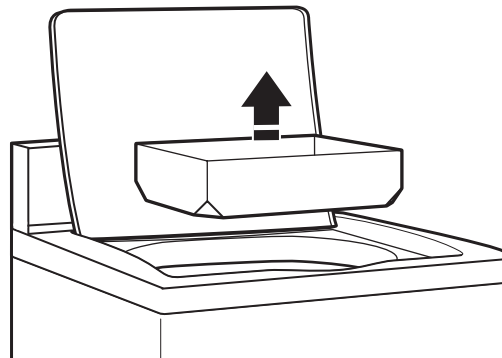
IMPORTANTE: Para un funcionamiento adecuado es necesario quitar la base de transporte.

NOTA: Guarde la base de envío por si necesita mover la lavadora más tarde.



3. Quite la cinta adhesiva de la tapa de la lavadora, abra la tapa y saque la bandeja de empaque de cartón de la tina. Asegúrese de retirar todas las piezas de la bandeja.

NOTA: Guarde la bandeja por si necesita mover la lavadora más tarde.



NIVELACIÓN DE LA LAVADORA

IMPORTANTE: Nivele la lavadora correctamente para reducir el exceso de ruido y vibración.

⚠️ ADVERTENCIA

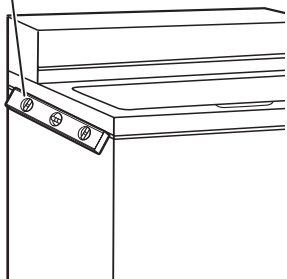
Peligro de Peso Excesivo

Use dos o más personas para mover e instalar la lavadora.

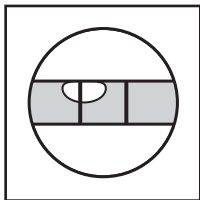
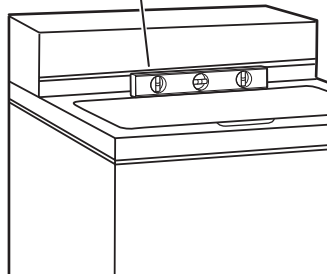
No seguir esta instrucción puede ocasionar una lesión en la espalda u otro tipo de lesiones.

1. Mueva la lavadora a su ubicación final. Coloque un nivel sobre los bordes superiores de la lavadora. Use la hendidura lateral como una guía para revisar la nivelación de los lados. Revise la nivelación del frente usando la tapa, como se muestra. Balancee la lavadora hacia adelante y hacia atrás para asegurarse de que los 4 pies hagan contacto firme con el piso.

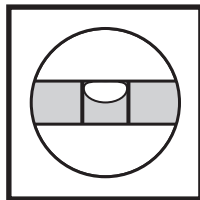
Coloque el nivel aquí



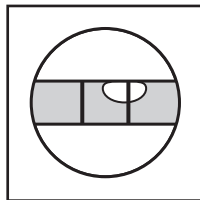
Coloque el nivel aquí



No está nivelada



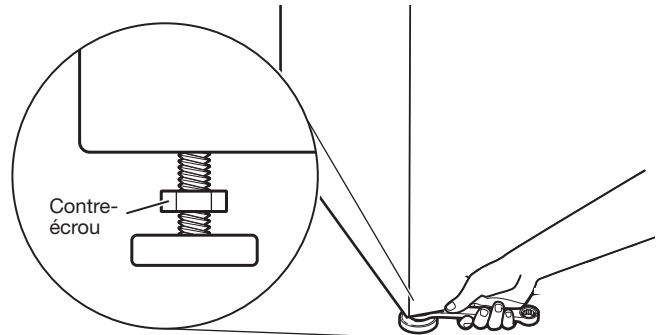
NIVEL



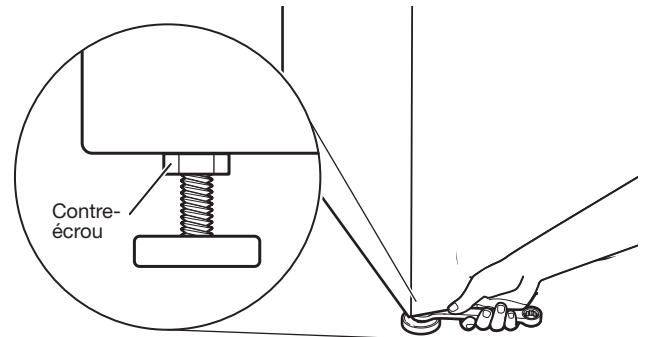
No está nivelada

2. Use una llave de extremo abierto o llave ajustable de 9/16" o 14 mm para girar las tuercas de sujeción hacia la derecha sobre las patas hasta que estén a aproximadamente 1/2" (13 mm) de la carcasa de la lavadora. Luego gire la pata niveladora hacia la derecha para bajar la lavadora, o hacia la izquierda para levantarla. Revise la nivelación de la lavadora nuevamente y repita el procedimiento según sea necesario.

SUGERENCIA ÚTIL: Puede apuntalar el frente de la lavadora aproximadamente 4" (102 mm) con un bloque de madera o un objeto similar que vaya a soportar el peso de la lavadora.



3. Cuando la lavadora esté nivelada, use una llave de boca o una llave ajustable de 9/16" o 14 mm para girar las tuercas fijadoras en las patas hacia la izquierda, apretándolas contra la carcasa de la lavadora.

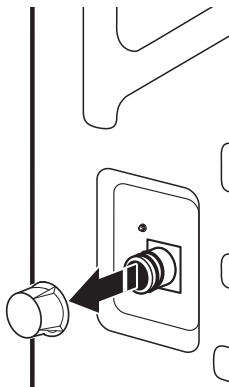


CONECTE LA MANGUERA DE DESAGÜE

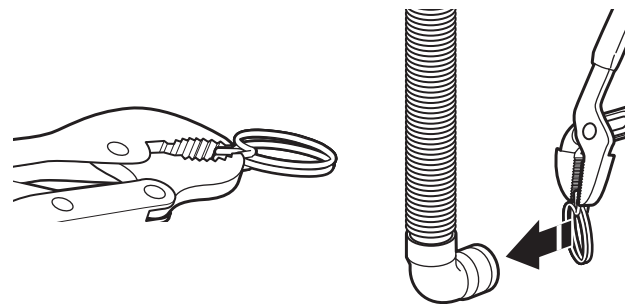
El tendido apropiado de la manguera de desagüe evita daños a sus pisos ocasionados por filtraciones de agua.

Retire la manguera de desagüe de la canasta de la lavadora

1. Quite la tapa del puerto de desagüe de la lavadora que se encuentra en la parte posterior de la lavadora.

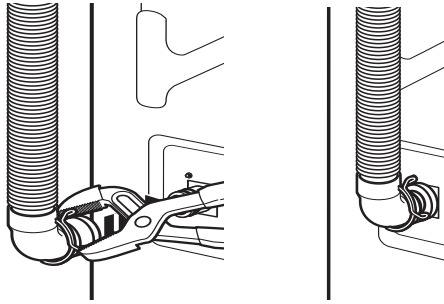


2. Si la abrazadera no está en su lugar, sobre el extremo del codo de la manguera de desagüe, deslícela sobre el extremo como se muestra.

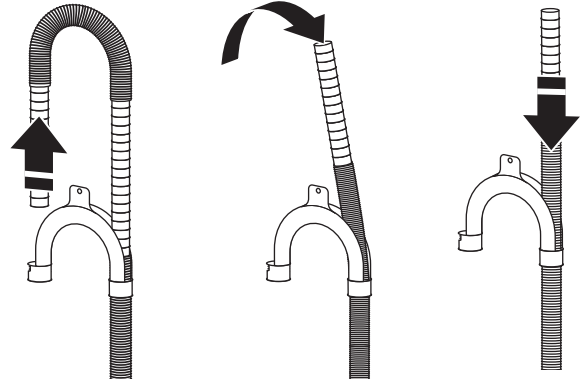


CONECTE LA MANGUERA DE DESAGÜE

3. Apriete la abrazadera con pinzas y deslice el extremo del codo de la manguera de desagüe sobre el puerto de desagüe de la lavadora. Asegúrelo con la abrazadera.



6. Para las instalaciones con desagüe por el piso, necesitará quitar el molde de la manguera de desagüe del extremo de la misma. Puede ser que necesite piezas adicionales con instrucciones por separado. Consulte "Herramientas y piezas".



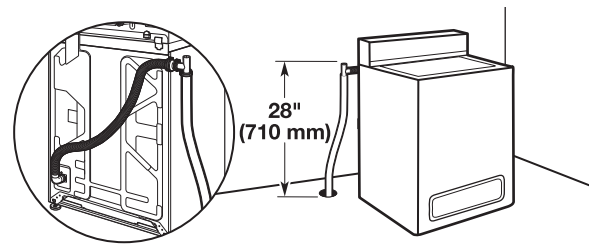
4. El sistema de desagüe de la lavadora se puede instalar utilizando un desagüe de piso, un tubo vertical de pared, un tubo vertical de piso o una tina de lavadero.

5. Coloque la manguera dentro del tubo vertical (se muestra en la ilustración) o sobre el lado de la tina de lavadero.

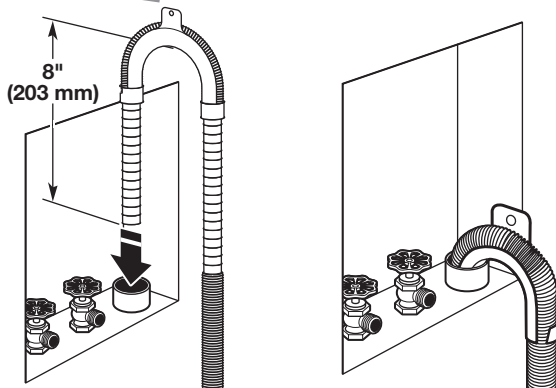
IMPORTANTE:

- La manguera de desagüe no deberá exceder de 8" (203 mm) en el tubo de desagüe; no fuerce el exceso de manguera en el tubo vertical ni la coloque en el fondo de la tina de lavado. Se debe usar el molde de la manguera de desagüe.
- Es responsabilidad del instalador instalar y asegurar la manguera de desagüe en el drenaje/la plomería que se provee de manera que impida que la manguera de desagüe se salga de la plomería/el drenaje o presente fugas.

7. El sistema de desagüe por el piso necesita una desviación de sifón que puede adquirirse por separado. La desviación del sifón (Pieza número 285320) debe estar a una distancia mínima de 28" (710 mm) de la parte inferior de la lavadora. Se pueden necesitar mangueras adicionales.



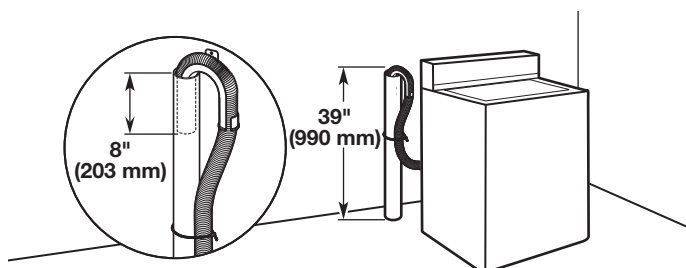
Molde de la manguera de desagüe



SISTEMA DE DESAGÜE

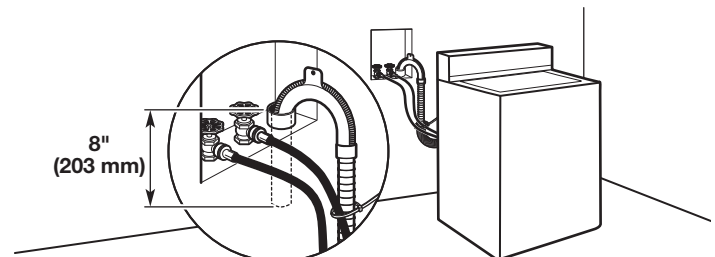
El sistema de desagüe se puede instalar utilizando un desagüe de piso, tubo vertical de pared, tubo vertical de piso o tina de lavadero. Seleccione el método que necesita.

Sistema de desagüe de tubo vertical de piso



Diámetro mínimo para el desagüe de tubo vertical: 2" (51 mm).
Capacidad mínima de desplazamiento: 10 gal. (38 L) por minuto.
La parte superior del tubo vertical debe estar a 39" (990 mm) de altura como mínimo; instálela a no más de 96" (2,44 m) de la base de la lavadora.

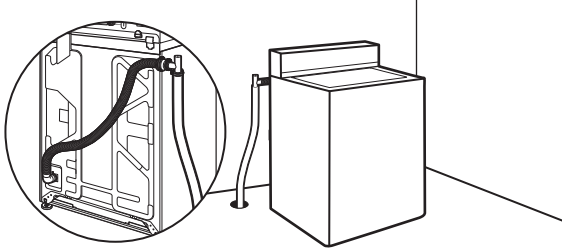
Sistema de desagüe de tubo vertical de pared



Vea los requisitos para el sistema de desagüe de piso de tubo vertical.

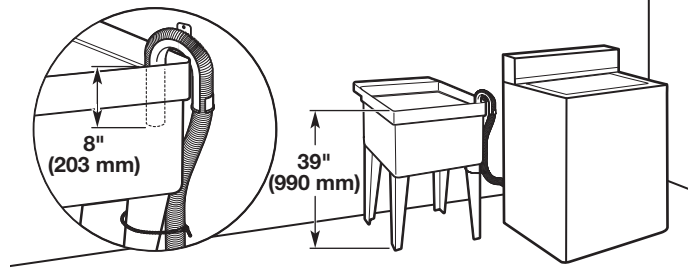
SISTEMA DE DESAGÜE

Sistema de desagüe por el piso



El sistema de drenaje del piso requiere un kit de desviación de sifón (número de pieza 285320). Desviación de sifón mínima: 28" (710 mm) de la base de la lavadora. Se pueden necesitar mangueras adicionales.

Sistema de desagüe de tina de lavadero



Capacidad mínima: 20 galones (76 L). La parte superior de la tina del lavadero debe estar a una altura mínima de 39" (990 mm) del piso.

CONECTE LAS MANGUERAS DE ENTRADA

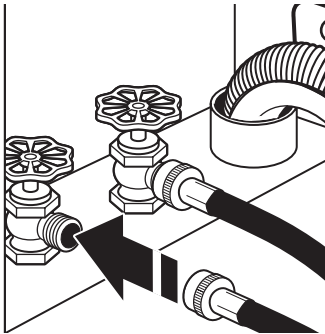
Inserte las nuevas arandelas para manguera (suministradas) en cada extremo de las mangueras de entrada. Asiente firmemente las arandelas en los acoplamientos.



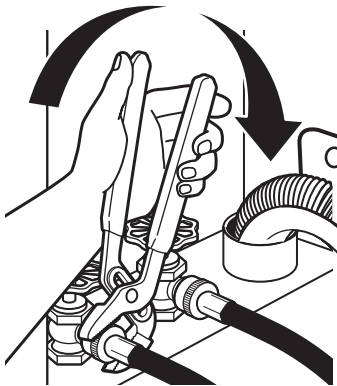
Lavadora Acoplamiento

Conecte las mangueras de entrada a los grifos del agua

1. Conecte la manguera al grifo de agua caliente. Enrosque el acoplamiento hasta que quede asentado en la lavadora. Repita el procedimiento para el agua fría.

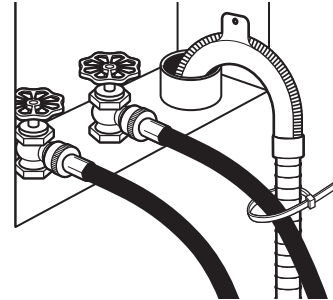


2. Use pinzas para apretar los acoplamientos dos tercios de vuelta adicionales.



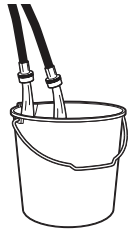
IMPORTANTE: No apriete en exceso ni use cinta o selladores en la válvula cuando la sujete a los grifos o a la lavadora. Se pueden producir daños.

3. Asegure la manguera de desagüe a la manguera de entrada de agua con una correa de cremallera.



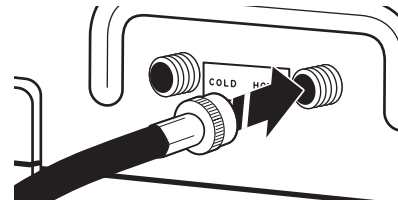
Despeje las líneas de agua

- Deje correr el agua de los grifos y las mangueras de entrada de agua en un lavadero, tubo de desagüe o cubeta para eliminar las partículas que se encuentran en las tuberías del agua, las cuales podrían obstruir los filtros de la válvula de entrada.
- Verifique la temperatura del agua para asegurarse de que la manguera de agua caliente esté conectada al grifo de agua caliente y que la manguera de agua fría esté conectada al grifo de agua fría.

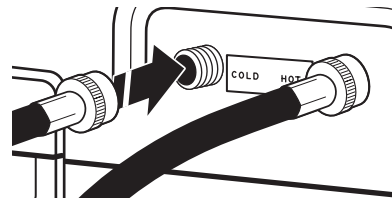


Conecte las mangueras de entrada a la lavadora

1. Sujete la manguera de agua fría a la válvula de entrada de agua fría, marcada con un aro azul. Enrosque el acoplamiento a mano hasta que quede firme.



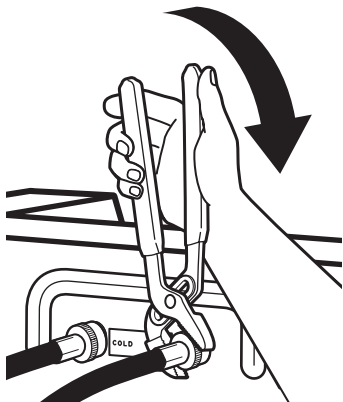
2. Conecte la manguera de agua caliente a la válvula de entrada



de agua caliente, marcada con un aro rojo. Enrosque el acoplamiento a mano hasta que quede firme.

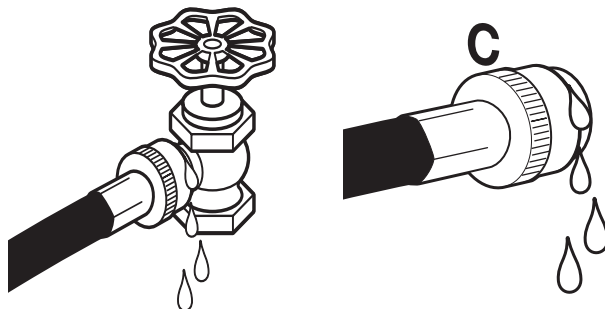
CONECTE LAS MANGUERAS DE ENTRADA

3. Use pinzas para apretar los acoplamientos dos tercios de vuelta adicionales.



NOTA: No ajuste demasiado. Se puede dañar la válvula.

4. Abra los grifos del agua para revisar si hay fugas de agua. Es posible que entre a la lavadora una pequeña cantidad de agua. Se desaguará más tarde.



NOTA: Reemplace las mangueras de entrada después de 5 años de uso para reducir el riesgo de que fallen. Para consulta en el futuro, anote en las mangueras la fecha de instalación o la fecha de reposición de estas.

Inspeccione periódicamente y reemplace las mangueras si aparecen bultos, torceduras, cortaduras, desgaste o filtraciones de agua.

REQUISITOS ELÉCTRICOS

⚠ ADVERTENCIA



Peligro de Choque Eléctrico

Conecte a un contacto de pared de conexión a tierra de 3 terminales.

No quite la terminal de conexión a tierra.

No use un adaptador.

No use un cable eléctrico de extensión.

No seguir estas instrucciones puede ocasionar la muerte, incendio o choque eléctrico.

INSTRUCCIONES PARA LA CONEXIÓN A TIERRA

Para una lavadora conectada a tierra con cable eléctrico:

Esta lavadora debe conectarse a tierra. En caso de funcionamiento defectuoso o avería, la conexión a tierra reducirá el riesgo de choque eléctrico al proporcionar una vía de menor resistencia para la corriente eléctrica. Esta lavadora viene equipada con un cable eléctrico que tiene un conductor de conexión a tierra del equipo y un enchufe con conexión a tierra. El enchufe debe conectarse en un contacto de pared apropiado que haya sido debidamente instalado y conectado a tierra de conformidad con todos los códigos y ordenanzas locales.

ADVERTENCIA: La conexión incorrecta de la terminal de conexión a tierra del equipo puede ocasionar un riesgo de choque eléctrico. Consulte con un electricista o técnico en reparaciones calificado si tiene duda alguna en cuanto a la conexión a tierra correcta del electrodoméstico.

No modifique el enchufe provisto con el electrodoméstico. Si éste no encaja en el contacto de pared, pida a un electricista calificado que le instale un contacto de pared apropiado.

Para una lavadora con contacto eléctrico permanente:

Esta lavadora debe estar conectada a un sistema de cableado de metal permanente, conectado a tierra, o se debe tender un conducto para la conexión a tierra del equipo con los conductores de circuito y conectado a la terminal de tierra del equipo o al conductor de suministro del electrodoméstico.

- Se necesita un suministro eléctrico de 120 voltios, 60 hertzios, CA solamente, de 15 o 20 amperios y protegido con fusibles. Se recomienda un fusible retardador o un cortacircuitos. Asimismo se recomienda usar un cortacircuitos independiente que preste servicio únicamente a este aparato.
- Esta lavadora viene equipada con un cable eléctrico que tiene un enchufe de 3 terminales con conexión a tierra.
- Para reducir al mínimo el peligro de posibles choques eléctricos, el cable debe estar enchufado a un tomacorriente de 3 terminales, conectado a tierra de acuerdo con los códigos y las ordenanzas locales. Si no hay disponible un tomacorriente equivalente, es responsabilidad y obligación personal del cliente el hacer instalar un tomacorriente debidamente conectado a tierra por un electricista calificado.
- Si los códigos lo permiten y se emplea un cable de conexión a tierra por separado, se recomienda que un electricista competente determine si la trayectoria de descarga a tierra es adecuada.
- No conecte la descarga a tierra a un tubo de gas.
- Si no está seguro de que la conexión a tierra de la lavadora sea la adecuada, verifíquela con un electricista competente.
- No coloque un fusible en el circuito neutro o de conexión a tierra.

INSTALACIÓN COMPLETA

⚠ ADVERTENCIA



Peligro de Choque Eléctrico

Conecte a un contacto de pared de conexión a tierra de 3 terminales.

No quite la terminal de conexión a tierra.

No use un adaptador.

No use un cable eléctrico de extensión.

No seguir estas instrucciones puede ocasionar la muerte, incendio o choque eléctrico.

- Revise los requisitos eléctricos. Asegúrese de contar con la fuente de electricidad correcta y el método recomendado de conexión a tierra.

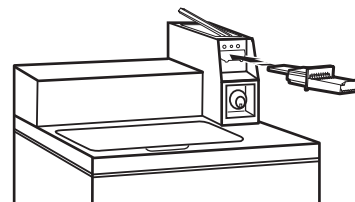
- Verifique que todas las piezas estén ahora instaladas. Si sobra alguna pieza, vuelva a revisar todos los pasos para ver qué se omitió.
- Verifique que tenga todas las herramientas.
- Revise que los materiales de transporte se hayan quitado por completo de la lavadora.
- Deseche o recicle todo el material de empaque.
- Verifique que los grifos de agua estén abiertos.
- Verifique si hay fugas alrededor de los grifos y de las mangueras de entrada.
- Quite la película que está en la consola y cualquier cinta adhesiva que haya quedado en la lavadora.
- Enchufe en un contacto con conexión a tierra o reconecte el suministro de energía.
- Revise que el cortacircuitos no se haya disparado o que el fusible no esté quemado.
- Encienda la lavadora usando el sistema de pago (si está disponible) para verificar que el ciclo de lavado se complete sin un código de error o una fuga de agua.

INSTALACIÓN DEL TRAGAMONEDAS Y LA CAJA DE MONEDAS

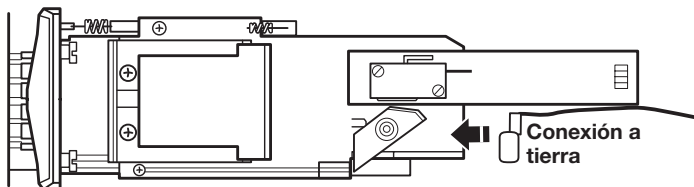
El mecanismo del tragamonedas, el bloqueo de la puerta y la llave, así como el seguro del tragamonedas y la llave, no están incluidos en algunos modelos, pero pueden obtenerse a través de fuentes industriales comunes.

Retire la puerta de servicio de la caja del contador levantándola por la parte posterior. Instale el dispositivo que recibe el dinero. (Consulte las instrucciones del fabricante para una instalación adecuada).

Se necesita una conexión a tierra para el tragamonedas, que se puede realizar conectando el arnés disponible (W10846503) al tragamonedas.



Instale un seguro y una leva en la puerta de servicio de la caja del contador. Instale la cámara acorazada con la cerradura y la llave en la abertura de la caja del contador.



TAMAÑOS DE CARGAS TÍPICAS DE VOLUMEN COMPLETO

Tipo de carga	Sugerencias para cargar	Tipo de carga	Sugerencias para cargar
Cargas mixtas	3 sábanas dobles 4 fundas para almohada 6 pantalones cortos 8 camisetas 2 camisas 2 blusas 8 pañuelos	Ropa pesada de trabajo	3 pantalones 3 camisas 1 overol 4 pantalones de mezclilla 1 overol
Planchado permanente	2 de tamaño doble o 1 sábana tamaño king 1 mantel 1 vestido 1 blusa 2 pantalones 3 camisas 2 fundas para almohada	Tejidos de punto	3 blusas 4 pantalones 6 camisas 4 blusas 4 vestidos

MANTENIMIENTO DE LA LAVADORA

Consejos de funcionamiento

⚠ ADVERTENCIA



Peligro de Incendio

Nunca coloque en la lavadora artículos que estén humedecidos con gasolina o cualquier otro líquido inflamable.

Ninguna lavadora puede eliminar completamente el aceite.

No seque ningún artículo que haya tenido alguna vez cualquier tipo de aceite (incluyendo aceites de cocina).

No seguir estas instrucciones puede ocasionar la muerte, explosión o incendio.

Transporte de la lavadora

Se recomienda que artículos de fibra de vidrio no se laven en las lavadoras de funcionamiento con monedas. Si estos artículos se lavan en la lavadora, ponga a funcionar la lavadora en un ciclo completo para enjuagar cualquier residuo que pudiera haber quedado en la lavadora.

- Cierre ambos grifos de agua. Desconecte y drene el agua de las mangueras de entrada de agua.
- Desconecte el desagüe del sistema de desagüe y vacíe el agua restante en una olla o cubeta. Desconecte la manguera de desagüe de la parte posterior de la lavadora.
- Desenchufe el cable eléctrico.
- Coloque las mangueras de entrada y la manguera de desagüe en el interior de la canasta de la lavadora.
- Pase el cable eléctrico sobre el borde y colóquelo dentro de la canasta de la lavadora.
- Vuelva a colocar la bandeja de empaque de los materiales de envío originales dentro de la lavadora y reutilice la base de envío para sostener el motor y la tina. Si no tiene el empaque original, ponga sábanas o toallas pesadas arriba de la canasta, entre la parte superior de la lavadora y el anillo de la tina. Cierre la tapa y coloque cinta adhesiva sobre la tapa y por el frente de la lavadora. Mantenga la tapa pegada con cinta adhesiva hasta que se coloque la lavadora en su nueva ubicación.

SI NECESITA ASISTENCIA

Comuníquese con su distribuidor autorizado de lavandería comercial. Para ubicar a su distribuidor autorizado de aparatos de lavandería comercial, o para solicitar información por internet, visite www.MaytagCommercialLaundry.com.

Si no puede localizar al distribuidor, el Centro de apoyo para lavandería comercial contestará cualquier pregunta que usted tenga acerca del funcionamiento y mantenimiento de la lavadora que no esté cubierta en las Instrucciones de instalación.

Solo llame al **1-800-662-3587** — la llamada es gratis.

Cuando llame, usted necesitará tener a mano el número del modelo y de la serie de la lavadora. Ambos números se encuentran en la placa de clasificación de serie que está ubicada en la lavadora.

PIEZAS Y ACCESORIOS ADICIONALES

Su instalación puede requerir piezas adicionales. Si está interesado en adquirir una de las piezas aquí enlistadas, llame al número gratuito que se encuentra en la sección "Si necesita ayuda".

Si tiene:	Necesitará lo siguiente:
Desagüe en altura	Tina de desagüe estándar de 20 gal. (76 L) 39" (990 mm) de altura o lavadero utilitario, bomba de sumidero y conectores (disponible en tiendas locales de artículos de plomería)
Tubo vertical de 1" (25 mm)	Adaptador de tubo vertical de 2" (51 mm) de diámetro a 1" (25 mm) de diámetro Pieza número 3363920 Juego de conectores Pieza número 285835
Desagüe obstruido por pelusa	Protector del desagüe, pieza número 367031 Juego de conectores, pieza número 285835
Sistema de desagüe por el piso	Desviación de sifón, pieza número 285320 Juego de conectores (2), pieza número 285835 Manguera de desagüe de extensión pieza número 285863
Grifos del agua fuera del alcance de las mangueras de llenado	2 mangueras de llenado de agua más largas: manguera con doblez de 90° de 6 pies (1,8 m), pieza número 76314 y de 10 pies (3,0 m), pieza número 350008
	Las mangueras de entrada de agua se venden como par en el kit W10575888

Si tiene:	Necesitará lo siguiente:
Accesorios	
	Bandejas de goteo para lavadora, pieza número 8212526
	Juego del dispensador de suavizante de telas, pieza número 63594
Desagüe más allá del alcance de la manguera de desagüe	Extensión para manguera de 4 pies (1,2 m) Pieza número DRNEXT4


Whirlpool Corporation, Benton Harbor, Michigan 49022, EE. UU.

INSTRUCCIONES PARA LA CONFIGURACIÓN DE LOS CONTROLES ELECTRÓNICOS

Funcionamiento básico de la lavadora comercial

- Para obtener información adicional, vea www.MaytagCommercialLaundry.com.

⚠ ADVERTENCIA



Peligro de Choque Eléctrico

Desconecte el suministro de energía antes de darle mantenimiento.

Vuelva a colocar todos los componentes y paneles antes de hacerlo funcionar.

No seguir estas instrucciones puede ocasionar la muerte o choque eléctrico.

IMPORTANTE

Componentes electrónicos sensibles a la descarga electrostática (ESD)

Los problemas de descarga electrostática se encuentran presentes en cualquier lugar. Las descargas electroestáticas pueden dañar o debilitar el ensamblaje del control electrónico. El nuevo ensamblaje del control puede parecer que funciona bien después de que se haya terminado la reparación, pero podrían ocurrir fallas en una fecha posterior debido a la tensión provocada por la descarga electrostática.

- Utilice una correa antiestática para muñeca. Conecte la correa para muñeca a un punto verde de conexión a tierra, o a una pieza de metal que no esté pintada en la lavadora.
– O BIEN –

Toque varias veces con el dedo un punto verde de conexión a tierra o una pieza de metal que no esté pintada en la lavadora.

- Antes de sacar la pieza de su paquete, toque un punto verde de conexión a tierra o una pieza de metal sin pintar en la lavadora con la bolsa antiestática.
- Evite tocar las piezas electrónicas o los contactos terminales; manipule el ensamblaje del control electrónico solamente por los bordes.
- Cuando vuelva a empacar el ensamblaje del control electrónico fallado en una bolsa antiestática, observe las instrucciones anteriores.

INFORMACIÓN GENERAL

Pantalla en blanco

Esta condición indica que la lavadora no funciona.

Aparece "0 minutos" (0 minutos) en la pantalla

Esta condición indica que la lavadora no puede usarse. Las monedas que se hayan colocado o los ingresos de tarjeta de débito permanecerán en el depósito, pero no se pueden utilizar hasta que se abra y se cierre la puerta, lo cual reanuda el funcionamiento normal. Si el interruptor de una puerta falla, se debe reemplazar antes de que se pueda reanudar el funcionamiento normal.

Inicio en frío (primer uso)

La lavadora está programada de fábrica como se describe a continuación:

- POWERWASH (lavado intenso) = agitación de 12 min
MIXED (mixtas) = agitación de 9 min
DELICATES (ropa delicada) = agitación de 6 min
NORMAL ECO = agitación de 8 min
- MIXED (mixtas) = 1 enjuague 2 minutos de agitación de enjuague
POWERWASH (lavado intenso) = 1 enjuague profundo con centrifugado
DELICATES (ropa delicada) = 1 enjuague profundo con centrifugado
NORMAL ECO = 1 enjuague de aerosol
- MIXED (mixtas) = \$2,00
DELICATES (ropa delicada) = \$1,75
POWERWASH (lavado intenso) = \$2,50
NORMAL ECO = \$1,75

Inicio en caliente (después de un corte de corriente)

Después de un retraso de hasta 8 segundos, la lavadora volverá a la porción del ciclo existente en el momento del corte de corriente. Para continuar, presione START (Inicio).

Ciclos gratuitos

Esta opción se fija programando el precio del ciclo en cero. Cuando esto sucede, aparecerá SELECT CYCLE (Seleccionar ciclo) y el precio aparecerá como 0.00.

Listo para tarjeta de pago automático

Esta lavadora está ya lista para tarjetas de pago automático. Aceptará una variedad de sistemas de tarjeta de débito, pero NO viene con un lector de tarjetas de débito. Consulte al fabricante de lectores de tarjeta de pago automático para informarse sobre la programación adecuada en lavadoras. En los modelos convertidos al sistema de tarjetas de débito de Generación 1, los pulsos de débito representan al equivalente de una moneda (moneda 1).

Pantalla

Una vez instalada y enchufada la lavadora, la pantalla mostrará "SYnC" durante unos segundos y luego "0 MINUTES" (0 minutos). Una vez que la lavadora se ha enchufado y la puerta de esta se ha abierto y cerrado, la pantalla mostrará el precio. En las lavadoras que se hayan programado para dar ciclos gratuitos, destellará "SELECT CYCLE" (Seleccionar ciclo) y aparecerá "PRICE 0.00" (Precio 0.00).



INSTRUCCIONES PARA LA CONFIGURACIÓN DE LOS CONTROLES ELECTRÓNICOS

Procedimientos de programación del control

IMPORTANTE: Lea todas las instrucciones antes de usarla.

Los botones inferiores para la selección de telas y la pantalla digital se usan para la programación de los controles. En la pantalla se pueden mostrar cuatro números y/o letras y un punto decimal. Estos se usan para indicar los códigos de la programación y los valores de los códigos relacionados, los cuales se usan para programar la lavadora.

Cómo utilizar los botones para programar los controles

1. El botón POWERWASH (lavado intenso) se utiliza para ajustar los valores asociados con los códigos de preparación. Al presionar el botón, el valor aumentará.
Para hacer ajustes rápidos, mantenga presionada el botón.
2. El botón MIXED (Mixtas) le permite avanzar a través de los códigos de programación. Al presionar el botón, se avanza al siguiente código de programación disponible. Al mantener presionado el botón, se avanza automáticamente a través de los códigos de programación a una velocidad de uno (1) por segundo.
3. El botón DELICATES (Ropa delicada) se usa para seleccionar o quitar opciones.
4. El botón TEMPERATURE (Temperatura) se usa para disminuir el valor del código de configuración.

Programación para comenzar a usar

- Modelos PD: Inserte la llave de acceso para la puerta, gírela y levante para quitar la puerta de acceso.
- Modelos PR configurados para venta gratuita: Consulte la parte inferior de la página 18 para acceder a la configuración de funcionamiento.
- Modelos PR: Una vez que se haya instalado el lector de tarjeta de débito (según las instrucciones del fabricante de lectores), se puede ingresar al modo de programación insertando una tarjeta de programación (provista por el fabricante de lectores) en la ranura para tarjeta. Si no se tiene una tarjeta de preparación manual, se puede ingresar al modo de preparación manual quitando el conector AA1 en el tablero de circuito.

IMPORTANTE: La consola no se debe abrir a menos que se haya desconectado el suministro eléctrico a la lavadora. Para tener acceso al conector AA1:

- Desenchufe la lavadora o desconecte el suministro de energía.
- Abra la consola, desconecte el enchufe en AA1 y luego cierre la consola.
- Conecte la lavadora o reconecte el suministro de energía.

La lavadora se encuentra ahora en el modo de programación.

Antes de continuar, es importante mencionar que a pesar de todas las opciones disponibles, el dueño puede simplemente elegir desempacar una unidad comercial nueva, hacer las conexiones necesarias, conectarla al suministro de energía y tener una lavadora que funciona.

Códigos de programación

- El botón MIXED (mixtas) le permitirá avanzar código por código.
- El botón POWERWASH (lavado intenso) cambiará el valor del código.
- El botón DELICATES (ropa delicada) seleccionará o quitará opciones.
- El botón TEMPERATURE (temperatura) cambiará el valor del código.

PARA LOS MODELOS PR: Los códigos de programación son los mismos que para los modelos "PD" salvo cuando se menciona lo contrario.

El código de programación se indica con uno o dos caracteres al lado izquierdo. El valor del código de programación se indica con uno o dos caracteres al lado derecho.

CÓDIGO	EXPLICACIÓN
6.07 DELICATES (Ropa delicada)	Precio de venta del ciclo común DELICATES (Ropa delicada); para aumentar o disminuir de 0 a 200, presione el botón POWERWASH (Lavado intenso) o el botón TEMPERATURE (Temperatura). Prefijado de fábrica para 7 monedas = \$1,75. MODELOS PR/PN ÚNICAMENTE: Configuración de fábrica para 0 monedas de 25 centavos (venta gratuita).

CÓDIGO	EXPLICACIÓN
6.07 NORMAL ECO	Precio de venta del ciclo común NORMAL ECO; para aumentar o disminuir de 0 a 200, presione el botón POWERWASH (Lavado intenso) o el botón TEMPERATURE (Temperatura). Prefijado de fábrica para 7 monedas = \$1,75. MODELOS PR/PN ÚNICAMENTE: Configuración de fábrica para 0 monedas de 25 centavos (venta gratuita).
6.07 POWERWASH (Lavado intenso)	Precio de venta del ciclo común POWERWASH (Lavado intenso); para aumentar o disminuir de 0 a 200, presione el botón POWERWASH (Lavado intenso) o el botón TEMPERATURE (Temperatura). Prefijado de fábrica para 7 monedas = \$1,75. MODELOS PR/PN ÚNICAMENTE: Configuración de fábrica para 0 monedas de 25 centavos (venta gratuita).
6.08 MIXED (Mixtas)	Precio de venta del ciclo común MIXED (mixtas); para aumentar o disminuir de 0 a 200, presione el botón POWERWASH (Lavado intenso) o el botón TEMPERATURE (Temperatura). Prefijado de fábrica para 8 monedas = \$2,00. MODELOS PR/PN ÚNICAMENTE: Configuración de fábrica para 0 monedas de 25 centavos (venta gratuita).
→ Presione el botón MIXED (Mixtas) una vez para avanzar al siguiente código.	
P.DEF	El precio para el ciclo predeterminado en Standby (pausa) - Incrementar o disminuir entre MIXED (mixtas), DELICATES (Ropa delicada), POWERWASH (lavado intenso), NORMAL ECO oprimiendo el botón POWERWASH o TEMPERATURE. Configuración de fábrica para MIXED (mixtas).
7.00	TIEMPO DE LAVADO ADICIONAL
7.00	Este es el número de minutos que pueden añadirse a un ciclo de lavado. Elija de 00 a 05 minutos presionando el botón POWERWASH (lavado intenso).
→ Presione el botón MIXED (Mixtas) una vez para avanzar al siguiente código.	
8.00	TIEMPO DE ENJUAGUE ADICIONAL
8.00	Este es el número de minutos que pueden añadirse a un ciclo de enjuague. Elija de 00 a 05 minutos presionando el botón POWERWASH (lavado intenso).
→ Presione el botón MIXED (Mixtas) una vez para avanzar al siguiente código.	
9.00	OPCIÓN DE CONTADOR DE CICLOS Esta opción está SELECCIONADA, "ON" (Encendido), o NO ESTÁ SELECCIONADA, "OFF" (Apagado).
9.00	No seleccionado, "OFF" (Apagado).
9.0C	Seleccionado, "ON" (Encendido), y no se puede anular. Presione el botón DELICATES (Ropa delicada) 3 veces consecutivas para seleccionar 'ON' (Encendido). Una vez que se selecciona "ON" (Encendido), no se puede anular.
→ Presione el botón MIXED (Mixtas) una vez para avanzar al siguiente código.	
1.00	OPCIÓN DE CONTADOR DE DINERO Esta opción está SELECCIONADA, "ON" (Encendido), o NO ESTÁ SELECCIONADA, "OFF" (Apagado).
1.00	No seleccionado, "OFF" (Apagado).
1.0C	Seleccionado, "ON" (Encendido). Presione el botón DELICATES (Ropa delicada) 3 veces consecutivas para seleccionar 'ON' (Encendido) y 3 veces consecutivas para quitar la opción (No seleccionada 'OFF' - Apagado). El contador se reinicia al pasar de "OFF" (Apagado) a "ON" (Encendido).
1.0C	Seleccionado, "ON" (Encendido), y no se puede anular. Para seleccionar ON (Encendido) y que no se pueda anular, seleccione primero ON (Encendido) y, después, en menos de dos segundos, presione dos veces el botón DELICATES (Ropa delicada), el botón POWERWASH (lavado intenso) una vez y salga del modo de programación.
→ Presione el botón MIXED (Mixtas) una vez para avanzar al siguiente código.	
2.00	OPCIÓN DE PRECIOS ESPECIALES Esta opción está SELECCIONADA, "ON" (Encendido), o NO ESTÁ SELECCIONADA, "OFF" (Apagado).
2.00	No seleccionado, "OFF" (Apagado).
2.SP	Seleccionado, "ON" (Encendido). Presione el botón DELICATES (Ropa delicada) una vez para hacer esta selección.
Si se selecciona la OPCIÓN DE PRECIOS ESPECIALES, tendrá acceso a los códigos '3' a '9'. NOTA: Se debe agregar una batería externa para que el reloj siga funcionando durante períodos de corte de electricidad. → Presione el botón MIXED (Mixtas) una vez para avanzar al siguiente código.	

INSTRUCCIONES PARA LA CONFIGURACIÓN DE LOS CONTROLES ELECTRÓNICOS

CÓDIGO	EXPLICACIÓN
OPCIONES DISPONIBLES SI SE SELECCIONA PRECIOS ESPECIALES:	
3.07 DELICATES (Ropa delicada)	Precio de venta del ciclo especial DELICATES (Ropa delicada); para aumentar o disminuir de 0 a 200, presione el botón POWERWASH (Lavado intenso) o el botón TEMPERATURE (Temperatura). Prefijado de fábrica para 7 monedas = \$1,75. MODELOS PR/PN ÚNICAMENTE: Configuración de fábrica para 0 monedas de 25 centavos (venta gratuita).
3.07 NORMAL ECO	Precio de venta del ciclo especial NORMAL ECO; para aumentar de 0 a 200, presione la tecla POWERWASH (Lavado intenso) y para disminuir, presione la tecla TEMPERATURE (Temperatura). Prefijado de fábrica para 7 monedas = \$1,75. MODELOS PR/PN ÚNICAMENTE: Configuración de fábrica para 0 monedas de 25 centavos (venta gratuita).
3.07 POWERWASH (Lavado intenso)	Precio de venta del ciclo especial POWERWASH (Lavado intenso); para aumentar o disminuir de 0 a 200, presione el botón POWERWASH (Lavado intenso) o el botón TEMPERATURE (Temperatura). Prefijado de fábrica para 7 monedas = \$1,75. MODELOS PR/PN ÚNICAMENTE: Configuración de fábrica para 0 monedas de 25 centavos (venta gratuita).
3.08 MIXED (Mixtas)	Precio de venta del ciclo especial MIXED (mixtas); para aumentar o disminuir de 0 a 200, presione el botón POWERWASH (Lavado intenso) o el botón TEMPERATURE (Temperatura). Prefijado de fábrica para 8 monedas = \$2,00. MODELOS PR/PN ÚNICAMENTE: Configuración de fábrica para 0 monedas de 25 centavos (venta gratuita).
→ Presione el botón MIXED (Mixtas) una vez para avanzar al siguiente código.	
5.00	RELOJ CON LA HORA DEL DÍA, MINUTOS
5.00	Ésta es la configuración de los minutos del TIME-OF-DAY CLOCK (reloj de la hora del día); seleccione entre 0 y 59 minutos presionando la tecla POWERWASH (lavado intenso) o TEMPERATURE (temperatura).
→ Presione el botón MIXED (Mixtas) una vez para avanzar al siguiente código.	
6.00	RELOJ CON LA HORA DEL DÍA, HORAS NOTA: Usa la hora militar o un reloj de 24 horas.
6.00	Ésta es la configuración de las horas del TIME-OF-DAY CLOCK (reloj de la hora del día); seleccione entre 0 y 23 horas presionando la tecla POWERWASH (lavado intenso) o TEMPERATURE (temperatura).
→ Presione el botón MIXED (Mixtas) una vez para avanzar al siguiente código.	
7.00	HORA EN QUE EMPIEZA EL PRECIO ESPECIAL NOTA: Usa la hora militar o un reloj de 24 horas.
7.00	Ésta es la hora de inicio; seleccione entre 0 y 23 horas presionando la tecla POWERWASH (lavado intenso) o TEMPERATURE (temperatura).
→ Presione el botón MIXED (Mixtas) una vez para avanzar al siguiente código.	
8.00	HORA EN QUE TERMINA EL PRECIO ESPECIAL NOTA: Usa la hora militar o un reloj de 24 horas.
8.00	Ésta es la hora de terminación; seleccione entre 0 y 23 horas presionando la tecla POWERWASH (lavado intenso) o TEMPERATURE (temperatura).
→ Presione el botón MIXED (Mixtas) una vez para avanzar al siguiente código.	
9.00	DÍA DE PRECIO ESPECIAL
9.10	Esto representa el día de la semana y si se ha seleccionado o no un precio especial para ese día. Un número seguido por un '0' indica que no se hizo una selección para ese día en particular (9.10). Un número seguido por la letra 'S' indica que se ha hecho una selección para ese día (9.1S). Para elegir los días de la semana (1 a 7), presione la tecla POWERWASH (Lavado intenso). Presione la tecla POWERWASH (lavado intenso) una vez para seleccionar el precio especial para cada día elegido. Cuando salga de la programación del código "9", la pantalla debe mostrar el día actual de la semana: PANTALLA DÍA DE LA SEMANA CÓDIGO (seleccionado) 10 Día 1 = Domingo 1S 20 Día 2 = Lunes 2S 30 Día 3 = Martes 3S 40 Día 4 = Miércoles 4S 50 Día 5 = Jueves 5S 60 Día 6 = Viernes 6S 70 Día 7 = Sábado 7S

CÓDIGO	EXPLICACIÓN
→ Presione el botón MIXED (Mixtas) una vez para avanzar al siguiente código.	
A.00	OPCIÓN PARA VER EL DEPÓSITO Esta opción está SELECCIONADA, "ON" (Encendido), o NO ESTÁ SELECCIONADA, "OFF" (Apagado).
A.00	No seleccionado, "OFF" (Apagado).
A.SC	Seleccionado, "ON" (Encendido). Presione el botón DELICATES (Ropa delicada) una vez para hacer esta selección. Cuando se seleccione, se podrán ver los contadores de dinero y/o de ciclos (en función de lo que se seleccionó), cuando se retire la caja de monedas.
→ Presione el botón MIXED (Mixtas) una vez para avanzar al siguiente código.	
b.05	VALOR DE LA MONEDA 1
b.05	Esto representa el valor de la moneda 1 en el número de monedas de 5 centavos: 05 = \$0,25. Al presionar el botón POWERWASH (lavado intenso) o TEMPERATURE (Temperatura), existe la opción de entre 1 y 199 monedas de cinco centavos.
→ Presione el botón MIXED (Mixtas) una vez para avanzar al siguiente código.	
C.20	VALOR DE LA MONEDA 2
C.20	Esto representa el valor de la moneda 2 en el número de monedas de 5 centavos: 20 = \$1,00. MODELOS PR ÚNICAMENTE: Configuración de fábrica para USD 0,25. Al presionar el botón POWERWASH (lavado intenso) o TEMPERATURE (Temperatura), existe la opción de entre 1 y 199 monedas de cinco centavos.
→ Presione el botón MIXED (Mixtas) una vez para avanzar al siguiente código.	
d.00	OPCIÓN DE TRAGAMONEDAS Esta opción está SELECCIONADA, "ON" (Encendido), o NO ESTÁ SELECCIONADA, "OFF" (Apagado).
d.00	No seleccionado, "OFF" (Apagado).
d.CS	Seleccionado, "ON" (Encendido). Presione el botón DELICATES (Ropa delicada) 3 veces consecutivas para hacer esta selección. Cuando se seleccione el modo tragamonedas, fije la "b." en un valor igual al del tragamonedas en monedas de 5 centavos. Fije el Paso 6 (precio para ciclo normal) y el Paso 3 (precio para ciclo especial) en el número de veces que funcione el tragamonedas. Si el instalador configura "CS" en un modelo con orificio para monedas, este no registrará las monedas.
→ Presione el botón MIXED (Mixtas) una vez para avanzar al siguiente código.	
E.00	OPCIÓN DE AGREGAR MONEDAS Esta opción está SELECCIONADA, "ON" (Encendido), o NO ESTÁ SELECCIONADA, "OFF" (Apagado). Esta opción hace que la pantalla del cliente muestre el número de monedas (moneda 1) que se deben introducir, en lugar del importe en dólares y centavos.
E.00	No seleccionado, "OFF" (Apagado).
E.AC	Seleccionado, "ON" (Encendido). Presione el botón DELICATES (Ropa delicada) 3 veces consecutivas para hacer esta selección.
→ Presione el botón MIXED (Mixtas) una vez para avanzar al siguiente código.	
H.00 FRÍA	Actualización de precio temperatura COLD (frío); para aumentar o disminuir de 0 a 200, presione el botón POWERWASH (Lavado intenso) o el botón TEMPERATURE (Temperatura). Prefijado de fábrica para 0 monedas = \$0,00.
H.00 COOL (Fresco)	Actualización de precio temperatura COOL (Fresco); para aumentar o disminuir de 0 a 200, presione el botón POWERWASH (Lavado intenso) o el botón TEMPERATURE (Temperatura). Prefijado de fábrica para 0 monedas = \$0,00.
H.00 WARM (Tibia)	Actualización de precio temperatura WARM (tibia); para aumentar o disminuir de 0 a 200, presione el botón POWERWASH (Lavado intenso) o el botón TEMPERATURE (Temperatura). Prefijado de fábrica para 0 monedas = \$0,00.
H.01 HOT (Caliente)	Actualización de precio temperatura HOT (Caliente); para aumentar o disminuir de 0 a 200, presione el botón POWERWASH (Lavado intenso) o el botón TEMPERATURE (Temperatura). Prefijado de fábrica para 1 monedas = \$0,25.

INSTRUCCIONES PARA LA CONFIGURACIÓN DE LOS CONTROLES ELECTRÓNICOS

CÓDIGO	EXPLICACIÓN
H.01 HEAVY (Intenso)	Actualización de precio NIVEL HEAVY SOIL (suciedad intensa); para aumentar o disminuir de 0 a 200, presione el botón POWERWASH (Lavado intenso) o el botón TEMPERATURE (Temperatura). Prefijado de fábrica para 1 monedas = \$0,25.
H.01 EXTRA RINSE (Enjuague adicional)	Actualización de precio EXTRA RINSE (Enjuague adicional); para aumentar o disminuir de 0 a 200, presione el botón POWERWASH (Lavado intenso) o el botón TEMPERATURE (Temperatura). Prefijado de fábrica para 1 monedas = \$0,25.
→ Presione el botón MIXED (Mixtas) una vez para avanzar al siguiente código.	
J.Cd	OPCIÓN DE MONEDA/TARJETA DE PAGO AUTOMÁTICO
J.Cd	Se han seleccionado tanto moneda como el pago con tarjeta de pago automático.
J.C_	Pago con monedas activado, pago con tarjeta de pago automático desactivado. Presione la tecla DELICATES (Ropa delicada) tres veces para hacer esta selección.
J._d	Tarjeta de débito seleccionada, pago con moneda desactivado. Presione la tecla DELICATES (Ropa delicada) tres veces para hacer esta selección.
J.Ed	El modo mejorado de tarjeta de débito se elige automáticamente cuando un lector de tarjeta de generación 2 se instala en la lavadora. La opción Ed (Débito mejorado) no se puede seleccionar ni cancelar manualmente.
→ Presione el botón MIXED (Mixtas) una vez para avanzar al siguiente código.	
L.00	OPCIÓN DE SUPRESIÓN DE PRECIO Con esta opción, la pantalla muestra "ADD" (Agregar) o "AVAILABLE" (Disponible) en lugar del monto para agregar. (Se utiliza principalmente en las instalaciones con débito).
L.00	No seleccionado, "OFF" (Apagado).
L.PS	Seleccionado, "ON" (Encendido). Presione el botón DELICATES (Ropa delicada) una vez para hacer esta selección.
→ Presione el botón MIXED (Mixtas) una vez para avanzar al siguiente código.	
n. CE	OPCIÓN PARA BORRAR LA CANTIDAD EN EL DEPÓSITO Cuando la selección, el dinero que esté depositado durante 30 minutos sin más depósitos o actividad de ciclos se eliminará.
n. CE	Seleccionado, "ON" (Encendido).
n. 00	No seleccionado, "OFF" (Apagado). Presione el botón DELICATES (Ropa delicada) una vez para cancelar esta selección.
→ Presione el botón MIXED (Mixtas) una vez para avanzar al siguiente código.	
U.00	COMPENSACIÓN DE INCREMENTO DE CENTAVOS
U.00	Esto representa la compensación del precio en incremento en centavos que se usa en los modelos PR de la Generación 2 (Pago con tarjeta de pago automático mejorado). Elija de 0 a 4 centavos presionando el botón POWERWASH (lavado intenso).
→ Presione el botón MIXED (Mixtas) una vez para avanzar al siguiente código.	
A3.03	Ajustes de ciclo para MIXED (Mixtas). Permiten que el propietario seleccione las opciones predeterminadas de los ciclos Water Temperature (Temperatura del agua), Soil Level (nivel de suciedad), y Extra Rinse (Enjuague adicional). Consulte los ajustes específicos en la tabla 1. El ajuste de fábrica para ropa mixta es 03.
A4.01	Ajustes del ciclo para DELICATES (Ropa delicada). Permiten que el propietario seleccione las opciones predeterminadas de los ciclos Water Temperature (Temperatura del agua), Soil Level (nivel de suciedad), y Extra Rinse (Enjuague adicional). Consulte los ajustes específicos en la tabla 1. El ajuste de fábrica para ropa delicada es 01.
A5.1C	Ajustes del ciclo POWERWASH (LAVADO INTENSO) Permiten que el propietario seleccione las opciones predeterminadas de los ciclos Water Temperature (Temperatura del agua), Soil Level (nivel de suciedad), y Extra Rinse (Enjuague adicional). Consulte los ajustes específicos en la tabla 1. El ajuste de fábrica para lavado intenso es 1C.
A6.03	Ajustes del ciclo NORMAL ECO. Permiten que el propietario seleccione las opciones predeterminadas de los ciclos Water Temperature (Temperatura del agua), Soil Level (nivel de suciedad), y Extra Rinse (Enjuague adicional). Consulte los ajustes específicos en la tabla 1. El ajuste de fábrica para Normal Eco es 03.

Si el contador del ciclo (9.0C) está seleccionado, ocurre lo siguiente:

1 xx	Número de ciclos en MILES.	1 02 = 2 000
2xxx	Número de ciclos en UNOS.	2225 = 225
		TOTAL DE CICLOS = 2 225

Esto es "VIEW ONLY" (Solo lectura) y no se puede borrar. Presione el botón MIXED (Mixtas) una vez para avanzar al siguiente código.

Si el contador de dinero (1.0C o 1.C0) está seleccionado, ocurre lo siguiente:

3 xx	Número de dólares en CIENTOS.	3 01 = \$1 000,00
4xxx	Número de dólares en UNOS.	4600 = \$ 600.00
5 xx	Número de CENTAVOS.	5 75 = \$ 00,75
		TOTAL = \$1 600,75

FIN DE LOS PROCEDIMIENTOS DE CONFIGURACIÓN

CÓMO SALIR DEL MODO DE PROGRAMACIÓN

- Modelos PD: Vuelva a instalar la puerta de acceso.
- Modelos PR:
 - Desenchufe la lavadora o desconecte el suministro de energía.
 - Abra la consola, vuelva a conectar el enchufe en AA1 y luego cierre la consola.
 - Conecte la lavadora o reconecte el suministro de energía.

Si lo prefiere, espere dos minutos de inactividad. Todos los ajustes se guardarán y la pantalla volverá a la pantalla Select Cycle (Seleccionar ciclo).

Tabla 1

A3, A4, A5, A6	Extra Rinse (Enjuague adicional)	Soil Level (nivel de suciedad) (Intenso encendido, Normal apagado)	Water Temp (Temp. del agua)	A3, A4, A5, A6	Extra Rinse (Enjuague adicional)	Soil Level (nivel de suciedad) (Intenso encendido, Normal apagado)	Water Temp (Temp. del agua)
00	Off (Apagado)	Off (Apagado)	Tap Cold (Fria del grifo)	10	On (Encendido)	Off (Apagado)	Tap Cold (Fria del grifo)
01	Off (Apagado)	Off (Apagado)	Cold (frio)	11	On (Encendido)	Off (Apagado)	Cold (frio)
02	Off (Apagado)	Off (Apagado)	Cool (Fresco)	12	On (Encendido)	Off (Apagado)	Cool (Fresco)
03	Off (Apagado)	Off (Apagado)	Warm (Tibia)	13	On (Encendido)	Off (Apagado)	Warm (Tibia)
04	Off (Apagado)	Off (Apagado)	Hot (Caliente)	14	On (Encendido)	Off (Apagado)	Hot (Caliente)
08	Off (Apagado)	On (Encendido)	Tap Cold (Fria del grifo)	18	On (Encendido)	On (Encendido)	Tap Cold (Fria del grifo)
09	Off (Apagado)	On (Encendido)	Cold (frio)	19	On (Encendido)	On (Encendido)	Cold (frio)
A	Off (Apagado)	On (Encendido)	Cool (Fresco)	1A	On (Encendido)	On (Encendido)	Cool (Fresco)
B	Off (Apagado)	On (Encendido)	Warm (Tibia)	1B	On (Encendido)	On (Encendido)	Warm (Tibia)
C	Off (Apagado)	On (Encendido)	Hot (Caliente)	1C	On (Encendido)	On (Encendido)	Hot (Caliente)

Código de acceso de servicio para el técnico

Este método solo está disponible en lavadoras PR configuradas para venta libre (6 00).

Para ingresar al Modo de mantenimiento:

Presione los botones POWERWASH (Lavado intenso), EXTRA RINSE (Enjuague adicional), TEMPERATURE (Temperatura) y DELICATES (Ropa delicada) en 10 segundos.

Para salir del modo de servicio:

Desde el código de servicio 8.xx, presione el botón POWERWASH (Lavado intenso) durante cuatro segundos.

o

Espere 2 minutos sin tocar ningún botón (sin que estén funcionando los modos de diagnóstico).

o

Apague la lavadora y luego vuelva a encenderla.

NOTA: Si un ciclo de servicio está en progreso al salir del modo de servicio, el ciclo se completará normalmente y se mostrará la información del estado del ciclo. La pantalla reanudará el modo de funcionamiento normal del cliente cuando finalice el ciclo.

NOTA

NOTA

NOTA

NOTA

