

Miele

Installation plan

Washing machine



PWM 508 DV MOPSTAR 80

It is **essential** to read the operating and installation instructions before installation and commissioning.
This prevents both personal injury and damage to the appliance.

en-AU, NZ

11 284 910/05

Miele Australia Pty. Ltd.

ACN 005 635 398

ABN 96 005 635 398

Melbourne:

Level 4, 141 Camberwell Road

Hawthorn East, VIC 3123

Telephone: 1300 731 411

service.prof@miele.com.au

**www.miele.com.au/professional
professional.sales@miele.com.au****Miele New Zealand Limited**

IRD 98 463 631

8 College Hill

Freemans Bay

Auckland 1011

New Zealand

Telephone: 0800 4 MIELE

(0800 464 353)

www.miele.com.au/professionalprofessional.sales@miele.com.auMiele Global Headquarters: Miele & Cie. KG
Carl-Miele-Straße 29, 33332 Gütersloh, Germany**Legend:**

Connection required

Connection optional or required,
depending on model

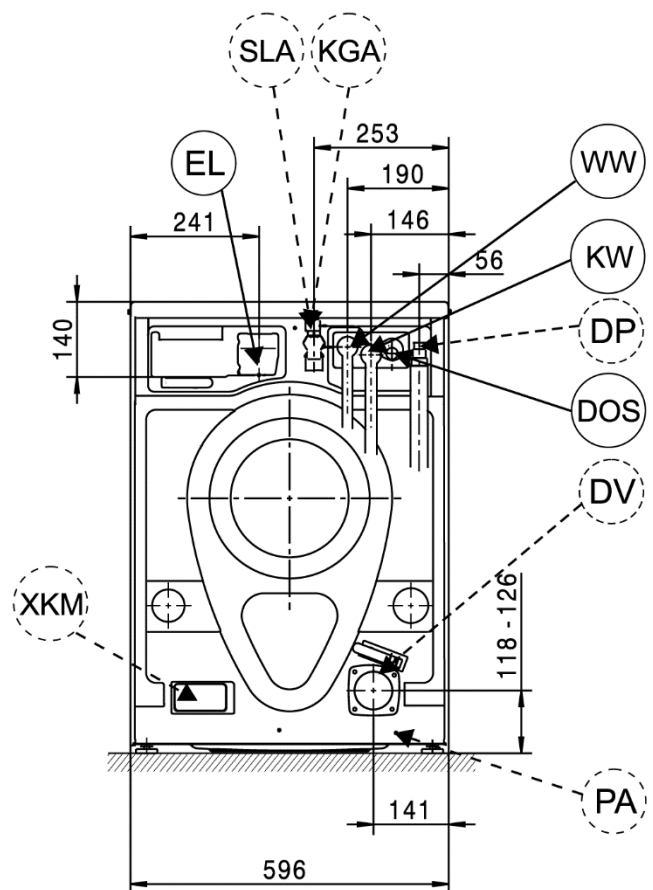
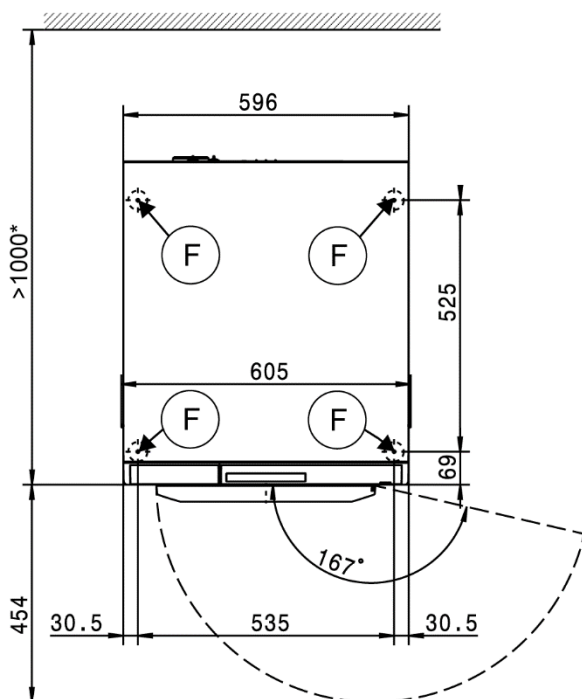
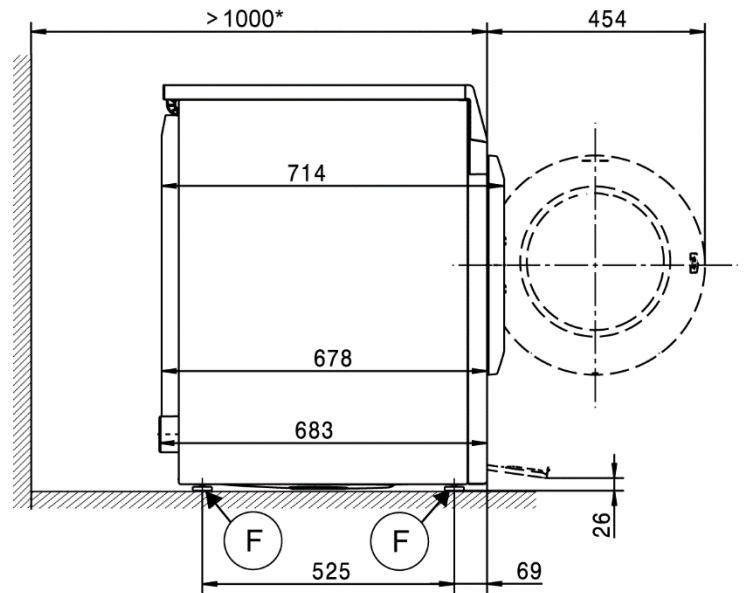
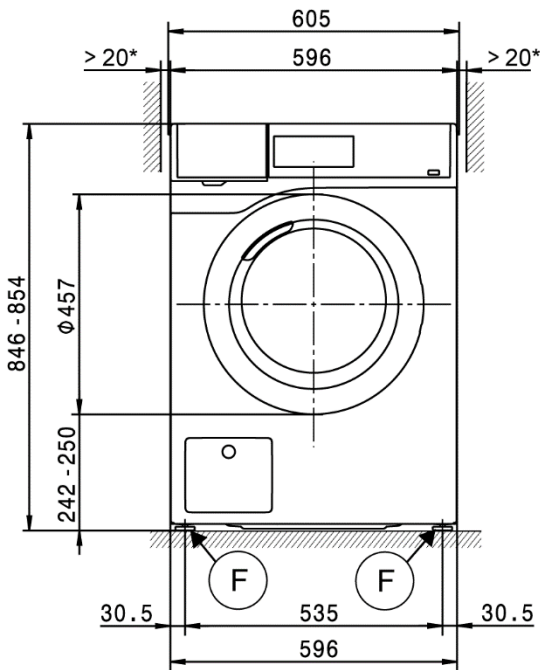
DV Drain valve
AW Waste water connection
B Appliance anchoring
BW Grey water connection
DOS Dispenser connection
EL Electrical connection
F Appliance feet, adjustable
KG Payment system
KGA Payment system connection

KW Cold water connection
DP Drain pump
PA Equipotential bonding
SLA Peak load connection
APCL SST Box plinth
APCL OB Open plinth
APCL 001 Washer-dryer stacking kit
WW Hot water connection
XKM Communication module

Technical changes and errors excepted.

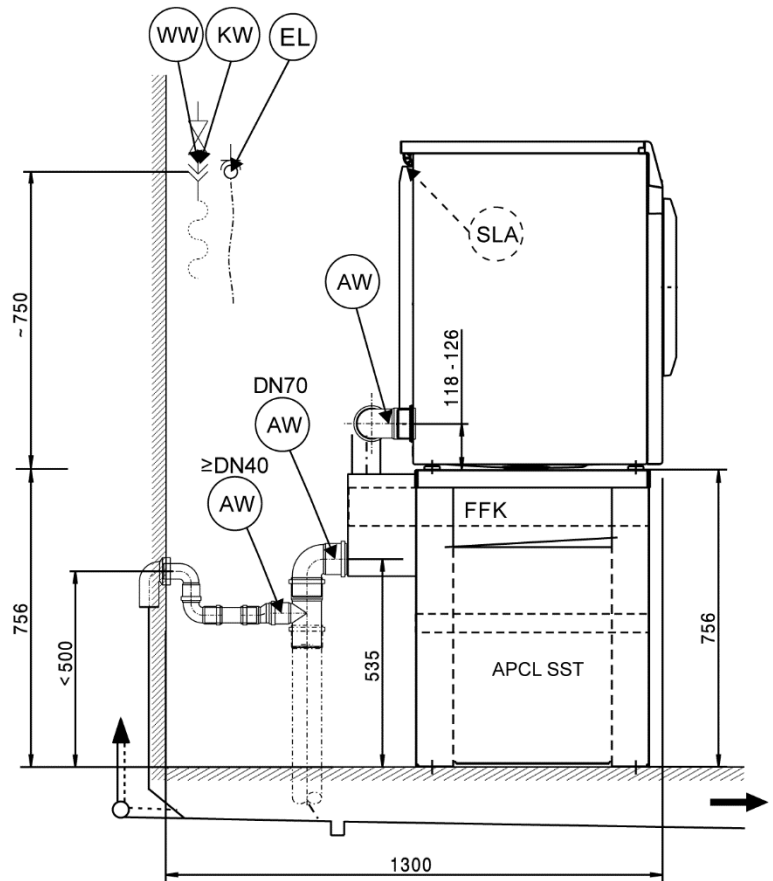
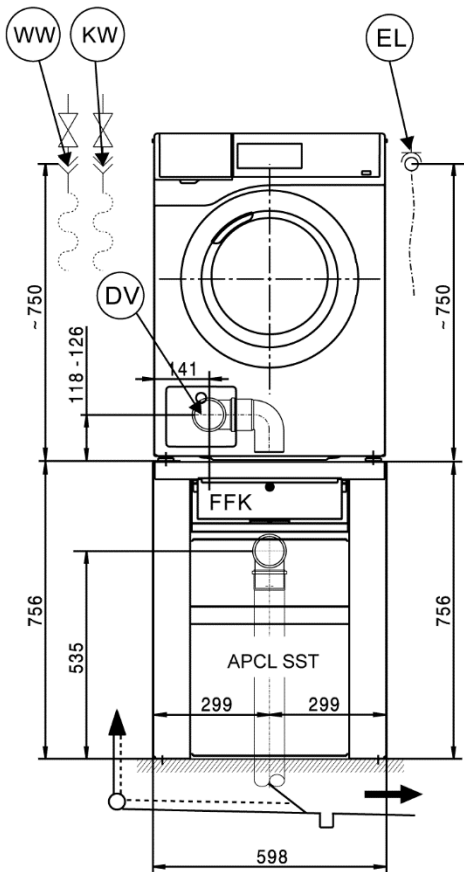
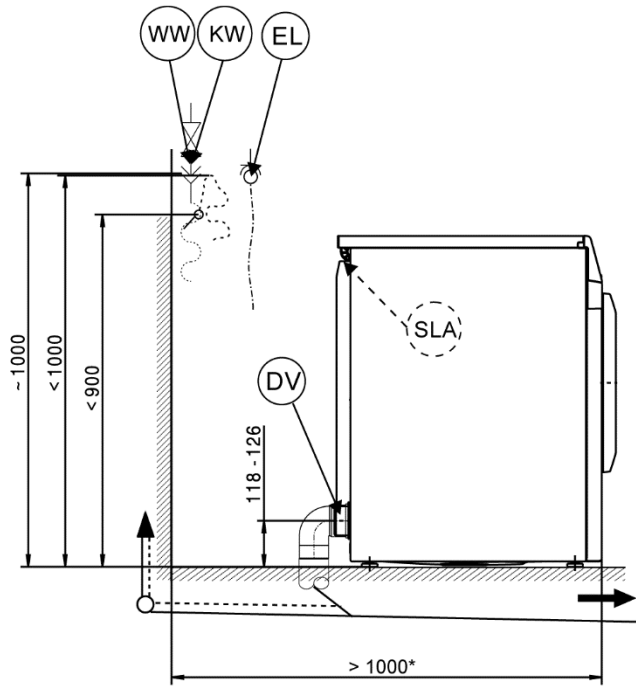
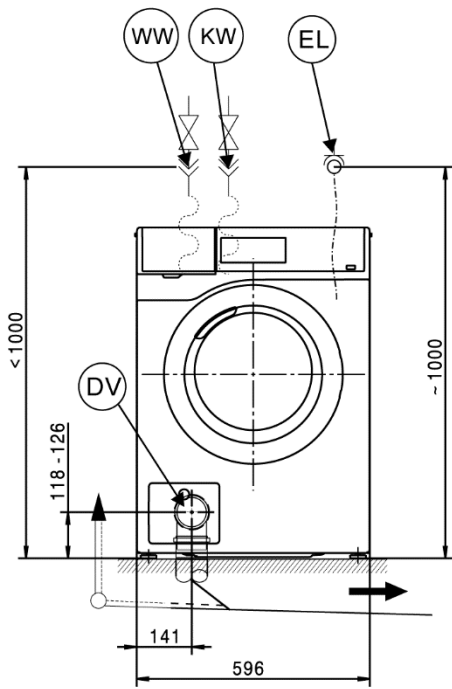
Appliance dimensions

* The wall spacers are recommended for making service work easier. The machine may be pushed against the wall if installation conditions mean there is limited space.



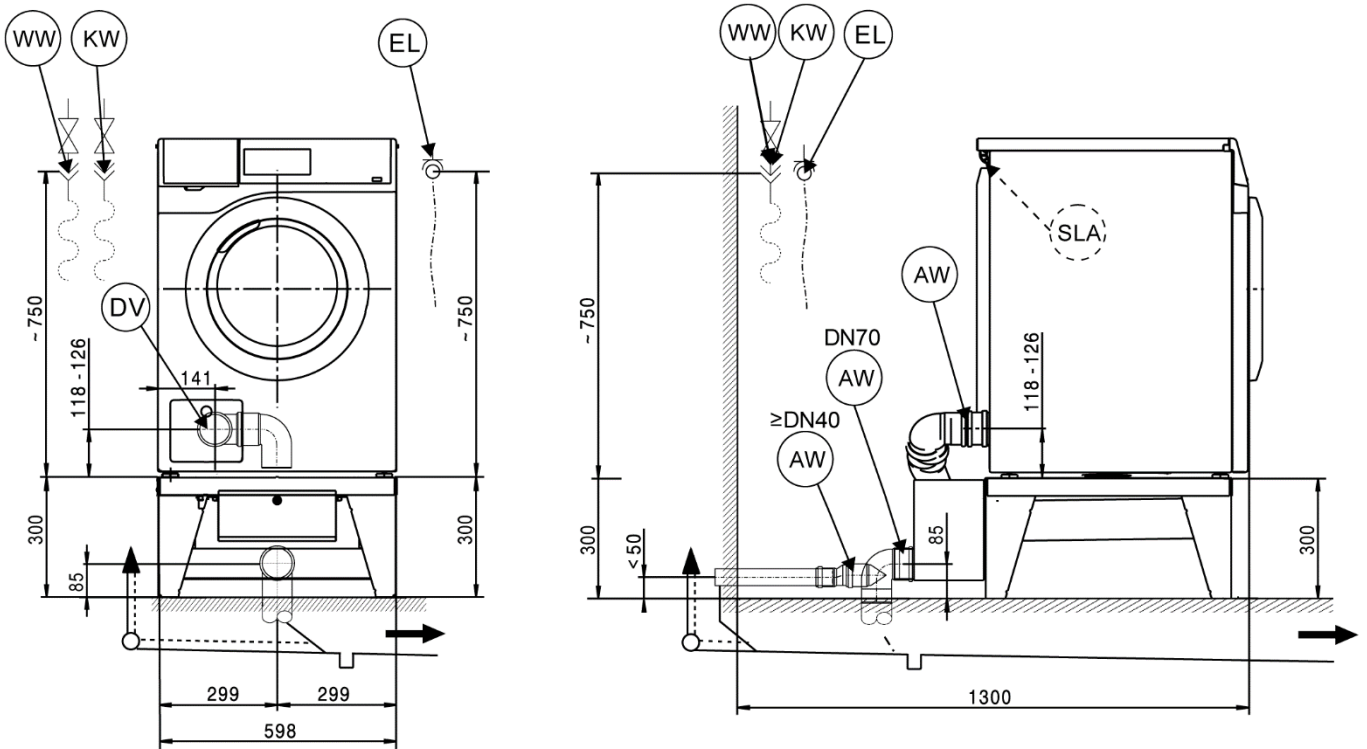
Installation

* The wall spacers are recommended for making service work easier. The machine may be pushed against the wall if installation conditions mean there is limited space.



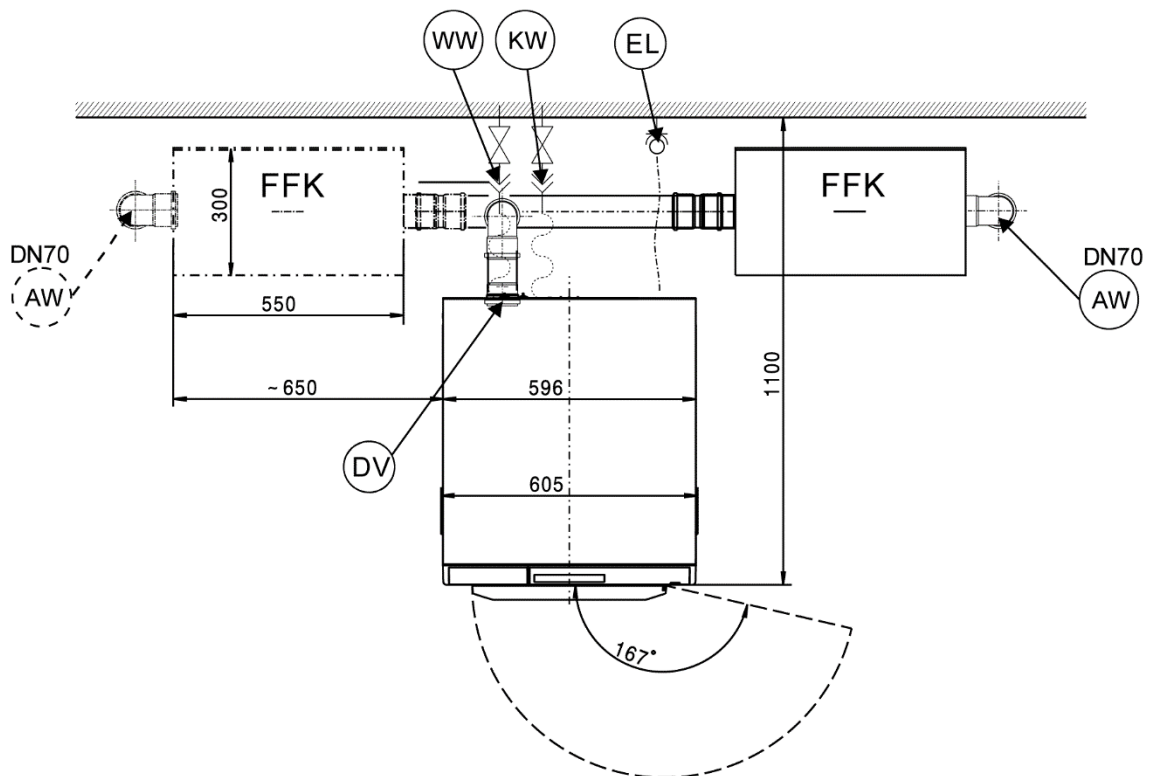
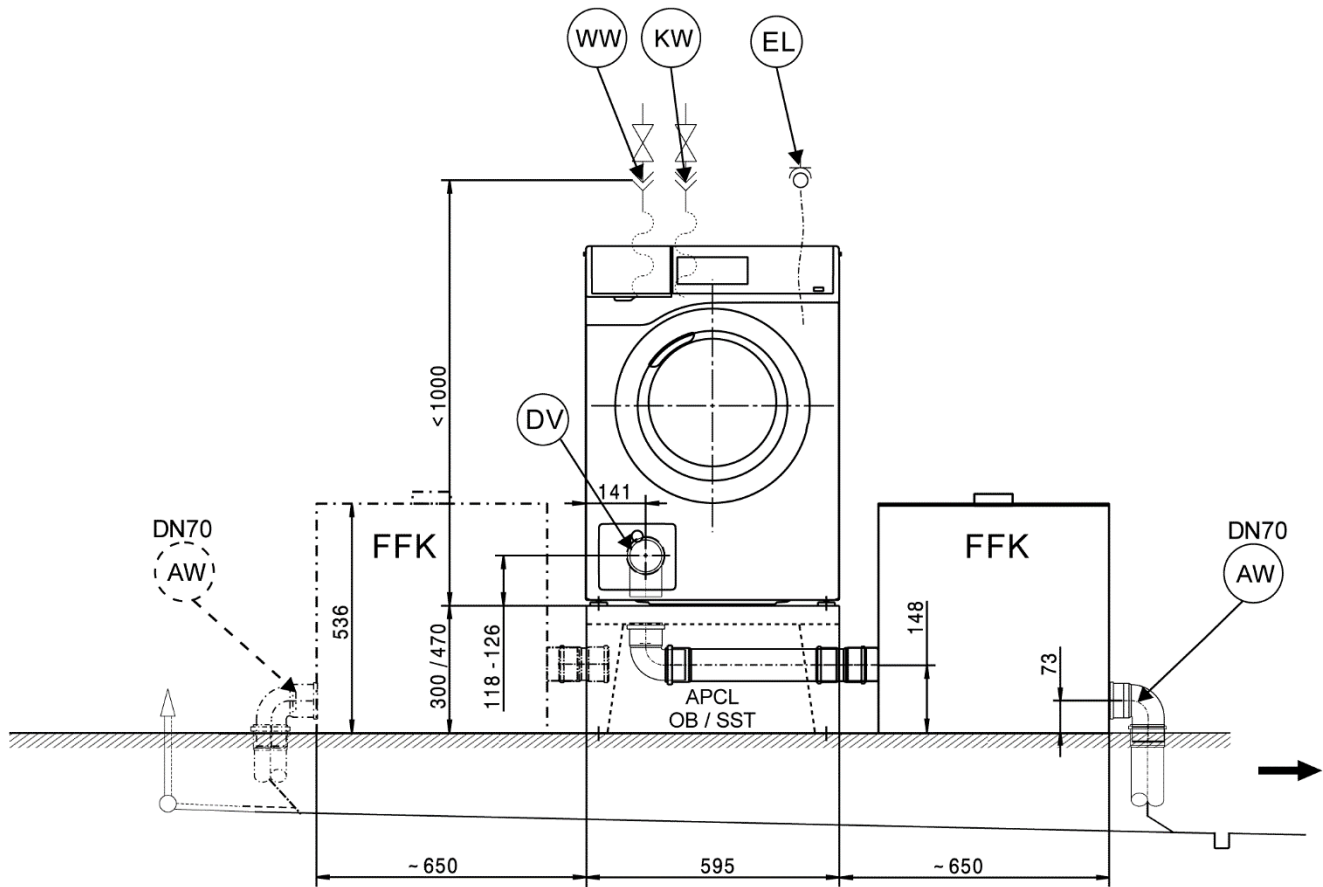
Installation

* The wall spacers are recommended for making service work easier. The machine may be pushed against the wall if installation conditions mean there is limited space.



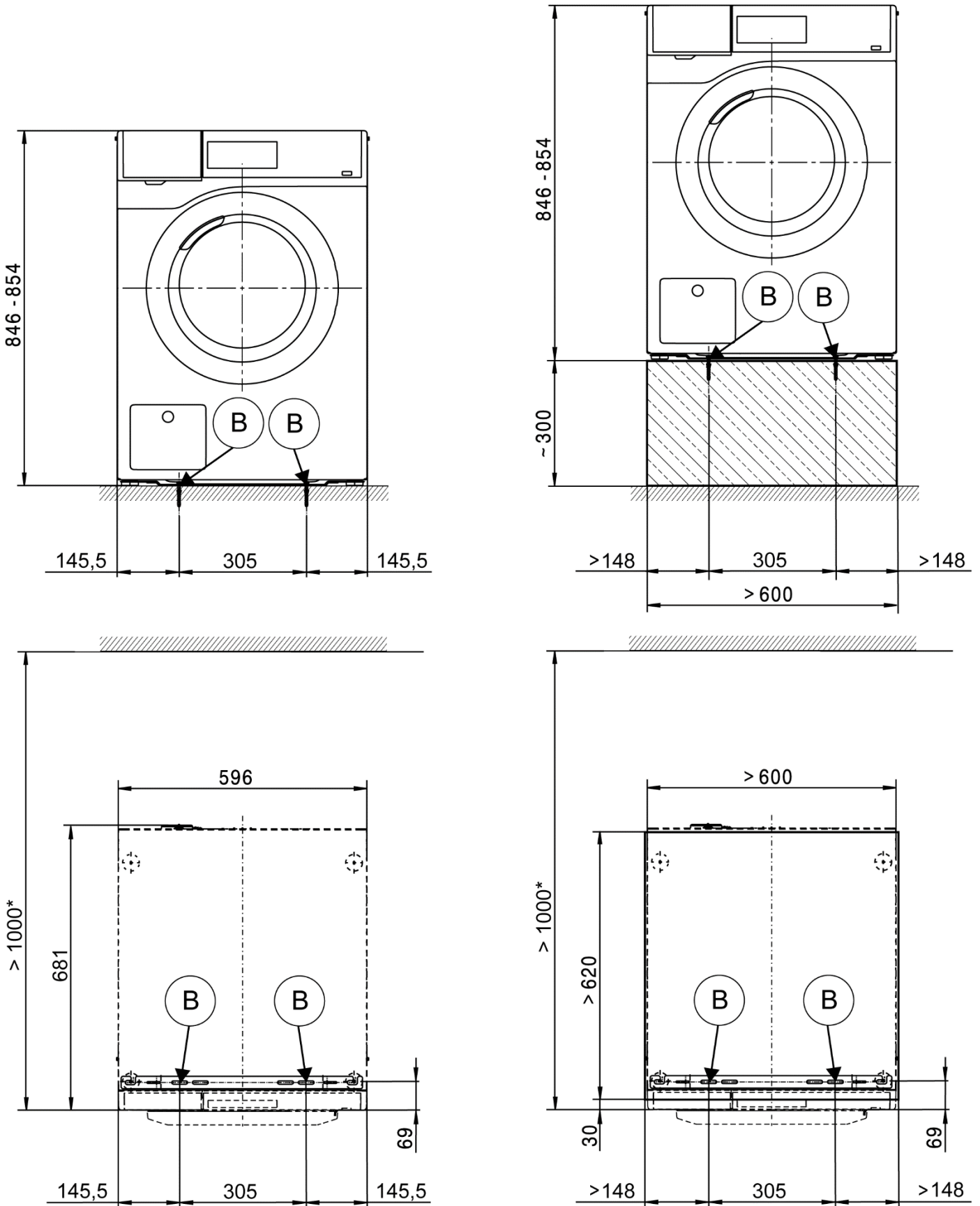
Installation with FFK 01

* The wall spacers are recommended for making service work easier. The machine may be pushed against the wall if installation conditions mean there is limited space.



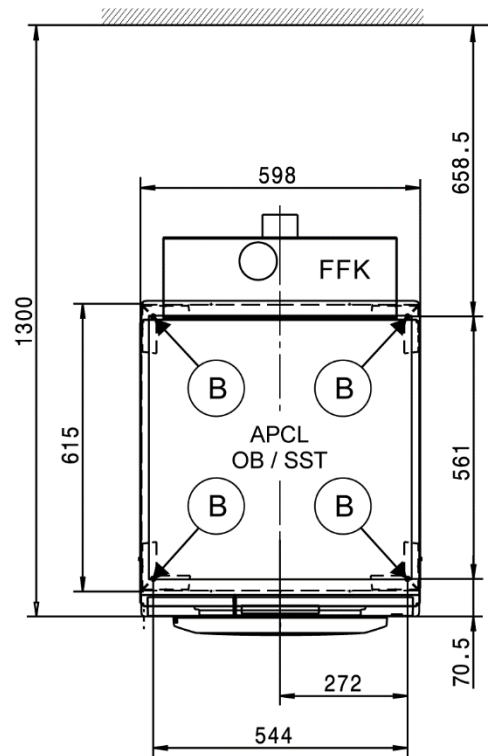
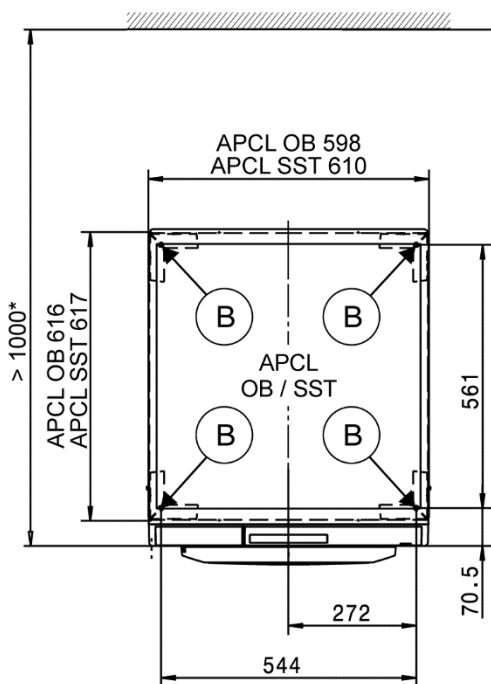
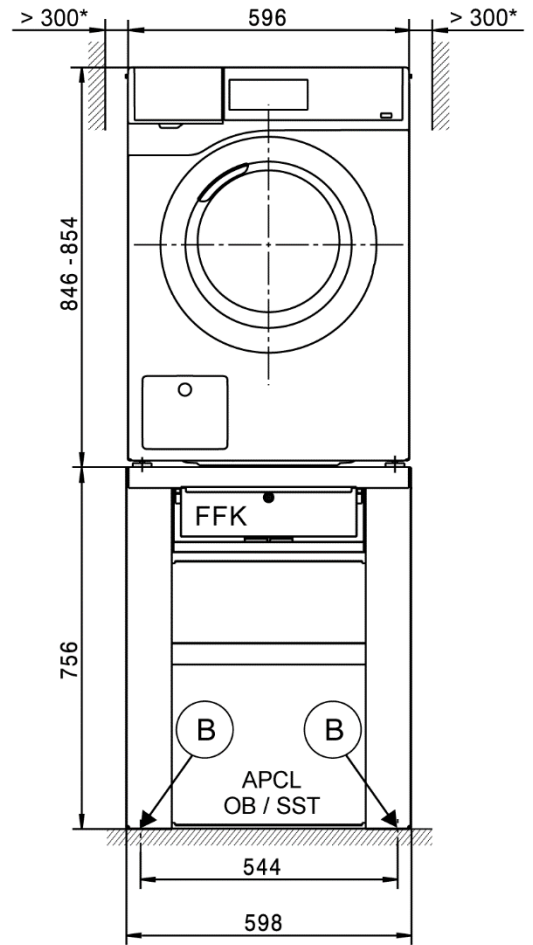
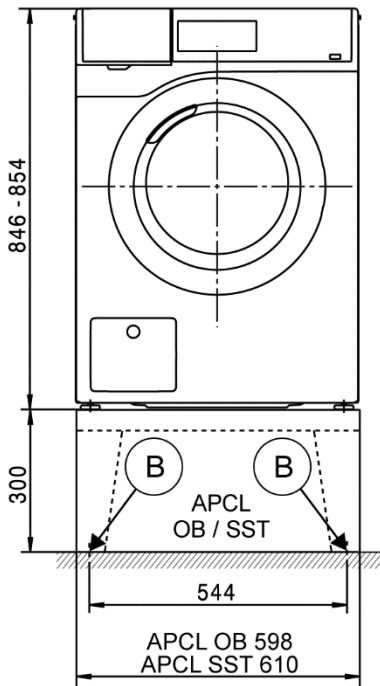
Installation

* The wall spacers are recommended for making service work easier. The machine may be pushed against the wall if installation conditions mean there is limited space.



Installation

* The wall spacers are recommended for making service work easier. The machine may be pushed against the wall if installation conditions mean there is limited space.



Technical data

			PWM 508 DV
Drum volume	l		73
Load capacity	kg		8.0
Door opening diameter	mm		300
Max. spin speed	rpm		1400
g factor			540

Electrical connection (EL)

			1N AC 230 V
Standard voltage (AU, NZ)			
Frequency	Hz		50
Total rated load	kW		4.8
Fuse rating	A		1 x 25
Supply cable min. cross-section	mm ²		3 x 2.5
Supply cable without plug			●
Length of supply cable	mm		2000

Cold water (KW)

Permissible water flow pressure	kPa		100–1000
Required flow rate (cold water connection only)	l/min		11
Required flow rate (with additional hot water connection)	l/min		10
Connection to be provided on site, external thread according to AS 3688 (flat seal)	Inch		¾"
Connection hose ½" with ¾" threaded union			●
Connection hose length	mm		1550

Hot water (WW)

Max. water intake temperature	°C		70
Permissible water flow pressure	kPa		100–1000
Required flow rate	l/min		11
Connection to be provided on site, external thread according to AS 3688 (flat seal)	Inch		¾"
Connection hose ½" with ¾" threaded union			●
Connection hose length	mm		1550

Drain valve (DV)

Connection (ext. diameter)	mm		75 (DN70)
Max. drainage temperature	°C		90
Max. transient flow rate	l/min		62

Equipotential bonding (PA)

Appliance connection (with installation kit)			○
--	--	--	---

XCI-Box interface

			●
--	--	--	---

Peak load/energy management (SLA)

Appliance connection (with XCI-Box)			○
-------------------------------------	--	--	---

Communication module (XKM)

Communication module XKM 3200 WL PLT			○
--------------------------------------	--	--	---

Liquid dispensing (DOS)

Connection for liquid detergents			●
Max. number of dispenser pumps			6
XCI-Box interface			○

Installation on appliance feet (F)

No. of appliance feet	No.		4
Appliance foot, height-adjustable with thread	mm		+8
Appliance foot diameter	mm		40

● = standard, ○ = optional, + = only on request, - = not available

Technical data

PWM 508 DV

Anchoring (B)

Standard anchoring

Floor anchor kit (for 2 machine feet) with anchors		●
Wood screws according to DIN 571	mm	6 x 50
Wall plugs (diameter x length)	mm	8 x 40

Anchoring of Miele plinths

Accessory: Miele plinth (fasteners included)		○
Required anchor points	No.	4
Wood screws according to DIN 571	mm	8 x 65
Wall plugs (diameter x length)	mm	12 x 60

Plinth floor anchoring (to be provided on site)

Appliance installation on on-site base (concrete or masonry)		○
Min. plinth installation footprint (W/D)	mm	600/650
Wood screws according to DIN 571	mm	6 x 50
Wall plugs (diameter x length)	mm	8 x 40

Appliance data

Overall appliance dimensions (H/W/D)	mm	850/605/714
Casing dimensions (H/W/D)	mm	850/596/678

Site-access dimensions (H/W)

Min. site-access opening (excl. packaging)	mm	900/605
--	----	---------

Installation dimensions

Side gap	mm	20
Recommended side gap – washer-dryer stack	mm	300
Recommended distance to opposite wall from appliance front	mm	1000

Weights and floor loads

Appliance weight (net weight)	kg	101
Max. floor load in operation	N	2820
Max. floor load, static	N	1380
Max. floor load, dynamic	N	1365

Emissions

Emission sound pressure level (in accordance with EN ISO 11203/11204)	dB(A)	<70
Heat dissipation rate to installation site	W	250

● = standard, ○ = optional, + = only on request, - not available

Installation and planning notes

Installation requirements

Electrical connection should only be made to a power supply provided in accordance with all appropriate local and national legislation and regulations.

In addition, all regulations issued by the relevant utilities as well as standards relating to occupational safety and all applicable valid regulations and technical standards must be observed.

Transportation and site access

The washing machine must not be moved without the transit bars in place. Keep the transit bars in a safe place. They must be re-fitted if the machine is to be moved again (e.g. when moving house).

General operating conditions

Ambient temperature in installation room: +2 °C to +35 °C.

Depending on the nature of the installation site, sound emissions and vibration may occur. Miele recommends consulting a specialist if particular requirements apply at the installation site with respect to sound emissions.

Electrical connection

Depending on the model, the machine is delivered with a supply lead with/without a plug.

The appliance may only be connected to an electrical system that conforms to the national and local codes and regulations. The installation must be performed by a suitably qualified and competent electrician.

The data plate indicates the nominal power consumption and the appropriate fuse rating. Compare the specifications on the data plate with those of the electrical power supply.

The appliance can either be hard-wired or connected using a plug-and-socket connection. It is always recommended to connect the machine via a plug and socket so that electrical safety checks, e.g. during repair or service work, can be carried out easily.

If the appliance is hard wired, an all-pole disconnection must be provided on site. The means of disconnection must be incorporated in the fixed wiring in accordance the wiring rules. When switched off, there must be an all-pole contact gap of at least 3 mm in the isolator switch (including circuit breakers, fuses, and relays according to AS/NZS 3000).

The plug connector or isolator switch should be easily accessible at all times. If the appliance is disconnected from the electricity supply, the isolator must be lockable or the point of disconnection must be monitored at all times.

New connections, modifications to the system or servicing of the earthing conductor, including determining the correct fuse amperage, must be carried out by a qualified electrician, as they are familiar with the pertinent regulations and the specific requirements of the electric utility company.

The washing machine must not be connected to devices such as timers which would switch it off automatically.

References to cable cross-sections in the technical data refer only to the required mains cable. Please consult relevant local and national regulations when calculating any other wire gauges.

Cold water connection

The washing machine must be connected to the mains water supply in accordance with current local and national safety regulations and via a non-return valve, which is supplied separately with the machine.

Connection to the mains water supply should incorporate a mains tap with a threaded union. The tap should be fitted by a qualified plumber. A suitable connection hose with a threaded union is provided with the machine.

Longer hoses (2.5 or 4.0 m in length) are available from Miele as separate parts (available depending on country).

Hot water connection

The same connection requirements as for cold water also apply to hot water (max. 70 °C).

A suitable connection hose with a threaded union is provided with the machine.

The hot water connection appliance also requires a cold water connection.

In the event that hot water is not available on site, connection of the second hose must be made to a cold water supply.

Alternatively, the hot water connection should be blocked using the enclosed blind stopper and the machine controls set to cold water intake.

The required amount of hot water should be added to the cold water volume.

Drain valve

The washing machine is drained using a motorised drain valve. The machine can be connected directly to the on-site drainage system (without a siphon) using a commercially available angle connector, or via a floor drain (gully with odour trap).

A vented drainage system is vital for unimpeded drainage. If on-site venting is insufficient, a vent kit (Mat. no. 05 239 540) is available from Miele.

If several machines are connected to a single drain pipe, this should be sufficiently large to allow all machines to drain simultaneously.

Equipotential bonding

If necessary, equipotential bonding with good galvanic contact must be guaranteed in compliance with all applicable local and national installation specifications.

Connection material for equipotential bonding must be provided on site or using a kit available from Miele.

Peak load/energy management

The appliance can be connected to a peak-load or energy management system using an optional kit.

When the peak load function is activated, the heating is switched off. A message appears in the display to inform you of this.

Liquid dispensing connection

External liquid dispenser pumps with a “container empty” indicator can be used to dispense liquid detergents.

The dispenser pumps can only be programmed with MDU.

It is particularly important to observe the manufacturer's instructions when using a combination of detergents, additives and special-purpose products.

Interface

The appliance can be fitted with an XKM 3200 WL PLT communication module.

This module can be used as a Wi-Fi or LAN interface.

The LAN interface provided via the module complies with AS/NZS 60950. The LAN connection uses an RJ45 connector in accordance with EIA/TIA 568-B.

Installation

The machine must be installed on a perfectly smooth, level and firm surface which is able to withstand the quoted loads.

The floor load created by the machine is concentrated and transferred to the installation footprint via the machine feet.

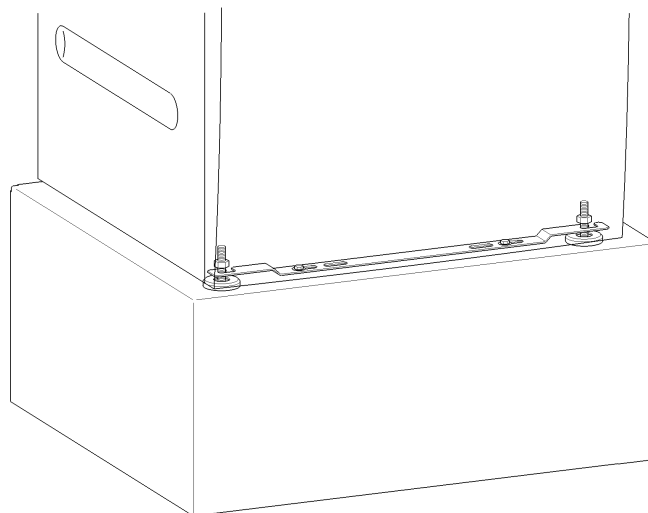
The machine should be levelled in both directions with the aid of the adjustable feet.

Plinth installation

The washing machine can be installed on a machine plinth (open or box plinth, available as an optional Miele accessory) or on a concrete platform to be provided on site.

The quality of the concrete and its strength must be assessed according to the machine load. Ensure that any raised concrete plinth is adequately bonded to the floor below.

If the washing machine is installed on a concrete or masonry plinth, it must be secured using the anchors supplied with the machine. Otherwise, there is the danger of the washing machine falling off the plinth during spinning.



The anchors provided can be used to bolt the machine to the floor by both front feet. The fixing material provided is intended to be used for bolting the machine to a concrete floor.

Bolts and fasteners for all other floor types must be provided on site.

Washer-dryer stack

This washing machine can be installed with a Miele tumble dryer on top of it. A stacking kit (optional accessory) is required for this.

The stacking kit must be installed by Miele Professional Service or an authorised Miele service technician.