

Operating and installation instructions Heat-pump tumble dryer



It is **essential** to read these operating instructions before installing and using the appliance. This prevents both personal injury and damage to the appliance.

Contents

Caring for the environment	7
Warning and Safety instructions	8
Operating the tumble dryer	21
Control panel	21
Sensors and touch display with sensor controls	22
Main menu	22
Examples on how to operate the appliance	23
Operating the laundrette version	25
Using for the first time	27
Switching on the tumble dryer	27
Reference to external appliances	28
Setting the display brightness	28
Setting the date	28
Selecting programme packages	29
Completing the commissioning process	30
1. Notes on correct laundry care	31
Washing	31
Drying	31
Care label symbols	31
2. Loading the tumble dryer	32
Checking the socket for the fragrance flacon	32
3. Selecting a programme	33
Switching on the tumble dryer	33
Selecting a programme	33
4. Selecting programme settings	34
Main menu for a programme	34
Selecting the drying level	34
Selecting the duration (timed drying programmes)	34
Selecting Extras	35
Gentle tumble	35
Anti-crease	35
5. Starting a programme	36
6. End of programme - unloading the drum	37
At the end of the programme	37
Removing the laundry	37
Observing care instructions	37

Timer	38
Programme chart	39
Label.....	39
Programme packages	40
Standard.....	40
Sport.....	45
Soft furnishings	46
Hygiene	47
WetCare.....	48
Flatwork.....	48
Special programmes	49
Changing the programme sequence	50
Changing a programme after it has started	50
Cancelling a programme	50
Reselecting a cancelled programme.....	50
Adding or removing laundry	50
Fragrance flacon	51
Inserting a fragrance flacon.....	51
Opening the fragrance flacon.....	53
Closing the fragrance flacon	53
Removing/replacing the fragrance flacon	54
Cleaning and care	55
Cleaning interval.....	55
1. Cleaning the fluff filters.....	55
2. Cleaning the plinth filter.....	56
3. Cleaning the bottom right grille/heat exchanger for heat dissipation	57
Cleaning the filters.....	58
Removing the fragrance flacon	58
Removing visible fluff	58
Cleaning the fluff filters and air flow openings thoroughly	59
Cleaning the filter in the plinth.....	61
Removing the plinth filter	61
Cleaning the plinth filter with water	62
Replacing the plinth filter.....	62
Cleaning the filter insert (in the plinth)	64
Removing the filter insert	64
Checking the cooling fins on the heat exchanger	65
Refitting the filter insert in the plinth.....	66
Refitting the fluff filter in the plinth	66
Cleaning and closing the fluff filter flap.....	67

Contents

Cleaning the bottom right grille/heat exchanger	68
Removing the grille.....	68
Cleaning the cooling fins	69
Refitting the grille	69
Cleaning the dryer	70
Problem solving guide	71
Programme cancellation and fault messages in the display	71
Messages in the display	74
Unsatisfactory drying result.....	76
The drying process takes a long time.	77
General problems with the tumble dryer	78
Regenerating the plinth filter	79
Service	80
Contact in case of fault	80
Optional accessories	80
Installation	81
Front view	81
Rear view	82
Installation locations.....	83
Side view	83
Steel plinth.....	83
View from above.....	83
Washer-dryer stack	83
Transporting the dryer to its installation site	84
Installation	85
Downtime after installation.....	85
Levelling the dryer	85
Room ventilation	86
External control equipment	86
Drain hose for condensed water	87
Electrical connection	89
Technical data	90
Supervisor level	91
Opening the Supervisor level	91
Access via code	91
Change code	91
Demo programme	91
Closing the settings menu.....	91

Controls / Display	91
Language.....	91
Language entry	92
Set languages.....	92
Display brightness.....	92
Time.....	93
Date	93
Volume.....	93
Res. moisture display	93
Visibility parameters	93
“Display” off status.....	94
“Machine” off status.....	94
Delay start	94
Memory	95
Temperature unit.....	95
Weight unit	95
Logo	95
Supervisor code	95
Programme selection	96
Controls.....	96
Programme packages	97
Favourite programmes	98
Special programmes	99
Sort programmes	100
Prog. colour allocation	100
Process technology.....	101
Anti-crease	101
Drying levels	101
Further cooling	101
Cooling down temperature.....	101
Service.....	102
Clean out the airways.....	102
Service interval	102
External applications	103
Peak load signal	103
Peak load prevention.....	103
COM module selection.....	103
Availability of Miele digital products.....	103
Wi-Fi / LAN	104
Network time	105
Remote.....	105
Remote Update	106
SmartGrid.....	106

Contents

Machine parameters.....	107
Legal information.....	107
Payment system.....	107
Settings for the payment system	107
F-back signal to pay system	108
Payment system lock	108
Clear paid signal.....	108
Debounce time	109
Pay system override time	109
Duration Cool air	109
Duration Warm air.....	109
FOC programmes.....	109

Disposal of the packing material

The transport and protective packaging has been selected from materials which are environmentally friendly for disposal, and can normally be recycled.

Recycling the packaging reduces the use of raw materials in the manufacturing process and also reduces the amount of waste in landfill sites. Ensure that any plastic wrappings, bags etc. are disposed of safely and kept out of the reach of babies and young children. Danger of suffocation.

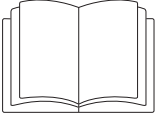
Disposing of your old appliance

Electrical and electronic appliances often contain valuable materials. They also contain specific materials, compounds and components, which were essential for their correct function and safety. These could be hazardous to human health and to the environment if disposed of with your domestic waste or if handled incorrectly. Please do not, therefore, dispose of your old appliance with your household waste.



Please dispose of it at your local community waste collection / recycling centre for electrical and electronic appliances. You are also responsible for deleting any personal data that may be stored on the appliance prior to disposal. Please ensure that your old appliance poses no risk to children while being stored prior to disposal.

Warning and Safety instructions



- ▶ It is essential to read these instructions.

This tumble dryer complies with all current local and national safety requirements. However, inappropriate use can lead to personal injury and damage to property.

Read the operating instructions carefully before using the tumble dryer. They contain important information on safety, installation, use and maintenance of the appliance. This prevents both personal injury and damage to the tumble dryer.

In accordance with standard IEC 60335-1, Miele expressly and strongly advises that you read and follow the instructions in “Installation”, as well as in the “Warning and Safety instructions”.

Miele cannot be held liable for injury or damage caused by non-compliance with these instructions.

Keep these operating instructions in a safe place and pass them on to any future owner.

When instructing other people how to use the tumble dryer, they must be made aware of these Warning and Safety instructions.

Correct application

- ▶ The dryer is intended exclusively for drying textiles washed in water which have been labelled as suitable for tumble drying by the manufacturer on the care label. Any other applications may be dangerous. Miele cannot be held liable for damage resulting from incorrect or improper use or operation.

Warning and Safety instructions

- ▶ This tumble dryer is intended for commercial use in small businesses, care homes, sports clubs, hospitals and other similar commercial environments. This machine may also be operated by lay persons in public areas such as laundrettes, communal laundry rooms or similar.
- ▶ This tumble dryer is also intended for use in domestic households and in similar residential environments, for example by customers in hotels, motels, bed and breakfasts and other related establishments.
- ▶ This tumble dryer is not suitable for outdoor use.
- ▶ This appliance is not intended for use by persons (including children) with reduced physical, sensory or mental capabilities, or lack of experience or knowledge, unless they are supervised whilst using it or have been shown how to use it in a safe way and understand and recognise the consequences of incorrect operation.
- ▶ Young children must not be allowed to use this appliance.
- ▶ Older children may only use the dryer if its operation has been clearly explained to them and they are able to use it safely. They must be able to understand and recognise the possible dangers caused by incorrect operation.
- ▶ Children must not be allowed to clean or maintain the tumble dryer unsupervised.
- ▶ Children should be supervised in the vicinity of the tumble dryer. Do not allow them to play with the appliance.

Warning and Safety instructions

Technical safety

- ▶ Before installing the dryer, check it for visible signs of damage. Do not install or use a damaged appliance.
- ▶ Do not make any alterations to the dryer, unless authorised to do so by Miele.
- ▶ Temporary or permanent operation with a self-sufficient or non-mains synchronous energy supply system (e.g. isolated networks, back-up systems) is possible. A requirement for the operation is that the energy supply system complies with all current local and national requirements that apply to stand-alone, solar and/or battery systems.

The protective measures provided in the installation and in this Miele product must also be assured in their function and operation in isolated operation or in non-mains synchronous operation, or replaced with equivalent measures in the installation.
- ▶ Do not connect the dryer to the mains electricity supply by an extension lead. Extension leads do not guarantee the required safety of the appliance (e.g. danger of overheating).
- ▶ If the electrical connection cable is faulty, it must only be replaced by a Miele authorised service technician to protect the user from danger.
- ▶ The electrical safety of this appliance can only be guaranteed when continuity is complete between it and an effective earthing system. It is essential that this standard safety requirement is observed and regularly tested. If in any doubt, have the electrical installation inspected by a qualified electrician. Miele cannot be held liable for the consequences of an inadequate earthing system (e.g. electric shock).
- ▶ Unauthorised repairs could result in unforeseen dangers for the user, for which Miele cannot accept liability. Repairs must only be carried out by a Miele authorised service technician, otherwise any subsequent damage will not be covered by the warranty.

Warning and Safety instructions

- ▶ Faulty components must only be replaced by genuine Miele original spare parts. Miele can only guarantee the safety standards of the machine when Miele replacement parts are used.
- ▶ To ensure the correct performance of the tumble dryer and to prevent malfunctions and fire hazards, it is important to carry out maintenance on a regular basis.
- ▶ In the event of a fault and for cleaning purposes, the tumble dryer must be disconnected from the electricity supply. It is only completely disconnected when:
 - it is switched off at the wall socket or the plug is withdrawn, or
 - the mains fuse is disconnected, or
 - it is switched off at the mains circuit breaker.

For further information see “Installation - Electrical connection”.

- ▶ This tumble dryer must not be installed and operated in mobile locations (e.g. on a ship).
- ▶ Please observe the instructions in “Installation” and “Technical data”.
- ▶ The electrical socket must be easily accessible so that the tumble dryer can be disconnected from the electricity supply.
- ▶ If the appliance is hard wired, adequate provision must be made on site to switch off all poles to disconnect the tumble dryer from the electricity supply. The means of disconnection must be incorporated in the fixed wiring in accordance with the wiring rules.
- ▶ The gap between the bottom of the tumble dryer and the floor must not be blocked with plinth facings, deep pile carpet etc., which would obstruct the openings. This would hinder a sufficient flow of air to the tumble dryer.

Warning and Safety instructions

▶ The appliance must not be installed behind a lockable door, a sliding door or a door with a hinge on the opposite side to that of the tumble dryer, in such a way that a full opening of the tumble dryer door is restricted.

▶ This tumble dryer is supplied with a special lamp to cope with particular conditions (e.g. relating to temperature, moisture, chemical resistance, abrasion resistance, and vibration). This special lamp must only be used for the purpose for which it is intended. It is not suitable for room lighting. Replacement lamps may only be fitted by a Miele authorised technician or by Miele Professional Service.

▶ Information on the heat pump and refrigerant

- This tumble dryer uses refrigerant gas which is not flammable and not explosive.
- The humming noises caused by the heat pump during the drying process are normal. They do not impair the correct functioning of the dryer.

 Damage to the tumble dryer by switching it on too soon.

This can damage the heat pump.

After setting up the tumble dryer, wait for at least one hour before switching it on.

- This tumble dryer contains fluorinated greenhouse gases. They are hermetically sealed.

Designation of refrigerant: R134a

Amount of refrigerant: 0.61 kg

Global warming potential of refrigerant: 1430 kg CO₂ e

Global warming potential of appliance: 872 kg CO₂ e

▶ In areas which may be subject to infestation by cockroaches or other vermin, pay particular attention to keeping the appliance and its surroundings in a clean condition at all times. Any damage which may be caused by cockroaches or other vermin will not be covered by the warranty.

Correct use



**WARNING:
FLAMMABLE MATERIAL**

⚠ Warning: Risk of fire / Flammable materials.

To avoid the possible danger of fire, please read these warnings carefully.

⚠ A clogged filter is a fire hazard!

The fluff filter must be cleaned after every programme.

- ▶ The maximum load is 8 kg (dry laundry). See the “Programme chart” for the maximum recommended loads for individual programmes.
- ▶ Do not lean on the door. Otherwise, the tumble dryer may tip over, causing injury to yourself or others.
- ▶ Always close the door after use. This way you will avoid the danger of
 - children climbing into the tumble dryer or hiding things in it.
 - pets or other small animals climbing into the tumble dryer.
- ▶ Do not use a pressure washer or high-pressure hose to clean the tumble dryer.

Warning and Safety instructions

► Keep the room where the tumble dryer is located free from dust and fluff. If the air that is taken into the machine contains dirt particles, they can cause blockages. This can lead to faults and create a fire hazard.

Warning and Safety instructions

- ▶ The tumble dryer must not be used
 - without the fluff filters and the filter in the plinth in place.
 - without the bottom right grille fitted.
 - if the fluff filters or the filter in the plinth are damaged in any way. In case of damage, fluff filters and plinth filter must be replaced immediately.

A damaged filter would cause an excessive build-up of fluff which in turn would cause a fault.

- ▶ To ensure problem-free operation of the dryer:
 - Remove the fluff from the filter surfaces and the fluff filters after every drying cycle.
 - In addition, the fluff filters, filter surfaces, the grille at the bottom right and the air passages must be cleaned when prompted by the display.

▶ Do not install the tumble dryer in a room where there is a risk of frost. At temperatures around freezing point, the tumble dryer may not be able to operate properly. There is a risk of damage if the condensed water is allowed to freeze in the pump and drain hose. The permitted room temperature is between 2 °C and 35 °C.

▶ If the water is drained externally, make sure the drain hose is secured against slipping, e.g. if you hang it in a laundry tub or laundry trough.

Otherwise the hose may slip off and the condensation water flowing out may cause damage.

▶ Condensed water is not drinking water.

It can cause health problems in both people and animals if consumed.

Warning and Safety instructions

► To prevent the risk of fire, the following textiles must not be dried in the tumble dryer:

- Items which have not been washed.
- Items, such as workwear, which have not been thoroughly cleaned and are still soiled with grease, oil or other deposits (such as cooking oils, cosmetics, lotions, etc.). If items have not been thoroughly cleaned, there is a danger that they might ignite when heated, even after they have been removed from the tumble dryer at the end of the programme.
- Items (e.g. mops and floor cloths) that have been treated with inflammable cleaning agents or which contain residues of acetone, alcohol, benzene, petrol, kerosene, stain remover, turpentine, wax and wax remover or other chemicals.
- Items which have been splashed with hair lacquer, hair spray, nail varnish remover or similar substances.

When washing such heavily soiled items ensure that you use a larger quantity of detergent and select a high temperature. If in doubt, wash the items several times.

► Oil-affected items can ignite spontaneously, especially when exposed to heat sources such as in a tumble dryer.

The items become warm, causing an oxidation reaction in the oil. Oxidation creates heat.

If the heat cannot escape, the items can become hot enough to catch fire. Piling, stacking or storing oil-affected items can prevent heat from escaping and so create a fire hazard.

If it is unavoidable that fabrics contaminated with vegetable or cooking oil, or hair care products, be placed in a tumble dryer, they should first be washed in hot water with extra detergent - this will reduce, but not eliminate, the hazard.

► Remove all items from pockets (e.g. lighters, matches).

Warning and Safety instructions

▶ **WARNING:** Never switch the tumble dryer off before the end of the drying programme unless all items are removed immediately and spread out to cool down.

▶ Fire hazard!

This tumble dryer must not be connected to a controllable socket (e.g. a timer or a peak-load switch-off device).

The tumble dryer may only be operated with a peak-load device if this is connected to the tumble dryer via the Miele XCI box and the relevant settings have been configured on the tumble dryer.

There is a risk of the laundry self-igniting if the drying programme is cancelled before the cooling phase has finished.

▶ To prevent the risk of fire, the following textiles must never be dried in the tumble dryer:

- Items which have been cleaned using industrial chemicals (e.g. professional dry-cleaning agents).
- Fabrics which contain a large proportion of rubber, foam rubber or rubber-like materials. For example, products made from latex foam rubber, shower caps, waterproof textiles, rubberised articles and items of clothing and pillows with foam rubber filling.
- Fabrics which contain padding or fillings which are damaged (e.g. pillows, jackets). The filling could fall out and cause a fire.

▶ The programme finishes when the cooling phase has been completed. Many programmes are followed by a cooling phase to ensure that the items are not too hot to handle when you remove them (this also reduces the risk of the laundry self-igniting). Make sure that you do not remove the laundry until the programme has finished.

Warning and Safety instructions

- ▶ Fabric softener and similar products must be used according to the instructions on the manufacturer's packaging.
- ▶ Do not store or use petrol, kerosene, paraffin or other flammable substances near the dryer. Risk of fire and explosion!
- ▶ Do not expose the dryer to air which contains chlorine, fluorine or other solvent vapours. This contaminated air can cause a fire.
- ▶ For appliance parts made from stainless steel:
Avoid contact between stainless steel surfaces and liquid detergents or disinfecting agents containing chlorine or sodium hypochlorite. These agents can cause corrosion on stainless steel. Aggressive chlorine bleach vapours can also be corrosive. Do not store open containers of these agents near the appliance.


Using a fragrance flacon (optional accessory)

- ▶ Only ever use original Miele fragrance flacons.
- ▶ The fragrance flacon must be stored in its packaging so please make sure you retain this.
- ▶ Make sure that you always keep the fragrance flacon, or the fluff filter with the flacon inserted in it, in a horizontal position when carrying it, and do not tip or place it down on any surface. The fragrance can leak.
- ▶ Use an absorbent cloth immediately to wipe up any fragrance which has run out of the flacon onto the floor, the dryer or any dryer components (e.g. the fluff filter).
- ▶ If fragrance which has run out of a flacon should come in contact with the **skin** - wash the skin thoroughly with soap and water; come in contact with the **eyes** - rinse the eyes with clean water for at least 15 minutes; be swallowed - rinse out the **mouth** thoroughly with clean water. Seek medical advice in the case of contact with the eyes or if fragrance has been swallowed.
- ▶ If fragrance which has run out of a flacon comes in contact with clothing, change the clothing immediately. Wash the clothing or any cloths used for mopping up fragrance thoroughly with plenty of water and detergent.
- ▶ There is the risk of fire or damage to the tumble dryer if the following instructions are not observed:
 - Never refill a flacon with fragrance.
 - Never use a faulty fragrance flacon.
- ▶ Dispose of an empty fragrance flacon with the household waste and never use it for any other purpose.
- ▶ Please also observe the information supplied with the fragrance flacon.

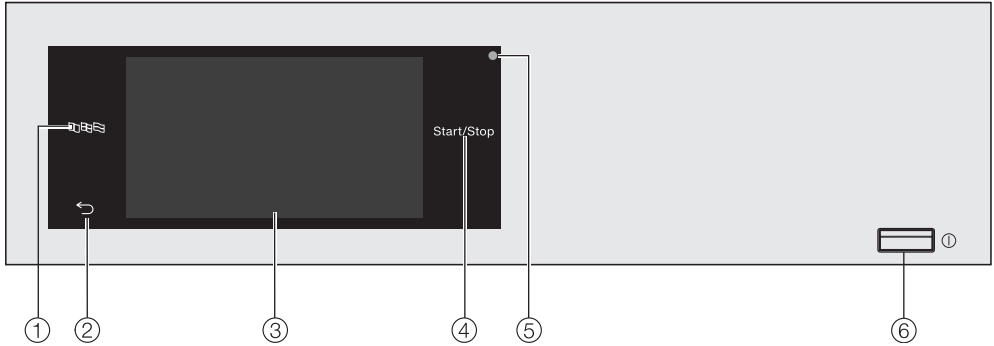
Warning and Safety instructions

Accessories

- ▶ Only use genuine Miele spare parts and accessories with this machine.
If spare parts or accessories from other manufacturers are used, any warranty, performance and product liability claims will be invalidated.
- ▶ Miele tumble dryers and Miele washing machines can be installed as a washer-dryer stack. This requires a Miele washer-dryer stacking kit which can be purchased separately. Please ensure that the washer-dryer stacking kit is suitable for your Miele tumble dryer and your Miele washing machine.
- ▶ If you order a plinth for this tumble dryer (available from Miele as an optional accessory), make sure it is the correct one.

 Miele cannot be held liable for damage caused by non-compliance with these Warning and Safety instructions.



Control panel



- ① **Language sensor**
For selecting the current user language.
The supervisor language is displayed again at the end of the programme.
- ② **Back sensor** ←
Takes you back one level in the menu.
- ③ **Touch display**
- ④ **Start/Stop sensor**
For starting the selected drying programme and cancelling a programme that has already started.
The programme selected can be started as soon as the sensor starts flashing.
- ⑤ **Optical interface**
For service technicians.
- ⑥ **Button** ①
For switching the tumble dryer on and off. The tumble dryer switches off automatically to save energy. This occurs 15 minutes after the end of the programme/anti-crease phase, or after being switched on if no further selection is made.

Operating the tumble dryer

Sensors and touch display with sensor controls


The ,  and *Start/Stop* sensors and the sensor controls in the display react to finger contact. Every touch of the sensors is confirmed by a keypad tone. You can adjust the volume of the keypad tone or switch it off (see “Supervisor level”).

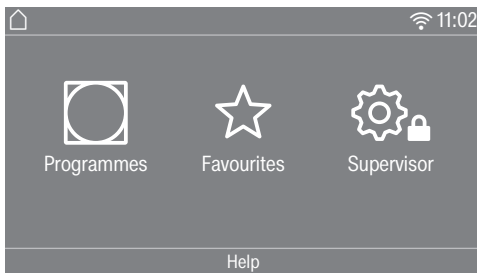
The control panel with the sensor and the touch display can be scratched by pointed or sharp objects, e.g. pens.
Only touch the display with your fingers.

Main menu

After switching on the tumble dryer, the main menu will appear in the display.

You can access all important submenus from the main menu.

Touch the  sensor at any time to return to the main menu. Values that have not yet been confirmed with the OK sensor are not saved when you return to the main menu.



Programmes

For selecting drying programmes.


Favourites

For selecting one of 12 favourite drying programmes which can be set up and saved by the operator (see “Supervisor level - Favourite programmes”).

Supervisor

You can alter the tumble dryer's electronics to suit changing requirements in the Supervisor level (see “Supervisor level”).

Networking

If the tumble dryer is networked, the  symbol indicates the signal strength of the network (SSID) to which it is connected. Touch the symbol to display the name of the network.

Help

You can display help to assist you with the operation of the tumble dryer.

Examples on how to operate the appliance

Selection lists

Programme menu (single selection list)



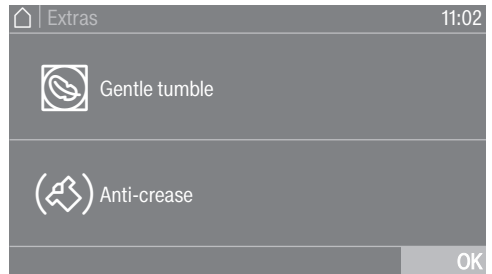
You can scroll to the right or the left by swiping your finger across the screen. To do this, place your finger on the touch display and swipe it in the direction you want.

The orange bar under the pictures shows that there are further options to choose from.

Touch a programme name to select the drying programme.

The display will change to the standard display for that programme.

Extras menu (multiple selection)



Touch one or several *Extras* to select them.

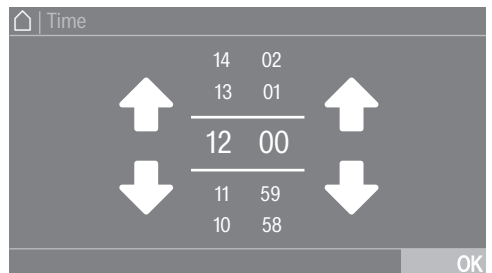
Currently selected *Extras* are marked orange.

To deselect an *Extra*, simply touch the *Extra* again.

Use the OK sensor to activate the selected *Extras*.

Setting numerical values

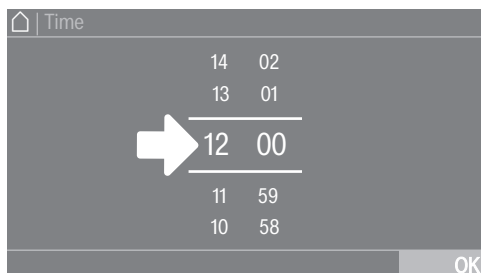
You can set numerical values in some menus.



Enter the numbers by swiping upwards or downwards. Place your finger on the number that you want to change and move your finger in the desired direction. Use the OK sensor to accept the set numerical value.

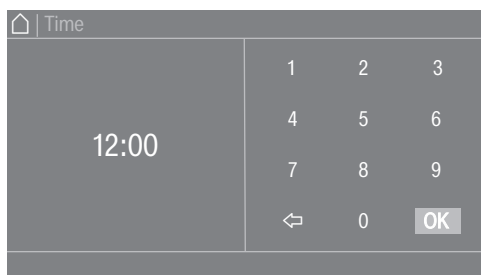
Operating the tumble dryer

Useful tip: For some settings, depending on the value range and increments, the value can also be set using a numerical keypad. Briefly touching the numbers will bring up the numerical keypad. Once a valid number has been entered, the OK sensor will be highlighted green.



- Briefly touch a number between the two lines.

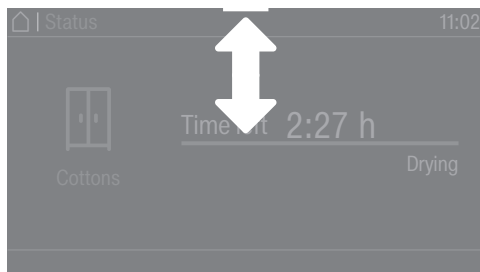
The numerical keypad will appear.



- Touch the numbers and confirm with OK.

Pull-down menu

The pull-down menu can be used to display information, e.g. about a drying programme.



If an orange bar appears at the top of the screen in the middle of the display, you can open the pull-down menu. Touch the bar and drag it down with your finger on the display.

Exiting a menu

- Touch the ↶ sensor to return to the previous screen.

Entries made before this which have not been confirmed with OK will not be saved.

Help display

With some menus Help appears in the bottom line of the display.

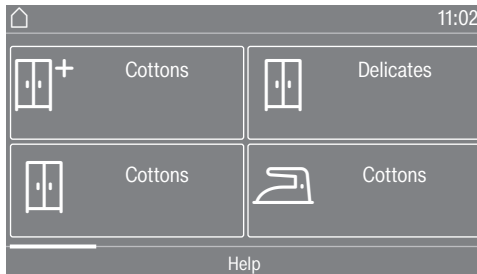
- Touch the Help sensor to display the text.
- Touch the Close sensor to return to the previous screen.

Operating the laundrette version

The entry menu will vary depending on the programming status (see “Supervisor level - Controls”).

Shortcuts are the easiest way to operate the machine. Operators cannot change the preset programmes.

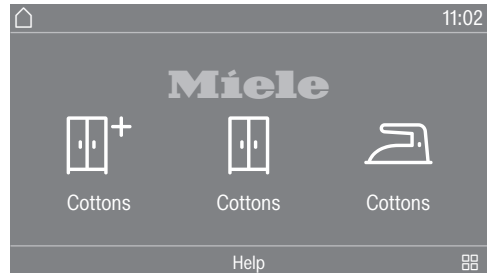
Launderette, basic




A maximum of 12 and a minimum of 4 programmes can be selected.

Depending on the setting at Supervisor level, the programmes can be displayed with or without a border.







Launderette Logo



The first 3 programmes can be selected directly. Up to 9 more programmes can be selected from the list .

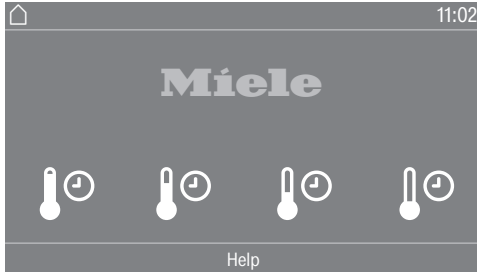
Symbols in the display

Drying levels

-  Extra dry
-  Normal plus
-  Normal
-  Hand iron plus
-  Hand iron
-  Machine iron

Operating the tumble dryer

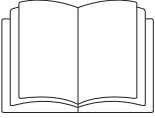
Laundrette Logo int. time / Laundrette Logo ext. time



4 timed programmes with different temperature levels are available for selection.

- 🌡️🕒 Temperature level cold
- 🌡️🕒 Temperature level low
- 🌡️🕒 Temperature level medium
- 🌡️🕒 Temperature level high

Laundrette Logo ext. time: the tumble dryer only functions correctly when it is provided with external time information by an external unit.



⚠ Risk of injury or damage to property due to improper installation. Improper installation of the tumble dryer may result in personal injury or damage to property.

Before using the tumble dryer for the first time, make sure it has been installed and connected correctly. Please observe the instructions in “Installation”.

⚠ Damage caused by switching the appliance on too soon.

This can damage the heat pump. After setting up the tumble dryer, wait for at least one hour before switching it on.

Follow all the steps required for initial commissioning. During the commissioning process, you will need to define the settings for daily use of the tumble dryer. Some of the settings can only be configured during the initial commissioning process. After that, they must be changed by Miele Professional Service.

These settings are also described in “Supervisor level”.

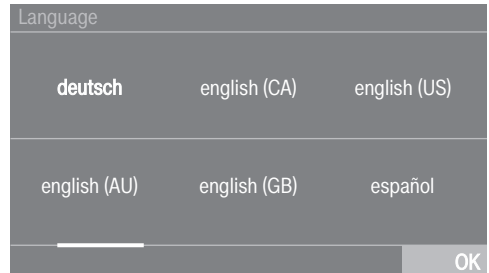
Switching on the tumble dryer

- Press the **⏻** button.

The welcome screen will light up.

Setting the display language

You will be asked to select the language for the display. You can change the language at any time (see “Supervisor level - Language”).



- Scroll to the left or the right until the language you want appears.
- Touch the sensor for the required language.

The selected language will be highlighted in orange and the display will change to the next setting.

Using for the first time

Reference to external appliances

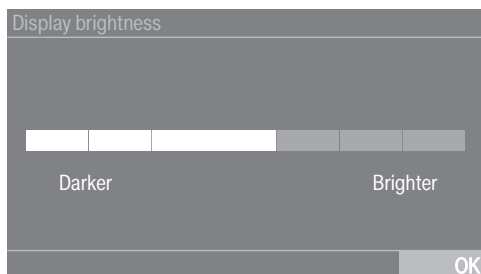
A reference to external hardware appears.

- Confirm with the OK sensor.

Connect the XCI box or XCI-AD accessory unit before using the appliance for the first time. Alternatively, slide a communication module into the slot on the back of the tumble dryer. The dryer must be disconnected from the power supply for this process. Then start the commissioning process.

Setting the display brightness

You will be asked to set the brightness of the display.



- Touch the segment bar until you reach the required level of brightness.

The selected brightness level will be highlighted in orange.

- Confirm with OK.

The display will change to the next setting.

Setting the date

Date		
21	May	2023
22	June	2022
23	July	2021
24	August	2020
25	September	2019

OK

- Place your finger on the number to be changed and move your finger in the desired direction.
- When all values have been set, confirm with the OK sensor.

The display will change to the next setting.

Confirming the time query

The following query will appear in the display:

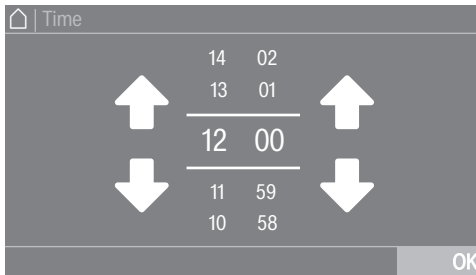
Should the clock display not be shown?

- Touch the Yes or No sensor.

If you select Yes, the system will skip the Time setting.

If you select No, the display will switch to the Time setting.

Setting the time of day



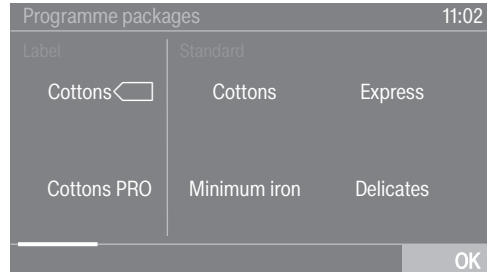
- Place your finger on the number that you want to change and move your finger in the desired direction.
- Confirm with the OK sensor.

The display will change to the next setting.

Selecting programme packages

You can select various programmes from the programme packages.

Any programmes already active are marked in orange.



- Scroll right until you reach a programme that is not marked in orange.
- Touch the sensor for the desired programme.

The selected programme is highlighted in orange, which means active.

- You can select further programmes.

Useful tip: You can deactivate a selected programme by touching the programme's sensor again.

Exception: The programmes

Cottons  and Cottons Pro cannot be deactivated.

- If you do not want to select any more programmes, confirm with the OK sensor.

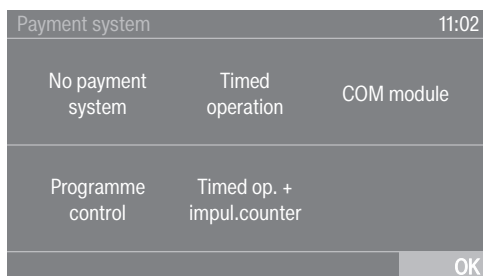
The display will switch to the next setting.

Using for the first time

Setting up a payment system

If you wish to set up a payment system, read the chapter “Supervisor level - Payment system”. These settings can only be changed during the initial commissioning process. If you wish to change the settings later, please contact Miele Professional Service.

If you do not wish to set up a payment system, you can skip this step.




- Touch the **No payment system** sensor.


The display will change to the next setting.

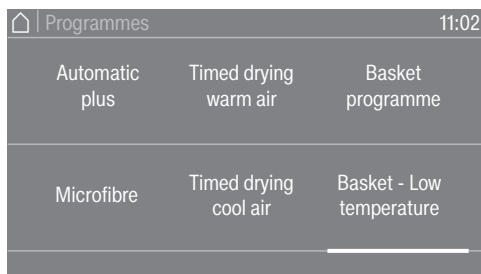
Completing the commissioning process

The commissioning process is complete when a programme lasting longer than 20 minutes has been carried out in full.

If the power is interrupted prior to the start of the first drying programme (e.g. if the machine is switched off with the  button), the initial commissioning process can be completed again. Once a drying programme has been running for over 20 minutes, the initial commissioning process cannot be performed again.

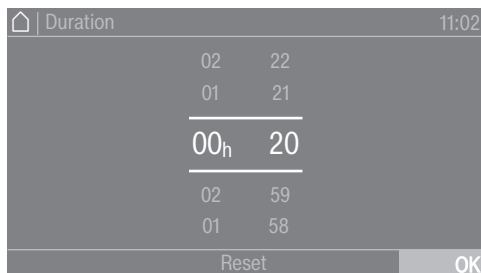
- Confirm with **OK**.

- Touch the  **Programmes** sensor in the main menu.



- Select the *Timed drying cool air* programme.

- Touch the *Duration* sensor.



- Place your finger on the number that you want to change and move your finger in the desired direction.

- Select a duration of 20 minutes.

- Confirm with **OK**.

- Touch the flashing *Start/Stop* sensor.


After the programme has finished, the tumble dryer is ready for use.

1. Notes on correct laundry care

Washing


- Wash heavily soiled laundry thoroughly. Ensure that you use sufficient detergent and select a high temperature. If in doubt, wash the items several times.
- New, coloured items should be washed thoroughly and separately. Do not dry these garments together with light coloured garments. There is the risk of colours running and discolouring other garments or even plastic components in the tumble dryer. Dark coloured fluff can also settle on light coloured garments and vice versa.

Drying

 Damage due to foreign objects which were not removed from the laundry.

Foreign objects can melt, burn, or explode.

Ensure that any foreign objects (e.g. detergent dispensing balls, lighters, etc.) have been removed from the laundry.

 Risk of fire due to incorrect use and operation.








The laundry can burn and destroy the dryer and the surroundings.

See “Warning and Safety instructions” for further information.

- Check seams and stitching to ensure that padding and linings are intact. This way you can prevent fillings from falling out, which could create a fire hazard.

- Sew in or remove loosened underwiring from bras.

Care label symbols

Drying	
	normal/higher temperature*
	reduced temperature*
* In this tumble dryer, items with these symbols can be dried together thanks to the gentle drying process.	
	Do not tumble dry
Ironing	
	very hot
	hot
	warm
	Do not iron

2. Loading the tumble dryer

Loading the laundry

Textiles may be damaged.
Before loading the dryer, read "1. Notes on correct laundry care".



- Open the door.
- Load the laundry.

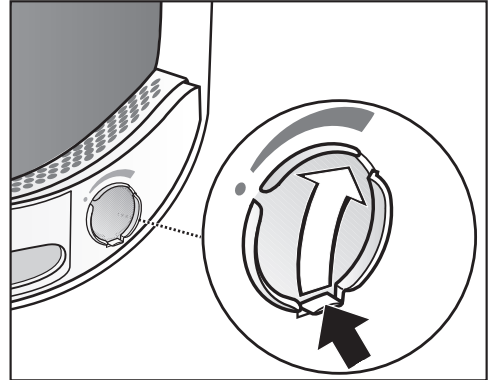
Textiles may be damaged.
When closing the door, make sure that laundry does not get trapped in the door opening.

Do not overload the drum.
Overloading can cause unnecessary wear and tear to the laundry and give a disappointing drying result. It can also cause more creasing.

Checking the socket for the fragrance flacon

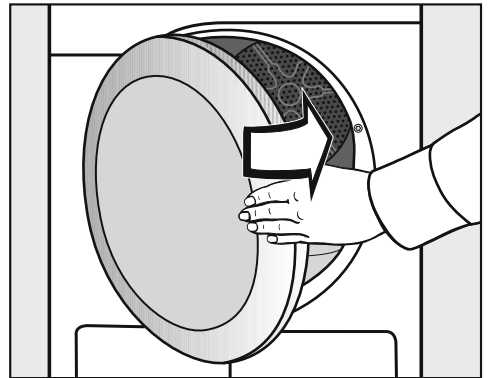
If you are not using a fragrance flacon, check that the socket is closed.

See "Fragrance flacon" for information on how to use fragrance flacons.



- Push the tab down completely (see arrow) so that the socket is closed. Otherwise, fluff will accumulate here.

Closing the door



- Shut the door with a gentle swing.

3. Selecting a programme

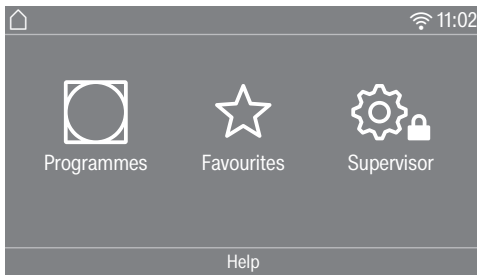
Switching on the tumble dryer

- Press the ⏸ button.

The interior drum lighting will come on.

The interior drum lighting will automatically go out after a few minutes and/or after the start of a programme to save energy.

Selecting a programme



There are different ways to select a programme.

- Touch the □ Programmes sensor.



- Scroll to the right of the display until the programme you want appears.
- Touch the sensor for that programme.

The display will change to the standard menu for that drying programme.

Alternatively you can select a programme via ☆ Favourites*.

* The preset programmes under Favourites cannot be changed.

- Touch the ☆ Favourites sensor.

The programmes will appear in the display. Symbols representing the preset parameters (drying level, Extras or times) are displayed underneath the names of the programmes.



- Scroll to the right of the display until the programme you want appears.
- Touch the sensor for that programme.

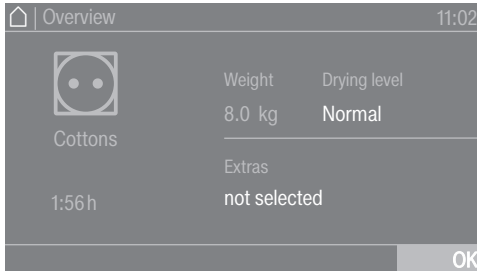
The display will change to the standard menu for that drying programme.

4. Selecting programme settings

Main menu for a programme

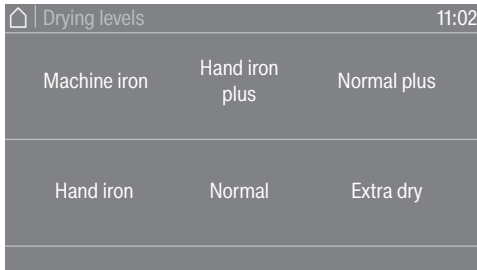
Selecting the drying level

The preset drying level can be changed for many programmes. Different drying levels are available depending on the programme.



- Touch the Drying level sensor.

The drying level selection menu opens.



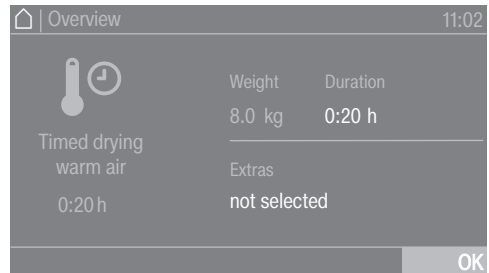
- Touch the sensor for the required drying level.

Selecting the duration (timed drying programmes)

You can select the programme duration yourself.*

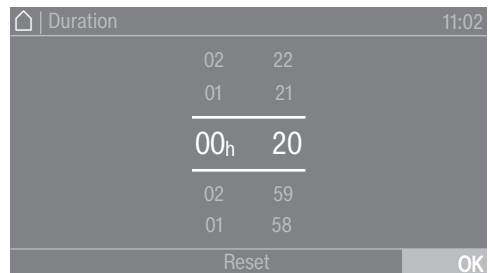
* The time frame for selecting the programme duration can be limited by Miele Professional Service.

- Timed drying warm air = 0:20-2:00 h
- Timed drying cool air = 0:10-2:00 h
- Basket programme/Basket -Low temperature = 0:20-1:30 h
- Time drying warm air hyg. = 0:50-2:00 h



- Touch the Duration sensor.

The selection menu for setting the duration opens.

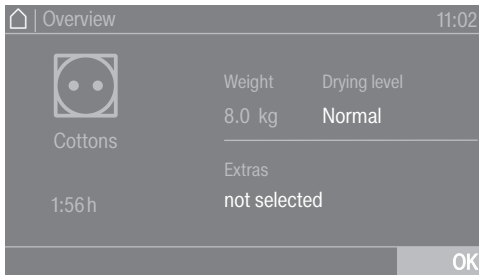


- Select a duration.
- Press OK when it is offered in the display.

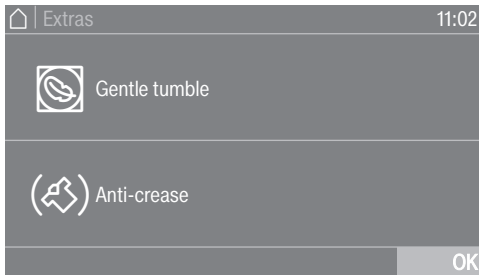
4. Selecting programme settings

Selecting Extras



The drying programmes can be supplemented with various Extras.



- Touch the Extras sensor.



- Touch the sensor for the Extra you want.
- Press OK when it is offered in the display.

The relevant symbol for the required Extra  or  will light up.

Not all Extras can be selected with every programme, only with those for which it makes sense.

Gentle tumble

Sensitive items are dried with less mechanical action (fewer drum rotations).

Anti-crease

After the programme has finished, the drum can be set to continue to rotate in a certain rhythm, depending on the selected programme. This helps to prevent creasing after the programme has ended.

The Anti-crease function is switched off at the factory. It can be switched on in the Supervisor level with a variable duration of up to 12 hours.

5. Starting a programme

Payment system

Useful tip: If your machine is connected to a payment system, the amount of payment required will appear in the display.

Do not open the door or cancel the programme once it has started. Depending on the settings, credit with the payment system may be lost if the programme is cancelled.

Starting a programme

The programme can be started once the *Start/Stop* sensor is flashing on and off.

■ Touch the *Start/Stop* sensor.

If a delay start time has been selected, this will count down in the display.

At the end of the delay start time or immediately after the programme has started, the programme duration will appear in the display. The programme sequence is also shown in the display.

Useful tip: You can use the pull-down menu to display the selected temperature, spin speed, and any selected Extras.

Programme duration/estimated time remaining

The programme duration depends on the quantity of laundry, the type of fabric and the residual moisture in the laundry, and also the water hardness. For this reason, the time left for the drying level programmes may vary or “jump”. The tumble dryer’s electronic control system adapts to these factors and then adjusts the displayed duration with increasing accuracy.

6. End of programme - unloading the drum

At the end of the programme

The laundry is cooled down shortly before the end of the programme. The laundry can then be removed.

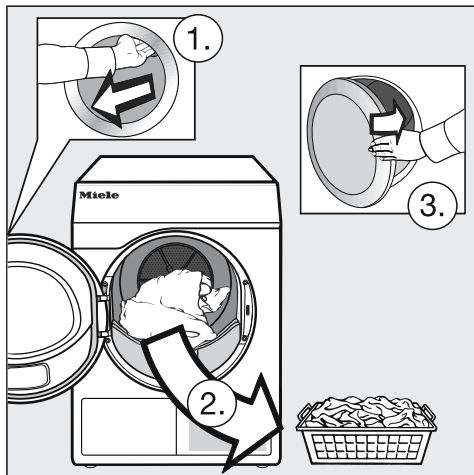
- Finish lights up.

If *Anti-crease* (🌀)* has been selected, the drum will rotate in intervals. This reduces creasing if the laundry cannot be removed straight away.

The anti-crease function is switched off at the factory.

The tumble dryer switches off automatically 15 minutes after the end of the programme.

Removing the laundry



- Open the door.
- Make sure that you empty the drum completely.

Items left in the dryer could be damaged by overdrying when the dryer is used the next time. Always remove all items from the drum.

- Switch the tumble dryer off.

Observing care instructions


This tumble dryer requires regular maintenance, particularly if it is used on a continuous basis.

Useful tip: See “Cleaning and care”. Read the section “Observing cleaning intervals” first.

Timer




Delay start must be activated in the Supervisor level so that the Timer can be selected.
The Timer can be used to select the time at which a programme starts or finishes.

Setting the Timer

- Touch the  Timer sensor.
- Select the Finish at, Start in or Start at option.
- Set the hours and the minutes and confirm your entry with the OK sensor.




Changing the Timer

The selected delay start time can be changed before the programme starts.

- Touch the ,  or  sensor.
- Change the time set and confirm with the OK sensor.

Deleting the Timer

The selected delay start time can be cancelled before the programme starts.

- Touch the ,  or  sensor.

The selected delay start time will appear in the display.

- Touch the Delete sensor.
- Confirm with the OK sensor.

The selected delay start time is deleted.

Starting the Timer

- Touch the *Start/Stop* sensor.

The door will lock and the time remaining until the programme starts will appear in the display.

After the programme has started, the selected time can only be changed or cancelled by interrupting the programme.


The programme can be started immediately at any time.

- Touch the Start immediately sensor.

Programme chart

All weights marked with * are based on the weight of dry laundry.

Label


Cottons 		Max. load 8 kg*
Items	Cotton items such as those described under <i>Cottons Normal</i> with normal residual moisture.	
Notes	This programme only dries to the <i>Normal</i> level.	
Cottons PRO		Max. load 8 kg*
Items	Cotton items such as those described under <i>Cottons Normal</i> with normal residual moisture.	
Notes	This programme only dries to the <i>Normal</i> level.	

Programme chart

Programme packages

You can select various programmes from the programme packages. The programmes will be displayed in the programme list.

Standard

Cottons		Max. load 8 kg*
Extra dry, Normal plus, Normal		
Items	<ul style="list-style-type: none">- Single and multi-layered cotton fabrics.- Towelling, bathrobes, T-shirts, underwear, jersey/terry bed linen, baby clothes.- Workwear, jackets, cotton blankets, aprons, tea towels, bed linen, towels, overalls, table linen.	
Notes	<ul style="list-style-type: none">- Select <i>Extra dry</i> for multi-layered and very thick fabrics.- Do not use <i>Extra dry</i> for jersey fabrics (e.g. T-shirts, underwear, baby clothes), as they have a tendency to shrink.	
Using the Cottons Normal programme is recommended for a mixed cotton load with normal residual moisture levels and is the programme used in energy consumption tests according to AS/NZS 2442.		
Hand iron plus, Hand iron, Machine iron		
Items	<ul style="list-style-type: none">- Cotton and linen fabrics.- Table linen, bed linen, or starched laundry.	
Notes	To prevent laundry from drying out, it should be rolled up until you are ready for ironing.	
Minimum iron		Max. load 4 kg*
Normal plus, Normal, Hand iron		
Items	<ul style="list-style-type: none">- Minimum iron items made of cotton, synthetic, or mixed fibre.- Workwear, overalls, pullovers, dresses, trousers, leggings and table linen.	
Notes	 is selected automatically.	

Programme chart

Express		Max. load 4 kg*
Extra dry, Normal plus, Normal, Hand iron plus, Hand iron, Machine iron		
Items	Hard-wearing textiles suitable for the <i>Cottons</i> programme.	
Notes	Shorter programme duration	
Delicates		Max. load 4 kg*
Normal plus, Normal, Hand iron plus		
Items	<ul style="list-style-type: none"> - Delicate items made of cotton, synthetic, or mixed fibre. - Lightweight pullovers, dresses, trousers, overalls, table cloths, shirts and blouses. - Lingerie and appliquéd fabrics. 	
Notes	Less creasing occurs in this programme.	
Notes	Reducing the load will further reduce creasing.	
Shirts		Max. load 2 kg*
Normal, Hand iron plus		
Items	Shirts and blouses.	
Denim		Max. load 3.5 kg*
Normal, Hand iron plus		
Items	Denim jackets, jeans, shirts, and skirts.	
Woollens		Max. load 2 kg*
Items	Woollen garments and textiles containing wool blends, e.g. pullovers, cardigans, stockings.	
Notes	<ul style="list-style-type: none"> - Wool and wool blend items are only fluffed up; they are not dried completely. - Remove items as soon as the programme has finished and leave to finish drying at room temperature. 	

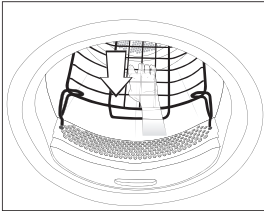
Programme chart

Silks		Max. load 1 kg*
Items	Silk garments which are suitable for drying in a tumble dryer, e.g. blouses and shirts.	
Notes	<ul style="list-style-type: none"> - Programme for reduced creasing. - Items are not dried completely. - Remove garments as soon as the programme has finished. 	
Towelling		Max. load 8 kg*
Items	Large quantities of single-layered and multi-layered towelling items. These include towels, bath robes, face washers, terry bed linen.	
Notes	This programme only dries to the <i>Normal plus</i> level.	
Gentle smoothing		Max. load 1 kg*
Normal, Hand iron plus		
Items	<ul style="list-style-type: none"> - Cotton and linen fabrics - Minimum iron items made of cotton, synthetic or mixed fibre, e.g. trousers, jackets, shirts. 	
Notes	<ul style="list-style-type: none"> - This programme smooths out creasing caused during the spin cycle in the washing machine. - Items are not dried completely. Remove items as soon as the programme has finished and leave to finish drying at room temperature. - Also suitable for dry laundry that is smoothed in a fixed time interval. 	
Automatic plus		Max. load 5 kg*
Normal plus, Normal, Hand iron plus		
Items	Mixed loads of garments suitable for the <i>Cottons</i> and <i>Minimum iron</i> programmes.	
Microfibre		Max. load 7 kg*
Normal plus, Normal		
Items	Microfibre mops and cleaning cloths.	

Programme chart

Timed drying warm air		Max. load 8 kg*
Items	<ul style="list-style-type: none">- Jackets, sleeping bags, pillows and other down-filled items.- Fabrics made up of multiple layers, e.g. heavy cotton table cloths.- Individual items of laundry, e.g. towels, swimwear, tea towels.	
Notes	<ul style="list-style-type: none">- For finishing drying multi-layered or voluminous items that dry unevenly due to their composition.- For drying a small number of individual garments.- Do not select the longest drying time to start with. Check the items as you are drying them to find the optimal time.	
Timed drying cool air		Max. load 8 kg*
Items	Items which only need airing.	

Programme chart

Basket programme		Max. load for basket 3.5 kg
Basket - Low temperature		Max. load for basket 3.5 kg
Textiles/ items	<ul style="list-style-type: none">- It is essential to observe the information for the drying basket in the operating instructions.- Use this programme to dry or air items which are suitable for drying in a tumble dryer but which are not suitable for drying using mechanical action.	
Notes	<ul style="list-style-type: none">- This programme may only be used with the Miele drying basket (optional accessory) fitted.- Select <i>Basket - Low temperature</i> for temperature-sensitive items.- The dryer drum does not rotate.- A satisfactory drying result cannot be achieved without the drying basket.- It is essential to observe the operating instructions for the drying basket. 	

Sport

Sportswear		Max. load 3 kg*
Items	Sportswear which is suitable for drying in a tumble dryer.	
Notes	This programme only dries to the <i>Normal</i> level.	
Outerwear		Max. load 2.5 kg*
Normal, Hand iron plus		
Items	Outerwear which is suitable for drying in a tumble dryer.	
Proofing		Max. load 2.5 kg*
Items	Microfibre fabric, ski wear, outerwear, fine close weave cotton garments (poplin), or tablecloths which are suitable for drying in a tumble dryer and have been treated to provide a water and dirt-resistant finish.	
Notes	<ul style="list-style-type: none"> - This programme includes a proofing fixing phase. - Only use proofing agents which are stated by the manufacturer as being “suitable for use on membrane textiles”. These agents contain fluorochemical compounds. - Do not dry items which have been treated with proofing agents containing paraffin. This substance is a fire hazard. - This programme only dries to the <i>Normal</i> level. 	
Reactivation		Max. load 2.5 kg*
Items	Outerwear which is suitable for drying in a tumble dryer.	
Notes	<ul style="list-style-type: none"> - The drying process revitalises the fibres, which improves water-repelling properties. - This programme only dries to the <i>Normal</i> level. 	

Programme chart

Soft furnishings

Down bedding		Max. load 2 kg*
Items	Bedding suitable for tumble drying (duvets or pillows filled with down or feathers).	
Notes	This programme only dries to the <i>Normal</i> level.	
Notes	Feathers are a natural product and may develop odours when exposed to heat. Allow bedding to air outside the dryer after drying.	
Synthetic bedding		Max. load 2 kg*
Items	Bedding suitable for tumble drying (duvets or pillows filled with synthetic fillings).	
Notes	This programme only dries to the <i>Normal</i> level.	
Large items		Max. load 4 kg*
Normal plus, Normal, Hand iron, Machine iron		
Items	Hard-wearing, large textiles suitable for the <i>Cottons</i> programme. These include day blankets, multi-layered covers, large voluminous items.	

Hygiene

In the hygiene programmes, items will be dried with a temperature that is constant over an extended period (longer temperature holding time). This temperature holding time kills off micro-organisms such as germs or dust mites and reduces allergens in the laundry.

If a hygiene programme is cancelled early, micro-organisms will not be killed. Do not interrupt the programme.

Cottons hygiene		Max. load 4 kg*
Items	Cotton or linen items that come into direct contact with the skin. These include underwear, baby clothes, bed linen, towels, bathrobes, spa towels and face washers.	
Notes	This programme only dries to the <i>Normal</i> level.	
Minimum iron hygiene		Max. load 4 kg*
Items	<ul style="list-style-type: none"> - Minimum iron items made of cotton, synthetic, or mixed fibre. - Workwear, overalls, pullovers, dresses, trousers, leggings and table linen. 	
Notes	This programme only dries to the <i>Normal</i> level.	
Timed drying hygiene		Max. load 4 kg*
Items	<ul style="list-style-type: none"> - Jackets, sleeping bags, pillows and other voluminous items. - Fabrics made up of multiple layers, e.g. heavy cotton table cloths. - Individual items of laundry, e.g. towels, swimwear, tea towels. 	
Notes	<ul style="list-style-type: none"> - For finishing drying multi-layered or voluminous items that dry unevenly due to their composition. - For drying a small number of individual garments. - Do not select the longest drying time to start with. Check the items as you are drying them to find the optimal time. 	

Programme chart

WetCare

WetCare sensitive		Max. load 2.5 kg*
Items	For non-washable outer garments.	
Notes	The garments are briefly dried and fluffed up.	
WetCare Silks		Max. load 2.5 kg*
Normal, Hand iron plus, Hand iron		
Items	For non-washable outer silk garments which crease easily.	
WetCare intensive		Max. load 2.5 kg*
Normal, Hand iron, Hand iron plus, Machine iron		
Items	Washable outer garments.	

Flatwork

Cottons 40% residual moisture		Max. load 8 kg*
Cottons 25% residual moisture		Max. load 8 kg*
Minimum iron 20% residual moisture		Max. load 4 kg*
Items	<ul style="list-style-type: none"> - Hotel, residential care or hospital laundry that requires further processing (hand ironing, machine ironing, folding). - This includes cottons and minimum iron fabrics, such as bedding and table linen or towels. 	
Notes	<ul style="list-style-type: none"> - The residual moisture is absorbed by the fabric fibres, which makes them easier to smooth. - These programmes only dry to the <i>Machine iron</i> level. 	
Notes	<ul style="list-style-type: none"> - To prevent laundry from drying out, it should be rolled up until you are ready for ironing. - Shake the laundry before ironing. 	

Special programmes

You can put together 5 special programmes and assign your own programme names. Enter these into the tables.

Load: maximum 8 kg (weight of dry items)

Example

[Special programme 1] Dry+	
Res. moisture programme	
- Final residual moisture :	- 6 %
- Extra drying time :	30 min
- Temperature :	60 °C

(1)
-
-
-
-
-
-
-

(2)
-
-
-
-
-
-
-

(3)
-
-
-
-
-
-
-

(4)
-
-
-
-
-
-
-

(5)
-
-
-
-
-
-
-

Changing the programme sequence


Payment system

Opening the door or cancelling the programme after it has started may result in a loss of credit (depending on the settings*).

* Either during the commissioning process or subsequently by Miele Professional Service, a time period can be set during which a programme change is permitted.

Changing a programme after it has started

Programme selection is no longer possible (protection against unintentional changes). If you want to select a new programme, you must first cancel the running programme.

 Risk of fire due to incorrect use and operation.

The laundry can burn and destroy the dryer and the surroundings.

See “Warning and Safety instructions” for further information.

Cancelling a programme

- Touch the *Start/Stop* sensor.

You will be asked in the display whether you want to cancel the programme.


- Touch the *Yes* sensor.

Reselecting a cancelled programme

- Open and close the door.
- Select and start a new programme.


Adding or removing laundry

- Open the door.

 Risk of burning when touching hot laundry in the drum. You could burn yourself. Let the laundry cool down and remove it carefully.

- Add or remove laundry.
- Close the door.
- Start the programme.

Interruption to the power supply

If the power supply was interrupted because the tumble dryer was switched off with the  button:

- Switch the tumble dryer back on.
- Touch the *Start/Stop* sensor.

If the programme was interrupted by a power cut:


- When power is restored, you need to confirm with *OK*.
- Touch the *Start/Stop* sensor.

Remaining programme time

Altering the programme sequence can cause the programme duration shown in the display to “jump”.

Inserting a fragrance flacon

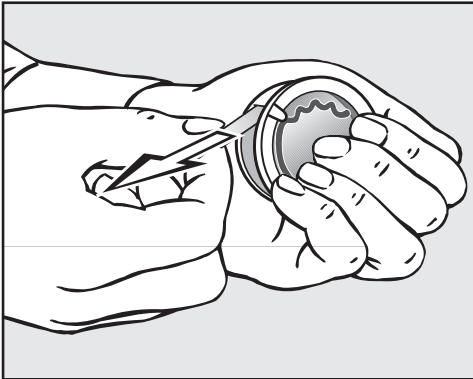
Fragrance flacons (optional accessories) can be used to give your laundry a pleasant scent.

 Risk of fire and harm to health if fragrance flacons are used incorrectly.

Leaked fragrance can be harmful to your health if it comes in contact with the body. Leaked fragrance can cause a fire.

Before using a fragrance flacon, please read the section “Using a fragrance flacon (optional accessory)” in the Warning and Safety instructions.

Only hold the fragrance flacon as illustrated. Do not hold it at an angle or tip it as the fragrance will leak out.

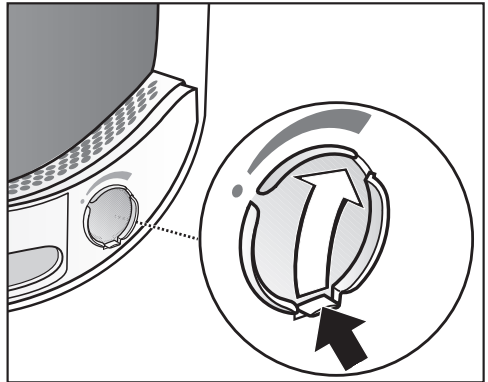


- Hold the fragrance flacon securely so that you do not open it by mistake.
- Pull off the protective seal.
- Open the door of the tumble dryer.

The fragrance flacon is inserted in the upper fluff filter. The socket is next to the recessed grip.

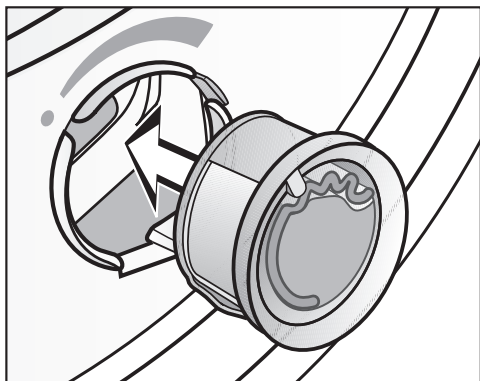
To prevent the accumulation of fluff, the cover of the unused socket must remain closed.

Push the tab of the cover all the way down (see arrow).

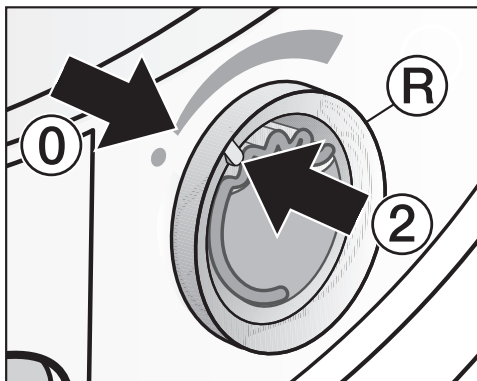


- Open the cover using the tab until the tab is right at the top as shown.

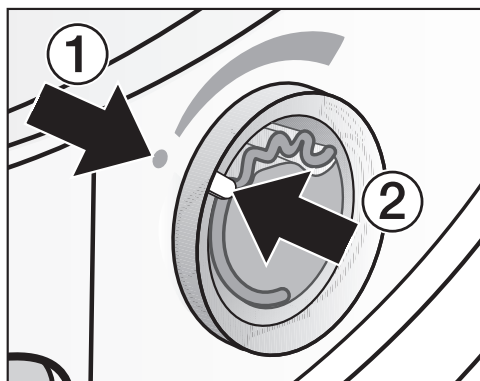
Fragrance flacon



- Insert the fragrance flacon in the opening as far as it will go.



- Turn the outer ring **®** clockwise a little.

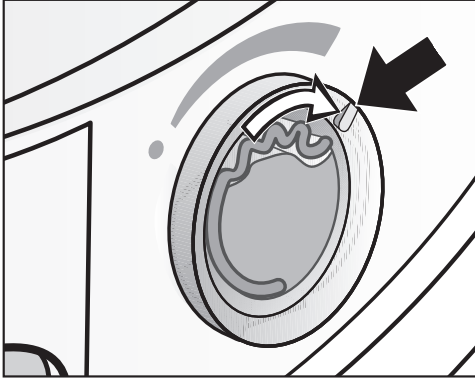


The fragrance flacon can slip out.
Turn the outer ring so that markers **②**
and **①** line up.

Markers **①** and **②** must line up with
each other.

Opening the fragrance flacon

Before drying, you can select the intensity of the fragrance.

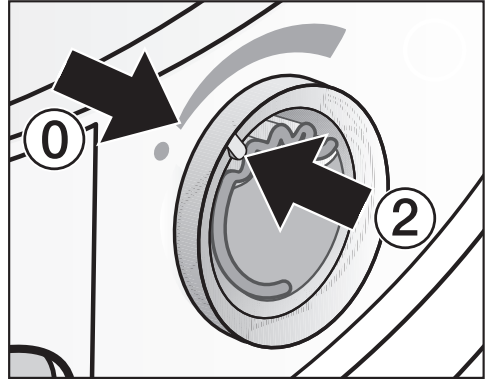


- Turn the outer ring clockwise: the further you open the fragrance flacon, the more intense the fragrance.

The fragrance is only released into the laundry effectively with damp laundry and longer drying times with sufficient heat transfer. The fragrance will also be noticeable in the room air during the drying process. Fragrance is generally not released in the *Timed drying cool air* programme.

Closing the fragrance flacon

After drying, the fragrance flacon should be closed to prevent the fragrance from escaping needlessly.



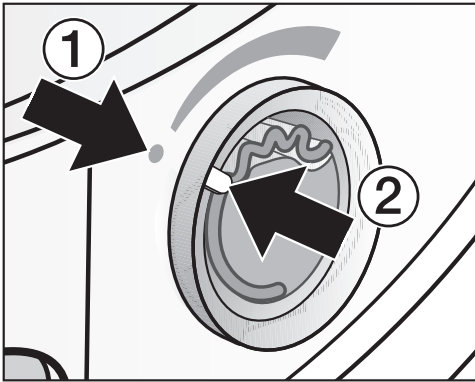
- Turn the outer ring anti-clockwise until marker ② is in position ①.

If you wish to dry without the fragrance flacon: Remove the fragrance flacon and store it in its original packaging.

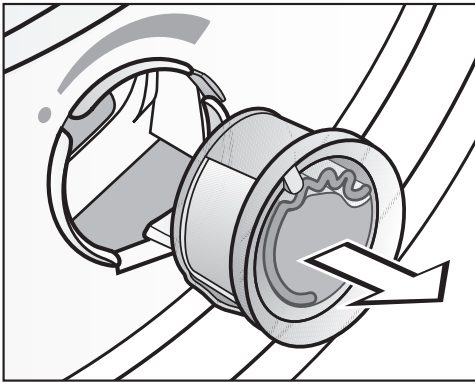
When the intensity of the fragrance is no longer sufficient, replace the fragrance flacon with a new one.

Fragrance flacon

Removing/replacing the fragrance flacon



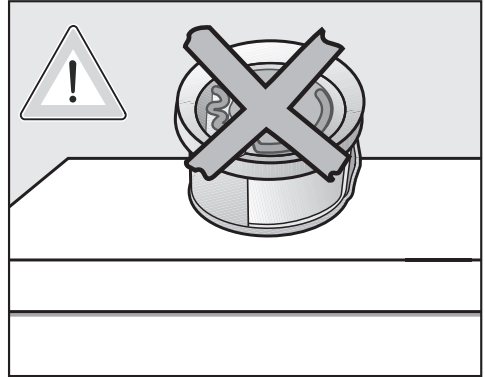
- Turn the outer ring anti-clockwise until markers ① and ② line up.



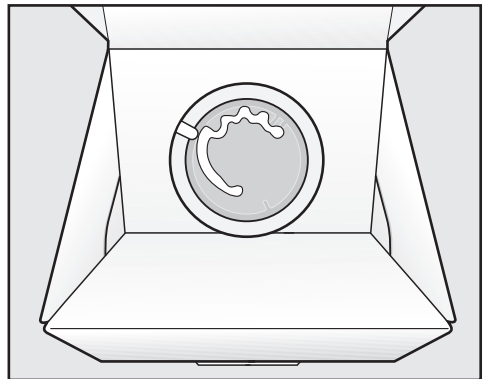
- Replace the fragrance flacon with a new one.

When not in use, you can store the fragrance flacon in its original packaging.

Fragrance flacons are available to order from Miele or via the Miele online shop (shop.miele.com).



Fragrance can leak. Do not lay the fragrance flacon down.



- If you are keeping the fragrance flacon in its original packaging, do not store the packaging upright on its edge or upside down. Otherwise, the fragrance will leak out.
- Always store in a cool, dry place away from direct sunlight.
- When purchasing new fragrance flacons, only remove the protective seal just before use.

Cleaning interval

This tumble dryer is equipped with a multi-stage filter system, which consists of fluff filters (1.) and a filter in the plinth (2.).

This filter system collects all fluff generated during the drying process.

Failure to clean the filters regularly could increase drying times.

⚠ Fire hazard due to irregular maintenance.

Too many fluff deposits in the filter system and tumble dryer pose a fire hazard.

Check the filter system and the air flow openings on a regular basis.

Clean the filters if you find any fluff deposits.

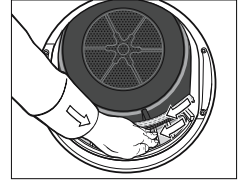
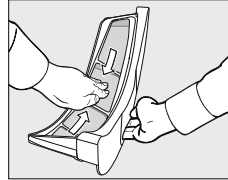
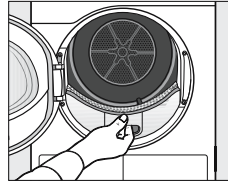
⚠ Damage caused by a missing or damaged filter system.

Too many fluff deposits in the filter system and tumble dryer will increase the risk of appliance malfunctions and cause a fire hazard.

Never use the tumble dryer without the filter system. Always replace a damaged filter system immediately.

1. Cleaning the fluff filters

The fluff filters are located in the drum loading area.



Always clean the appliance whenever prompted to do so in the display.

Various messages can be displayed:

Clean the fluff filter and rinse the plinth filter.

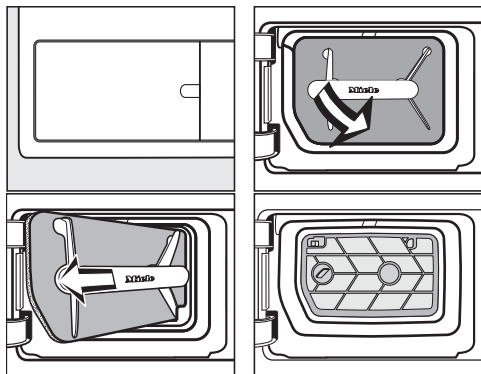
Rinse the fluff filter and plinth filter. Check the airways.

- To delete the message: touch the OK sensor.

Cleaning and care

2. Cleaning the plinth filter

The filter in the plinth is behind the fluff filter flap on the bottom left.



Normal use

Always clean the appliance whenever prompted to do so in the display.

Various messages can be displayed:

Clean the fluff filter and rinse the plinth filter.

Rinse the fluff filter and plinth filter. Check the airways.


Continuous operation

Clean once a day and also when the prompt appears in the display.

Cleaning the filter insert in the plinth

The filter insert is visible in the plinth after removing the fluff filter. Clean the filter insert as well.

- To delete the message: touch the OK sensor.

 Damage caused by insufficient cleaning or by operation with a worn, damaged filter in the plinth.

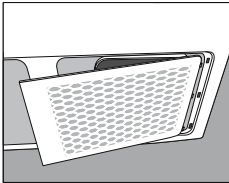
There is insufficient flow of air and heat exchange in the heat exchanger, as it is clogged. This requires a visit from Miele Professional Service.

This can be avoided by following the advice in these operating instructions.

3. Cleaning the bottom right grille/ heat exchanger for heat dissipation

Clean only when Open bottom right grille, clean the heat exchanger appears in the display.

The bottom right grille can be removed. It covers the heat exchanger for heat dissipation.



- Keep the room where the tumble dryer is located free from dust and fluff. Doing so will mean that you will rarely have to clean the grille.
- See "Cleaning the bottom right grille/ heat exchanger".
- Check and clean the filter (in the plinth) and the fluff filters.
- To delete the message: touch the OK sensor.

Cleaning and care

Cleaning the filters

This tumble dryer has 2 fluff filters in the drum loading area. The upper and lower fluff filters trap fluff produced during the drying process.

Removing the fragrance flacon

The intensity of the fragrance will be diminished if the fluff filters and the plinth filter are not cleaned.

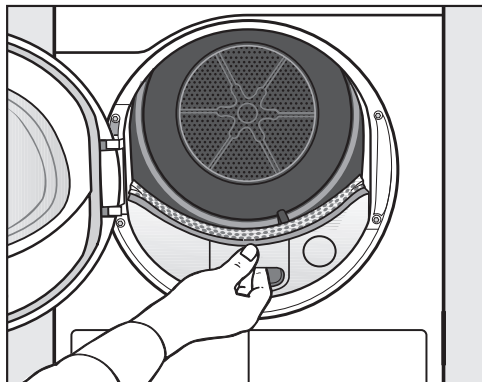
- Remove the fragrance flacon as described in “Removing/replacing the fragrance flacon” under “Fragrance flacons”.

Removing visible fluff

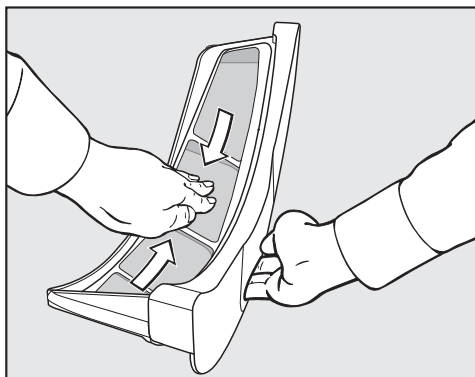
Remove any fluff after every drying cycle.

Useful tip: You can also use a vacuum cleaner so that you can remove the fluff without touching it.

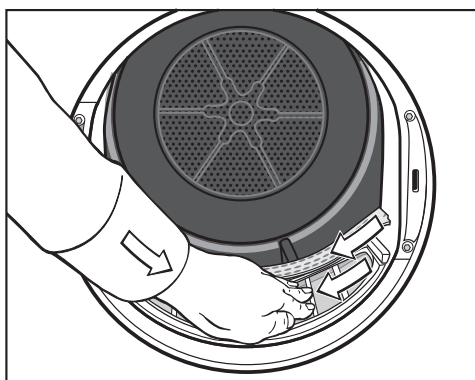
- Open the door.



- Pull the upper fluff filter forward to remove it.



- Remove the fluff (see arrows).



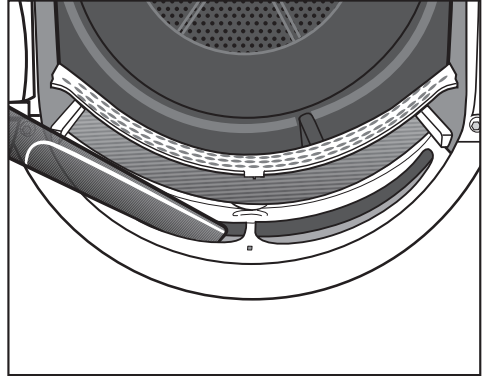
- Remove the fluff (see arrows) from the filter surface of all the fluff filters and the perforated laundry deflector.
- Push the upper fluff filter back in until it clicks into position.
- Close the door.

Cleaning the fluff filters and air flow openings thoroughly

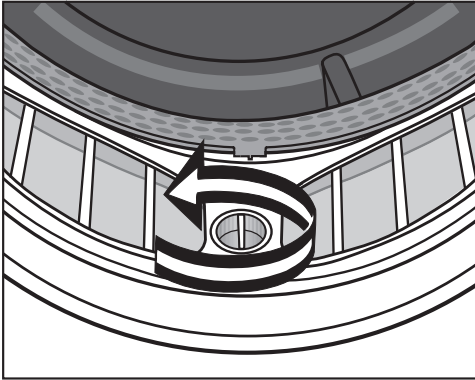
If the drying duration has become longer or the surface of the filters is visibly compacted with fluff, you should carry out the following cleaning procedure.

Cleaning the fluff filters dry

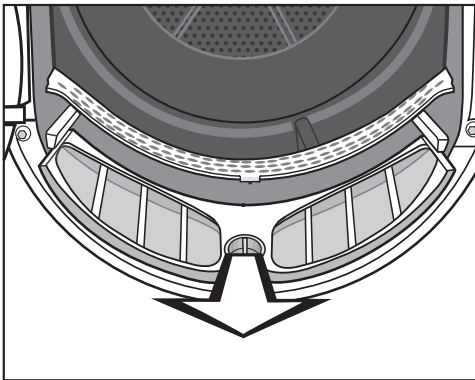
- Pull the upper fluff filter forward to remove it.



- Use a vacuum cleaner with a long crevice nozzle attached to remove any visible fluff from the upper air flow openings.



- Turn the yellow dial on the lower fluff filter in the direction of the arrow until you hear it click.



- Pull the fluff filter forward to remove it.

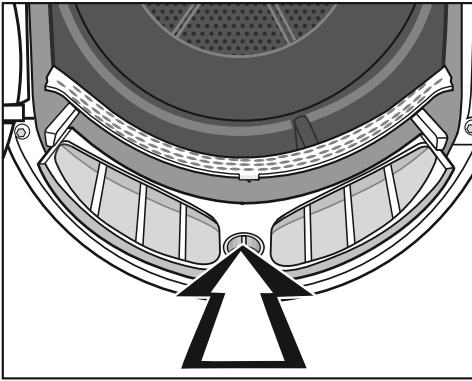
Cleaning and care

Cleaning the fluff filters with water

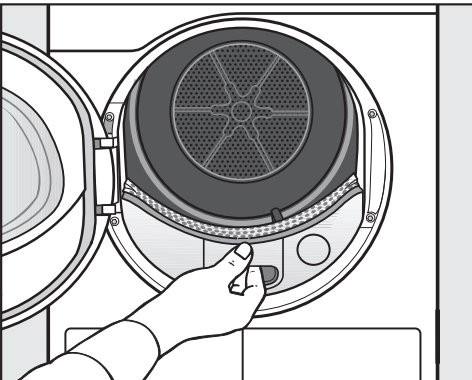
- Rinse the filters with warm running water.
- Wipe the smooth plastic surfaces of the fluff filters with a damp cloth to clean them.

- Push the upper fluff filter in completely.
- Close the door.

Ensure the filters are dry before replacing them. Damp or wet filters can cause operational faults. Shake the fluff filters thoroughly and then dry them carefully.



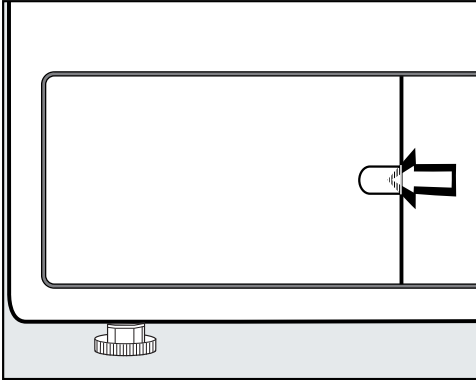
- Push the lower fluff filter in completely and lock it with the yellow dial.



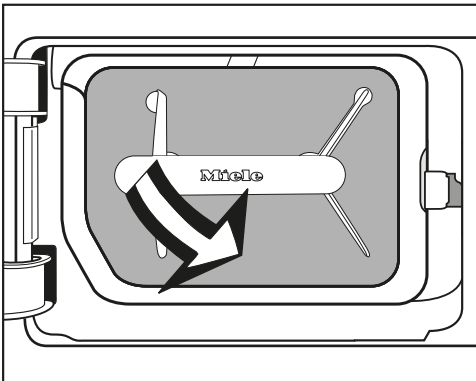
Cleaning the filter in the plinth

The fluff filter in the plinth collects finer fluff, hair and detergent residues that can penetrate the fluff filters.

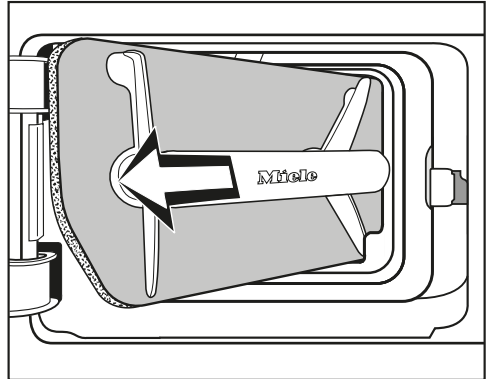
Removing the plinth filter



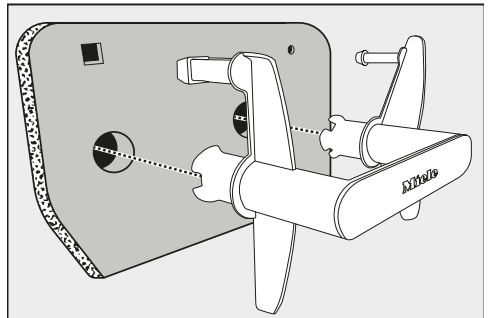
- Reach behind the catch with your finger.
- Open the fluff filter flap.



- ① Use the handle to pull out the plinth filter at an angle forwards and to the right.



- ② Pull the filter out at an angle.




- Pull the handle out of the filter.

Cleaning and care

Cleaning the plinth filter with water

- Clean the filter thoroughly under running water.
- Squeeze the filter very carefully several times as you rinse it.
- Rinse the filter until all visible residues have been removed.


 **Damage caused by an insufficiently cleaned or damaged fluff filter.**

If the filter has not been properly cleaned or is damaged, the heat exchanger will be clogged. There will be an insufficient flow of air and heat exchange in the heat exchanger. This requires a visit from a Miele service technician.

Before and after cleaning, check the plinth filter in accordance with the description in "Replacing the plinth filter". The plinth filter must be perfectly functional and undamaged after cleaning.

- Use a damp cloth to remove any fluff from the handle.

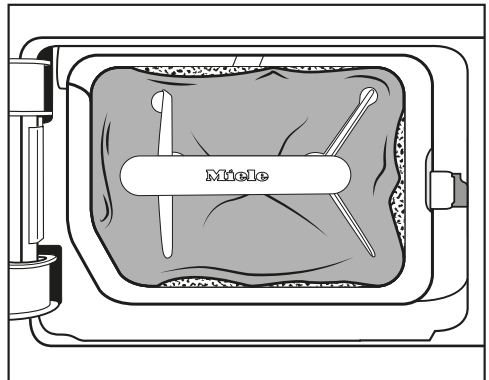
Replacing the plinth filter

 **Filter wear caused by continuous tumble dryer use.**

If the tumble dryer is in continuous use and is being cleaned frequently, the plinth filter can begin to show signs of wear after a while. This can clog up the heat exchanger.

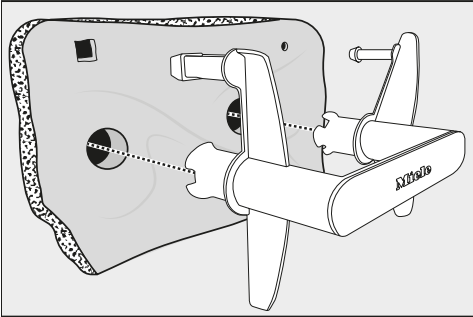
Replace the filter immediately (replacement filters are available as an optional accessory) if you see the following signs of wear before or after cleaning.

Poor fit



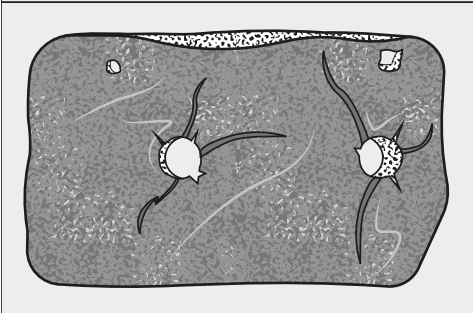
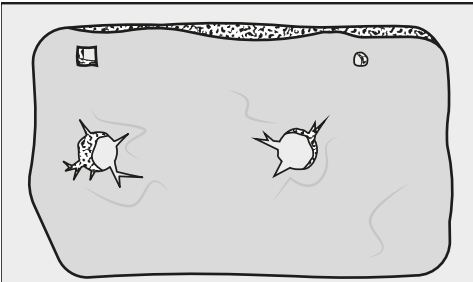
The edges of the filter do not sit properly and the filter is deformed. Fluff will blow into the heat exchanger unfiltered through edges that do not sit properly. This will cause a permanent obstruction in the heat exchanger.

Deformations



Deformations indicate that the filter has become blocked and worn by continuous use.

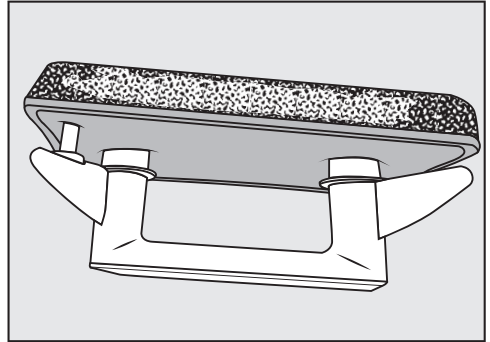
Cracks, tears, indentations



Fluff will blow into the heat exchanger unfiltered through cracks and tears and will cause obstruction.

Deformations indicate that the filter has become blocked and worn by continuous use.

White residues or residues of other colours



Residues arise from laundry fibres and residues of detergent components which can clog the filter. They can be found on the front and side edges of the filter. In extreme cases, they can form stubborn crusts.

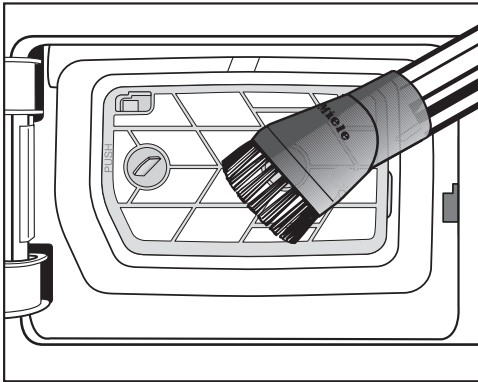
Residues are a sign that the filter no longer has a snug fit at the sides, even if it appears to be perfect – fluff is getting in unfiltered at the edges.

If these residues appear on the filter again soon after cleaning, it must be replaced.

Cleaning and care

Cleaning the filter insert (in the plinth)

The surface of the filter insert is visible after removing the fluff filter (in the plinth). This filter surface only needs to be cleaned if there is a visible accumulation of fluff.

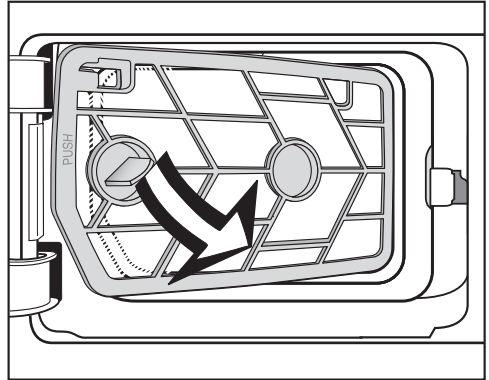


- Carefully vacuum up any visible fluff or dirt. Use a suction brush or a narrow crevice nozzle.

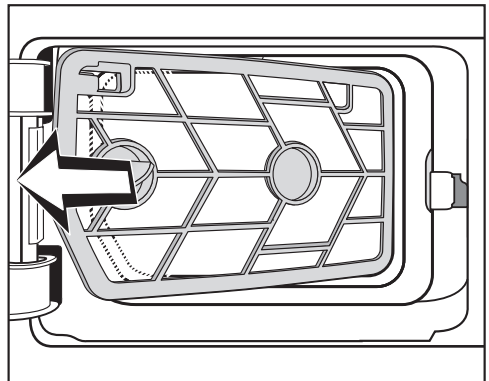
If there are visible blockages or other residues after cleaning: Remove the filter insert and clean it under running water. If stubborn residues are not removed, these can lead to faults over time.

Removing the filter insert

If the filter insert is clogged up and soiled, it must be removed and cleaned under running water.




- 1 Use the handle to pull out the fluff filter at an angle forwards and to the right.



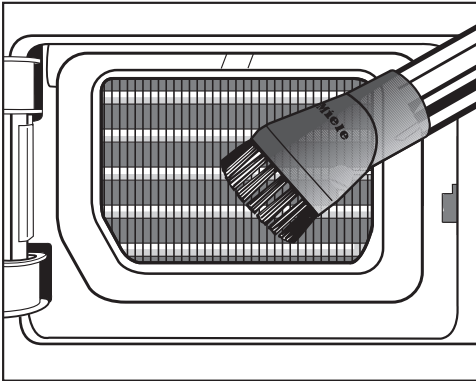
- 2 Pull the filter insert out at an angle.
- Rinse the filter surface of the insert under warm running water.

Ensure the fluff filter is dry before replacing it. Damp or wet filters can cause operational faults. Shake the filter insert thoroughly and then dry it carefully.


Checking the cooling fins on the heat exchanger

 Danger of injury caused by touching the cooling fins. You could cut yourself. Do not touch the cooling fins.

After removing the filter insert, you will see the cooling fins on the heat exchanger. Check them for any accumulation of fluff.

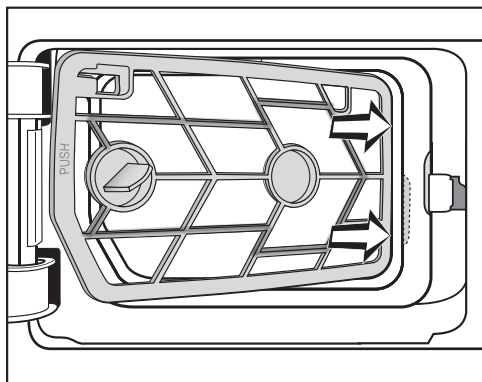


- If you notice any visible soiling, carefully vacuum it up with a vacuum cleaner. Use a suction brush or a narrow crevice nozzle.

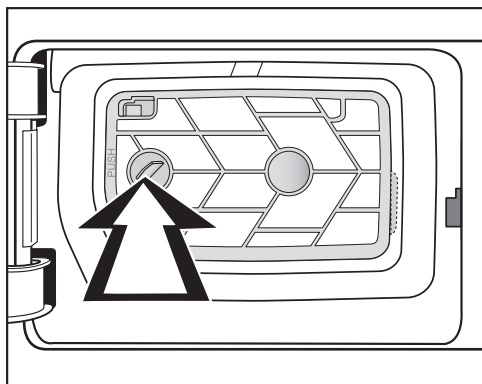
 Risk of damage if the cooling fins are cleaned incorrectly. The cooling fins can be damaged or distorted. This would impair the operational performance of the tumble dryer. Clean using a vacuum cleaner with a dusting brush attached. Only pass the vacuum cleaner dusting brush over the fins lightly, without applying any pressure.

Cleaning and care

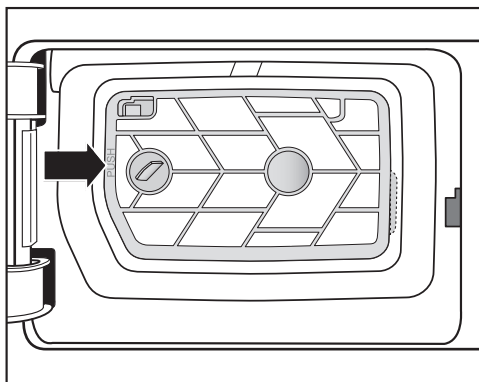
Refitting the filter insert in the plinth



- 1 Use the handle on the right to slide the filter insert at an angle behind the edge.

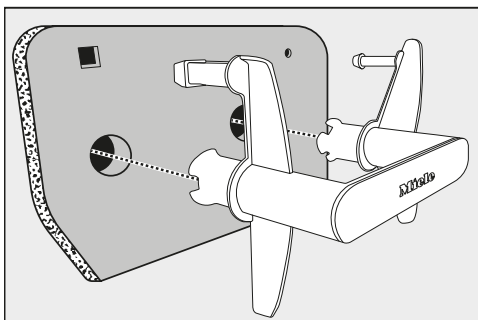


- 2 Then press the handle on the left side until the filter is secured in position.



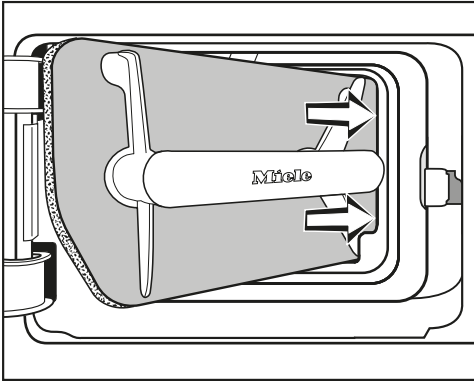
- 3 Press the frame of the filter insert in at the position marked PUSH until it clicks into position.

Refitting the fluff filter in the plinth

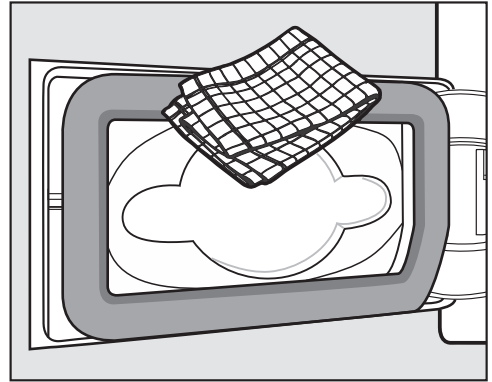


- Fit the filter back on the handle. Make sure it is the correct way round.

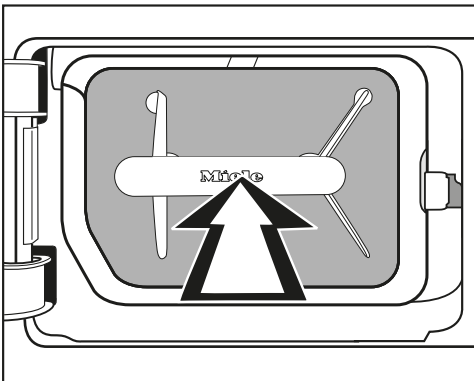
Cleaning and closing the fluff filter flap



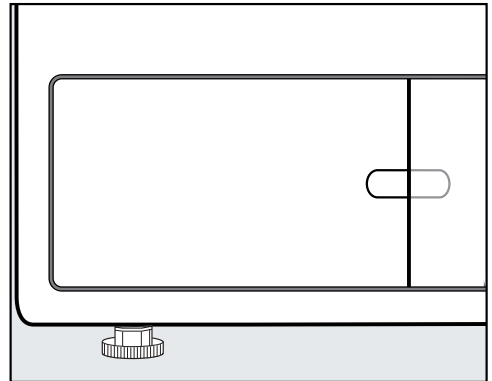
- 1 Use the handle to slide the filter insert on the right side at an angle behind the edge.



- Use a damp cloth to remove any fluff. Make sure that you do not damage the rubber seal when doing this.



- 2 Then press on the handle until the fluff filter is secured in position.



- Close the fluff filter flap.

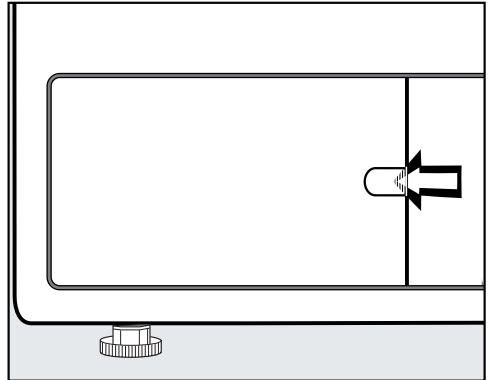
The plinth filter must be inserted and the fluff filter flap must be closed to ensure the system is correctly sealed and that the tumble dryer will function correctly.

Cleaning and care

Cleaning the bottom right grille/heat exchanger

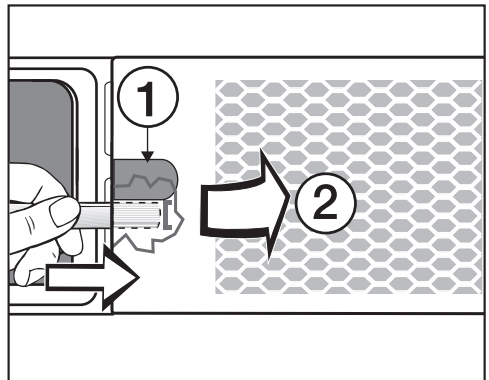
The cooling fins of the heat exchanger behind the grille can become blocked with dust and dirt drawn in from the surrounding area.

Removing the grille



- Open the fluff filter flap.


Open the bottom right grille, e.g. using a spoon handle.



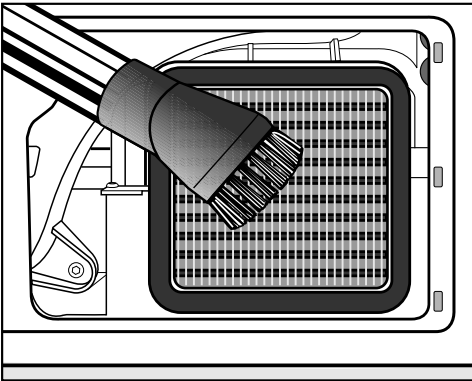
- Insert the spoon handle behind the grille (under the recess ①).
- Press and lever the grille gently until it opens on the left-hand side ②.
- Open the grille from left to right and pull it off forwards at an angle.

Cleaning the cooling fins


- Check whether the cooling fins are clogged.

 Danger of injury caused by touching the cooling fins. You could cut yourself. Do not touch the cooling fins.

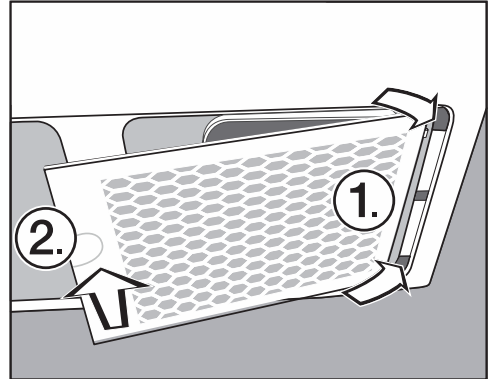
If there is visible soiling:



- Carefully vacuum up any visible fluff or dirt. Use a suction brush or a narrow crevice nozzle.

 Risk of damage if the cooling fins are cleaned incorrectly. The cooling fins can be damaged or distorted. This would impair the operational performance of the tumble dryer. Clean using a vacuum cleaner with a dusting brush attached. Only pass the vacuum cleaner dusting brush over the fins lightly, without applying any pressure.

Refitting the grille



- Insert the grille on the right side.
- Press the grille down firmly on the left side.

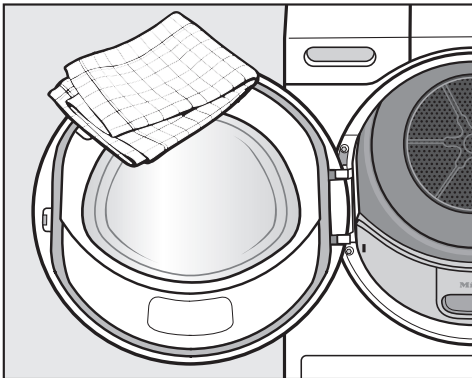
Cleaning and care

Cleaning the dryer

Disconnect the dryer from the electricity supply.

⚠ Damage due to the use of unsuitable care products. Unsuitable care products can damage plastic surfaces and other parts. Do not use solvents, abrasive cleaners, glass cleaners or all-purpose cleaners.

⚠ Risk of electric shock due to water. If water runs over or into the tumble dryer, there is a risk of electric shock. Never spray the tumble dryer with water. Only ever clean the appliance with a slightly damp, soft cloth.



- Clean the dryer and the seal on the inside of the door only with a slightly damp, soft cloth and mild detergent or soapy water.
- Dry all parts with a soft cloth.



- The drum and other stainless steel parts can be cleaned with a suitable stainless steel cleaner following the manufacturer's instructions.

Problem solving guide


With the help of the following guide, minor faults in the performance of the appliance, some of which may result from incorrect operation, can be remedied without contacting Miele. This will save you time and money because you won't need a service call.

Please note that a call-out charge will be applied to unnecessary service visits where the problem could have been rectified as described in these operating instructions.




Programme cancellation and fault messages in the display

Message	Possible cause and remedy
 The drum is empty or the laundry is too dry	In some programmes, if the drum has been underloaded or is empty, the programme will be cancelled. This can also happen if the items are already dry. This is not a fault or a malfunction. <ul style="list-style-type: none">■ Open the door and check the laundry.■ Add or remove laundry.■ Close the door.■ Start a drying programme. Use the <i>Warm air</i> programme to dry individual items.
 Obstruction detected. Untangle laundry and restart.	The laundry is unevenly distributed or has rolled up. <ul style="list-style-type: none">■ Open the door and loosen the laundry. Take out some of the laundry.■ Close the door.■ Start a drying programme.

Problem solving guide


Message	Possible cause and remedy
<p> Rinse the fluff filter and plinth filter. Check the airways.</p>	<p>You have attempted to dry only a few items of varying size. A smaller item has been sucked into the loading area in the door. It is clogging the holes in the laundry deflector.</p> <ul style="list-style-type: none">■ To delete the message: touch the OK sensor.■ Open the tumble dryer door.■ Remove the item that is blocking the holes.■ Always dry small, individual items together with larger items. <p>If you are able to exclude all this, the system has been clogged by fluff or detergent residue.</p> <p>The system is clogged by fluff or detergent residues.</p> <ul style="list-style-type: none">■ Clean all fluff filters and airways.■ Check whether the fluff filters in the drum loading area and plinth are free from damage and in good working order.■ If you have removed the plinth filter, also check the filter insert behind it. Clean the filter insert if necessary.■ If you have removed the filter insert, also check the heat exchanger behind it. Clean the heat exchanger if necessary. <p>Please see "Cleaning and care" for notes on cleaning. Fluff filters that are damaged, misshapen or can no longer be cleaned must be replaced with new ones.</p> <ul style="list-style-type: none">■ To delete the message: touch the OK sensor.

Problem solving guide

Message	Possible cause and remedy
 <p>Rinse the fluff filter and plinth filter. Check the airways.</p>	<p>The plinth filter looks clean after thorough cleaning. However, the programme is cancelled and the fault message appears again. The reason for this is that there is still underlying residue that cannot be removed.</p> <ul style="list-style-type: none"> ■ To delete the message: touch the OK sensor. ■ Replace the plinth filter with a new one. ■ You can regenerate the removed "old" plinth filter in the washing machine. Follow the instructions in "Problem solving guide - Regenerating the plinth filter".
 <p>Check water drainage</p>	<p>The condensate drain is faulty.</p> <ul style="list-style-type: none"> ■ Check if the drain hose is in good working order and not kinked. ■ To delete the message: open and close the door while the dryer is switched on.
 <p>Fault F. If restart fails, call Miele.</p>	<p>There is no obvious cause for the cancellation of the programme.</p> <ul style="list-style-type: none"> ■ Follow the prompt in the display. ■ Touch the OK sensor. ■ Start a drying programme. <p>If the programme terminates again with the same error message, then there is a fault. Contact Miele.</p>

Problem solving guide

Messages in the display

Message	Possible cause and remedy
i Open bottom right grille, clean the heat exchanger	<p>The cooling fins of the heat exchanger behind the grille may be blocked by dirt particles drawn in from the surrounding area, and the air passages may be blocked by fluff.</p> <ul style="list-style-type: none">■ Clean the heat exchanger. See “Bottom right grille/ heat exchanger” in “Cleaning and care”.■ Check and clean the filters in the drum loading area and in the plinth.■ To delete the message: touch the OK sensor.
i Clean the fluff filter and rinse the plinth filter.	<p>This information is displayed at the end of the programme if the tumble dryer is not working correctly or economically. The fluff filters may be clogged.</p> <ul style="list-style-type: none">■ Normally, all you have to do is clean the fluff filters..■ Also check the plinth filter and clean it if necessary.■ If you have removed the plinth filter, also check the filter insert behind it. Clean the filter insert if necessary. <p>Please see "Cleaning and care" for notes on cleaning.</p> <ul style="list-style-type: none">■ To delete the message: touch the OK sensor.
 Plinth filter not fitted. Please fit it.	<p>The plinth filter has not been inserted.</p> <ul style="list-style-type: none">■ Check the filter in the plinth. <hr/> <p>Removing the filter during a drying programme will result in the programme being cancelled.</p>
i Power outage. Programme stopped.	<p>There has been an interruption to the power supply.</p> <ul style="list-style-type: none">■ When power is restored, you need to confirm with OK.■ Touch the <i>Start/Stop</i> sensor.

Problem solving guide

Message	Possible cause and remedy
Finish/Cooling down	<p>There is no fault, but the drying process continues. The laundry is still being cooled. The programme is just about to end.</p> <ul style="list-style-type: none">■ Either remove the laundry and spread it out to cool down or leave it in the tumble dryer to cool down during the cooling phase.

Problem solving guide

Unsatisfactory drying result

Problem	Possible cause and remedy
The laundry is not sufficiently dry.	The load consisted of different types of fabric. ■ Finish drying using the <i>Timed drying warm air</i> programme.
Large items of laundry have rolled up, causing a problem. The individual items of laundry are still damp.	The laundry could not be untangled in the programme you selected. Smaller items have rolled up into one. ■ Untangle the laundry. ■ Select the <i>Large items</i> programme. If the <i>Large items</i> programme does not appear in the display for selection, you can activate it later. How to activate a programme subsequently is described in “Supervisor level – Opening the Supervisor level” and “Programme selection/ Programme packages”.
Laundry or feather filled pillows smell after drying.	The laundry was washed with insufficient detergent. Feathers are a natural product and may develop odours when exposed to heat. ■ Laundry: Wash with sufficient detergent next time. ■ Pillows: Take out of the tumble dryer and aerate.
Items made of synthetic fibres are charged with static electricity after drying.	Synthetic fibres tend to attract static charge. ■ Static charge can be reduced by adding fabric softener to the final rinse in the washing programme.
Fluff is caused by tumble drying.	Fluff is principally the result of friction when garments are being worn and to some extent when they are being washed. Tumble drying hardly causes any fluff to form. Fluff is collected by the fluff filters and fine filters and can easily be removed. ■ See “Cleaning and care”.


The drying process takes a long time.

Problem	Possible cause and remedy
The drying process goes on too long or even switches off*.	<p>The room in which the tumble dryer is located is too warm.</p> <ul style="list-style-type: none"> ■ Ventilate the room thoroughly.
	<p>Detergent residues, hair and fine fluff can clog the filters.</p> <ul style="list-style-type: none"> ■ Clean the fluff filters and the filter in the plinth. See "Cleaning and care" for an in-depth description. ■ If you have removed the plinth filter, also check the filter insert behind it. Clean it if necessary. ■ If you have removed the filter insert, also check the heat exchanger behind it. Clean it if necessary.
	<p>The cooling fins behind the bottom right grille are soiled.</p> <ul style="list-style-type: none"> ■ Clean as described in "Cleaning and care - Bottom right grille/heat exchanger".
	<p>The laundry is too damp.</p> <ul style="list-style-type: none"> ■ Spin the laundry using a higher spin speed in the washing machine.
	<p>The tumble dryer has been overloaded.</p> <ul style="list-style-type: none"> ■ Do not exceed the maximum load for the programme selected.
	<p>Metallic components, e.g. zippers, have prevented the dryer from registering the correct moisture level.</p> <ul style="list-style-type: none"> ■ Open any zips next time. ■ If the problem occurs again, dry these items using the <i>Timed drying warm air</i> programme.

* Switch the tumble dryer off and on again after a short waiting period before starting a new programme.

Problem solving guide

General problems with the tumble dryer

Problem	Possible cause and remedy
You can hear buzzing or humming operating noises.	This is not a fault. These noises are normal and caused by the operation of the compressor (heat pump).
The interior drum lighting does not come on.	The drum lighting switches off automatically when the door is closed. To save energy, the drum lighting will switch off after a few minutes if the door is left open for an extended period. The drum lighting will come on when the door is opened if the tumble dryer is switched on.
The display is in a different language.	A different language has been selected. ■ Set the language you want. The flag symbol  serves as a guide.

Regenerating the plinth filter

You can regenerate one or more dirty plinth filters in the washing machine. In this way, a plinth filter can be used again for a reasonable period of time.

- Wash one or more plinth filters separately without garments. Do not add laundry detergent.

Useful tip: Select a short wash programme with a maximum temperature of 40°C and a maximum spin speed of 600 rpm.

- Select for example the *Separate rinse* programme.

After washing and spinning, you can refit the plinth filter. You can continue to use a regenerated plinth filter as long as there are no signs of wear.

You can no longer use a regenerated plinth filter if it shows signs of wear or deformation.

See the information in “Cleaning and care - Replacing the plinth filter”.

Service

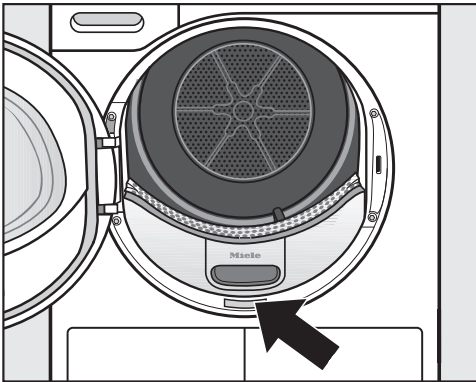
Contact in case of fault

In the event of any faults which you cannot remedy yourself, please contact Miele Professional Service.

You can book a Miele customer service call-out online at www.miele.com.au/professional. Contact information for Miele can be found at the end of this booklet.

Please quote the model and serial number of your appliance when contacting Miele. This information can be found on the data plate.

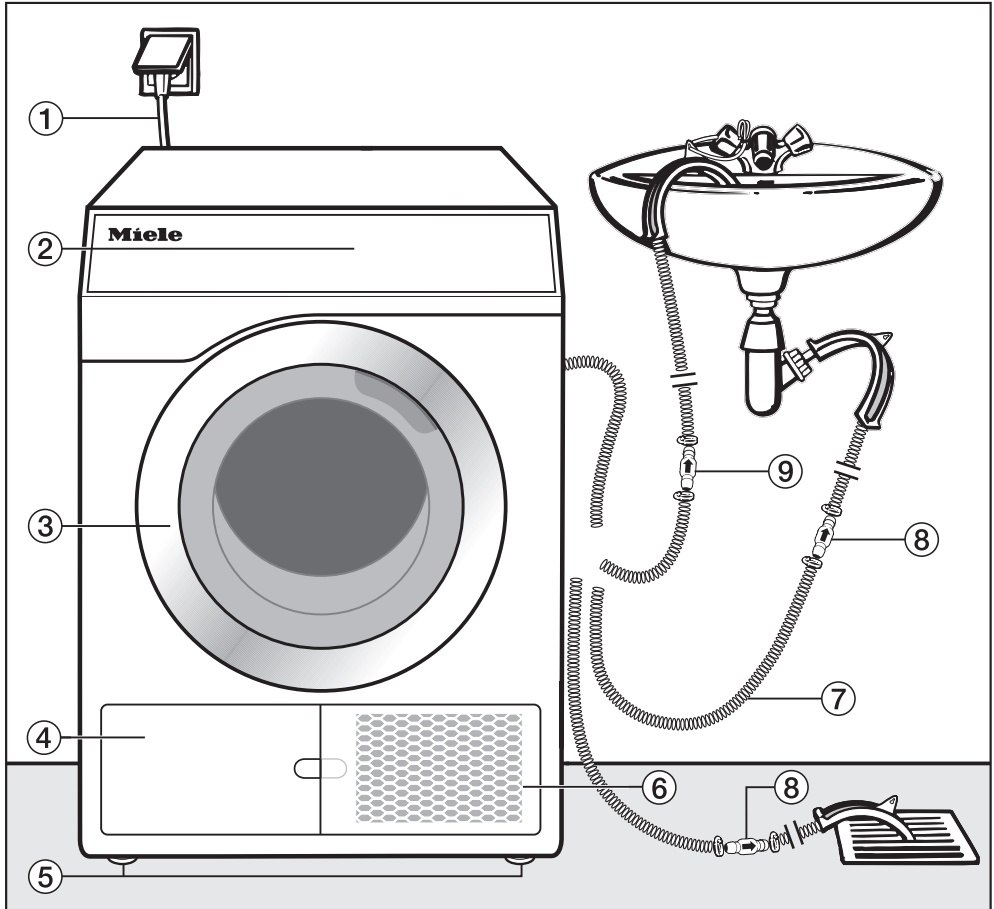
You can see the data plate when you open the door of your tumble dryer:



Optional accessories

Optional accessories for this tumble dryer are available from Miele (see contact details at the back of these instructions).

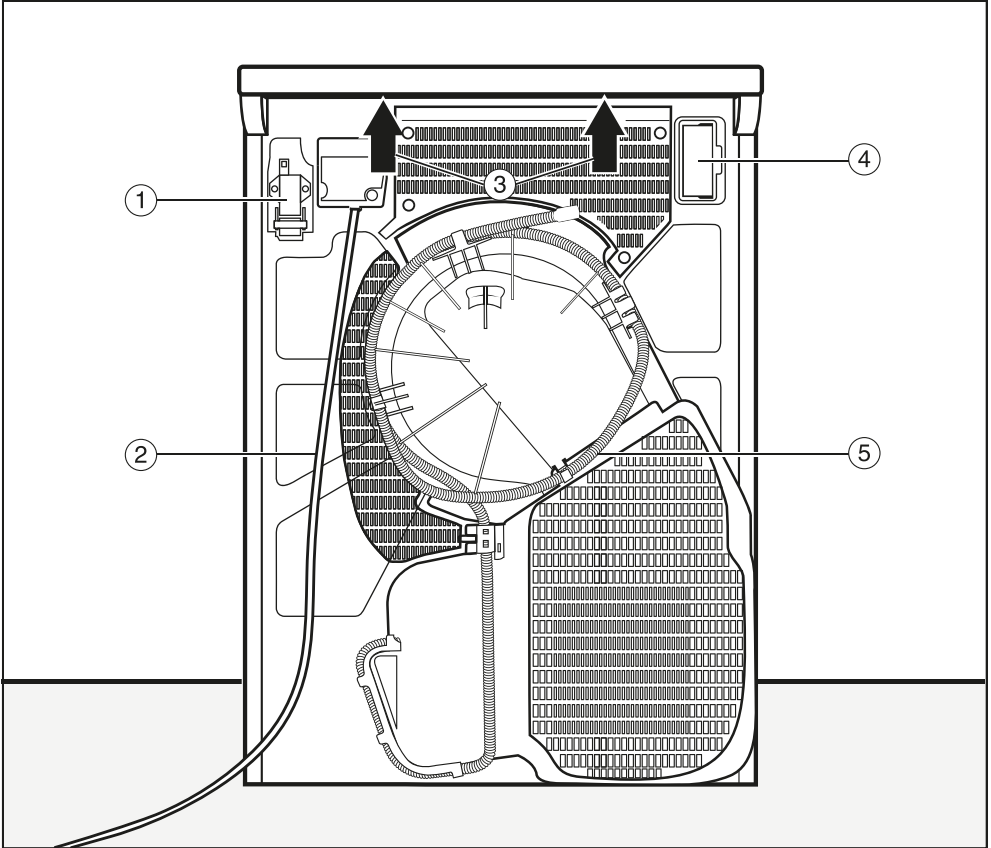
Front view



- ① Mains connection cable
- ② Control panel
- ③ Door
- ④ Fluff filter flap for the filter in the plinth
 - Open only when a prompt appears in the display
- ⑤ 4 height-adjustable screw feet
- ⑥ Bottom right grille = air cooling opening
 - Open only when a prompt appears in the display
- ⑦ Drain hose for condensed water
- ⑧ Non-return valve, required
- ⑨ Non-return valve, recommended

Installation

Rear view



① Interface for communicating with external devices

② Mains connection cable

③ Protruding lid for holding the appliance during transport

④ Module slot (for external communication module)

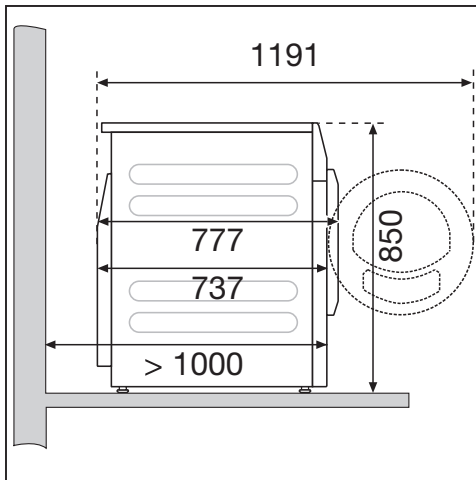
⑤ Drain hose for condensed water

Installation locations

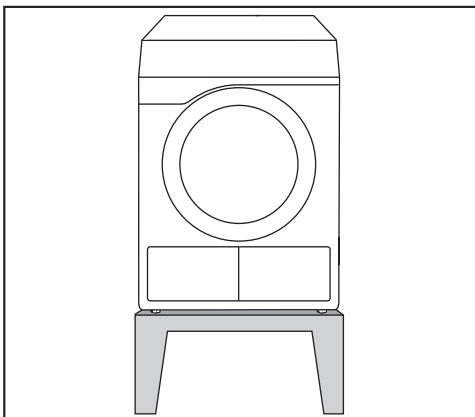
All measurements are in mm.

The distances between the machine and the wall are recommended for making service work easier. The machine may be pushed against the wall if installation conditions mean there is limited space.

Side view

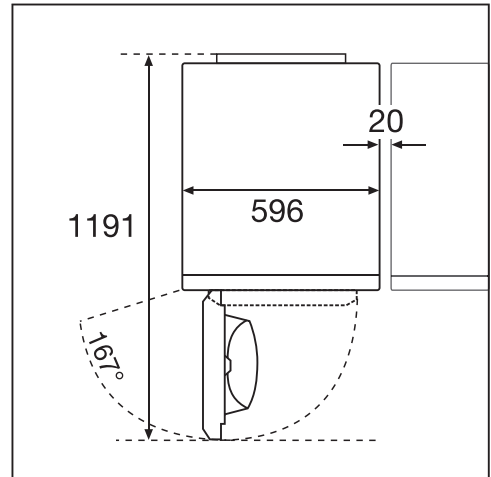


Steel plinth



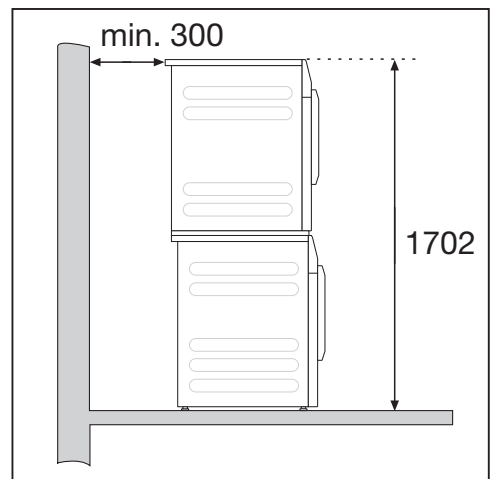
Steel plinth* (open or closed bases)

View from above



Washer-dryer stack

⚠ Installing the washer-dryer stack on a Miele plinth is not permitted.




A stacking kit* is required. This must be fitted by a Miele authorised service technician.

* Miele accessory available to order

Installation

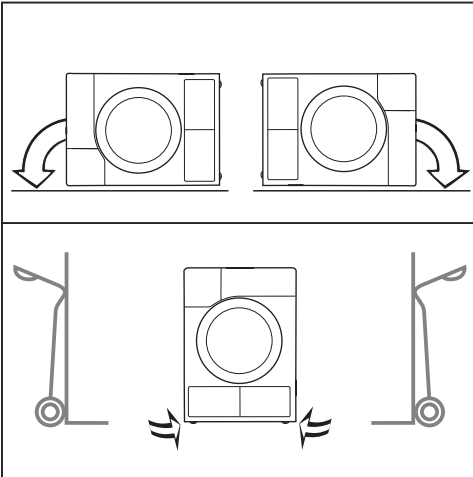
Transporting the dryer to its installation site

 Risk of damage from incorrect transport.

If the tumble dryer tips over, there is a danger of injury to people and damage to property.


Ensure that the tumble dryer is stable during transportation.

Transporting the tumble dryer



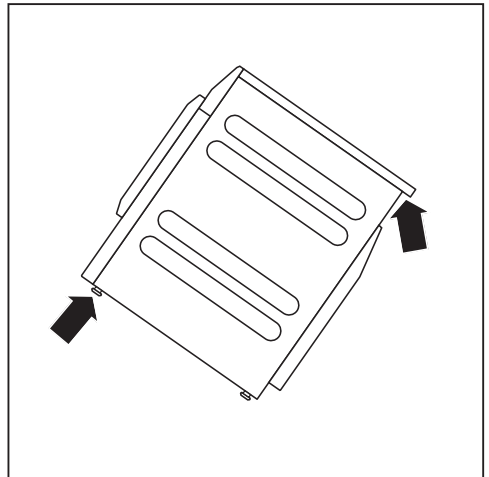
- If the tumble dryer is being transported horizontally, it must only be tipped onto its left or right side.
- If the tumble dryer is being transported upright and you are using a handcart or trolley, you must only transport it with its left or right side resting on the handcart or trolley.

Transporting the tumble dryer to its installation site

 Danger of injury due to unsecured lid.

The rear attachment of the lid may become brittle due to external circumstances. There is a danger of the lid being pulled off when carrying the appliance.

Before carrying the appliance, check that the lid is secure where it protrudes at the back.




- Carry the tumble dryer by the front feet and by the lid where it protrudes at the back of the appliance.

Installation

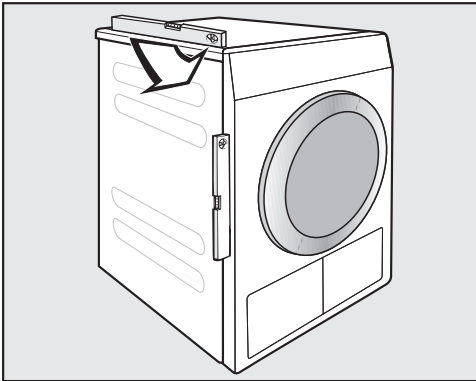
Ensure that no lockable door, sliding door or a door hinged in the opposite direction is installed in the pivoting range of the dryer door.

Downtime after installation

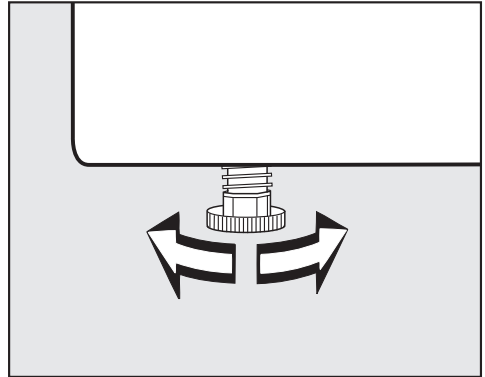
 Damage caused by switching the appliance on too soon.

This can damage the heat pump. After setting up the tumble dryer, wait for at least one hour before switching it on.

Levelling the dryer



The appliance must stand perfectly level on all four feet to ensure safe and proper operation.



The screw feet can be adjusted to compensate for unevenness in the floor.

This tumble dryer is not suitable for building under.

Never block the ventilation slots on the tumble dryer. Do not block the gap between the bottom of the tumble dryer and the floor with plinth boards, deep pile carpet etc. which could obstruct the openings. This would hinder a sufficient flow of air to the tumble dryer.

Installation

Room ventilation

- Air drawn in for use in the drying process will be warm when it is expelled back into the room by the tumble dryer. You must therefore ensure that the room is sufficiently ventilated, particularly if the appliance is located in a small room.
- Make sure that the room temperature is not too high. If there are other heat producing appliances in the room in which the dryer is located, make sure the room is well ventilated and switch the other appliances off, if possible.

Otherwise running times and energy consumption could be increased.

External control equipment

An optional accessory unit has to be purchased to set up a connection with external systems:

- XCI box communication module (e.g for peak load control units or payment systems)
- XCI-AD communication adapter (for payment systems only)

Payment system

The dryer can be fitted with a payment system (optional accessory). This must be connected and programmed by a Miele Professional Service technician.

Coins/tokens must be removed from the coin box regularly. Otherwise, the payment system will become blocked.

Drain hose for condensed water

The condensed water is pumped away through the drain hose which is located at the back of the dryer.

Arranging the drain hose

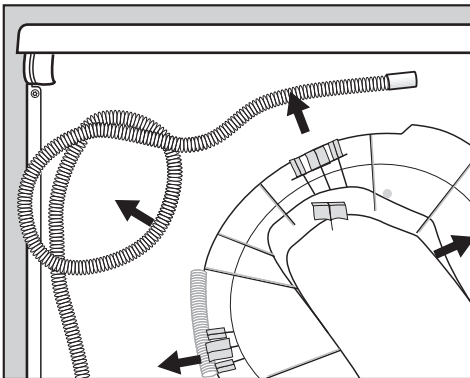
⚠ Risk of damage to the drain hose due to improper use.

The drain hose can be damaged and may leak.

Do not pull on the drain hose and do not stretch it or allow it to become kinked.

Useful tip: Use the bow-shaped guide to prevent the drain hose from becoming kinked.

Drain hose length: 1400 mm
Delivery head: 1000 mm



■ Pull the drain hose out of the clips.

Drain hose connection options

Useful tip: Follow the warnings regarding leakage or backflow of water when selecting one of the following connection options.

- Directed into a laundry tub or trough
- Connected securely to a floor drain (gully)
- Connected directly to a laundry tub or trough drain outlet
- Connection to a drainage system already in use by another appliance, e.g. a dishwasher or washing machine

⚠ Risk of water damage.
Should the end of the hose come loose, overflowing water can cause damage.

Secure the drain hose carefully (e.g. by tying it) to make sure it cannot slip.

⚠ Danger of condensed water backflow.

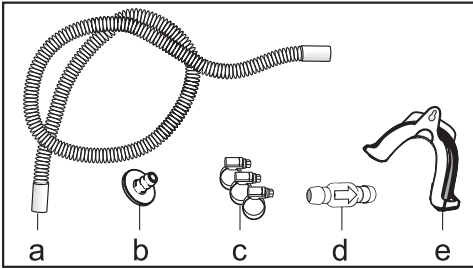
Water could flow back into the tumble dryer or be drawn into it. The tumble dryer will sustain damage and water will leak out.

The non-return valve should be used if the end of the hose is immersed in water or mounted onto other water-bearing connections.

A non-return valve kit is available as an optional accessory for external condensed water connections.

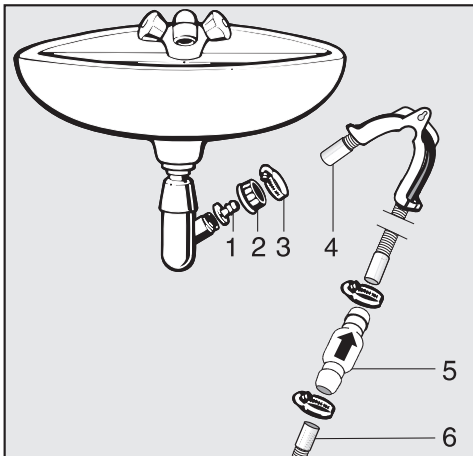
Installation

Drainage accessories, supplied



- a. Hose extension
- b. Adapter
- c. Hose clips
- d. Non-return valve
- e. Hose holder

Example: Connected directly to a laundry tub or trough drain outlet



- 1. Adapter
- 2. Washbasin nut
- 3. Hose clip
- 4. Hose extension
- 5. Non-return valve and hose clips
- 6. Tumble dryer drain hose

- Fit the adapter **1** to the drain outlet using the nut **2**.
If this nut has a spacer you should take the spacer out first.
- Attach the end of the hose **4** to the adapter **1**.
- Use a screwdriver to tighten the hose clip **3** up close to the nut.
- Fit the non-return valve **5** to the tumble dryer drain hose **6**.

The non-return valve **5** has to be fitted so that the arrow points in the direction of flow (i.e. towards the laundry tub).


- Secure the non-return valve using the hose clips.

Electrical connection

This description applies to tumble dryers both with and without a mains plug.

The following applies to tumble dryers with a mains plug:

- This tumble dryer is supplied with a mains cable with moulded plug.
- The electrical socket must be easily accessible so that the tumble dryer can be disconnected from the electricity supply.

 Damage caused by incorrect supply voltage.

The data plate indicates the nominal power consumption and the appropriate fuse rating.

Compare the specifications on the data plate with those of the mains electricity supply.

The dryer must only be connected to a permanent electrical system that conforms to the national and local codes and regulations.

Do not connect the machine via an extension lead or power board. They do not guarantee the required safety of the appliance (e.g. danger of overheating and fire).

If the appliance is hard wired, an all-pole disconnection must be provided on site. The means of disconnection must be incorporated in the fixed wiring in accordance with the wiring rules.

When switched off, there must be an all-pole contact gap of at least 3 mm in the isolator switch (including circuit breakers, fuses, and relays according to

AS/NZS 3000). This connection must be carried out by a qualified and competent electrician.

The plug connector or isolator switch should be easily accessible at all times.

 Risk of electric shock!

If the dryer is disconnected from the power supply, protective measures must be taken to ensure that the point of disconnection cannot accidentally be switched on again.

Make sure the isolator is lockable or the point of disconnection is monitored at all times.

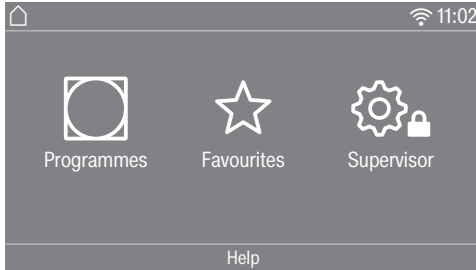
New connections, modifications to the system, or servicing of the protective conductor, including determining the correct fuse rating, must be carried out by a qualified and competent electrician, as they are familiar with the pertinent regulations and the specific requirements of the electrical utility company.


The dryer must not be connected to devices such as timers which would switch it off automatically.

Technical data

Height	850 mm
Width	596 mm
Width (for appliances with a stainless steel lid)	605 mm
Depth	777 mm
Depth with door open	1191 mm
Weight	72 kg
Drum volume	130 l
Load size	8 kg (weight of dry laundry)
Hose length	1400 mm
Length of connection cable	2000 mm
Supply voltage	See data plate on back of machine
Rated load	See data plate on back of machine
Fuse rating	See data plate on back of machine
Test certificates awarded	See data plate on back of machine
LEDs	Class 1
Designation of refrigerant	R134a
Refrigerant quantity	0.61 kg
Refrigerant global warming potential	1430 kg CO ₂ e
Appliance global warming potential	872 kg CO ₂ e
Max. floor load during operation	925 N
Product safety standard	AS/NZS 60335
A-rated sound emissions L _{pA} in accordance with EN ISO 11204/11203	<70 dB re 20 µPa
Frequency band	2.4000 GHz – 2.4835 GHz
Maximum transmission power	< 100 mW

Opening the Supervisor level



Touching the  sensor takes you to the Supervisor level.

Access via code

A code is needed to access the Supervisor level.

Factory default: the code is **000**.

Change code

You can change the Supervisor level access code to protect the tumble dryer from unauthorised access.

Carefully enter a new code.
You will need to inform Miele if you have forgotten your new code. Miele will have to reset the code.
Make a note of your new code and store it in a safe place.

Demo programme

In showrooms, a Demo programme can be started with a simulation.

The programme does not start. The operational sequence is simply a simulation.

Useful tip: The Demo programme will only be available if a drying programme lasting more than 1 hour has not been carried out. After this, the Demo programme will not be available.

Closing the settings menu

■ Touch the  sensor.

The display will go back to the previous menu level.

■ Touch the  sensor.

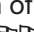
The display will switch to the main menu.

Controls / Display

Language

The display can be set to appear in one of several different languages. To select the language you want, go to the *Languages* submenu.

You can change the language as follows:

- Permanently: in the Supervisor level (= "Supervisor language").
- Only for the duration of the current programme: via the  sensor. The supervisor language is displayed again at the end of the programme.


Supervisor level

Language entry


The display can be set to one of several different user languages. This setting allows you to determine how languages can be selected.

You can change the language as follows:

International


6 languages are available. The  sensor is not active. Note the setting *Set languages*.

Language setting

The  sensor can be used to select a language. All languages are available (factory setting).

You can change the order of the first 4 languages. These slots are allocated to the most commonly used languages.

Standard language

The user language cannot be changed. The user language is the same as the supervisor language. The  sensor is not active.

Set languages

The languages for the setting *Language entry International* can be changed.

6 languages can be selected. All languages are available.

If you wish to add a new language to the language menu:

- First select the language you want to replace.

All available languages are displayed.

- Select and confirm the language that is to replace the previous language.

The new language will appear in the place of the old one.

Display brightness

The brightness of the display can be altered. The setting depends on the various lighting conditions in the place of installation.

- It can be set to one of 10 different levels.

Time

After selecting the clock format, you can set the time of day.

Clock format

- Factory setting: 24-hour display
- 12-hour display
- No clock

Set

- The time can be set.

Date

The date can be set after selecting the date format.

Date format

The date can be shown starting with the day, month, or year.

Date

The date is set.

Volume

The volume for various signal tones can be changed.

The volume can be changed.

- Finish tone
- Keypad tone
- Welcome tone
- Fault alarm

The acoustic signal that indicates a fault can be switched off. The volume cannot be changed for this.

Res. moisture display

In addition to displaying the drying level, the residual moisture can also be indicated as a percentage.

- Factory default: without percentages
- With percentages

Visibility parameters

Various parameters are offered/ displayed when a programme is selected. You can decide which parameters should not be displayed. These parameters can then not be edited during programme selection.

- Residual moisture
- Duration (only timed programmes)
- Load size
- Gentle tumble
- Anti-crease

Supervisor level

“Display” off status

The display switches off to save energy; only the *Start/Stop* sensor flashes slowly. This can be changed.

Changing this setting leads to increased energy consumption.

- *Off*
Not switching off
- *On (10 min.) Not curr.prog.*
The display will remain on while the programme is running but will go out 10 minutes after the end of the programme.
- *Logo (10 min.) Not curr.prog.*
The display will remain on while the programme is running but the logo will light up 10 minutes after the end of the programme.
- *Factory setting: On after 10 min.*
The display switches off after 10 minutes.
- *On (30 min.) Not curr.prog.*
The display will remain on while the programme is running but will go out 30 minutes after the end of the programme.
- *Logo (30 min.) Not curr.prog.*
The display will remain on while the programme is running but the logo lights up 30 minutes after the end of the programme.
- *On after 30 min.*
The display will go out after 30 minutes.

“Machine” off status

In order to save energy, the tumble dryer will switch off automatically after the end of the programme or if no further selection is made. This can be changed.

Changing this setting leads to increased energy consumption.

- Not switching off
- *Factory setting: Switching off after 15 minutes*
- *Switching off after 20 minutes*
- *Switching off after 30 minutes*

Delay start

The delay start (Timer) can be activated or deactivated.

- *Factory setting: Off*
- *On*

SmartStart (only available in selected countries)

The function of Delay start changes when the *SmartGrid* setting is activated. The period of time in which the drying programme will start automatically is then shown in the display: *SmartStart by*, *SmartStart in*, or *SmartFinish by*.

The programme is started via an external signal.

The time period can be defined up to 24 hours. During this period, the tumble dryer waits for an external signal. If no signal is sent during the defined period,

the tumble dryer starts the drying programme once the defined period of time has elapsed.

Memory

The tumble dryer saves the settings that were last selected for a drying programme (drying level and/or Extras, or the duration for some programmes).

- Factory setting: Off
- On

Temperature unit

You can select the unit for the temperature display.

- Factory setting: °C / *Celsius*
- °F / *Fahrenheit*

Weight unit

You can decide whether load quantities are displayed in “kg” or “lb”.

- Factory setting: kg
- lb

Logo

You can choose whether the “Miele Professional” logo or your own logo appears in the display.

For the **Controls setting**, the **Launderette Logo**, **Launderette Logo int. time**, or the **Launderette Logo ext. time option** must be selected.

- Miele Professional logo
- Customer logo
- Marine logo

Supervisor code

You can change the Supervisor level access code to protect the tumble dryer from unauthorised access.

- Enter the existing code.
- Then enter your new code.

Supervisor level

Programme selection

Controls

You can select whether the tumble dryer is operated as a “laundrette” machine. Shortcuts are the easiest way to operate the machine. Operators cannot change the preset programmes.

Useful tip: Start by configuring all necessary settings and changes to the tumble dryer before adjusting any of the options below.

Caution: When activating any of these options, the Supervisor level will no longer be available. You will no longer be able to access the Supervisor level via the display. Please follow the instructions below if you wish to change any other settings.

Opening the Supervisor level (laundrette mode)

- Switch the tumble dryer on and open the dryer door.
- ① Touch the *Start/Stop* sensor and hold it down while carrying out steps ②–③.
- ② Close the tumble dryer door.
- ③ Wait until the *Start/Stop sensor, which will now be flashing quickly, lights up constantly* ...
- ④ ... then release the *Start/Stop* sensor.

- *Standard*

Factory setting: All (selected) programmes are available.

- *Laundrette, basic*

12 programmes are available.

Under *Favourite programmes*, you can set which or how many programmes can be selected/modified.

- *Laundrette Logo*

12 programmes are available.

Under *Favourite programmes*, you can set which or how many programmes can be selected/modified.

The first 3 programmes can be selected directly. The remaining programmes are selected via another list.

- *Laundrette Logo ext. time*

4 timed programmes* with different temperature levels are time-controlled via an external payment system. The maximum laundry weight is 8 kg.

The set value indicates the running time and cannot be modified by the user.

This option is only available with an external payment system.

* The maximum running time is specified during initial commissioning.

- *Launderette Logo int. time*

4 timed programmes* with different temperature levels are time-controlled via the tumble dryer electronics. The maximum laundry weight is 8 kg.

The set value indicates the maximum running time and can be modified by the user.

* The maximum running time is specified during initial commissioning.

- *External prog. selection*

A communication module can be used to select the programme from an external terminal.

Programme packages

This allows you to specify the scope of the tumble dryer programme. You can select all of the programmes or individual programmes from the relevant programme packages.

The programme packages are described in detail in the “Programme chart”.

Supervisor level

Favourite programmes

After switching on, you can also select a programme via: ☆ Favourites. 12 programmes can be stored as favourite programmes based on your own priorities and requirements.

These favourite programmes will also be made available in the control options

- *Launderette Logo*
- *Launderette, basic*

You can specify the control options under *Controls*.

Useful tip: You can assign a different colour to each programme. In this case, the *Prog. colour allocation* setting must be set to *On*.

Changing Favourite programmes

- Select the programme you wish to change or replace.
- Confirm the programme or the setting to be changed.

Another menu opens, enabling you to select a new programme or change the parameters.

- Confirm with the *Save* sensor.

Your selection is now active.

Reducing the number of Favourite programmes

You can reduce the number of Favourite programmes by “deactivating” each one individually.

- Select the programme you wish to deactivate.
- Confirm the programme.
- Select <empty> from the list instead of a programme.

The selection in the ☆ Favourites and the selection in the *Launderette, basic* and *Launderette Logo* control option is reduced.

Once a programme has been deactivated, ∅<empty> is displayed in its place. You can add a programme again at any time.

Changing the sequence of Favourite programmes

You can change the sequence of Favourite programmes by moving the programmes around.

- Touch the programme that you wish to move.

An orange border appears around the selected programme.

- Touch the programme with your finger and keep your finger pressed down.
- Drag the programme to the required position.

Special programmes

You can put together 5 special residual moisture or time-controlled programmes and assign your own programme names.

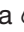

First, enter the programme name.

- Select the special programme you want to change.

The **Save as** menu opens.

- Use the letters and symbols below the line to enter the name.

- Touch the **Save sensor**.

You can now enter the parameters for a  Res. moisture programme or  Timed drying.

The 5 special programmes are pre-programmed at the factory, see “Supervisor level”. You can change these special programmes.

The special programmes are added to the programme packages. Enter the names and settings of your special programmes into the “Special programmes” table at the end of the “Programme chart”.

Res. moisture programme

- Final residual moisture:
 - 6% (dry) – 40% (damp)
- Extra drying time:
 - 0 – 60 minutes
- Temperature (Process air):
 - cold – 70°C
- Drum rotation main direction:
 - 0 - 600 seconds

- Drum reversal:
 - 0 - 600 seconds
- Holding phase
 - Holding time:
 - 0 – 60 minutes
 - Holding temperature (Process air):
 - cold – 70°C
- Cooling down temp. (Process air):
 - 40 – 55°C
- Anti-crease
 - Drum rotation main direction:
 - 0 - 500 seconds
 - Drum reversal:
 - 0 - 500 seconds
 - Pause:
 - 100 - 3000 seconds

Timed drying

- Running time:
 - 1 – 120 minutes
- Temperature (Process air):
 - cold – 70°C
- Drum rotation main direction:
 - 0 - 600 seconds
- Drum reversal:
 - 0 - 600 seconds
- Cooling down temp. (Process air):
 - 40 – 55°C
- Anti-crease
 - Drum rotation main direction:
 - 0 - 500 seconds
 - Drum reversal:
 - 0 - 500 seconds
 - Pause:
 - 100 - 3000 seconds

Supervisor level

Sort programmes

Programmes can be moved within the programme list and in the Favourites list.

- Factory setting: Off
- On
- Select the “On” option.
- Exit Supervisor level.
- Select Programmes.
- Touch the programme that you wish to move.

An orange border appears around the selected programme.

- Touch the programme with your finger and keep your finger pressed down.
- Drag the programme to the required position.

Prog. colour allocation

You can assign a specific colour to a favourite programme. In the list of favourites, each favourite programme is given a coloured frame, which can be selected.

- Factory setting: Off
- On

Process technology

Anti-crease

At the end of the programme, the drum will continue to rotate at intervals if the laundry is not removed immediately.

Changing this setting leads to increased energy consumption.

The setting (⌘) can be switched off or set to a time between 1 and 12 hours.

Factory setting: Off

Drying levels

Changing this setting leads to increased energy consumption.

You can alter the drying levels for the *Cottons*, *Minimum iron*, and *Automatic plus* programmes.

They can be set to one of 7 different levels.

Factory setting: Normal

The *Machine iron* drying level in the *Cottons* programme can be individually adapted.

You can change the residual moisture in this programme to one of 11 levels from 16% (drier) to 26% (damper).

Factory setting: 20%

Further cooling

Before the end of the programme, the temperature of the dried laundry is monitored and the cooling phase at the end of the programme is extended if necessary.

Changing this setting leads to increased energy consumption.

- Factory setting: Off
- On

Cooling down temperature

The laundry will be cooled down automatically before the end of the programme. The automatic cooling-down phase which takes place before the end of a programme can be set at a cooler level for all programmes. This means that the cooling phase is extended.

Changing this setting leads to increased energy consumption.

The setting can be changed from 40°C–55°C.

Factory setting: 55°C

Supervisor level

Service

Clean out the airways

The tumble dryer's electronics calculate the degree at which fluff or detergent residue in the fluff filters and air ducts are impairing performance. A message to check them appears. You can decide at what level of fluff this reminder should be displayed.

This prompt, which you can configure, is displayed: Clean the fluff filter and rinse the plinth filter.

- Off
The reminder does not appear. However, if there is a very severe blockage in the ducting, the programme will be cancelled and the reminder will appear in the display regardless of this option.
- Heavy
The reminder only appears when there is a heavy build-up of fluff.
- Factory setting: Normal
- Sensitive
The reminder appears when there is only a small build-up of fluff.

Service interval

The tumble dryer shows a custom message at a selected interval to prompt you to undertake specific maintenance tasks.

3 different messages can be created: 1/2/3. Each message is created in the language and alphabet of the current supervisor language.

Your message is displayed at the end of the programme and can be acknowledged with OK. The same message appears at the end of the next programme.

Settings

This setting allows you to determine the interval (by hours or date) at which the message appears.

- Factory setting: Off
- by time
You can select a time interval between 1-9999 hours.
- by date
You can enter a date.

Message text

Enter your individual message text for your planned maintenance work. You can edit one, two, or all three of the 1/2/3 messages.

Reset display

The message will appear until the display is permanently reset. The message then only appears again when the next interval is reached.

External applications

Peak load signal

External hardware is connected via the Miele XCI box.

The peak-load negotiation function enables the tumble dryer to be connected to an energy management system. When a signal is registered, the tumble dryer's heater is switched off for a short period or the appliance is prevented from being switched on. The tumble dryer may only be operated with a peak-load system if this system is connected to the tumble dryer via the Miele XCI Box.

- Factory setting: No function
- Peak load with 230 V
- Peak load with 0 V
- COM module

Peak load prevention

With this function, the application of a hygiene programme is not amended when a peak load signal is in place. The heater stays switched on.

- Factory setting: Off
- On

COM module selection

This tumble dryer is equipped with an integrated Wi-Fi module. However, the tumble dryer can also be equipped with an external module.

- Off
- Internal module (factory default)
The internal Wi-Fi module is used.
- External module
An XKM module or RS232 module is inserted into the module slot.

Availability of Miele digital products

The ability of Miele digital products depends on the availability of the services in your country.

The different services are not available in all countries.

For information about availability, please visit www.miele.com.

Supervisor level

Wi-Fi / LAN

Control the networking of your tumble dryer.

- Setup
This message only appears if the tumble dryer has not yet been connected to a Wi-Fi network.
- Deactivate (visible when the network is activated)
The network remains set up; the Wi-Fi function is switched off.
- Activate (visible when the network is deactivated)
The Wi-Fi function is reactivated.
- Connection status (visible when the network is activated)
The following values are displayed:
 - the quality of Wi-Fi reception
 - the network name
 - the IP address
- Reset (visible if set up)
Resets the Wi-Fi login (network) to immediately re-establish a new connection.
- Reset (visible if set up)
The network is no longer set up. To use the network again, a new connection must be established.
 - The Wi-Fi is switched off.
 - The Wi-Fi connection will be reset to the factory default setting.

Wi-Fi setup

There are 2 possible connection methods.

Via WPS

- Activate the WPS function on your router within 2 minutes.

Useful tip: If the connection has not been set up when the timeout has finished counting down, repeat the process.

Via Soft AP

- Activate the function with the Miele App on your smart device within 10 minutes.

Useful tip: The App will guide you through the remaining steps.

Network time

The date and time can be synchronised via the network.

- Off

The date and time are not synchronised via the network.

- as a master

The machines are in a network but are not connected to the internet.

One machine is declared as the master and sends data to the *slave* devices.

- as a slave

The machines are in a network with internet connection. All machines are configured as *slaves*. Data is synchronised over the internet.

Remote

Programmes are selected on an external terminal.

- Factory setting: On
- Off

Supervisor level

Remote Update

(only available in selected countries)

The RemoteUpdate function is used for updating the software in your tumble dryer.

RemoteUpdate is activated at the factory.

If you do not install a RemoteUpdate, you can continue to use your tumble dryer in the usual way. However, Miele recommends installing remote updates.

Activation

The RemoteUpdate menu option is only displayed and can only be selected if you have added your tumble dryer to your Wi-Fi network.

Miele's RemoteUpdate function can only be used if the tumble dryer is connected to a Wi-Fi network and you have an account in the Miele Professional App. The tumble dryer must be registered in the App.

See the Miele Professional App for terms and conditions of use.

Some software updates can only be carried out by a Miele service technician.

Running a RemoteUpdate

If a RemoteUpdate is available for your tumble dryer, it will be displayed automatically when the Supervisor level is open.

You can choose to start the RemoteUpdate immediately or wait until later. If you select "Start later", the

prompt to run the RemoteUpdate will be displayed again the next time you switch on the dryer.

The RemoteUpdate can take several minutes.

Please note the following information about the RemoteUpdate function:

- You will only receive a message when a RemoteUpdate is available.
- Once a RemoteUpdate has been installed, it cannot be undone.
- Do not switch off the tumble dryer during a RemoteUpdate. Otherwise, the RemoteUpdate will be aborted and will not be installed.

SmartGrid

(only available in selected countries)

The SmartGrid setting is only visible if a network has been set up and activated. You can use this function to integrate your tumble dryer into building energy management systems.

Machine parameters

Legal information

Open source licences

You can view information at this point.

Copyright and licences for operating and control software

For the purpose of operating and controlling the appliance, Miele uses proprietary or third-party software that is not covered by open source licensing terms. These items of software/software components are protected by copyright. The copyright powers of Miele and third parties must be respected.

In addition, the appliance contains software components which are distributed under open source licensing terms. You can access these open source components along with the associated copyright notices, copies of the valid licensing terms and any further information in the appliance under the menu option [Settings | Appliance parameters | Legal information | Open source licences](#). **The liability and warranty arrangements for the open source licences displayed at this location only apply in relation to the respective rights holders.**

Payment system

The XCI-AD or XCI box accessory unit is required to connect a payment system.

Settings for the payment system

If you wish to change the settings later, please contact Miele.

You would like to connect a payment system.

- No payment system
The next settings are skipped and initial commissioning can be completed.
- Programme operation
The machine is operated using a payment system. The user purchases a wash programme.
- Time operation
The tumble dryer is coin-operated using a time meter. The user purchases a time-controlled programme.
- Timed operation with pulse counter
For payment systems where the usage time is increased each time a coin is inserted.
- COM module
The machine is operated by a central control unit.

Supervisor level

F-back signal to pay system

Setting the feedback signal for the payment system.

- Factory setting: Off
- At the end of the programme
The feedback signal is sent at the end of the programme.
- Release of the start button
The feedback signal is sent when the start button is released.
- Start and end of the programme
The feedback signal is sent at the start and the end of the programme.
- During the running programme
The feedback signal is sent continuously from the start until the end of the programme.
- Process air temperature
The feedback signal is sent dependent on the temperature if the temperature of the process air is equal to or higher than the set temperature.

Payment system lock

To avoid tampering, a programme lock can be set up in programme operation. If the lock is applied, the programme is interrupted and payment credit is lost as soon as the door is opened.

To offer the possibility to add laundry, the time when the lock activates can be adjusted.

- Factory setting: Off
- As soon as the programme starts
- 1-5 minutes after the start of the programme

Clear paid signal

The "Paid" signal in coin mode can be applied until the end of the programme or discarded after 5 minutes if the programme has not been started.

- Factory setting: Off
- On

Debounce time

In coin mode, the debounce time for the minimum payment signal that must be applied can be adjusted.

- Factory default: Short
For payment systems where the falling coin generates the paid pulse.
- Long
For central control units on a 230 V basis.

Pay system override time

Setting the transition signal for the payment system. Security time margin to prevent the payment system being tampered with.

The override time can be set or switched off in increments of one minute from 30 minutes up to 4 hours.

If the programme does not end within the transition period, the setting in the payment system is reset. The programme is cancelled.

Factory setting: 3 hours

Duration Cool air

The programme running time can be adjusted.

A time of between 10 minutes and 2 hours can be set in five-minute intervals.

Factory setting: 2 hours

Duration Warm air

The programme running time can be adjusted.

A time of between 20 minutes and 2 hours can be set in five-minute intervals.

Factory setting: 2 hours

FOC programmes

In coin mode, you can decide whether the *Timed drying cool air* programme can be used for free.

- Factory setting: Off
- On

Miele Australia Pty. Ltd.

ACN 005 635 398

ABN 96 005 635 398

Melbourne:

Level 4, 141 Camberwell Road

Hawthorn East, VIC 3123

Telephone: 1300 731 411

service.prof@miele.com.au

**www.miele.com.au/professional
sales@miele-professional.com.au**

Miele New Zealand Limited

IRD 98 463 631

8 College Hill

Freemans Bay

Auckland 1011

New Zealand

Telephone: 0800 4 MIELE

(0800 464 353)

www.miele.com.au/professional
sales@miele-professional.com.au



Miele Global Headquarters: Miele & Cie. KG
Carl-Miele-Straße 29, 33332 Gütersloh, Germany

PDR 908 HP

en-AU, NZ

M.-Nr. 12 127 350 / 00