

## Operating and installation instructions Heat-pump tumble dryer



It is **essential** to read these operating instructions before installing and using the appliance. This prevents both personal injury and damage to the appliance.

# Contents

---

<b>Caring for the environment</b> .....	7
<b>Warning and Safety instructions</b> .....	8
<b>Operating the tumble dryer</b> .....	21
Control panel .....	21
Symbols on the control panel .....	22
Symbols in the display .....	23
Sensors and touch display with sensor controls .....	24
Main menu.....	24
Examples on how to operate the appliance .....	25
Selection list .....	25
Single selection .....	25
Setting numerical values .....	25
Exiting a submenu.....	25
<b>Using for the first time</b> .....	26
Switching on the tumble dryer .....	26
Setting the display language .....	26
Reference to external appliances .....	27
Setting the display brightness.....	27
Confirming the time query.....	27
Setting the time of day .....	27
Selecting programme packages .....	28
Setting up a payment system.....	28
Completing the commissioning process.....	29
<b>1. Notes on correct laundry care</b> .....	30
Washing.....	30
Drying .....	30
Care label symbols .....	30
<b>2. Loading the tumble dryer</b> .....	31
<b>3. Selecting a programme</b> .....	32
Switching on the tumble dryer .....	32
Selecting a programme .....	32
Selecting standard programmes with the programme selector .....	32
Selecting special programmes via the ☆ programme selector position .....	32

<b>4. Selecting programme settings</b> .....	33
Main menu for a programme.....	33
Selecting the drying level.....	33
Selecting the duration (timed drying programmes) .....	33
Selecting Extras.....	34
Gentle tumble.....	34
Anti-crease.....	34
Selecting Delay start.....	35
<b>5. Starting a programme</b> .....	36
Starting a programme.....	36
<b>6. End of programme - unloading the drum</b> .....	37
At the end of the programme.....	37
Removing the laundry.....	37
Observing care instructions.....	37
<b>Programme chart</b> .....	38
Standard programmes.....	38
☆ Special programmes.....	40
Programme packages.....	43
<b>Changing the programme sequence</b> .....	46
Changing a programme after it has started.....	46
Cancelling a programme.....	46
Reselecting a cancelled programme.....	46
Adding or removing laundry.....	46
<b>Fragrance flacon</b> .....	47
Inserting a fragrance flacon.....	47
Opening the fragrance flacon.....	49
Closing the fragrance flacon.....	49
Removing/replacing the fragrance flacon.....	50
<b>Cleaning and care</b> .....	51
Cleaning interval.....	51
1. When to clean the fluff filters.....	51
2. When to clean the filter in the plinth.....	52
3. When to clean the grille on the bottom right/heat exchanger for heat dissipation.....	53
Cleaning the filters.....	53
Removing the fragrance flacon.....	53
Removing visible fluff.....	53
Cleaning the fluff filters and air flow openings thoroughly.....	54

# Contents

---

Cleaning the filter in the plinth.....	56
Removing the plinth filter .....	56
Cleaning the fluff filters with water .....	57
Replacing the plinth filter.....	58
Cleaning the filter insert (in the plinth).....	60
Removing the filter insert .....	60
Checking the cooling fins on the heat exchanger .....	61
Refitting the filter insert in the plinth.....	62
Refitting the fluff filter in the plinth .....	62
Cleaning and closing the fluff filter flap.....	63
Cleaning the bottom right grille/heat exchanger .....	64
Removing the grille.....	64
Cleaning the cooling fins .....	65
Refitting the grille .....	65
Cleaning the dryer.....	66
<b>Problem solving guide .....</b>	<b>67</b>
The display shows the following messages or faults.....	67
Unsatisfactory drying result.....	70
The drying process takes a long time. ....	71
General problems with the tumble dryer .....	72
Regenerating the plinth filter .....	73
<b>Service.....</b>	<b>74</b>
Contact in case of fault .....	74
Optional accessories.....	74
<b>Installation.....</b>	<b>75</b>
Front view .....	75
Rear view.....	76
Installation locations.....	77
Side view .....	77
Steel plinth.....	77
View from above.....	77
Washer-dryer stack .....	77
Transporting the dryer to its installation site .....	78
Installation .....	79
Downtime after installation.....	79
Levelling the dryer .....	79
Room ventilation .....	80
External control equipment .....	80
Drain hose for condensed water .....	81
Electrical connection.....	83

---

<b>Technical data</b> .....	84
<b>Supervisor level</b> .....	85
Opening the Supervisor level .....	85
Access via code .....	85
Change code .....	85
Demo programme.....	85
Opening the Supervisor level .....	86
Exiting the Supervisor level .....	86
Language.....	86
Brightness .....	86
Time.....	86
Finish tone volume .....	87
Keypad tone .....	87
Welcome tone volume .....	87
Fault alarm.....	88
Memory .....	88
Anti-crease .....	88
Further cooling .....	88
Cooling down temperature.....	88
“Display” switch-off status.....	89
Delay start .....	89
Programme name .....	89
Visibility parameters .....	90
Drying level Cottons .....	90
Drying level Minimum iron .....	90
Drying level Automatic plus.....	90
Drying level Machine iron .....	90
Clean the airways .....	90
Programme packages .....	91
COM mod. selection .....	91
Availability of Miele digital products.....	92
Wi-Fi / LAN .....	92
Network time .....	93
Remote .....	93
Remote Update .....	93
SmartGrid .....	94
Legal information.....	94

# Contents

---

Payment system .....	95
Settings for the payment system .....	95
Feedback signal to pay system .....	95
Payment system lock .....	95
Clear paid signal.....	96
Debounce time .....	96
Payment system overriding time .....	96
Duration Cool air .....	96
Duration Warm air.....	96
FOC programmes.....	96

### Disposal of the packing material

The transport and protective packaging has been selected from materials which are environmentally friendly for disposal, and can normally be recycled.

Recycling the packaging reduces the use of raw materials in the manufacturing process and also reduces the amount of waste in landfill sites. Ensure that any plastic wrappings, bags etc. are disposed of safely and kept out of the reach of babies and young children. Danger of suffocation.

### Disposing of your old appliance

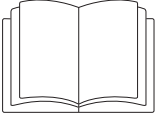
Electrical and electronic appliances often contain valuable materials. They also contain specific materials, compounds and components, which were essential for their correct function and safety. These could be hazardous to human health and to the environment if disposed of with your domestic waste or if handled incorrectly. Please do not, therefore, dispose of your old appliance with your household waste.



Please dispose of it at your local community waste collection / recycling centre for electrical and electronic appliances. You are also responsible for deleting any personal data that may be stored on the appliance prior to disposal. Please ensure that your old appliance poses no risk to children while being stored prior to disposal.

# Warning and Safety instructions

---



- ▶ It is essential to read these instructions.

This tumble dryer complies with all current local and national safety requirements. However, inappropriate use can lead to personal injury and damage to property.

Read the operating instructions carefully before using the tumble dryer. They contain important information on safety, installation, use and maintenance of the appliance. This prevents both personal injury and damage to the tumble dryer.

In accordance with standard IEC 60335-1, Miele expressly and strongly advises that you read and follow the instructions in “Installation”, as well as in the “Warning and Safety instructions”.

Miele cannot be held liable for injury or damage caused by non-compliance with these instructions.

Keep these operating instructions in a safe place and pass them on to any future owner.

When instructing other people how to use the tumble dryer, they must be made aware of these Warning and Safety instructions.

## Correct application

- ▶ The dryer is intended exclusively for drying textiles washed in water which have been labelled as suitable for tumble drying by the manufacturer on the care label. Any other applications may be dangerous. Miele cannot be held liable for damage resulting from incorrect or improper use or operation.



## Warning and Safety instructions

---

- ▶ This tumble dryer is intended for commercial use in small businesses, care homes, sports clubs, hospitals and other similar commercial environments. This machine may also be operated by lay persons in public areas such as laundrettes, communal laundry rooms or similar.
- ▶ This tumble dryer is not suitable for outdoor use.
- ▶ This appliance is not intended for use by persons (including children) with reduced physical, sensory or mental capabilities, or lack of experience or knowledge, unless they are supervised whilst using it or have been shown how to use it in a safe way and understand and recognise the consequences of incorrect operation.
- ▶ Young children must not be allowed to use this appliance.
- ▶ Older children may only use the dryer if its operation has been clearly explained to them and they are able to use it safely. They must be able to understand and recognise the possible dangers caused by incorrect operation.
- ▶ Children must not be allowed to clean or maintain the tumble dryer unsupervised.
- ▶ Children should be supervised in the vicinity of the tumble dryer. Do not allow them to play with the appliance.

# Warning and Safety instructions

---

## Technical safety

- ▶ Before installing the dryer, check it for visible signs of damage. Do not install or use a damaged appliance.
- ▶ Do not make any alterations to the dryer, unless authorised to do so by Miele.
- ▶ Temporary or permanent operation with a self-sufficient or non-mains synchronous energy supply system (e.g. isolated networks, back-up systems) is possible. A requirement for the operation is that the energy supply system complies with all current local and national requirements that apply to stand-alone, solar and/or battery systems.

The protective measures provided in the installation and in this Miele product must also be assured in their function and operation in isolated operation or in non-mains synchronous operation, or replaced with equivalent measures in the installation.
- ▶ Do not connect the dryer to the mains electricity supply by an extension lead. Extension leads do not guarantee the required safety of the appliance (e.g. danger of overheating).
- ▶ If the electrical connection cable is faulty, it must only be replaced by a Miele authorised service technician to protect the user from danger.
- ▶ The electrical safety of this appliance can only be guaranteed when continuity is complete between it and an effective earthing system. It is essential that this standard safety requirement is observed and regularly tested. If in any doubt, have the electrical installation inspected by a qualified electrician. Miele cannot be held liable for the consequences of an inadequate earthing system (e.g. electric shock).
- ▶ Unauthorised repairs could result in unforeseen dangers for the user, for which Miele cannot accept liability. Repairs must only be carried out by a Miele authorised service technician, otherwise any subsequent damage will not be covered by the warranty.

## Warning and Safety instructions

---

- ▶ Faulty components must only be replaced by genuine Miele original spare parts. Miele can only guarantee the safety standards of the machine when Miele replacement parts are used.
- ▶ To ensure the correct performance of the tumble dryer and to prevent malfunctions and fire hazards, it is important to carry out maintenance on a regular basis.
- ▶ In the event of a fault and for cleaning purposes, the tumble dryer must be disconnected from the electricity supply. It is only completely disconnected when:
  - it is switched off at the wall socket or the plug is withdrawn, or
  - the mains fuse is disconnected, or
  - it is switched off at the mains circuit breaker.

For further information see “Installation - Electrical connection”.

- ▶ This tumble dryer must not be installed and operated in mobile locations (e.g. on a ship).
- ▶ Please observe the instructions in “Installation” and “Technical data”.
- ▶ The electrical socket must be easily accessible so that the tumble dryer can be disconnected from the electricity supply.
- ▶ If the appliance is hard wired, adequate provision must be made on site to switch off all poles to disconnect the tumble dryer from the electricity supply. The means of disconnection must be incorporated in the fixed wiring in accordance with the wiring rules.
- ▶ The gap between the bottom of the tumble dryer and the floor must not be blocked with plinth facings, deep pile carpet etc., which would obstruct the openings. This would hinder a sufficient flow of air to the tumble dryer.

## Warning and Safety instructions

---

- ▶ The appliance must not be installed behind a lockable door, a sliding door or a door with a hinge on the opposite side to that of the tumble dryer, in such a way that a full opening of the tumble dryer door is restricted.
- ▶ This tumble dryer is supplied with a special lamp to cope with particular conditions (e.g. relating to temperature, moisture, chemical resistance, abrasion resistance, and vibration). This special lamp must only be used for the purpose for which it is intended. It is not suitable for room lighting. Replacement lamps may only be fitted by a Miele authorised technician or by Miele Professional Service.
- ▶ Information on the heat pump and refrigerant
  - This tumble dryer uses refrigerant gas which is not flammable and not explosive.
  - The humming noises caused by the heat pump during the drying process are normal. They do not impair the correct functioning of the dryer.

 Damage to the tumble dryer by switching it on too soon.

This can damage the heat pump.

After setting up the tumble dryer, wait for at least one hour before switching it on.

- This tumble dryer contains fluorinated greenhouse gases. They are hermetically sealed.  
Designation of refrigerant: R134a  
Amount of refrigerant: 0.61 kg  
Global warming potential of refrigerant: 1430 kg CO<sub>2</sub> e  
Global warming potential of appliance: 872 kg CO<sub>2</sub> e
- ▶ In areas which may be subject to infestation by cockroaches or other vermin, pay particular attention to keeping the appliance and its surroundings in a clean condition at all times. Any damage which may be caused by cockroaches or other vermin will not be covered by the warranty.

## Correct use



**WARNING:  
FLAMMABLE MATERIAL**

⚠ Warning: Risk of fire / Flammable materials.

To avoid the possible danger of fire, please read these warnings carefully.

⚠ A clogged filter is a fire hazard!

The fluff filter must be cleaned after every programme.

- ▶ The maximum load is 7 kg (dry laundry). See the “Programme chart” for the maximum recommended loads for individual programmes.
- ▶ Do not lean on the door. Otherwise, the tumble dryer may tip over, causing injury to yourself or others.
- ▶ Always close the door after use. This way you will avoid the danger of
  - children climbing into the tumble dryer or hiding things in it.
  - pets or other small animals climbing into the tumble dryer.
- ▶ Do not use a pressure washer or high-pressure hose to clean the tumble dryer.

## Warning and Safety instructions

---

► Keep the room where the tumble dryer is located free from dust and fluff. If the air that is taken into the machine contains dirt particles, they can cause blockages. This can lead to faults and create a fire hazard.

## Warning and Safety instructions

---

- ▶ The tumble dryer must not be used
  - without the fluff filters and the filter in the plinth in place.
  - without the bottom right grille fitted.
  - if the fluff filters or the filter in the plinth are damaged in any way. In case of damage, fluff filters and plinth filter must be replaced immediately.

A damaged filter would cause an excessive build-up of fluff which in turn would cause a fault.

- ▶ To ensure problem-free operation of the dryer:
  - Remove the fluff from the filter surfaces and the fluff filters after every drying cycle.
  - In addition, the fluff filters, filter surfaces, the grille at the bottom right and the air passages must be cleaned when prompted by the display.

▶ Do not install the tumble dryer in a room where there is a risk of frost. At temperatures around freezing point, the tumble dryer may not be able to operate properly. There is a risk of damage if the condensed water is allowed to freeze in the pump and drain hose. The permitted room temperature is between 2 °C and 35 °C.

▶ If the water is drained externally, make sure the drain hose is secured against slipping, e.g. if you hang it in a laundry tub or laundry trough.

Otherwise the hose may slip off and the condensation water flowing out may cause damage.

▶ Condensed water is not drinking water.

It can cause health problems in both people and animals if consumed.

## Warning and Safety instructions

---

▶ To prevent the risk of fire, the following textiles must not be dried in the tumble dryer:

- Items which have not been washed.
- Items, such as workwear, which have not been thoroughly cleaned and are still soiled with grease, oil or other deposits (such as cooking oils, cosmetics, lotions, etc.). If items have not been thoroughly cleaned, there is a danger that they might ignite when heated, even after they have been removed from the tumble dryer at the end of the programme.
- Items (e.g. mops and floor cloths) that have been treated with inflammable cleaning agents or which contain residues of acetone, alcohol, benzene, petrol, kerosene, stain remover, turpentine, wax and wax remover or other chemicals.
- Items which have been splashed with hair lacquer, hair spray, nail varnish remover or similar substances.

When washing such heavily soiled items ensure that you use a larger quantity of detergent and select a high temperature. If in doubt, wash the items several times.

▶ Oil-affected items can ignite spontaneously, especially when exposed to heat sources such as in a tumble dryer.

The items become warm, causing an oxidation reaction in the oil. Oxidation creates heat.

If the heat cannot escape, the items can become hot enough to catch fire. Piling, stacking or storing oil-affected items can prevent heat from escaping and so create a fire hazard.

If it is unavoidable that fabrics contaminated with vegetable or cooking oil, or hair care products, be placed in a tumble dryer, they should first be washed in hot water with extra detergent - this will reduce, but not eliminate, the hazard.

▶ Remove all items from pockets (e.g. lighters, matches).



## Warning and Safety instructions

---

▶ **WARNING:** Never switch the tumble dryer off before the end of the drying programme unless all items are removed immediately and spread out to cool down.

▶ Fire hazard!

This tumble dryer must not be connected to a controllable socket (e.g. a timer or a peak-load switch-off device).

The tumble dryer may only be operated with a peak-load device if this is connected to the tumble dryer via the Miele XCI box and the relevant settings have been configured on the tumble dryer.

There is a risk of the laundry self-igniting if the drying programme is cancelled before the cooling phase has finished.

▶ To prevent the risk of fire, the following textiles must never be dried in the tumble dryer:

- Items which have been cleaned using industrial chemicals (e.g. professional dry-cleaning agents).
- Fabrics which contain a large proportion of rubber, foam rubber or rubber-like materials. For example, products made from latex foam rubber, shower caps, waterproof textiles, rubberised articles and items of clothing and pillows with foam rubber filling.
- Fabrics which contain padding or fillings which are damaged (e.g. pillows, jackets). The filling could fall out and cause a fire.

▶ The programme finishes when the cooling phase has been completed. Many programmes are followed by a cooling phase to ensure that the items are not too hot to handle when you remove them (this also reduces the risk of the laundry self-igniting). Make sure that you do not remove the laundry until the programme has finished.

## Warning and Safety instructions

---

- ▶ Fabric softener and similar products must be used according to the instructions on the manufacturer's packaging.
- ▶ Do not store or use petrol, kerosene, paraffin or other flammable substances near the dryer. Risk of fire and explosion!
- ▶ Do not expose the dryer to air which contains chlorine, fluorine or other solvent vapours. This contaminated air can cause a fire.
- ▶ For appliance parts made from stainless steel:  
Avoid contact between stainless steel surfaces and liquid detergents or disinfecting agents containing chlorine or sodium hypochlorite. These agents can cause corrosion on stainless steel. Aggressive chlorine bleach vapours can also be corrosive. Do not store open containers of these agents near the appliance.

### Using a fragrance flacon (optional accessory)


- ▶ Only ever use original Miele fragrance flacons.
- ▶ The fragrance flacon must be stored in its packaging so please make sure you retain this.
- ▶ Make sure that you always keep the fragrance flacon, or the fluff filter with the flacon inserted in it, in a horizontal position when carrying it, and do not tip or place it down on any surface. The fragrance can leak.
- ▶ Use an absorbent cloth immediately to wipe up any fragrance which has run out of the flacon onto the floor, the dryer or any dryer components (e.g. the fluff filter).
- ▶ If fragrance which has run out of a flacon should come in contact with the **skin** - wash the skin thoroughly with soap and water; come in contact with the **eyes** - rinse the eyes with clean water for at least 15 minutes; be swallowed - rinse out the **mouth** thoroughly with clean water. Seek medical advice in the case of contact with the eyes or if fragrance has been swallowed.
- ▶ If fragrance which has run out of a flacon comes in contact with clothing, change the clothing immediately. Wash the clothing or any cloths used for mopping up fragrance thoroughly with plenty of water and detergent.
- ▶ There is the risk of fire or damage to the tumble dryer if the following instructions are not observed:
  - Never refill a flacon with fragrance.
  - Never use a faulty fragrance flacon.
- ▶ Dispose of an empty fragrance flacon with the household waste and never use it for any other purpose.
- ▶ Please also observe the information supplied with the fragrance flacon.

# Warning and Safety instructions

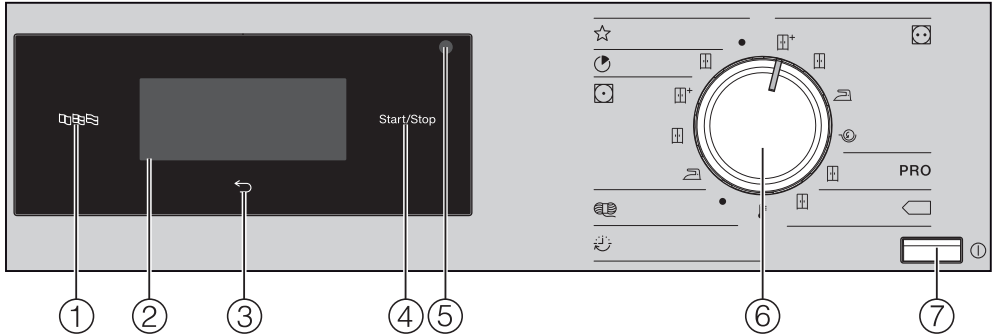
---

## Accessories

- ▶ Only use genuine Miele spare parts and accessories with this machine.  
If spare parts or accessories from other manufacturers are used, any warranty, performance and product liability claims will be invalidated.
- ▶ Miele tumble dryers and Miele washing machines can be installed as a washer-dryer stack. This requires a Miele washer-dryer stacking kit which can be purchased separately. Please ensure that the washer-dryer stacking kit is suitable for your Miele tumble dryer and your Miele washing machine.
- ▶ If you order a plinth for this tumble dryer (available from Miele as an optional accessory), make sure it is the correct one.

 Miele cannot be held liable for damage caused by non-compliance with these Warning and Safety instructions.

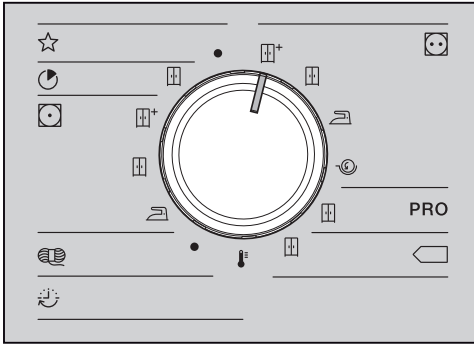
## Control panel



- ① **Language sensor**  
For selecting the current user language in the display.  
After switching the appliance off and back on, the supervisor language is displayed again.
- ② **Touch display with sensors**  
Displays the selected programme.  
The programme settings are selected using the sensors in the touch display.
- ③ **↶ sensor**  
Takes you back one level in the menu.
- ④ **Start/Stop sensor**  
for starting the selected programme and cancelling a programme that has already started
- ⑤ **Optical interface**  
for service technicians
- ⑥ **Programme selector**  
For selecting the drying programmes.  
The programme selector can be turned clockwise or anti-clockwise.
- ⑦ **⏻ button**  
For switching the tumble dryer on and off.  
The tumble dryer switches off automatically to save energy. This occurs 15 minutes after the end of the programme/Anti-crease phase, or after being switched on if no further selection is made.

# Operating the tumble dryer

## Symbols on the control panel



☆	<b>Special programmes</b>
🕒	<b>Express</b>
☐	Normal
☐	<b>Minimum iron</b>
☐+	Normal plus
☐	Normal
👉	Hand iron
🧶	<b>Woollens</b>
😊	<b>Timed drying programme</b>
🌡️	Warm air
☐	<b>Cottons</b>
☐+	Normal plus
☐	Normal
👉	Hand iron
🌀	Machine iron
PRO	<b>Cottons PRO</b>
☐	Normal
◀	<b>Cottons Eco</b>
☐	Normal

## Symbols in the display



**Extras:** Use the *Extras* sensor to add Extras to a drying programme.



**Low temperature:** The *Low temperature* sensor allows you to reduce the mechanical stress placed on the items while drying.



**Anti-crease:** The *Anti-crease* sensor allows you to reduce creasing if the laundry is not removed immediately after the end of a programme.



**Delay start:** Use the *Delay start* sensor to set the start time ...

... or the finish time



... or the time until the programme starts.



**Timed drying programme:** This sensor enables you to select the duration of a timed drying programme.





**Supervisor level:** Use the *Supervisor level* sensor to alter the tumble dryer's settings.



**Information:** This allows you to view the selected options while the drying programme is running.

# Operating the tumble dryer

## Sensors and touch display with sensor controls


The , , and *Start/Stop* sensors and the sensors in the display react to finger tip contact. Every touch of the sensors is confirmed by a keypad tone. You can switch this tone off (see “Supervisor level”).

The control panel with sensors and the touch display can be scratched by pointed or sharp objects, e.g. pens.  
Only touch the display with your fingers.

## Main menu



The main menu for a drying programme displays different values depending on the programme:

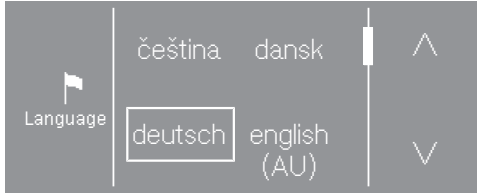
- The programme name of the selected programme with the selected drying level.
- The programme duration.
  - In drying level programmes (e.g. Cottons), the programme duration depends on the drying level selected and the size of the load.
  - For timed drying programmes, the programme duration can be selected freely by touching the  sensor.
- The selected Extras.
- Further options available and the settings in the Supervisor level.



## Examples on how to operate the appliance

### Selection list

The  $\wedge$  and  $\vee$  arrows on the right of the display indicate that further options are available.



The list scrolls down when the  $\vee$  sensor is touched. The list scrolls up when the  $\wedge$  sensor is touched.

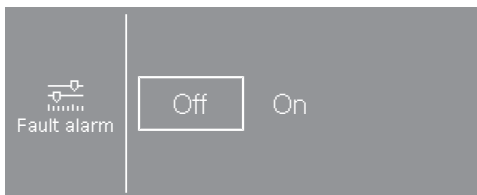
The scroll bar indicates that further options follow.

The currently selected language is marked with a frame.

Touch a language to select it.

### Single selection

If there are no arrows, the selection is limited to the displayed values.



The currently selected value is marked with a frame.

Touch the required value to select it.

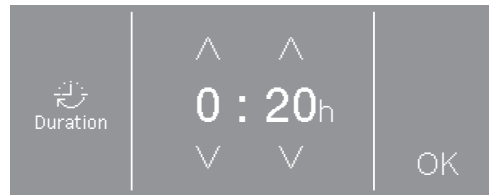
Alternatively, change the value using + and -.



After making your change, touch OK.

### Setting numerical values

To change a numerical value, use the  $\wedge$  and  $\vee$  arrows above or below the numbers you want to change.



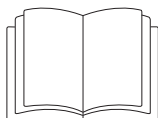
Touch the  $\wedge$  and  $\vee$  arrows and confirm with the OK sensor.

### Exiting a submenu

Select the back  $\leftarrow$  sensor to exit a submenu.

If a value is selected in a submenu but not confirmed with OK, this value is discarded when the  $\leftarrow$  sensor is selected.

## Using for the first time



**⚠ Risk of injury or damage to property due to improper installation.** Improper installation of the tumble dryer may result in personal injury or damage to property.

Before using the tumble dryer for the first time, make sure it has been installed and connected correctly. Please observe the instructions in “Installation”.

**⚠ Damage caused by switching the appliance on too soon.**

This can damage the heat pump. After setting up the tumble dryer, wait for at least one hour before switching it on.

Follow all the steps required for initial commissioning. During the commissioning process, you will need to define the settings for daily use of the tumble dryer. Some of the settings can only be configured during the initial commissioning process. After that, they must be changed by Miele Professional Service.

These settings are also described in “Supervisor level”.

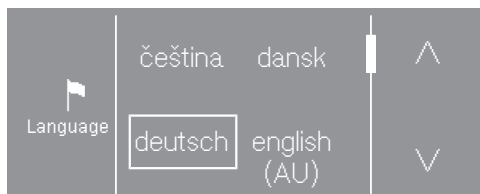
### Switching on the tumble dryer



- Press the  button.

The welcome screen will light up.

### Setting the display language

You will be asked to select the display language (supervisor language). It is possible to change the language at any time via the Supervisor level.

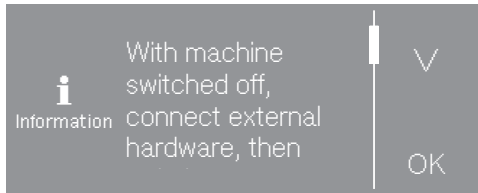


- Touch the  or  sensor until the language you want appears in the display.
- Touch the sensor for the required language.

The selected language is marked with a frame and the display will change to the next setting.

## Reference to external appliances

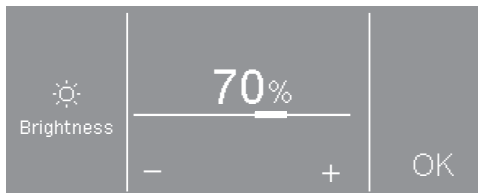
A reference to external hardware appears.



- Touch the ∇ sensor to read all of the text in full.
- Confirm with the OK sensor.

If external hardware is to be connected, connect the XCI box or slide a communication module into the slot on the back of the tumble dryer before the initial commissioning. The dryer must be disconnected from the power supply for this process. Then start the commissioning process.

## Setting the display brightness



- Set the desired brightness with the – and + sensors and confirm your selection with the OK sensor.

The display will change to the next setting.

## Confirming the time query

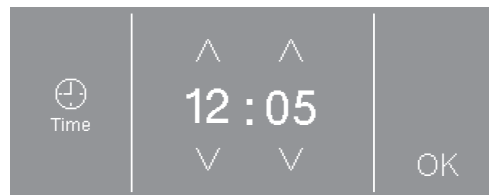


- Touch the Yes or No sensor.

If you select Yes, the system will skip the time setting.

If you select No, the display will switch to the time setting.

## Setting the time of day



- Use the ∇ and ^ sensors to enter the time and confirm your entry with the OK sensor.

The display will change to the next setting.

# Using for the first time

## Selecting programme packages

You can select various programme packages.

The programmes selected from the programme packages are displayed under ☆ *Special programmes*.



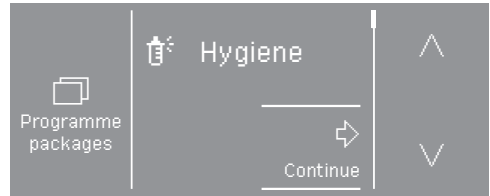
- Touch the ^ or v sensor until the programme package you want appears in the display.
- Touch the sensor of the programme package.

The display shows the associated programmes.

The activated programmes are marked with a frame.



- Touch the sensor for the programmes.
- The programmes are activated (framed) or deactivated (no frame).
- Confirm with the OK sensor.
- The display switches back to the programme packages.



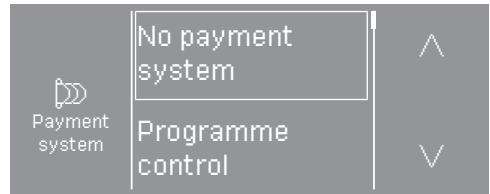
- Select other programme packages or confirm your selection with the Continue sensor.

The display will change to the next setting.

## Setting up a payment system

This option allows you to set up an existing payment system.

If you do not wish to set up a payment system:



- Touch the No payment system sensor.
- Continue reading from “Completing the commissioning process” in “Using for the first time”.

If you wish to set up a payment system:

These settings can only be changed during the initial commissioning process. If you wish to change the settings later, please contact Miele.


- Touch the v sensor repeatedly until the required setting appears.
- Touch the sensor for the setting you want.


## Using for the first time

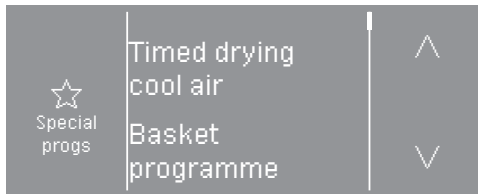
The process for setting up a payment system is described in “Supervisor level - Payment system”.



### Completing the commissioning process

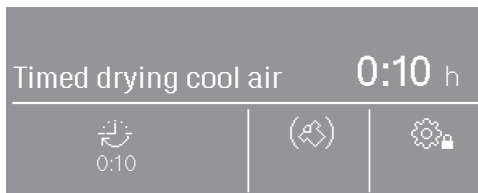
The commissioning process is completed when a programme lasting longer than 20 minutes has been carried out in full.

If the power is interrupted prior to the start of the first drying programme (e.g. if the machine is switched off with the  button), the initial commissioning process can be completed again. Once a drying programme has been running for over 20 minutes, the initial commissioning process cannot be carried out again.

- Turn the programme selector to  *Special programmes*.




- Touch the  or  sensor until Timed drying cool air appears.
- Touch the Timed drying cool air sensor.



- Touch the  sensor.



- Touch the  sensor at the top right until 0:20 appears.
- Touch the OK sensor.
- Touch the flashing *Start/Stop* sensor.


After the programme has finished, the tumble dryer is ready for use.

# 1. Notes on correct laundry care

## Washing


- Wash heavily soiled laundry thoroughly. Ensure that you use sufficient detergent and select a high temperature. If in doubt, wash the items several times.
- New, coloured items should be washed thoroughly and separately. Do not dry these garments together with light coloured garments. There is the risk of colours running and discolouring other garments or even plastic components in the tumble dryer. Dark coloured fluff can also settle on light coloured garments and vice versa.

## Drying

 Damage due to foreign objects which were not removed from the laundry.

Foreign objects can melt, burn, or explode.

Ensure that any foreign objects (e.g. detergent dispensing balls, lighters, etc.) have been removed from the laundry.

 Risk of fire due to incorrect use and operation.








The laundry can burn and destroy the dryer and the surroundings.

See “Warning and Safety instructions” for further information.

- Check seams and stitching to ensure that padding and linings are intact. This way you can prevent fillings from falling out, which could create a fire hazard.

- Sew in or remove loosened underwiring from bras.

## Care label symbols

Drying	
	normal/higher temperature*
	reduced temperature*
* In this tumble dryer, items with these symbols can be dried together thanks to the gentle drying process.	
	Do not tumble dry
Ironing	
	very hot
	hot
	warm
	Do not iron

## 2. Loading the tumble dryer

### Loading the laundry

Textiles may be damaged.  
Before loading the dryer, read “1. Notes on correct laundry care”.



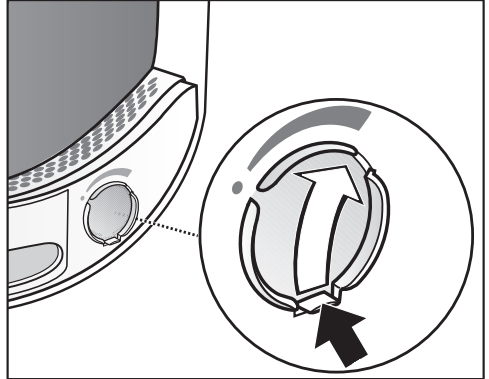
- Open the door.
- Load the laundry.

Textiles may be damaged.  
When closing the door, make sure that laundry does not get trapped in the door opening.

Do not overload the drum.  
Overloading can cause unnecessary wear and tear to the laundry and give a disappointing drying result. It can also cause more creasing.

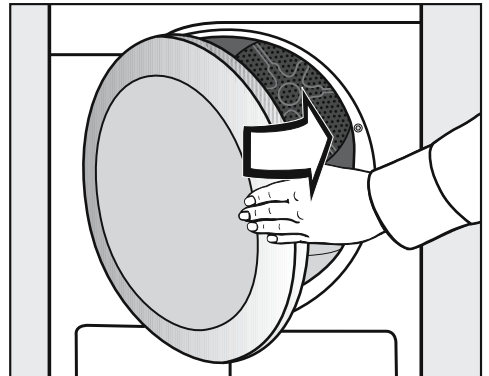
### Socket for the fragrance flacon

See the section “Fragrance flacon” for information on how to use fragrance flacons.



If you are not using a fragrance flacon:  
Push the tab down completely (see arrow) so that the socket is closed.  
Otherwise, fluff will accumulate here.

### Closing the door



- Shut the door with a gentle swing.

### 3. Selecting a programme

#### Switching on the tumble dryer

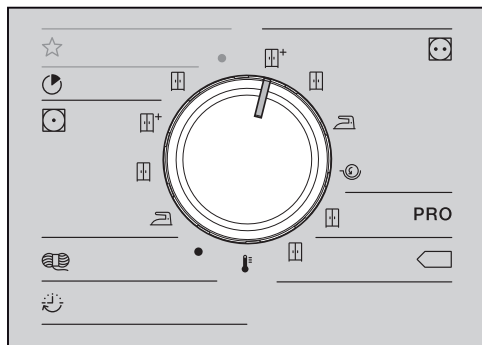
- Press the ⏻ button.

The interior drum lighting will come on.

The interior drum lighting will automatically go out after a few minutes and/or after the start of a programme to save energy.

#### Selecting a programme

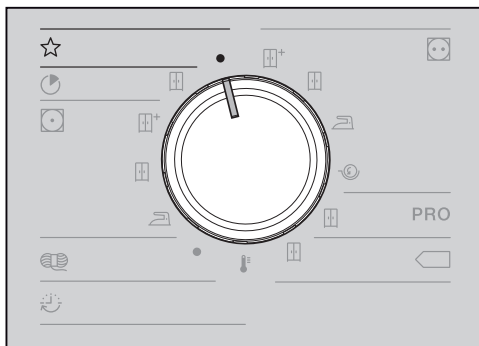
##### Selecting standard programmes with the programme selector



- Turn the programme selector to the required programme.

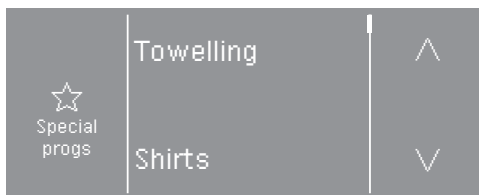
The display will change to the main menu for that programme.

##### Selecting special programmes via the ☆ programme selector position



- Turn the programme selector.

You can select the required programme via the display.



- Touch the ^ or v sensor until the programme you want appears in the display.

- Touch the sensor for that programme.

The display will change to the main menu for that programme.



## 4. Selecting programme settings

### Main menu for a programme

#### Selecting the drying level

The preset drying level can be changed for many programmes. Different drying levels are available depending on the programme.

- For standard programmes, you can select the drying level directly using the programme selector.
  - For some programmes in the ☆ *Special programmes*, you can change the drying level via the display.
- Select a programme from the ☆ *Special programmes*.



Underneath the ☞ symbol, another symbol displays the preset drying level (example shows ☞ *Normal*).

- Touch the ☞ sensor.



- Touch the - or + sensor to change the drying level.
- Touch the OK sensor.

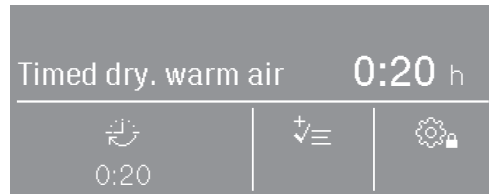
#### Selecting the duration (timed drying programmes)

You can select the programme duration yourself.\*

\* The time frame for selecting the programme duration can be limited by Miele Professional Service.

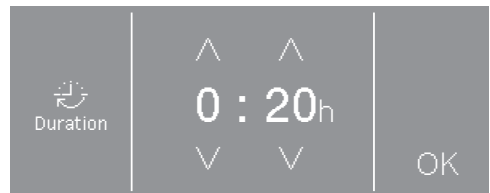
- Timed drying warm air = 0:20-2:00 hours
- Timed drying cool air = 0:10-2:00 hours
- Basket programme = 0:20-1:30 hours
- Timed drying warm air, hygiene = 0:50-2:00 hours

- Select one of these programmes.



The preset duration appears under the ⌚ symbol (in this example 0:20 minutes).

- Touch the ⌚ sensor.



- Touch the ^ or v sensor to select the hours and/or minutes.
- Touch the OK sensor.



## 4. Selecting programme settings

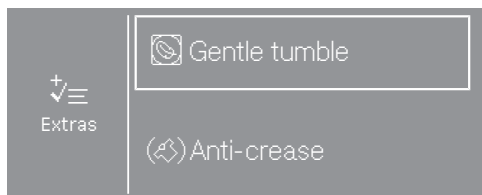
### Selecting Extras

The drying programmes can be supplemented with various Extras.



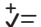
- Touch the  sensor.

If the  or  symbol appears, this means that only one Extra can be selected. The message *Active* also appears after the sensor has been touched.



- Touch the sensor for the Extra you want.



The symbol for the selected Extra lights up under the  sensor.

Not all Extras can be selected with every programme, only with those for which it makes sense.

### Gentle tumble

Sensitive items are dried with less mechanical action (fewer drum rotations).


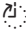

### Anti-crease

After the programme has finished, the drum can be set to continue to rotate in a certain rhythm, depending on the selected programme. This helps to prevent creasing after the programme has ended.

The Anti-crease function is switched off at the factory. It can be switched on in the Supervisor level with a variable duration of up to 12 hours.

## 4. Selecting programme settings

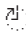


### Selecting Delay start

Delay start must be activated in the Supervisor level for it to be able to be selected. In this case, one of these 3 symbols will also light up in the display: , , .



- Touch the sensor with the clock symbol.

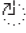

Depending on the Delay start settings in the Supervisor level, different delays can be selected in 15-minute increments:

- The programme finish time:  Finish at
- The programme start time:  Start at
- The time until the programme starts:  Start in

The maximum Delay start period is 24 hours. The left-hand side of the display shows what you are able to enter.



- Touch the  $\wedge$  or  $\vee$  sensor to select the hours and/or minutes.
- Touch the OK sensor.

If the Delay start time is set to  Finish at or  Start at, the current times will be displayed.

- Touch the OK sensor.

Delay start begins when you start the programme.

### Changing/cancelling Delay start

#### Before the programme starts

- Touch the sensor with the clock symbol.
- You can change or delete the time.

#### After the programme has started

- Touch the *Start/Stop* sensor.
- You can either cancel the programme or start it straight away.

## 5. Starting a programme

---

### Payment system

**Useful tip:** If your machine is connected to a payment system, the amount of payment required will appear in the display.

Do not open the door or cancel the programme once it has started. Depending on the settings, credit with the payment system may be lost if the programme is cancelled.

### Starting a programme

The programme can be started once the *Start/Stop* sensor is flashing on and off.

- Touch the *Start/Stop* sensor.

The drying programme starts. The *Start/Stop* sensor lights up.

If a Delay start time has been selected, this starts to count down before the drying programme starts automatically.

☺☺☺ Drying and the time left for the drying programme are displayed.

The drying level reached is displayed if a drying level programme is running.

**Useful tip:** Touching the **i** sensor allows you to display the options selected.

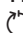
### Programme duration/estimated time remaining

The programme duration depends on the quantity of laundry, the type of fabric and the residual moisture in the laundry, and also the water hardness. For this reason, the time left for the drying level programmes may vary or “jump”. The tumble dryer’s electronic control system adapts to these factors and then adjusts the displayed duration with increasing accuracy.

## 6. End of programme - unloading the drum

### At the end of the programme

The laundry is cooled down shortly before the end of the programme. The laundry can then be removed.

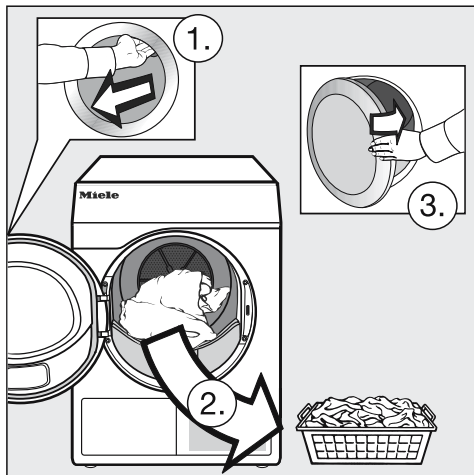
The programme has ended when only  Finish is displayed in the display.

If *Anti-crease* (🌀)\* has been selected, the drum will rotate in intervals. This reduces creasing if the laundry cannot be removed straight away.

The Anti-crease function is switched off at the factory.

The tumble dryer switches off automatically 15 minutes after the end of the programme.

### Removing the laundry



- Open the door.
- Make sure that you empty the drum completely.

Items left in the dryer could be damaged by overdrying when the dryer is used the next time. Always remove all items from the drum.

- Switch the tumble dryer off.

### Observing care instructions












This tumble dryer requires regular maintenance, particularly if it is used on a continuous basis.

**Useful tip:** See “Cleaning and care”. Read the section “Observing cleaning intervals” first.







# Programme chart

All weights marked with \* are based on the weight of dry laundry.

## Standard programmes

 <b>Cottons</b> <span style="float: right;"><b>Max. load 7 kg*</b></span>	
 <b>Normal plus</b> ,  <b>Normal</b>	
Items	<ul style="list-style-type: none"> <li>- Single and multi-layered cotton fabrics.</li> <li>- Towelling, bathrobes, T-shirts, underwear, jersey/terry bed linen, baby clothes.</li> <li>- Workwear, jackets, cotton blankets, aprons, tea towels, bed linen, towels, overalls, table linen.</li> </ul>
Notes	Do not overdry jersey fabrics (e.g. T-shirts, underwear, baby clothes) as they have a tendency to shrink.
 <b>Hand iron</b> ,  <b>Machine iron</b>	
Items	<ul style="list-style-type: none"> <li>- Cotton and linen fabrics.</li> <li>- Table linen, bed linen, or starched laundry.</li> </ul>
Notes	To prevent laundry from drying out, it should be rolled up until you are ready for ironing.
 <b>PRO Cottons PRO</b> <span style="float: right;"><b>Max. load 7 kg*</b></span>	
Items	Cotton items such as those described under <i>Cottons Normal</i> with normal residual moisture.
Notes	This programme dries to the  <i>Normal level</i> only.
 <b>Cottons Eco</b> <span style="float: right;"><b>Max. load 7 kg*</b></span>	
Items	Cotton items such as those described under <i>Cottons Normal</i> with normal residual moisture.
Notes	<ul style="list-style-type: none"> <li>- This programme dries to the  <i>Normal level</i> only.</li> <li>- The  programme is shorter than the Cottons PRO programme for drying cotton items with normal residual moisture levels.</li> </ul>
 <b>Express</b> <span style="float: right;"><b>Max. load 4 kg*</b></span>	
Items	Hard-wearing textiles suitable for the <i>Cottons</i> programme with the <i>Normal</i> drying level.
Notes	This programme is shorter compared to the <i>Cottons</i> programme.

## Programme chart

 <b>Minimum iron</b> <span style="float: right;"><b>Max. load 4 kg*</b></span>	
 <b>Normal plus</b> ,  <b>Normal</b> ,  <b>Hand iron</b>	
Items	<ul style="list-style-type: none"> <li>- Minimum iron items made of cotton, synthetic, or mixed fibre.</li> <li>- Workwear, overalls, pullovers, dresses, trousers, leggings and table linen.</li> </ul>
 <b>Woolens</b> <span style="float: right;"><b>Max. load 2 kg*</b></span>	
Items	Woollen garments and textiles containing wool blends, e.g. pullovers, cardigans, stockings.
Notes	<ul style="list-style-type: none"> <li>- Wool and wool blend items are only fluffed up; they are not dried completely.</li> <li>- Remove items as soon as the programme has finished and leave to finish drying at room temperature.</li> </ul>
 <b>Timed drying warm air</b> <span style="float: right;"><b>Max. load 7 kg*</b></span>	
Items	<ul style="list-style-type: none"> <li>- Jackets, sleeping bags, pillows and other voluminous items.</li> <li>- Fabrics made up of multiple layers, e.g. heavy cotton table cloths.</li> <li>- Individual items of laundry, e.g. towels, swimwear, tea towels.</li> </ul>
Notes	<ul style="list-style-type: none"> <li>- For finishing drying multi-layered or voluminous items that dry unevenly due to their composition.</li> <li>- For drying a small number of individual garments.</li> <li>- Do not select the longest drying time to start with. Check the items as you are drying them to find the optimal time.</li> </ul>

# Programme chart

## ☆ Special programmes

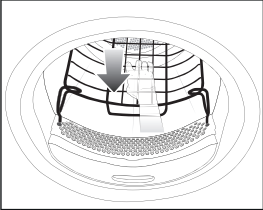
<b>Towelling</b>		<b>Max. load 7 kg*</b>
Items	Large quantities of single-layered and multi-layered towelling items. These include towels, bath robes, face washers, terry bed linen.	
Notes	This programme only dries to the <i>Normal plus</i> level.	
<b>Shirts</b>		<b>Max. load 2 kg*</b>
<b>Normal, Hand iron plus</b>		
Items	Shirts and blouses.	
<b>Delicates</b>		<b>Max. load 4 kg*</b>
<b>Normal plus, Normal, Hand iron plus</b>		
Items	<ul style="list-style-type: none"> <li>- Delicate items made of cotton, synthetic, or mixed fibre.</li> <li>- Lightweight pullovers, dresses, trousers, overalls, table cloths, shirts and blouses.</li> <li>- Lingerie and appliquéd fabrics.</li> </ul>	
Notes	Less creasing occurs in this programme.	
Notes	Reducing the load will further reduce creasing.	
<b>Gentle smoothing</b>		<b>Max. load 1 kg*</b>
<b>Normal, Hand iron plus</b>		
Items	<ul style="list-style-type: none"> <li>- Cotton and linen fabrics.</li> <li>- Minimum iron items made of cotton, synthetic or mixed fibre, e.g. trousers, jackets, shirts.</li> </ul>	
Notes	<ul style="list-style-type: none"> <li>- This programme smooths out creasing caused during the spin cycle in the washing machine.</li> <li>- Items are not dried completely. Remove items as soon as the programme has finished and leave to finish drying at room temperature.</li> <li>- Also suitable for dry laundry that is smoothed in a fixed time interval.</li> </ul>	
<b>Denim</b>		<b>Max. load 3.5 kg*</b>
<b>Normal, Hand iron plus</b>		
Items	Denim jackets, jeans, shirts, and skirts.	



## Programme chart

<b>Silks</b>		<b>Max. load 1 kg*</b>
Items	Silk garments which are suitable for drying in a tumble dryer, e.g. blouses and shirts.	
Notes	<ul style="list-style-type: none"> <li>- Programme for reduced creasing.</li> <li>- Items are not dried completely.</li> <li>- Remove garments as soon as the programme has finished.</li> </ul>	
<b>Automatic plus</b>		<b>Max. load 5 kg*</b>
<b>Normal plus, Normal, Hand iron plus</b>		
Items	Mixed loads of garments suitable for the <i>Cottons</i> and <i>Minimum iron</i> programmes.	
<b>Microfibre</b>		<b>Max. load 7 kg*</b>
<b>Normal plus, Normal</b>		
Items	Microfibre mops and cleaning cloths.	
<b>Timed drying cool air</b>		<b>Max. load 7 kg*</b>
Items	Items which only need airing.	

# Programme chart

<b>Basket programme</b>	<b>Max. load for basket 3.5 kg</b>
Textiles/ items	<ul style="list-style-type: none"><li>- Use this programme to dry or air items which are suitable for drying in a tumble dryer but which are not suitable for drying using mechanical action.</li></ul>
Notes	<ul style="list-style-type: none"><li>- This programme may only be used with the Miele tumble dryer basket (optional accessory).</li><li>- The drum is not rotated in this programme.</li><li>- A satisfactory drying result cannot be achieved without the drying basket.</li><li>- It is essential to observe the operating instructions for the drying basket.</li></ul>  A technical line drawing of the Miele tumble dryer basket. The basket is shown from a top-down perspective, revealing its circular shape and the internal structure of curved ribs. A central vertical support is visible, and a downward-pointing arrow indicates the placement of items within the basket. The drawing is enclosed in a rectangular frame.

## Programme packages

You can select various programme packages.

The programmes selected from the programme packages are displayed under ☆ *Special programmes*.

### Sport

<b>Sportswear</b>		<b>Max. load 3 kg*</b>
Items	Sportswear which is suitable for drying in a tumble dryer.	
Notes	This programme only dries to the <i>Normal</i> level.	
<b>Outerwear</b>		<b>Max. load 2.5 kg*</b>
<b>Normal, Hand iron plus</b>		
Items	Outerwear which is suitable for drying in a tumble dryer.	
<b>Proofing</b>		<b>Max. load 2.5 kg*</b>
Items	Microfibre fabric, ski wear, outerwear, fine close weave cotton garments (poplin), or tablecloths which are suitable for drying in a tumble dryer and have been treated to provide a water and dirt-resistant finish.	
Notes	<ul style="list-style-type: none"> <li>- This programme includes a proofing fixing phase.</li> <li>- Only use proofing agents which are stated by the manufacturer as being “suitable for use on membrane textiles”. These agents contain fluorochemical compounds.</li> <li>- Do not dry items which have been treated with proofing agents containing paraffin. This substance is a fire hazard.</li> <li>- This programme only dries to the <i>Normal</i> level.</li> </ul>	

# Programme chart

---

## Home textiles

<b>Down bedding</b>		<b>Max. load 2 kg*</b>
Items	Bedding suitable for tumble drying (duvets or pillows filled with down or feathers).	
Notes	This programme only dries to the <i>Normal</i> level.	
Notes	Feathers are a natural product and may develop odours when exposed to heat. Allow bedding to air outside the dryer after drying.	
<b>Synthetic bedding</b>		<b>Max. load 2 kg*</b>
Items	Bedding suitable for tumble drying (duvets or pillows filled with synthetic fillings).	
Notes	This programme only dries to the <i>Normal</i> level.	
<b>Large items</b>		<b>Max. load 4 kg*</b>
<b>Normal plus, Normal, Hand iron, Machine iron</b>		
Items	Hard-wearing, large textiles suitable for the <i>Cottons</i> programme. These include day blankets, multi-layered covers, large voluminous items.	

## Hygiene

In the hygiene programmes, items will be dried with a temperature that is constant over an extended period (longer temperature holding time). This temperature holding time kills off micro-organisms such as germs or dust mites and reduces allergens in the laundry.

If a hygiene programme is cancelled early, micro-organisms will not be killed. Do not interrupt the programme.

<b>Cottons hygiene</b>		<b>Max. load 4 kg*</b>
Items	Cotton or linen items that come into direct contact with the skin. These include underwear, baby clothes, bed linen, towels, bathrobes, spa towels and face washers.	
Notes	This programme only dries to the <i>Normal</i> level.	
<b>Minimum iron hygiene</b>		<b>Max. load 4 kg*</b>
Items	<ul style="list-style-type: none"> <li>- Minimum iron items made of cotton, synthetic, or mixed fibre.</li> <li>- Workwear, overalls, pullovers, dresses, trousers, leggings and table linen.</li> </ul>	
Notes	This programme only dries to the <i>Normal</i> level.	
<b>Timed drying warm air, hygiene</b>		<b>Max. load 4 kg*</b>
Items	<ul style="list-style-type: none"> <li>- Jackets, sleeping bags, pillows and other voluminous items.</li> <li>- Heavy, multi-layered cottons, e.g. table cloths or blankets.</li> </ul>	
Notes	<ul style="list-style-type: none"> <li>- For finishing drying multi-layered or voluminous items that dry unevenly due to their composition.</li> <li>- For drying a small number of individual garments.</li> <li>- Do not select the longest drying time to start with. Check the items as you are drying them to find the optimal time.</li> </ul>	

# Changing the programme sequence


## Payment system

Opening the door or cancelling the programme after it has started may result in a loss of credit (depending on the settings\*).

\* Either during the commissioning process or subsequently by Miele Professional Service, a time period can be set during which a programme change is permitted.

## Changing a programme after it has started

Programme selection is no longer possible (protection against unintentional changes). If you want to select a new programme, you must first cancel the running programme.

 Risk of fire due to incorrect use and operation.

The laundry can burn and destroy the dryer and the surroundings.

See “Warning and Safety instructions” for further information.

Programme selection not possible will appear if the programme selector is moved. The text disappears when the programme selector is set to the original programme.

## Cancelling a programme

- Touch the *Start/Stop* sensor.

You will be asked in the display whether you want to cancel the programme.

- Touch the *Yes* sensor.


## Reselecting a cancelled programme

- Open and close the door.

- Select and start a new programme.


## Adding or removing laundry

- Open the door.

 Risk of burning when touching hot laundry in the drum.  
You could burn yourself.  
Let the laundry cool down and remove it carefully.

- Add or remove laundry.
- Close the door.
- Start the programme.

## Interruption to the power supply

If the power supply was interrupted because the tumble dryer was switched off with the  button:

- Switch the tumble dryer back on.
- Touch the *Start/Stop* sensor.

If the programme was interrupted by a power cut:


- When power is restored, you need to confirm with *OK*.
- Touch the *Start/Stop* sensor.

## Remaining programme time

Altering the programme sequence can cause the programme duration shown in the display to “jump”.

## Inserting a fragrance flacon

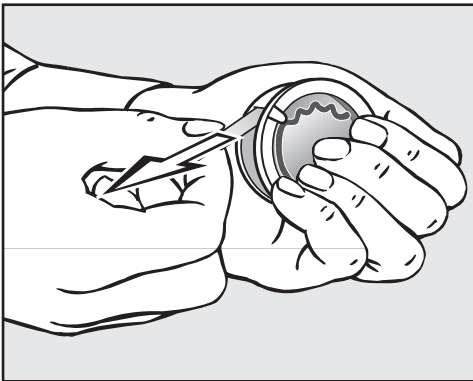
Fragrance flacons (optional accessories) can be used to give your laundry a pleasant scent.

 Risk of fire and harm to health if fragrance flacons are used incorrectly.

Leaked fragrance can be harmful to your health if it comes in contact with the body. Leaked fragrance can cause a fire.

Before using a fragrance flacon, please read the section “Using a fragrance flacon (optional accessory)” in the Warning and Safety instructions.

Only hold the fragrance flacon as illustrated. Do not hold it at an angle or tip it as the fragrance will leak out.

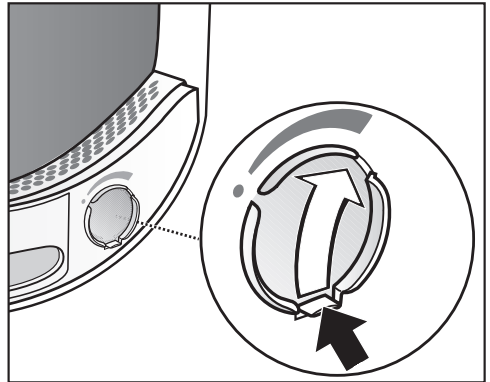


- Hold the fragrance flacon securely so that you do not open it by mistake.
- Pull off the protective seal.
- Open the door of the tumble dryer.

The fragrance flacon is inserted in the upper fluff filter. The socket is next to the recessed grip.

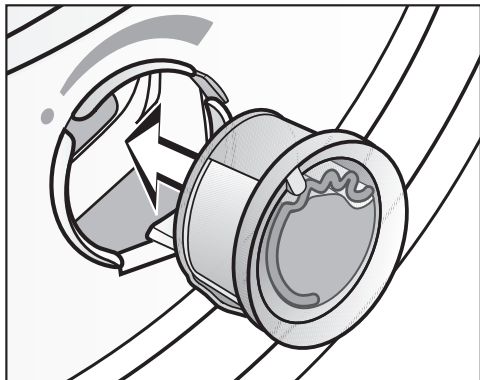
To prevent the accumulation of fluff, the cover of the unused socket must remain closed.

Push the tab of the cover all the way down (see arrow).

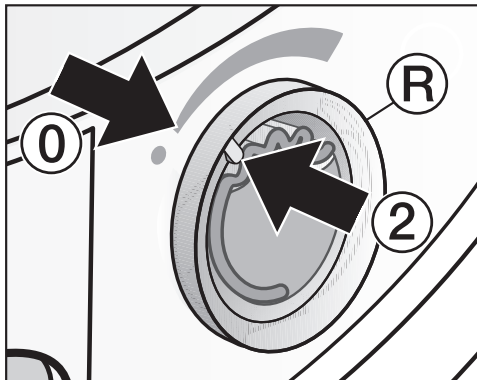


- Open the cover using the tab until the tab is right at the top as shown.

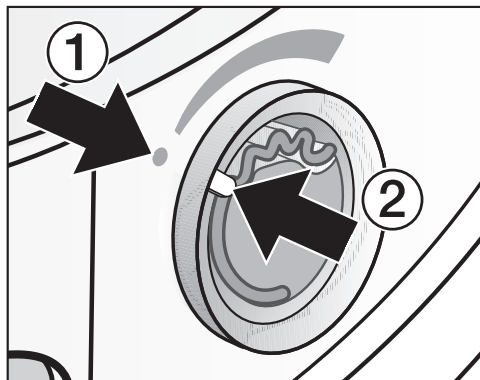
## Fragrance flacon



- Insert the fragrance flacon in the opening as far as it will go.



- Turn the outer ring **®** clockwise a little.



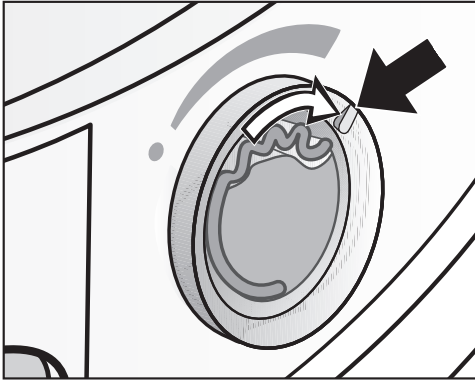
Markers ① and ② must line up with each other.

The fragrance flacon can slip out.  
Turn the outer ring so that markers ② and ① line up.



## Opening the fragrance flacon

Before drying, you can select the intensity of the fragrance.

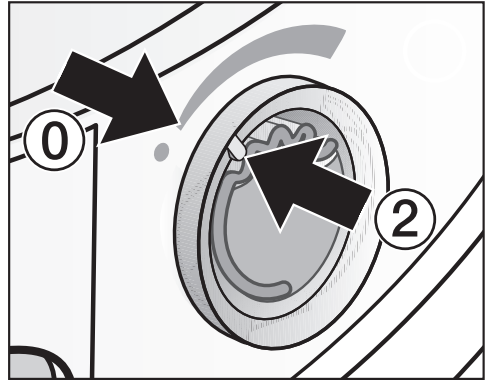


- Turn the outer ring clockwise: the further you open the fragrance flacon, the more intense the fragrance.

The fragrance is only released into the laundry effectively with damp laundry and longer drying times with sufficient heat transfer. The fragrance will also be noticeable in the room air during the drying process. Fragrance is generally not released in the *Timed drying cool air* programme.

## Closing the fragrance flacon

After drying, the fragrance flacon should be closed to prevent the fragrance from escaping needlessly.



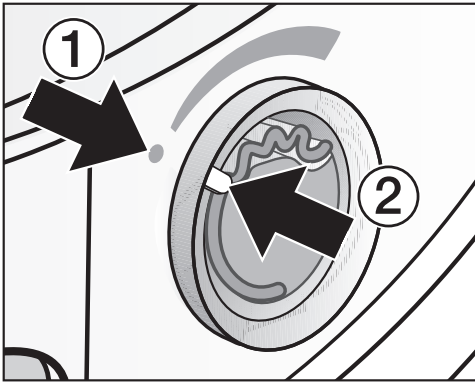
- Turn the outer ring anti-clockwise until marker ② is in position ①.

If you wish to dry without the fragrance flacon: Remove the fragrance flacon and store it in its original packaging.

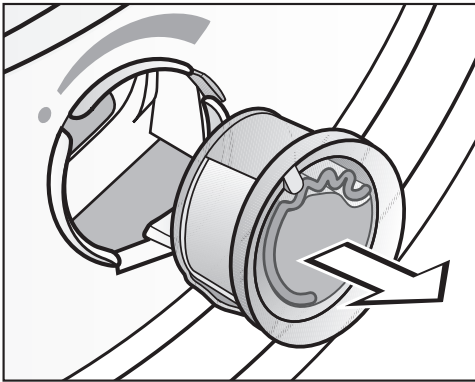
When the intensity of the fragrance is no longer sufficient, replace the fragrance flacon with a new one.

# Fragrance flacon

## Removing/replacing the fragrance flacon



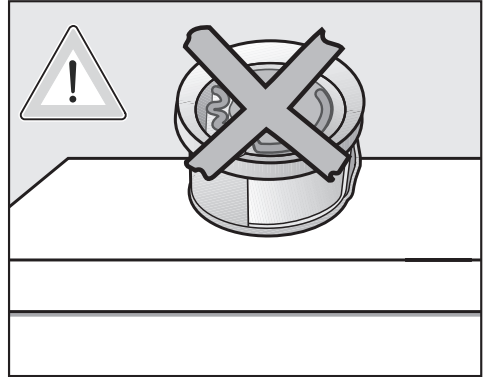
- Turn the outer ring anti-clockwise until markers ① and ② line up.



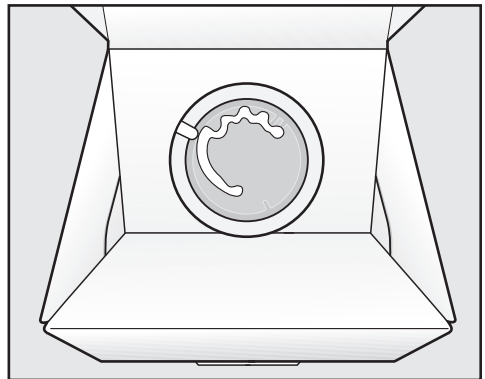
- Replace the fragrance flacon with a new one.

When not in use, you can store the fragrance flacon in its original packaging.

Fragrance flacons are available to order from Miele or via the Miele online shop ([shop.miele.com](http://shop.miele.com)).



Fragrance can leak. Do not lay the fragrance flacon down.



- If you are keeping the fragrance flacon in its original packaging, do not store the packaging upright on its edge or upside down. Otherwise, the fragrance will leak out.
- Always store in a cool, dry place away from direct sunlight.
- When purchasing new fragrance flacons, only remove the protective seal just before use.

## Cleaning interval

This tumble dryer is equipped with a multi-stage filter system, which consists of fluff filters (1.) and a filter in the plinth (2.).

This filter system collects all fluff generated during the drying process.

Failure to clean the filters regularly could increase drying times.

**⚠ Fire hazard due to irregular maintenance.**

Too many fluff deposits in the filter system and tumble dryer pose a fire hazard.

Check the filter system and the air flow openings on a regular basis. Clean the filters if you find any fluff deposits.

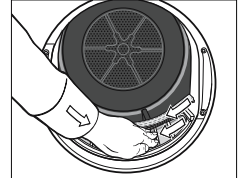
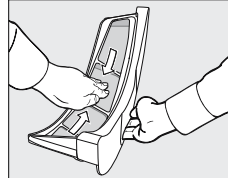
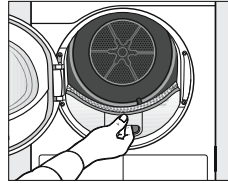
**⚠ Damage caused by a missing or damaged filter system.**

Too many fluff deposits in the filter system and tumble dryer will increase the risk of appliance malfunctions and cause a fire hazard.

Never use the tumble dryer without the filter system. Always replace a damaged filter system immediately.

## 1. When to clean the fluff filters

The fluff filters are located in the drum loading area.



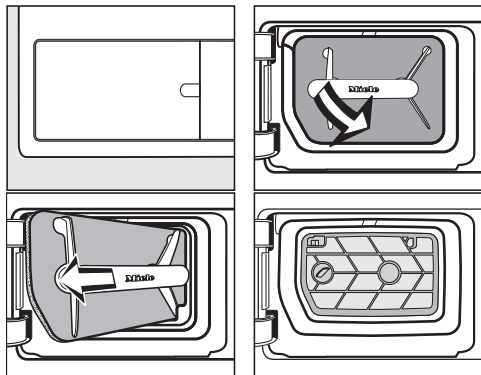
Clean the filters after every programme and always clean them when the following prompt appears in the display: Clean the fluff filter and rinse the plinth filter..

- To delete the message: Touch the OK sensor.

## Cleaning and care

### 2. When to clean the filter in the plinth

The filter in the plinth is behind the fluff filter flap on the bottom left.



#### With normal use


Clean the filter when this prompt appears in the display: Clean the fluff filter and rinse the plinth filter..

#### With continuous use

Clean once a day and also when the prompt appears in the display.

The surface of the filter in the filter insert is visible after removing the plinth filter. This filter surface also has to be cleaned.

- To delete the message: Touch the OK sensor.

 Damage caused by insufficient cleaning or by operation with a worn, damaged filter in the plinth.

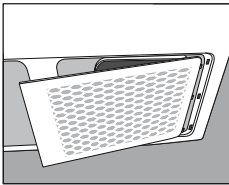
There is insufficient flow of air and heat exchange in the heat exchanger, as it is clogged. This requires a visit from Miele Professional Service.

This can be avoided by following the advice in these operating instructions.

### 3. When to clean the grille on the bottom right/heat exchanger for heat dissipation

Clean when Open bottom right grille, clean the heat exchanger appears in the display.

The bottom right grille can be removed. It covers the heat exchanger for heat dissipation.



- Keep the room where the tumble dryer is located free from dust and fluff. Doing so will mean that you will rarely have to clean the grille.
- See "Cleaning the bottom right grille/heat exchanger".
- Also check and clean the filter in the plinth and the surfaces of the fluff filters.
- To delete the message: Touch the OK sensor.

### Cleaning the filters

This tumble dryer has 2 fluff filters in the drum loading area. The upper and lower fluff filters trap fluff produced during the drying process.

#### Removing the fragrance flacon

The intensity of the fragrance will be diminished if the fluff filters and the plinth filter are not cleaned.

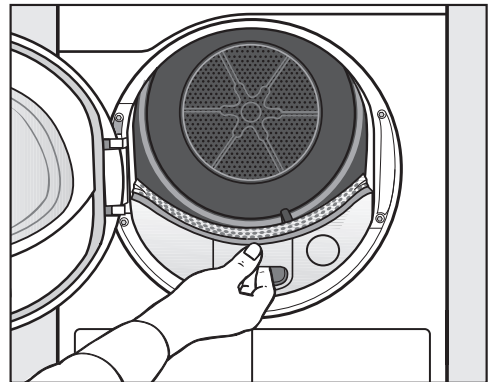
- Remove the fragrance flacon as described in "Removing/replacing the fragrance flacon" under "Fragrance flacons".

#### Removing visible fluff

Remove any fluff after every drying cycle.

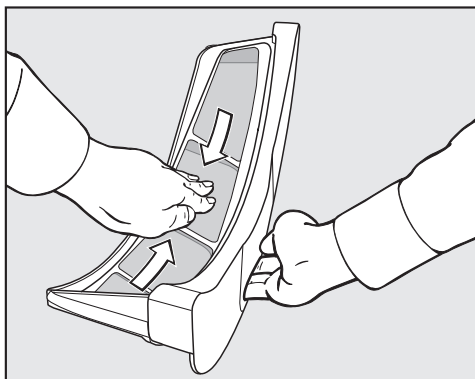
**Useful tip:** You can also use a vacuum cleaner so that you can remove the fluff without touching it.

- Open the door.

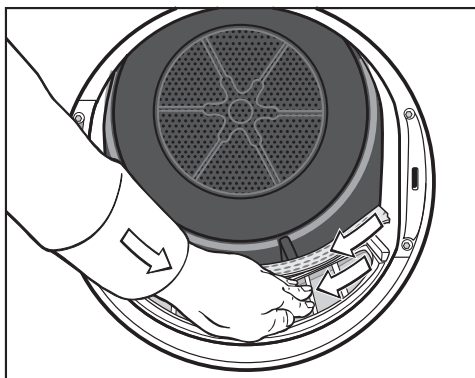


- Pull the upper fluff filter forward to remove it.

## Cleaning and care



- Remove the fluff (see arrows).



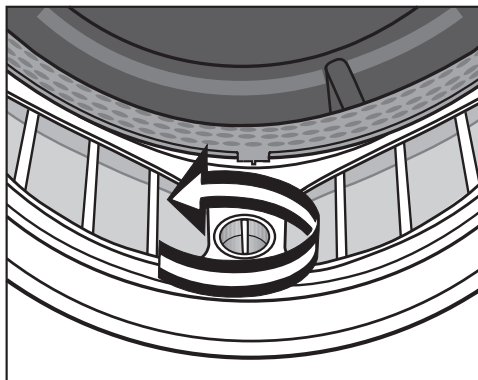
- Remove the fluff (see arrows) from the filter surface of all the fluff filters and the perforated laundry deflector.
- Push the upper fluff filter back in until it clicks into position.
- Close the door.

### Cleaning the fluff filters and air flow openings thoroughly

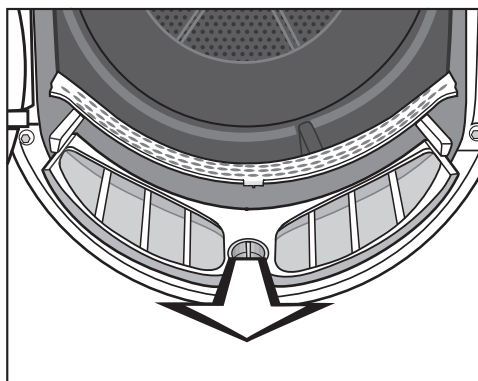
If the drying duration has become longer or the surface of the filters is visibly compacted with fluff, you should carry out the following cleaning procedure.

### Cleaning the fluff filters dry

- Pull the upper fluff filter forward to remove it.



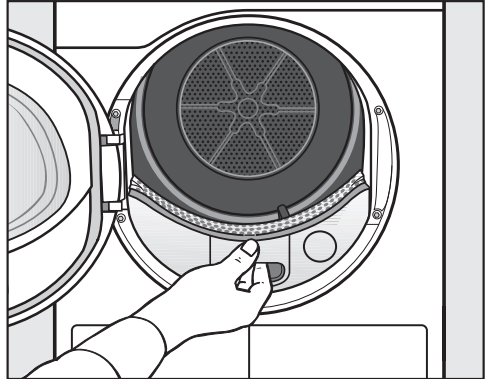
- Turn the yellow dial on the lower fluff filter in the direction of the arrow until you hear it click.



- Pull the fluff filter forward to remove it.



- Push the lower fluff filter in completely and lock it with the yellow dial.



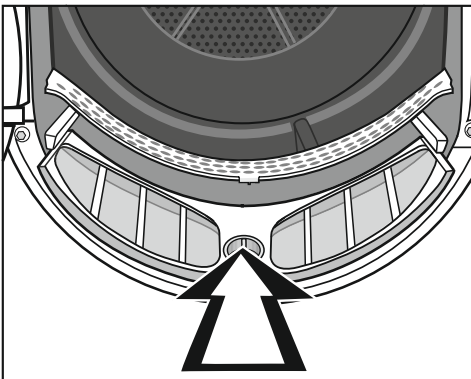
- Push the upper fluff filter in completely.
- Close the door.

- Use a vacuum cleaner with a long crevice nozzle attached to remove any visible fluff from the upper air flow openings.

### Cleaning the fluff filters with water

- Rinse the filters with warm running water.
- Wipe the smooth plastic surfaces of the fluff filters with a damp cloth to clean them.

Ensure the filters are dry before replacing them. Damp or wet filters can cause operational faults. Shake the fluff filters thoroughly and then dry them carefully.

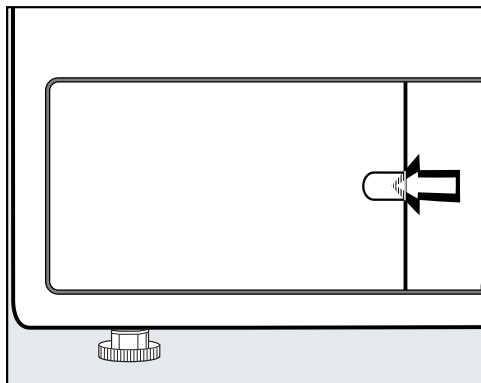


# Cleaning and care

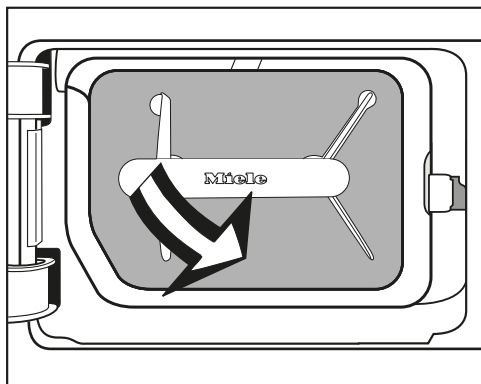
## Cleaning the filter in the plinth

The fluff filter in the plinth collects finer fluff, hair and detergent residues that can penetrate the fluff filters.

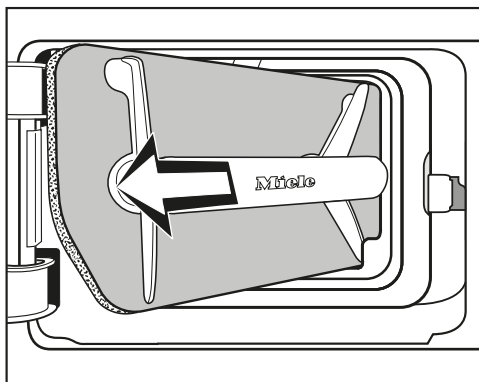
### Removing the plinth filter



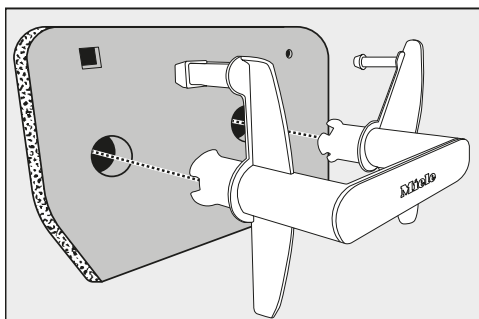
- Reach behind the catch with your finger.
- Open the fluff filter flap.



- ① Use the handle to pull out the plinth filter at an angle forwards and to the right.



- ② Pull the filter out at an angle.



- Pull the handle out of the filter.




## Cleaning the fluff filters with water

- Clean the filter thoroughly under running water.
- Squeeze the filter very carefully several times as you rinse it.
- Rinse the filter until all visible residues have been removed.

The filter must not be installed dripping wet. Otherwise, this could cause a fault. Carefully squeeze the water out of the filter.

If a drying programme is interrupted with a fault message after the clean plinth filter has been fitted, the plinth filter was too wet when it was fitted. Carefully squeeze the water out of the plinth filter again. Leave the plinth filter to air-dry.

If a fault occurs again despite this, it may be caused by stubborn residue from washing substances. Reactivate the plinth filter in the washing machine. See “Problem solving guide – Reactivating the plinth filter”.

 Damage caused by an insufficiently cleaned or damaged fluff filter.

If the filter has not been properly cleaned or is damaged, the heat exchanger will be clogged. There will be an insufficient flow of air and heat in the heat exchanger. This will require a visit from a Miele technician.

Before and after cleaning, check the plinth filter in accordance with the description in “Replacing the plinth filter”. The plinth filter must be perfectly functional and undamaged after cleaning.

- Use a damp cloth to remove any fluff from the handle.

# Cleaning and care

---

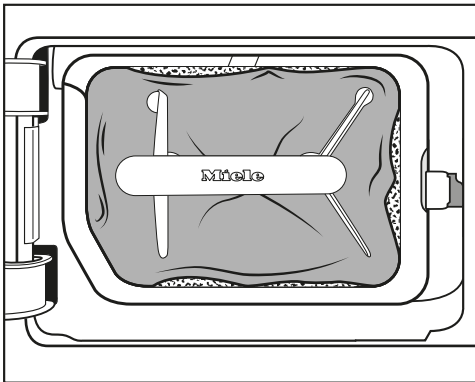
## Replacing the plinth filter

⚠ Filter wear caused by continuous tumble dryer use.

If the tumble dryer is in continuous use and is being cleaned frequently, the plinth filter can begin to show signs of wear after a while. This can clog up the heat exchanger.

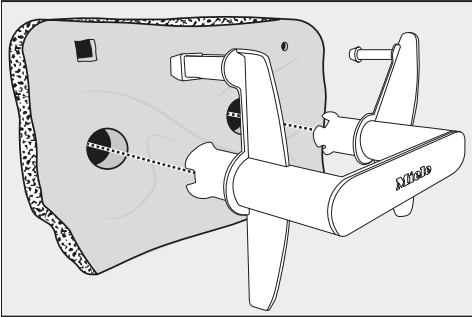
Replace the filter immediately (replacement filters are available as an optional accessory) if you see the following signs of wear before or after cleaning.

### Poor fit



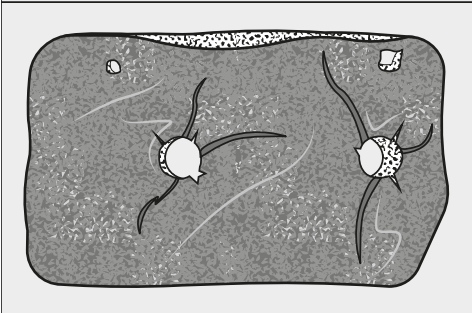
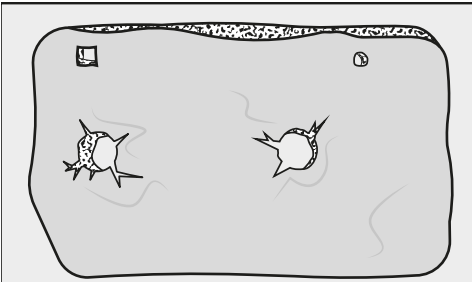
The edges of the filter do not sit properly and the filter is deformed. Fluff will blow into the heat exchanger unfiltered through edges that do not sit properly. This will cause a permanent obstruction in the heat exchanger.

## Deformations



Deformations indicate that the filter has become blocked and worn by continuous use.

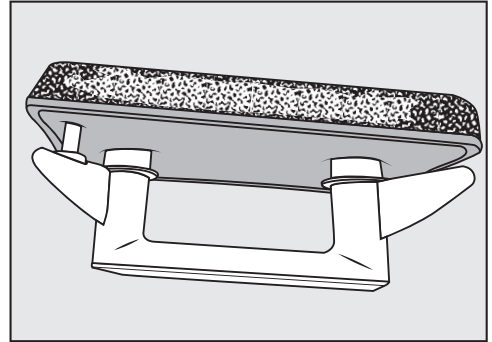
## Cracks, tears, indentations



Fluff will blow into the heat exchanger unfiltered through cracks and tears and will cause obstruction.

Deformations indicate that the filter has become blocked and worn by continuous use.

## White residues or residues of other colours



Residues arise from laundry fibres and residues of detergent components which can clog the filter. They can be found on the front and side edges of the filter. In extreme cases, they can form stubborn crusts.

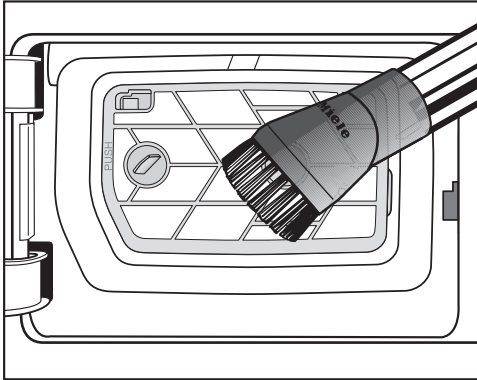
Residues are a sign that the filter no longer has a snug fit at the sides, even if it appears to be perfect – fluff is getting in unfiltered at the edges.

If these residues appear on the filter again soon after cleaning, it must be replaced.

# Cleaning and care

## Cleaning the filter insert (in the plinth)

The surface of the filter insert is visible after removing the fluff filter (in the plinth). This filter surface only needs to be cleaned if there is a visible accumulation of fluff.

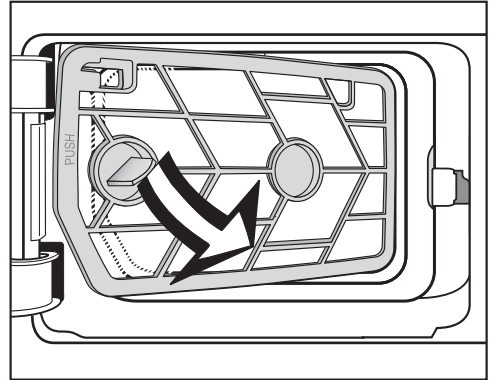


- Carefully vacuum up any visible fluff or dirt. Use a suction brush or a narrow crevice nozzle.

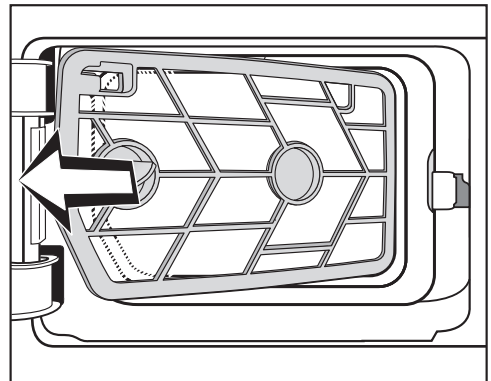
If there are visible blockages or other residues after cleaning: Remove the filter insert and clean it under running water. If stubborn residues are not removed, these can lead to faults over time.

## Removing the filter insert

If the filter insert is clogged up and soiled, it must be removed and cleaned under running water.



- 1 Use the handle to pull out the fluff filter at an angle forwards and to the right.



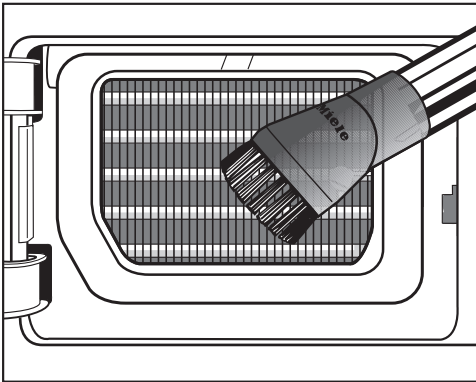
- 2 Pull the filter insert out at an angle.
- Rinse the filter surface of the insert under warm running water.

Ensure the fluff filter is dry before replacing it. Damp or wet filters can cause operational faults. Shake the filter insert thoroughly and then dry it carefully.

## Checking the cooling fins on the heat exchanger

**⚠** Danger of injury caused by touching the cooling fins. You could cut yourself. Do not touch the cooling fins.

After removing the filter insert, you will see the cooling fins on the heat exchanger. Check them for any accumulation of fluff.

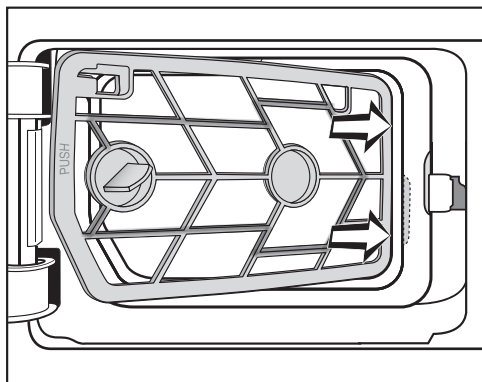


- If you notice any visible soiling, carefully vacuum it up with a vacuum cleaner. Use a suction brush or a narrow crevice nozzle.

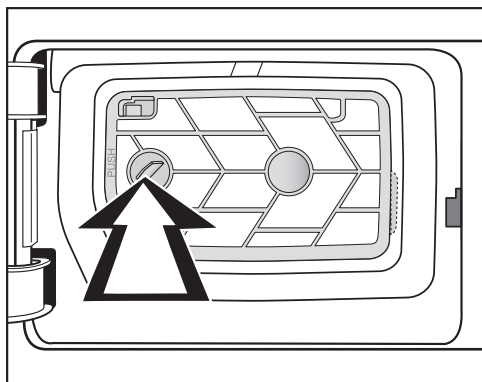
**⚠** Risk of damage if the cooling fins are cleaned incorrectly. The cooling fins can be damaged or distorted. This would impair the operational performance of the tumble dryer. Clean using a vacuum cleaner with a dusting brush attached. Only pass the vacuum cleaner dusting brush over the fins lightly, without applying any pressure.

## Cleaning and care

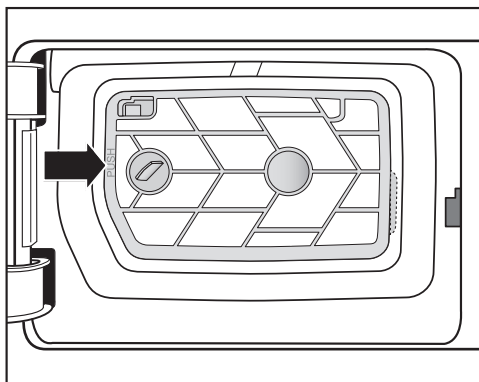
### Refitting the filter insert in the plinth



- 1 Use the handle on the right to slide the filter insert at an angle behind the edge.

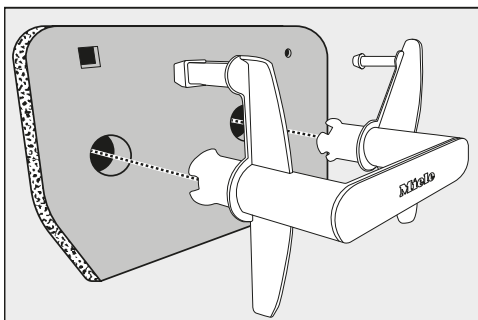


- 2 Then press the handle on the left side until the filter is secured in position.



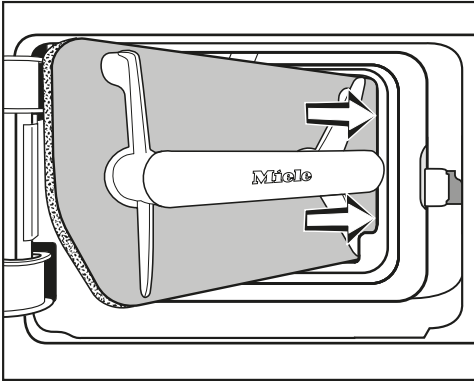
- 3 Press the frame of the filter insert in at the position marked PUSH until it clicks into position.

### Refitting the fluff filter in the plinth

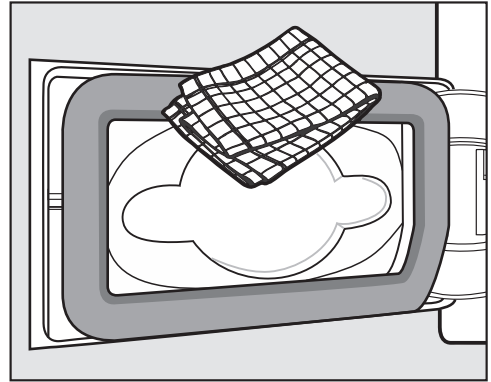


- Fit the filter back on the handle. Make sure it is the correct way round.

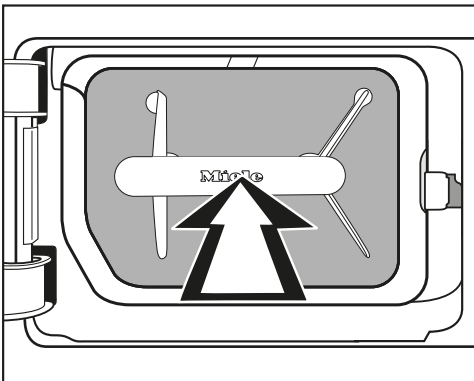
## Cleaning and closing the fluff filter flap



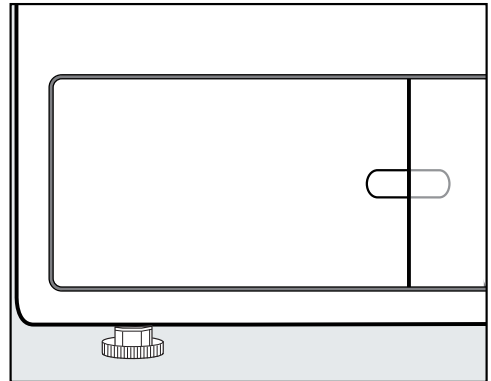
- 1 Use the handle to slide the filter insert on the right side at an angle behind the edge.



- Use a damp cloth to remove any fluff. Make sure that you do not damage the rubber seal when doing this.



- 2 Then press on the handle until the fluff filter is secured in position.



- Close the fluff filter flap.

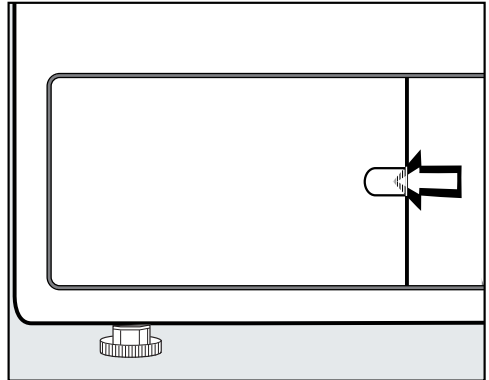
The plinth filter must be inserted and the fluff filter flap must be closed to ensure the system is correctly sealed and that the tumble dryer will function correctly.

## Cleaning and care

### Cleaning the bottom right grille/heat exchanger

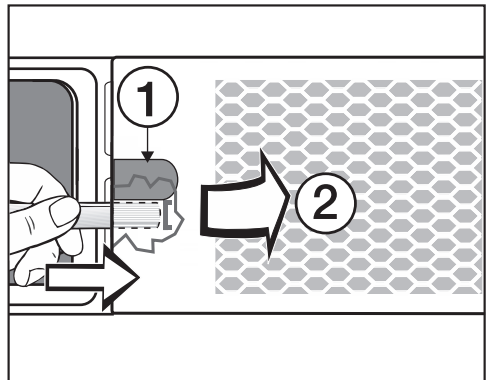
The cooling fins of the heat exchanger behind the grille can become blocked with dust and dirt drawn in from the surrounding area.

### Removing the grille



- Open the fluff filter flap.

Open the bottom right grille, e.g. using a spoon handle.




- Insert the spoon handle behind the grille (under the recess ①).
- Press and lever the grille gently until it opens on the left-hand side ②.
- Open the grille from left to right and pull it off forwards at an angle.

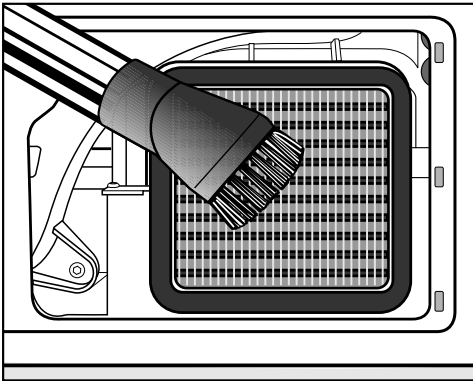


## Cleaning the cooling fins


- Check whether the cooling fins are clogged.

 Danger of injury caused by touching the cooling fins. You could cut yourself. Do not touch the cooling fins.

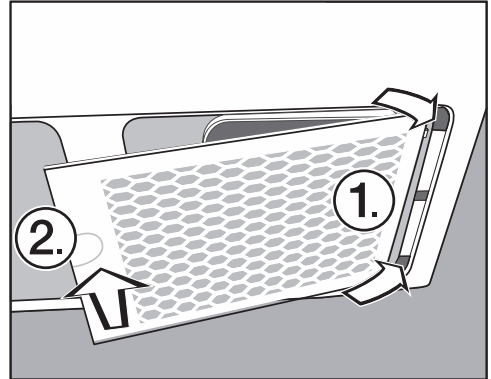
If there is visible soiling:



- Carefully vacuum up any visible fluff or dirt. Use a suction brush or a narrow crevice nozzle.

 Risk of damage if the cooling fins are cleaned incorrectly. The cooling fins can be damaged or distorted. This would impair the operational performance of the tumble dryer. Clean using a vacuum cleaner with a dusting brush attached. Only pass the vacuum cleaner dusting brush over the fins lightly, without applying any pressure.

## Refitting the grille



- Insert the grille on the right side.
- Press the grille down firmly on the left side.

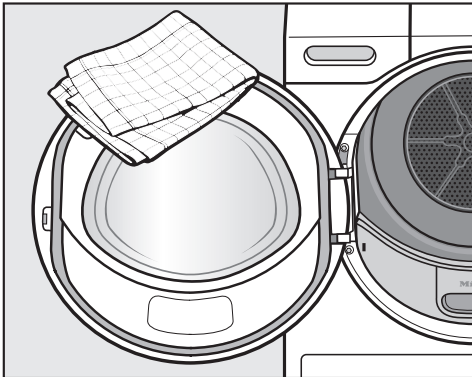
# Cleaning and care

## Cleaning the dryer

Disconnect the dryer from the electricity supply.

**⚠** Damage due to the use of unsuitable care products. Unsuitable care products can damage plastic surfaces and other parts. Do not use solvents, abrasive cleaners, glass cleaners or all-purpose cleaners.

**⚠** Risk of electric shock due to water. If water runs over or into the tumble dryer, there is a risk of electric shock. Never spray the tumble dryer with water. Only ever clean the appliance with a slightly damp, soft cloth.



- The drum and other stainless steel parts can be cleaned with a suitable stainless steel cleaner following the manufacturer's instructions.




- Clean the dryer and the seal on the inside of the door only with a slightly damp, soft cloth and mild detergent or soapy water.
- Dry all parts with a soft cloth.

Many malfunctions and minor faults that can occur in daily operation can be corrected without contacting Miele. This will save you time and money because you will not need a service call.


You can find information on how to remedy faults yourself at [www.miele.com/service](http://www.miele.com/service).

Please note, however, that a call-out charge will be applied to unnecessary service visits where the problem could have been rectified as described in these operating instructions.







## The display shows the following messages or faults

Message	Possible cause and remedy
 The drum is empty or the laundry is too dry <b>lights up after a programme has been cancelled.</b>	<p>This is not a fault.</p> <p>In some programmes, if the drum has been overloaded or underloaded, the programme will be cancelled. This can also happen if the items are already dry.</p> <ul style="list-style-type: none"> <li>■ Open the door and check the laundry.</li> <li>■ Add or remove laundry.</li> <li>■ Open and close the door to resume drying.</li> </ul> <p>Use the <i>Timed drying warm air</i> programme to dry individual items.</p>
 Power outage. Programme stopped.	<p>There has been an interruption to the power supply.</p> <ul style="list-style-type: none"> <li>■ When power is restored, you need to confirm with OK.</li> <li>■ Touch the <i>Start/Stop</i> sensor.</li> </ul>
 Open bottom right grille, clean the heat exchanger <b>lights up at the end of a programme.</b>	<p>The cooling fins of the heat exchanger behind the grille may be blocked by dirt particles drawn in from the surrounding area, and the air passages may be blocked by fluff.</p> <ul style="list-style-type: none"> <li>■ Clean as described in "Cleaning and care - Cleaning the bottom right grille/heat exchanger".</li> <li>■ Check and clean the filters in the drum loading area and in the plinth.</li> <li>■ To delete the message: Touch the OK sensor.</li> </ul>

## Problem solving guide

Message	Possible cause and remedy
<p><b>i</b> Clean the fluff filter and rinse the plinth filter. <b>lights up at the end of a programme.</b></p>	<p>The tumble dryer is not working correctly or economically. Possible causes could be clogging caused by fluff or detergent residues.</p> <ul style="list-style-type: none"> <li>■ Normally, all you have to do is clean the fluff filters.</li> <li>■ Also check the plinth filter and clean it if necessary.</li> <li>■ If you have removed the plinth filter, also check the filter insert behind it. Clean it if necessary.</li> </ul> <p>Please see “Cleaning and care” for notes on cleaning.</p> <ul style="list-style-type: none"> <li>■ To delete the message: Touch the OK sensor.</li> </ul>
<p> Rinse the fluff filter and plinth filter. Check the airways. <b>lights up after a programme has been cancelled.</b></p>	<p>You have attempted to dry only a few items of varying size. A smaller item has been sucked into the drum loading area in the door and is clogging the holes in the laundry deflector.</p> <ul style="list-style-type: none"> <li>■ To delete the message: Touch the OK sensor.</li> <li>■ Open the tumble dryer door.</li> <li>■ Remove the item that is blocking the holes.</li> <li>■ Always dry small, individual items together with larger items.</li> </ul> <p>If you are able to exclude all this, a more major problem has occurred. See below.</p> <p>The system is clogged by fluff or detergent residues.</p> <ul style="list-style-type: none"> <li>■ Clean all fluff filters and airways.</li> <li>■ Check whether the fluff filters in the drum loading area and plinth are free from damage and in good working order.</li> <li>■ If you have removed the plinth filter, also check the filter insert behind it. Clean it if necessary.</li> <li>■ If you have removed the filter insert, also check the heat exchanger behind it. Clean it if necessary.</li> </ul> <p>Observe the notes on cleaning in “Cleaning and care”. Damaged, deformed, or uncleanable fluff filters must be replaced.</p> <ul style="list-style-type: none"> <li>■ To delete the message: Touch the OK sensor.</li> </ul>

# Problem solving guide

Message	Possible cause and remedy
 Rinse the fluff filter and plinth filter. Check the airways. <b>still lights up after a programme interruption despite thorough cleaning.</b>	<p>The plinth filter looks clean after thorough cleaning. Nevertheless, the programme is aborted again and the error message appears again. There are probably still deeper residues which could not be removed.</p> <ul style="list-style-type: none"> <li>■ To delete the message: Touch the OK sensor.</li> <li>■ Replace the plinth filter with a new one.</li> <li>■ You can regenerate the removed “old” plinth filter in the washing machine. Follow the instructions in “Problem solving guide - Regenerating the plinth filter”.</li> </ul>
 Check water drainage <b>lights up after a programme has been cancelled.</b>	<p>The condensate drain is faulty.</p> <ul style="list-style-type: none"> <li>■ Check if the drain hose is in good working order and not kinked.</li> <li>■ To delete the message: Open and close the door while the dryer is switched on.</li> </ul>
 Plinth filter not fitted. Please fit it.	<p>The plinth filter has not been inserted.</p> <ul style="list-style-type: none"> <li>■ Check the filter in the plinth.</li> </ul> <p>Removing the filter during a drying programme will result in the programme being cancelled.</p>
 Fault F. If restart fails, call Miele. <b>lights up after a programme has been cancelled.</b>	<p>There is no obvious cause.</p> <ul style="list-style-type: none"> <li>■ Follow the prompt in the display.</li> <li>■ Touch the OK sensor.</li> </ul> <p>If the programme terminates again with the same error message, then there is a fault. Contact Miele Customer Service.</p>
 Obstruction detected. Untangle laundry and restart. <b>lights up after a programme has been cancelled.</b>	<p>The laundry is unevenly distributed or has rolled up.</p> <ul style="list-style-type: none"> <li>■ Open the door and loosen the laundry. Take out some of the laundry if necessary.</li> <li>■ Close the door.</li> <li>■ Start a programme.</li> </ul>
 Finish / Cooling down <b>lights up and the drying process is not yet finished.</b>	<p>This is not a fault. The laundry is still being cooled. The programme is just about to end.</p> <ul style="list-style-type: none"> <li>■ Either remove the laundry and spread it out to cool down or leave it in the tumble dryer to cool down during the cooling phase.</li> </ul>

# Problem solving guide

## Unsatisfactory drying result

Problem	Possible cause and remedy
<b>The laundry is not sufficiently dry.</b>	<p>The load consisted of different types of fabric.</p> <ul style="list-style-type: none"><li>■ Finish drying using the <i>Timed drying warm air</i> programme.</li></ul>
<b>Large items of laundry have rolled up, causing a problem. The individual items of laundry are still damp.</b>	<p>The laundry could not be untangled in the programme you selected. Smaller items have rolled up into one.</p> <ul style="list-style-type: none"><li>■ Untangle the laundry.</li><li>■ Select the <i>Large items</i> programme.</li></ul> <p>If the <i>Large items</i> programme does not appear in the display for selection, you can activate it subsequently.</p> <p>How to activate a programme subsequently is described in “Supervisor level – Opening the Supervisor level” and “Programme packages”.</p>
<b>Laundry or feather filled pillows smell after drying.</b>	<p>The laundry was washed with insufficient detergent. Feathers are a natural product and may develop odours when exposed to heat.</p> <ul style="list-style-type: none"><li>■ Laundry: Wash with sufficient detergent next time.</li><li>■ Pillows: Take out of the tumble dryer and aerate.</li></ul>
<b>Items made of synthetic fibres are charged with static electricity after drying.</b>	<p>Synthetic fibres tend to attract static charge.</p> <ul style="list-style-type: none"><li>■ Static charge can be reduced by adding fabric softener to the final rinse in the washing programme.</li></ul>
<b>Fluff is caused by tumble drying.</b>	<p>Fluff is principally the result of friction when garments are being worn and to some extent when they are being washed. Tumble drying hardly causes any fluff to form.</p> <p>Fluff is collected by the fluff filters and fine filters and can easily be removed.</p> <ul style="list-style-type: none"><li>■ See “Cleaning and care”.</li></ul>

### The drying process takes a long time.


Problem	Possible cause and remedy
<b>The drying process goes on too long or even switches off*.</b>	<p>The room in which the tumble dryer is located is too warm.</p> <ul style="list-style-type: none"> <li>■ Ventilate the room thoroughly.</li> </ul>
	<p>Detergent residues, hair and fine fluff can clog the filters.</p> <ul style="list-style-type: none"> <li>■ Clean the fluff filters and the filter in the plinth. See "Cleaning and care" for an in-depth description.</li> <li>■ If you have removed the plinth filter, also check the filter insert behind it. Clean it if necessary.</li> <li>■ If you have removed the filter insert, also check the heat exchanger behind it. Clean it if necessary.</li> </ul>
	<p>The cooling fins behind the bottom right grille are soiled.</p> <ul style="list-style-type: none"> <li>■ Clean as described in "Cleaning and care - Bottom right grille/heat exchanger".</li> </ul>
	<p>The laundry is too damp.</p> <ul style="list-style-type: none"> <li>■ Spin the laundry using a higher spin speed in the washing machine.</li> </ul>
	<p>The tumble dryer has been overloaded.</p> <ul style="list-style-type: none"> <li>■ Do not exceed the maximum load for the programme selected.</li> </ul>
	<p>Metallic components, e.g. zippers, have prevented the dryer from registering the correct moisture level.</p> <ul style="list-style-type: none"> <li>■ Open any zips next time.</li> <li>■ If the problem occurs again, dry these items using the <i>Timed drying warm air</i> programme.</li> </ul>

\* Switch the tumble dryer off and on again after a short waiting period before starting a new programme.

## Problem solving guide

---

### General problems with the tumble dryer

Problem	Possible cause and remedy
<b>You can hear buzzing or humming operating noises.</b>	This is not a fault. These noises are normal and caused by the operation of the compressor (heat pump).
<b>The interior drum lighting does not come on.</b>	The drum lighting switches off automatically when the door is closed. To save energy, the drum lighting will switch off after a few minutes if the door is left open for an extended period. The drum lighting will come on when the door is opened if the tumble dryer is switched on.
<b>The display is in a different language.</b>	A different language has been selected. ■ Set the language you want. The flag symbol  serves as a guide.



### Regenerating the plinth filter

You can regenerate one or more dirty plinth filters in the washing machine. In this way, a plinth filter can be used again for a reasonable period of time.

- Wash one or more plinth filters separately without garments. Do not add laundry detergent.

**Useful tip:** Select a short wash programme with a maximum temperature of 40°C and a maximum spin speed of 600 rpm.

- Select for example the *Separate rinse* programme.

After washing and spinning, you can refit the plinth filter. You can continue to use a regenerated plinth filter as long as there are no signs of wear.

You can no longer use a regenerated plinth filter if it shows signs of wear or deformation.

See the information in “Cleaning and care - Replacing the plinth filter”.

# Service

---

## Contact in case of fault

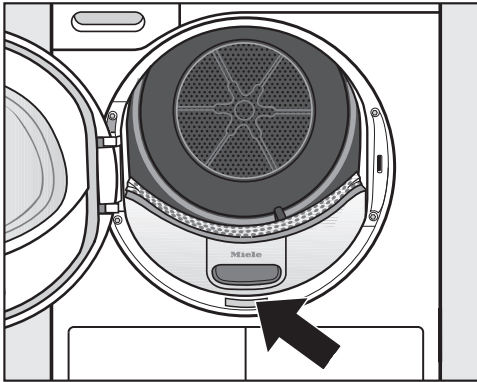
In the event of any faults which you cannot remedy yourself, please contact Miele.

You can book a Miele customer service call-out online at [www.miele.com.au/service](http://www.miele.com.au/service) or [www.miele.co.nz/service](http://www.miele.co.nz/service).

Contact information for Miele can be found at the end of this booklet.

Please quote the model and serial number of your appliance when contacting Miele. This information can be found on the data plate.

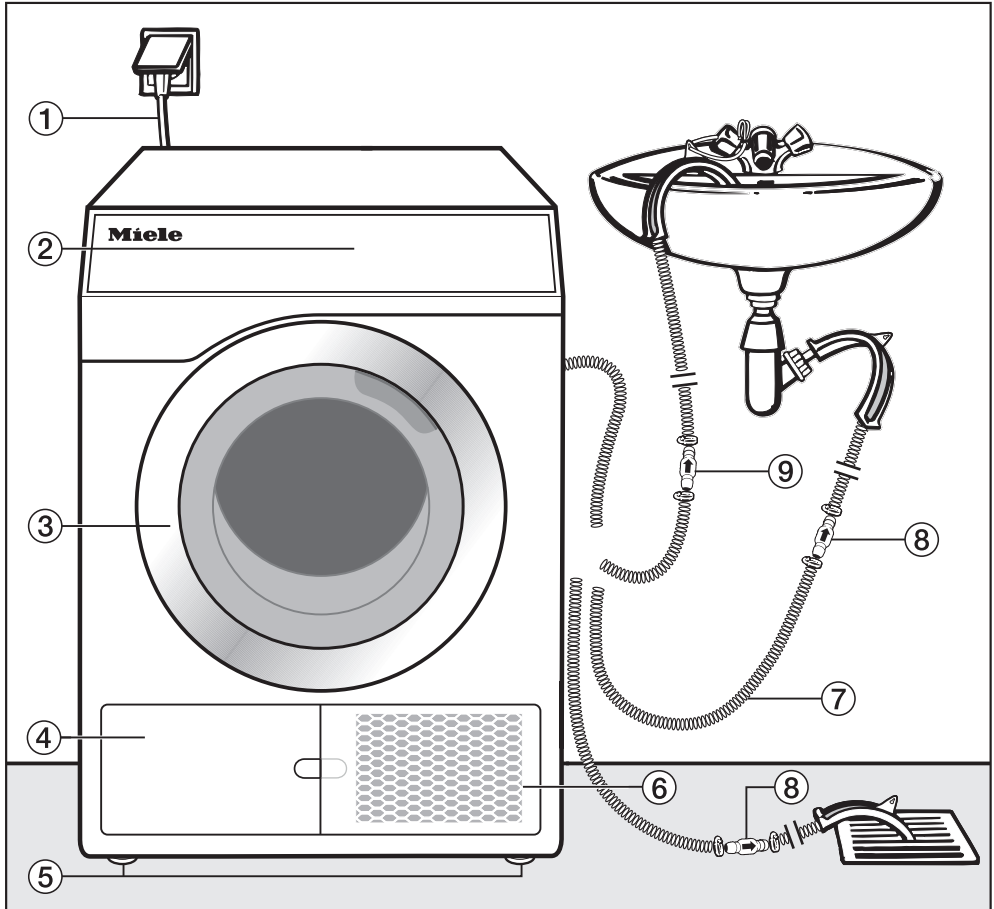
You can see the data plate when you open the door of your tumble dryer:



## Optional accessories

Optional accessories for this tumble dryer are available from Miele (see contact details at the back of these instructions).

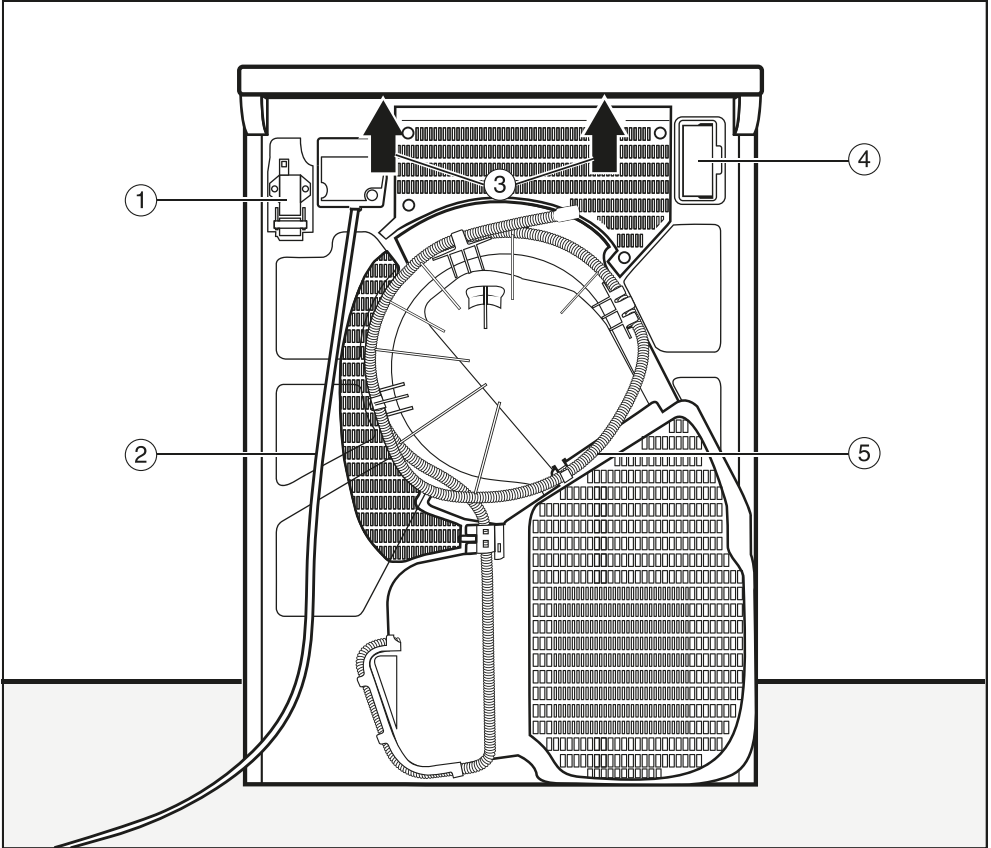
## Front view



- ① Mains connection cable
- ② Control panel
- ③ Door
- ④ Fluff filter flap for the filter in the plinth
  - Open only when a prompt appears in the display
- ⑤ 4 height-adjustable screw feet
- ⑥ Bottom right grille = air cooling opening
  - Open only when a prompt appears in the display
- ⑦ Drain hose for condensed water
- ⑧ Non-return valve, required
- ⑨ Non-return valve, recommended

# Installation

## Rear view



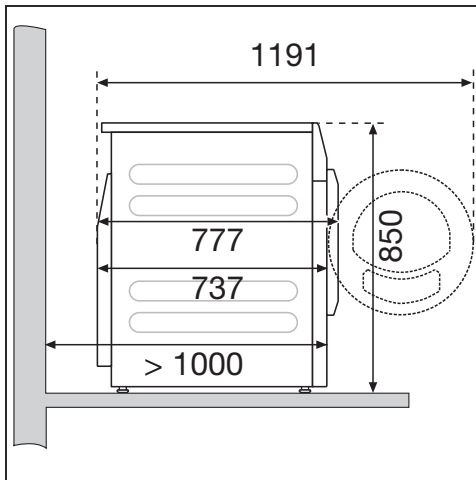
- ① Interface for communicating with external devices
- ② Mains connection cable
- ③ Protruding lid for holding the appliance during transport
- ④ Module slot (for external communication module)
- ⑤ Drain hose for condensed water

## Installation locations

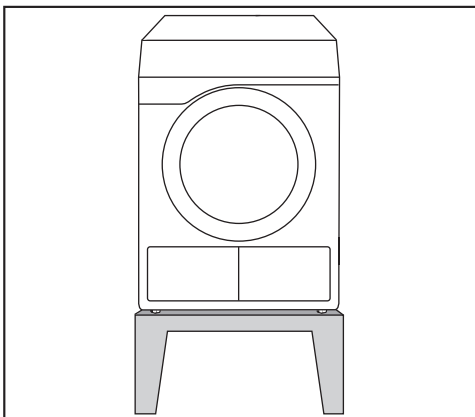
All measurements are in mm.

The distances between the machine and the wall are recommended for making service work easier. The machine may be pushed against the wall if installation conditions mean there is limited space.

### Side view

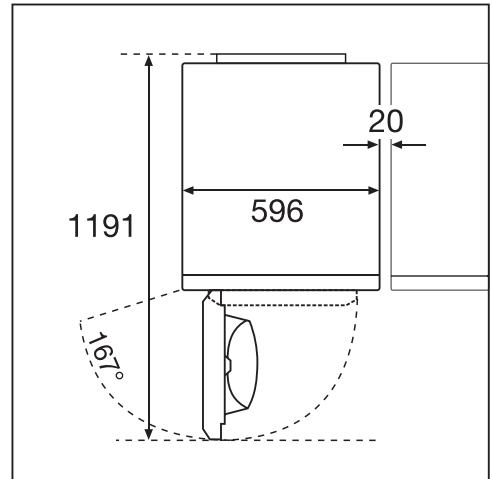


### Steel plinth



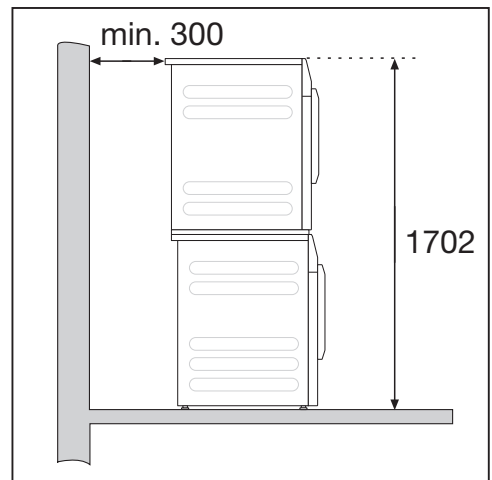
Steel plinth\* (open or closed bases)

### View from above



### Washer-dryer stack

**⚠** Installing the washer-dryer stack on a Miele plinth is not permitted.




A stacking kit\* is required. This must be fitted by a Miele authorised service technician.

\* Miele accessory available to order

# Installation

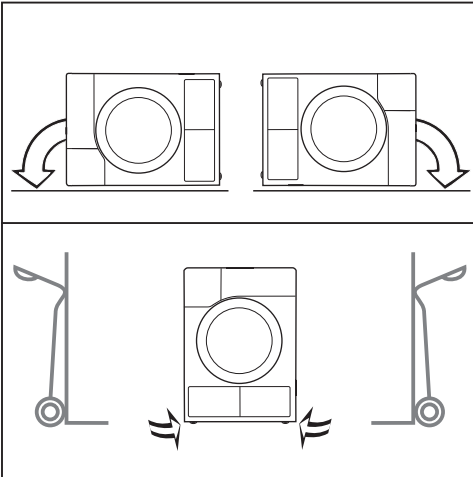
## Transporting the dryer to its installation site

 Risk of damage from incorrect transport.

If the tumble dryer tips over, there is a danger of injury to people and damage to property.


Ensure that the tumble dryer is stable during transportation.

## Transporting the tumble dryer



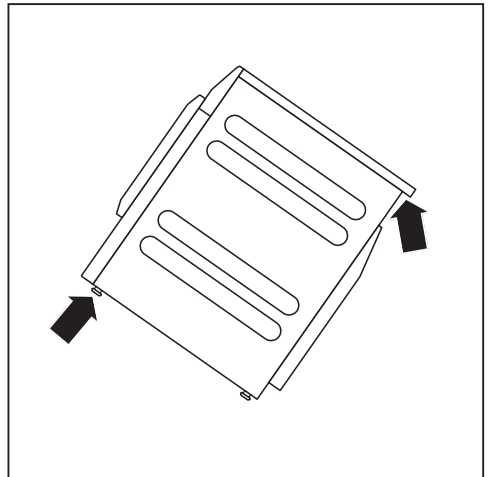
- If the tumble dryer is being transported horizontally, it must only be tipped onto its left or right side.
- If the tumble dryer is being transported upright and you are using a handcart or trolley, you must only transport it with its left or right side resting on the handcart or trolley.

## Transporting the tumble dryer to its installation site

 Danger of injury due to unsecured lid.

The rear attachment of the lid may become brittle due to external circumstances. There is a danger of the lid being pulled off when carrying the appliance.

Before carrying the appliance, check that the lid is secure where it protrudes at the back.




- Carry the tumble dryer by the front feet and by the lid where it protrudes at the back of the appliance.

## Installation

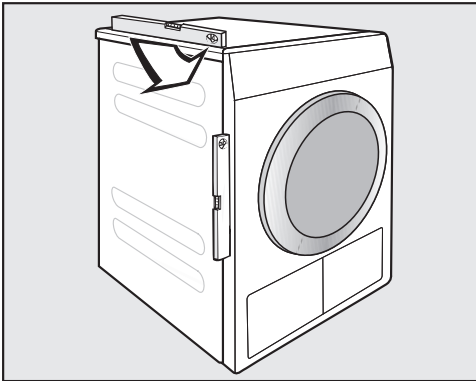
Ensure that no lockable door, sliding door or a door hinged in the opposite direction is installed in the pivoting range of the dryer door.

## Downtime after installation

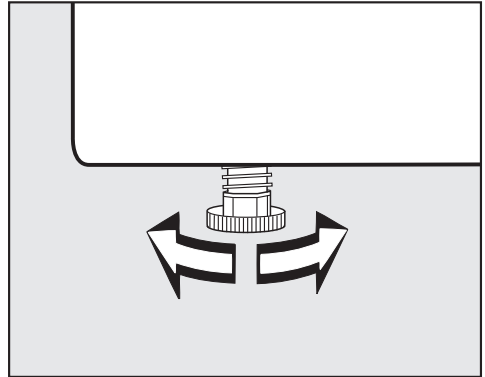
 Damage caused by switching the appliance on too soon.

This can damage the heat pump. After setting up the tumble dryer, wait for at least one hour before switching it on.

## Levelling the dryer



The appliance must stand perfectly level on all four feet to ensure safe and proper operation.



The screw feet can be adjusted to compensate for unevenness in the floor.

This tumble dryer is not suitable for building under.

Never block the ventilation slots on the tumble dryer. Do not block the gap between the bottom of the tumble dryer and the floor with plinth boards, deep pile carpet etc. which could obstruct the openings. This would hinder a sufficient flow of air to the tumble dryer.

# Installation

---

## Room ventilation

- Air drawn in for use in the drying process will be warm when it is expelled back into the room by the tumble dryer. You must therefore ensure that the room is sufficiently ventilated, particularly if the appliance is located in a small room.
- Make sure that the room temperature is not too high. If there are other heat producing appliances in the room in which the dryer is located, make sure the room is well ventilated and switch the other appliances off, if possible.

Otherwise running times and energy consumption could be increased.

## External control equipment

An optional accessory unit has to be purchased to set up a connection with external systems:

- XCI box communication module (e.g for peak load control units or payment systems)
- XCI-AD communication adapter (for payment systems only)

## Payment system

The dryer can be fitted with a payment system (optional accessory). This must be connected and programmed by a Miele Professional Service technician.

Coins/tokens must be removed from the coin box regularly. Otherwise, the payment system will become blocked.



## Drain hose for condensed water

The condensed water is pumped away through the drain hose which is located at the back of the dryer.

### Arranging the drain hose

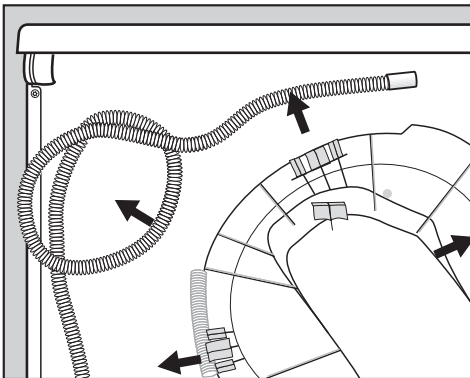
**⚠** Risk of damage to the drain hose due to improper use.

The drain hose can be damaged and may leak.

Do not pull on the drain hose and do not stretch it or allow it to become kinked.

**Useful tip:** Use the bow-shaped guide to prevent the drain hose from becoming kinked.

Drain hose length: 1400 mm  
Delivery head: 1000 mm



■ Pull the drain hose out of the clips.

### Drain hose connection options

**Useful tip:** Follow the warnings regarding leakage or backflow of water when selecting one of the following connection options.

- Directed into a laundry tub or trough
- Connected securely to a floor drain (gully)
- Connected directly to a laundry tub or trough drain outlet
- Connection to a drainage system already in use by another appliance, e.g. a dishwasher or washing machine

**⚠** Risk of water damage.  
Should the end of the hose come loose, overflowing water can cause damage.

Secure the drain hose carefully (e.g. by tying it) to make sure it cannot slip.

**⚠** Danger of condensed water backflow.

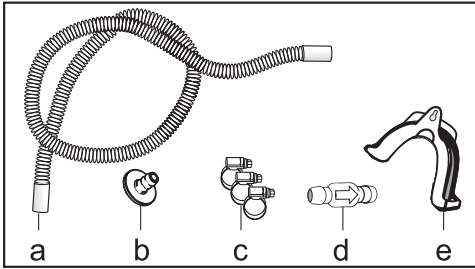
Water could flow back into the tumble dryer or be drawn into it. The tumble dryer will sustain damage and water will leak out.

The non-return valve should be used if the end of the hose is immersed in water or mounted onto other water-bearing connections.

A non-return valve kit is available as an optional accessory for external condensed water connections.

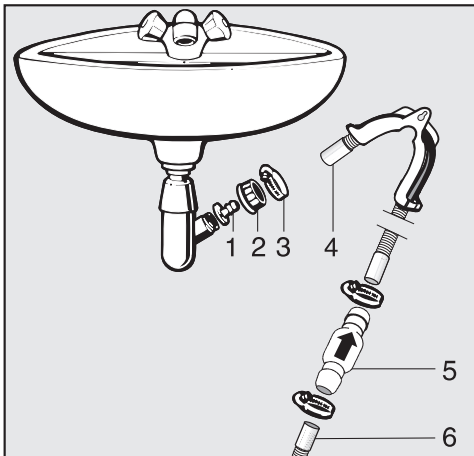
# Installation

## Drainage accessories, supplied



- a. Hose extension
- b. Adapter
- c. Hose clips
- d. Non-return valve
- e. Hose holder

## Example: Connected directly to a laundry tub or trough drain outlet



- 1. Adapter
- 2. Washbasin nut
- 3. Hose clip
- 4. Hose extension
- 5. Non-return valve and hose clips
- 6. Tumble dryer drain hose

- Fit the adapter **1** to the drain outlet using the nut **2**.  
If this nut has a spacer you should take the spacer out first.
- Attach the end of the hose **4** to the adapter **1**.
- Use a screwdriver to tighten the hose clip **3** up close to the nut.
- Fit the non-return valve **5** to the tumble dryer drain hose **6**.

The non-return valve **5** has to be fitted so that the arrow points in the direction of flow (i.e. towards the laundry tub).


- Secure the non-return valve using the hose clips.

## Electrical connection

This description applies to tumble dryers both with and without a mains plug.

The following applies to tumble dryers with a mains plug:

- This tumble dryer is supplied with a mains cable with moulded plug.
- The electrical socket must be easily accessible so that the tumble dryer can be disconnected from the electricity supply.

 Damage caused by incorrect supply voltage.

The data plate indicates the nominal power consumption and the appropriate fuse rating.

Compare the specifications on the data plate with those of the mains electricity supply.

The dryer must only be connected to a permanent electrical system that conforms to the national and local codes and regulations.

Do not connect the machine via an extension lead or power board. They do not guarantee the required safety of the appliance (e.g. danger of overheating and fire).

If the appliance is hard wired, an all-pole disconnection must be provided on site. The means of disconnection must be incorporated in the fixed wiring in accordance with the wiring rules.

When switched off, there must be an all-pole contact gap of at least 3 mm in the isolator switch (including circuit breakers, fuses, and relays according to

AS/NZS 3000). This connection must be carried out by a qualified and competent electrician.

The plug connector or isolator switch should be easily accessible at all times.

 Risk of electric shock!

If the dryer is disconnected from the power supply, protective measures must be taken to ensure that the point of disconnection cannot accidentally be switched on again.

Make sure the isolator is lockable or the point of disconnection is monitored at all times.

New connections, modifications to the system, or servicing of the protective conductor, including determining the correct fuse rating, must be carried out by a qualified and competent electrician, as they are familiar with the pertinent regulations and the specific requirements of the electrical utility company.

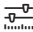
The dryer must not be connected to devices such as timers which would switch it off automatically.

## Technical data

---

Height	850 mm
Width	596 mm
Width (for appliances with a stainless steel lid)	605 mm
Depth	777 mm
Depth with door open	1191 mm
Weight	72 kg
Drum volume	130 l
Load size	7 kg (weight of dry laundry)
Hose length	1400 mm
Length of connection cable	2000 mm
Supply voltage	See data plate on back of machine
Rated load	See data plate on back of machine
Fuse rating	See data plate on back of machine
Test certificates awarded	See data plate on back of machine
LEDs	Class 1
Designation of refrigerant	R134a
Refrigerant quantity	0.61 kg
Refrigerant global warming potential	1430 kg CO <sub>2</sub> e
Appliance global warming potential	872 kg CO <sub>2</sub> e
Max. floor load during operation	925 N
Product safety standard	AS/NZS 60335
A-rated sound emissions $L_{pA}$ in accordance with EN ISO 11204/11203	<70 dB re 20 $\mu$ Pa

## Opening the Supervisor level

The settings menu in the  Supervisor level is locked against unauthorised access. The menu can be unlocked with a code.

### Access via code

A code is needed to access the Supervisor level.

Factory setting: the code is **000**.

### Change code

You can change the Supervisor level access code to protect the tumble dryer from unauthorised access.

Carefully enter a new code.  
You will need to inform Miele if you have forgotten your new code. Miele will have to reset the code.  
Make a note of your new code and store it in a safe place.

## Demo programme

In showrooms, a Demo programme can be started with a simulation.


The programme does not start. The operational sequence is simply a simulation.


**Useful tip:** The Demo programme will only be available if a drying programme lasting more than 1 hour has not been carried out. After this, the Demo programme will not be available.

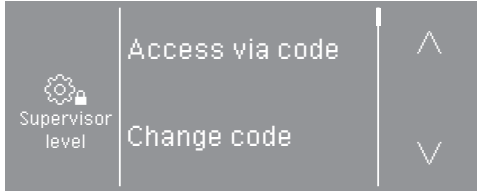
- Factory setting: Off
- On

# Supervisor level

## Opening the Supervisor level

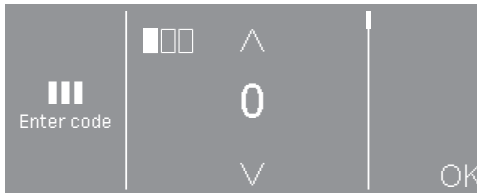
- Touch the  sensor.

The  symbol appears in the display if you turn the programme selector to a programme.



The following options are available for selection: Access via code, Change code, Demo programme.

- Select Access via code.



- Enter the individual numbers and confirm each selection with OK.

The Supervisor level settings are opened.



- Select the desired setting.

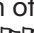
## Exiting the Supervisor level

- Touch the  sensor or switch off the tumble dryer.

## Language

The display can be set to appear in one of several different languages. To select the language you want, go to the *Languages* submenu.

You can change the language as follows:

- Permanently: in the Supervisor level (= "Supervisor language").
- Only for the duration of the current programme: via the  sensor. The supervisor language is displayed again at the end of the programme.

## Brightness

The brightness of the display can be set in intervals of ten from 10% to 100%.

Factory setting: 70%

## Time

After selecting the clock format, you can set the time of day.

### Clock format

- Factory setting: 24-hour display
- 12-hour display
- Clock off

### Set

- The time can be set.

## Finish tone volume

The volume for the signal tone that sounds at the end of the programme can be changed.

The tones can be set to one of 7 different levels or switched off altogether.

Factory setting: Off

## Keypad tone

A signal tone can also be activated that sounds when the sensors are pressed; the volume of this signal can be adjusted.

The tones can be set to one of 7 different levels or switched off altogether.

Factory setting: Normal

## Welcome tone volume

The volume of the switch-on signal tone can be changed.

The tones can be set to one of 7 different levels or switched off altogether.

Factory setting: Off

# Supervisor level

---

## Fault alarm

The acoustic signal that indicates a fault can be switched off.

- Factory setting: On
- Off

## Memory

The tumble dryer saves the settings that were last selected for a drying programme (drying level and/or Extras, or the duration for some programmes).

- Factory setting: Off
- On

## Anti-crease

At the end of the programme, the drum will continue to rotate at intervals if the laundry is not removed immediately.

Changing this setting leads to increased energy consumption.

The setting (🕒) can be switched off or set to a time between 1 and 12 hours.

Factory setting: Off

## Further cooling

Before the end of the programme, the temperature of the dried laundry is monitored and the cooling phase at the end of the programme is extended if necessary.

Changing this setting leads to increased energy consumption.

- Factory setting: Off
- On

## Cooling down temperature

The laundry will be cooled down automatically before the end of the programme. The automatic cooling-down phase which takes place before the end of a programme can be set at a cooler level for all programmes. This means that the cooling phase is extended.

Changing this setting leads to increased energy consumption.

The setting can be changed from 40°C–55°C.

Factory setting: 55°C



## “Display” switch-off status

To save energy, the display goes out and the *Start/Stop* sensor flashes slowly.

Changing this setting leads to increased energy consumption.

- On after 10 min, not in current programme (factory setting)  
The display will remain on during the programme sequence but will go out 10 minutes after the end of the programme.
- On after 10 min  
The display will go out after 10 minutes.


## Delay start

The type of time input for the Delay start function can be changed or switched off.

- Off  
The Delay start function is not available for selection.
- End of programme (factory setting)  
With the Delay start function, you specify at what time the programme should end.
- Start of programme  
With the Delay start function, you specify at what time the programme should start.
- Time until start  
With the Delay start function, you specify after how many hours a programme should begin.

## SmartStart

(only available in selected countries)

The function of the  sensor changes when the *SmartGrid* setting is activated and the *Time until start* option is selected in the *Delay start* setting. The period of time in which the drying programme will start automatically is then shown in the display: *SmartStart*

The programme is started via an external signal.

The time period can be defined up to 24 hours. During this period, the tumble dryer waits for the external signal. If no signal is sent during the defined period, the tumble dryer starts the drying programme once the defined period of time has elapsed.

## Programme name

When selecting a standard programme, the name of the selected programme is shown in the display.

- Factory setting: On  
When a programme is selected, the programme name is displayed for a few seconds before the display shows the main menu.
- Off  
The main menu is displayed immediately.

# Supervisor level

---

## Visibility parameters

Various parameters are offered/ displayed when a programme is selected. You can decide which parameters should not be displayed. These parameters can then not be edited during programme selection.

- Residual moisture
- Duration
- Gentle tumble

## Drying level Cottons

### Drying level Minimum iron

### Drying level Automatic plus

You can alter the drying levels for the *Cottons*, *Minimum iron*, and *Automatic plus* programmes.

Changing this setting leads to increased energy consumption.

They can be set to one of 7 different levels.

Factory setting: Normal

## Drying level Machine iron

The *Machine iron* drying level in the *Cottons* programme can be individually adapted.

Changing this setting leads to increased energy consumption.

You can change the residual moisture in this programme to one of 11 levels from 16% (drier) to 26% (damper).

Factory setting: 20%

## Clean the airways

The tumble dryer's electronics calculate the degree at which fluff or detergent residue in the fluff filters and air ducts are impairing performance. A message to check them appears. You can decide at what level of fluff this reminder should be displayed.

You can adjust this reminder: Clean out the airways

- Off  
The reminder does not appear. However, if there is a very severe blockage in the ducting, the programme will be cancelled and the reminder will appear in the display regardless of this option.
- Heavy  
The reminder only appears when there is a heavy build-up of fluff.
- Factory setting: Normal
- Sensitive  
The reminder appears when there is only a small build-up of fluff.

## Programme packages

The tumble dryer's additional scope of programmes can be configured. The programmes are listed in the "Programme chart".

You can select various programme packages.

The programmes selected from the programme packages are displayed under ☆ *Special programmes*.

- **Sport**
  - Sportswear
  - Outerwear
  - Proofing
- **Home textiles**
  - Down bedding
  - Synthetic bedding
  - Large items
- **Hygiene**
  - Cottons hygiene
  - Minimum iron hygiene
  - Timed drying warm air, hygiene

## COM mod. selection

This tumble dryer is equipped with an integrated Wi-Fi module. However, the tumble dryer can also be equipped with an external module.

- Off
- Internal module (factory default)  
The internal Wi-Fi module is used.
- External module  
An XKM module or RS232 module is inserted into the module slot.

# Supervisor level

---

## Availability of Miele digital products

The ability of Miele digital products depends on the availability of the services in your country.

The different services are not available in all countries.

For information about availability, please visit [www.miele.com](http://www.miele.com).

## Wi-Fi / LAN

Control the networking of your tumble dryer.

- Setup  
This message only appears if the tumble dryer has not yet been connected to a Wi-Fi network.
- Deactivate (visible when the network is activated)  
The network remains set up; the Wi-Fi function is switched off.
- Activate (visible when the network is deactivated)  
The Wi-Fi function is reactivated.
- Connection status (visible when the network is activated)  
The following values are displayed:
  - the quality of Wi-Fi reception
  - the network name
  - the IP address
- Reset (visible if set up)  
Resets the Wi-Fi login (network) to immediately re-establish a new connection.
- Reset (visible if set up)

The network is no longer set up. To use the network again, a new connection must be established.

- The Wi-Fi is switched off.
- The Wi-Fi connection will be reset to the factory default setting.

## Wi-Fi setup

There are 2 possible connection methods.

### WPS

- Activate the WPS function on your router within 2 minutes.

**Useful tip:** If the connection has not been set up when the timeout has finished counting down, repeat the process.

### Soft AP

- Activate the function with the Miele App on your smart device within 10 minutes.

**Useful tip:** The App will guide you through the remaining steps.

## Network time

The date and time can be synchronised via the network.

- Off

The date and time are not synchronised via the network.

- as a master

The machines are in a network but are not connected to the internet. One machine is declared as the master and sends data to the *slave* devices.

- as a slave

The machines are in a network with internet connection. All machines are configured as *slaves*. Data is synchronised over the internet.

## Remote

Operating data relating to the tumble dryer (e.g. fault messages or notifications) is communicated externally.

- Factory setting: On

- Off

## Remote Update

(only available in selected countries)

The RemoteUpdate function is used for updating the software in your tumble dryer.

RemoteUpdate is activated at the factory.

If you do not install a RemoteUpdate, you can continue to use your tumble dryer in the usual way. However, Miele recommends installing remote updates.

### Activation

The RemoteUpdate menu option is only displayed and can only be selected if you have added your tumble dryer to your Wi-Fi network.

Miele's RemoteUpdate function can only be used if the tumble dryer is connected to a Wi-Fi network and you have an account in the Miele Professional App. The tumble dryer must be registered in the App.

See the Miele Professional App for terms and conditions of use.

Some software updates can only be carried out by a Miele service technician.

### Running a RemoteUpdate

If a RemoteUpdate is available for your tumble dryer, it will be displayed automatically when the Supervisor level is open.

You can choose to start the RemoteUpdate immediately or wait until later. If you select "Start later", the

# Supervisor level

---

prompt to run the RemoteUpdate will be displayed again the next time you switch on the dryer.

The RemoteUpdate can take several minutes.

Please note the following information about the RemoteUpdate function:

- You will only receive a message when a RemoteUpdate is available.
- Once a RemoteUpdate has been installed, it cannot be undone.
- Do not switch off the tumble dryer during a RemoteUpdate. Otherwise, the RemoteUpdate will be aborted and will not be installed.

## SmartGrid

(only available in selected countries)

The SmartGrid setting is only visible if a network has been set up and activated. You can use this function to integrate your tumble dryer into building energy management systems.

## Legal information

### Open source licences

You can view information at this point.

### **Copyright and licences for operating and control software**

For the purpose of operating and controlling the appliance, Miele uses proprietary or third-party software that is not covered by open source licensing terms. These items of software/software components are protected by copyright. The copyright powers of Miele and third parties must be respected.

In addition, the appliance contains software components which are distributed under open source licensing terms. You can access these open source components along with the associated copyright notices, copies of the valid licensing terms and any further information in the appliance under the menu option [Settings | Appliance parameters | Legal information | Open source licences](#). **The liability and warranty arrangements for the open source licences displayed at this location only apply in relation to the respective rights holders.**

## Payment system

The XCI-AD or XCI box accessory unit is required to connect a payment system.

### Settings for the payment system

If you wish to change the settings later, please contact Miele.

You would like to connect a payment system.

- No payment system  
The next settings are skipped and initial commissioning can be completed.
- Programme operation  
The machine is operated using a payment system. The user purchases a wash programme.
- Time operation  
The tumble dryer is coin-operated using a time meter. The user purchases a time-controlled programme.
- Timed operation with pulse counter  
For payment systems where the usage time is increased each time a coin is inserted.
- COM module  
The machine is operated by a central control unit.

## Feedback signal to pay system

Setting the feedback signal for the payment system.

- Factory setting: Off
- At the end of the programme  
The feedback signal is sent at the end of the programme.
- Release of the start button  
The feedback signal is sent when the start button is released.
- Start and end of the programme  
The feedback signal is sent at the start and the end of the programme.
- During the running programme  
The feedback signal is sent continuously from the start until the end of the programme.
- Process air temperature  
The feedback signal is sent dependent on the temperature if the temperature of the process air is equal to or higher than the set temperature.

## Payment system lock

To avoid tampering, a programme lock can be set up in programme operation. If the lock is applied, the programme is interrupted and payment credit is lost as soon as the door is opened.

To offer the possibility to add laundry, the time when the lock activates can be adjusted.

- Factory setting: Off

# Supervisor level

---

- As soon as the programme starts
- 1-5 minutes after the start of the programme

## Clear paid signal

The “Paid” signal in coin mode can be applied until the end of the programme or discarded after 5 minutes if the programme has not been started.

- Factory setting: Off
- On

## Debounce time

In coin mode, the debounce time for the minimum payment signal that must be applied can be adjusted.

- Factory default: Short
  - For payment systems where the falling coin generates the paid pulse.
- Long
  - For central control units on a 230 V basis.

## Payment system overriding time

Setting the transition signal for the payment system. Security time margin to prevent the payment system being tampered with.

The transition time can be adjusted in 15-minute increments between 30–240 minutes or switched off.

If the programme does not end within the transition period, the setting in the payment system is reset. The programme is cancelled.

Factory setting: 180 minutes

## Duration Cool air

The programme running time can be adjusted.

A time between 10 and 120 minutes can be set in 5-minute increments.

Factory setting: 120 minutes

## Duration Warm air

The programme running time can be adjusted.

A time between 20 and 120 minutes can be set in 5-minute increments.

Factory setting: 60 minutes

## FOC programmes

In coin mode, you can decide whether the *Timed drying cool air* programme can be used for free.

- Factory setting: Off
- On







**Miele Australia Pty. Ltd.**

ACN 005 635 398

ABN 96 005 635 398

**Melbourne:**

Level 4, 141 Camberwell Road

Hawthorn East, VIC 3123

Telephone: 1300 731 411

service.prof@miele.com.au

**[www.miele.com.au/professional](http://www.miele.com.au/professional)  
[sales@miele-professional.com.au](mailto:sales@miele-professional.com.au)**

**Miele New Zealand Limited**

IRD 98 463 631

8 College Hill

Freemans Bay

Auckland 1011

New Zealand

Telephone: 0800 4 MIELE

(0800 464 353)

[www.miele.com.au/professional](http://www.miele.com.au/professional)  
[sales@miele-professional.com.au](mailto:sales@miele-professional.com.au)



Miele Global Headquarters: Miele & Cie. KG  
Carl-Miele-Straße 29, 33332 Gütersloh, Germany

PDR 507 HP

en-AU, NZ

M.-Nr. 12 127 330 / 00