

## Operating and installation instructions Heat-pump tumble dryer



It is **essential** to read these operating instructions before installing and using the appliance. This prevents both personal injury and damage to the appliance.

# Contents

---

<b>Caring for the environment</b> .....	5
<b>Warning and Safety instructions</b> .....	6
<b>Operating the tumble dryer</b> .....	19
Control panel .....	19
How the control panel works .....	20
Drum lighting .....	21
<b>Using for the first time</b> .....	22
<b>1. Notes on correct laundry care</b> .....	23
Washing .....	23
Drying .....	23
Garment care label symbols .....	23
<b>2. Loading the tumble dryer</b> .....	24
<b>3. Selecting a programme</b> .....	25
Selecting a programme .....	25
Drying level programmes .....	25
Timed drying programmes and other programmes .....	26
Selecting Gentle tumble .....	26
Selecting Delay start .....	27
<b>4. Starting a programme</b> .....	28
<b>5. End of programme - unloading the drum</b> .....	29
At the end of the programme .....	29
Removing the laundry .....	29
Observing care instructions .....	29
<b>Programme chart</b> .....	30
<b>Changing the programme sequence</b> .....	33
Changing a programme after it has started .....	33
Adding or removing laundry .....	33
<b>Fragrance flacon</b> .....	34
Inserting a fragrance flacon .....	34
Opening the fragrance flacon .....	36
Closing the fragrance flacon .....	36
Removing/replacing the fragrance flacon .....	37

<b>Cleaning and care</b> .....	38
Observing cleaning intervals .....	38
Cleaning the filters.....	38
Removing the fragrance flacon .....	38
Removing visible fluff .....	39
Cleaning the fluff filters and air flow openings thoroughly .....	40
Cleaning the plinth filter.....	42
Removing the plinth filter .....	42
Cleaning the plinth filter.....	43
Replacing the plinth filter.....	43
Cleaning the plinth filter panel.....	45
Checking the heat exchanger.....	46
Inserting the plinth filter.....	47
Cleaning the dryer .....	48
<b>Problem solving guide</b> .....	49
Indicator lights or information in the time display .....	49
Unsatisfactory drying result.....	51
The drying process takes a long time. ....	52
Other problems .....	53
<b>Service</b> .....	54
Contact in case of fault .....	54
Optional accessories.....	54
<b>Installation</b> .....	55
Front view .....	55
Rear view.....	56
Installation locations.....	56
Side view .....	56
View from above.....	56
Washer-dryer stack .....	57
Transporting the dryer to its installation site .....	57
Installation .....	58
Downtime after installation.....	58
Levelling the dryer .....	58
Room ventilation .....	59
Drain hose for condensed water .....	60
Electrical connection .....	62
<b>Technical data</b> .....	63

# Contents

---

<b>Programmable functions</b> .....	64
Programming .....	64
<i>P01</i> Cottons drying levels .....	66
<i>P02</i> Minimum iron drying levels.....	66
<i>P04</i> Cooling phase .....	66
<i>P05</i> Buzzer volume.....	66
<i>P06</i> Keypad tone .....	67
<i>P07</i> PIN Code .....	67
<i>P08</i> Conductivity .....	67
<i>P11</i> Control panel switch-off status .....	68
<i>P13</i> Memory.....	68
<i>P14</i> Anti-crease .....	68
<i>P19</i> Buzzer.....	69
<i>P20</i> Airways indicator .....	69
<i>P23</i> Backlight brightness dimmed .....	69

### Disposal of the packing material

The transport and protective packaging has been selected from materials which are environmentally friendly for disposal, and can normally be recycled.

Recycling the packaging reduces the use of raw materials in the manufacturing process and also reduces the amount of waste in landfill sites. Ensure that any plastic wrappings, bags etc. are disposed of safely and kept out of the reach of babies and young children. Danger of suffocation.

### Disposing of your old appliance

Electrical and electronic appliances often contain valuable materials. They also contain specific materials, compounds and components, which were essential for their correct function and safety. These could be hazardous to human health and to the environment if disposed of with your domestic waste or if handled incorrectly. Please do not, therefore, dispose of your old appliance with your household waste.



Please dispose of it at your local community waste collection / recycling centre for electrical and electronic appliances. You are also responsible for deleting any personal data that may be stored on the appliance prior to disposal. Please ensure that your old appliance poses no risk to children while being stored prior to disposal.

# Warning and Safety instructions

---



- ▶ It is essential to read these instructions.

This tumble dryer complies with all current local and national safety requirements. However, inappropriate use can lead to personal injury and damage to property.

Read the operating instructions carefully before using the tumble dryer. They contain important information on safety, installation, use and maintenance of the appliance. This prevents both personal injury and damage to the tumble dryer.

In accordance with standard IEC 60335-1, Miele expressly and strongly advises that you read and follow the instructions in “Installation”, as well as in the “Warning and Safety instructions”.

Miele cannot be held liable for injury or damage caused by non-compliance with these instructions.

Keep these operating instructions in a safe place and pass them on to any future owner.

When instructing other people how to use the tumble dryer, they must be made aware of these Warning and Safety instructions.

## Correct application

- ▶ The dryer is intended exclusively for drying textiles washed in water which have been labelled as suitable for tumble drying by the manufacturer on the care label. Any other applications may be dangerous. Miele cannot be held liable for damage resulting from incorrect or improper use or operation.

## Warning and Safety instructions

---

- ▶ This tumble dryer is intended for commercial use in small businesses, care homes, sports clubs, hospitals and other similar commercial environments. This machine may also be operated by lay persons in public areas such as laundrettes, communal laundry rooms or similar.
- ▶ This tumble dryer is not suitable for outdoor use.
- ▶ This appliance is not intended for use by persons (including children) with reduced physical, sensory or mental capabilities, or lack of experience or knowledge, unless they are supervised whilst using it or have been shown how to use it in a safe way and understand and recognise the consequences of incorrect operation.
- ▶ Young children must not be allowed to use this appliance.
- ▶ Older children may only use the dryer if its operation has been clearly explained to them and they are able to use it safely. They must be able to understand and recognise the possible dangers caused by incorrect operation.
- ▶ Children must not be allowed to clean or maintain the tumble dryer unsupervised.
- ▶ Children should be supervised in the vicinity of the tumble dryer. Do not allow them to play with the appliance.

# Warning and Safety instructions

---

## Technical safety

- ▶ Before installing the dryer, check it for visible signs of damage. Do not install or use a damaged appliance.
- ▶ Do not make any alterations to the dryer, unless authorised to do so by Miele.
- ▶ Temporary or permanent operation with a self-sufficient or non-mains synchronous energy supply system (e.g. isolated networks, back-up systems) is possible. A requirement for the operation is that the energy supply system complies with all current local and national requirements that apply to stand-alone, solar and/or battery systems.

The protective measures provided in the installation and in this Miele product must also be assured in their function and operation in isolated operation or in non-mains synchronous operation, or replaced with equivalent measures in the installation.
- ▶ Do not connect the dryer to the mains electricity supply by an extension lead. Extension leads do not guarantee the required safety of the appliance (e.g. danger of overheating).
- ▶ If the electrical connection cable is faulty, it must only be replaced by a Miele authorised service technician to protect the user from danger.
- ▶ The electrical safety of this appliance can only be guaranteed when continuity is complete between it and an effective earthing system. It is essential that this standard safety requirement is observed and regularly tested. If in any doubt, have the electrical installation inspected by a qualified electrician. Miele cannot be held liable for the consequences of an inadequate earthing system (e.g. electric shock).
- ▶ Unauthorised repairs could result in unforeseen dangers for the user, for which Miele cannot accept liability. Repairs must only be carried out by a Miele authorised service technician, otherwise any subsequent damage will not be covered by the warranty.



## Warning and Safety instructions

---

- ▶ Faulty components must only be replaced by genuine Miele original spare parts. Miele can only guarantee the safety standards of the machine when Miele replacement parts are used.
- ▶ To ensure the correct performance of the tumble dryer and to prevent malfunctions and fire hazards, it is important to carry out maintenance on a regular basis.
- ▶ In the event of a fault and for cleaning purposes, the tumble dryer must be disconnected from the electricity supply. It is only completely disconnected when:
  - it is switched off at the wall socket or the plug is withdrawn, or
  - the mains fuse is disconnected, or
  - it is switched off at the mains circuit breaker.

For further information see “Installation - Electrical connection”.

- ▶ This tumble dryer must not be installed and operated in mobile locations (e.g. on a ship).
- ▶ Please observe the instructions in “Installation” and “Technical data”.
- ▶ The electrical socket must be easily accessible so that the tumble dryer can be disconnected from the electricity supply.
- ▶ If the appliance is hard wired, adequate provision must be made on site to switch off all poles to disconnect the tumble dryer from the electricity supply. The means of disconnection must be incorporated in the fixed wiring in accordance with the wiring rules.
- ▶ The gap between the bottom of the tumble dryer and the floor must not be blocked with plinth facings, deep pile carpet etc., which would obstruct the openings. This would hinder a sufficient flow of air to the tumble dryer.

## Warning and Safety instructions

---

- ▶ The appliance must not be installed behind a lockable door, a sliding door or a door with a hinge on the opposite side to that of the tumble dryer, in such a way that a full opening of the tumble dryer door is restricted.
- ▶ This tumble dryer is supplied with a special lamp to cope with particular conditions (e.g. relating to temperature, moisture, chemical resistance, abrasion resistance, and vibration). This special lamp must only be used for the purpose for which it is intended. It is not suitable for room lighting. Replacement lamps may only be fitted by a Miele authorised technician or by Miele Professional Service.
- ▶ Information on the heat pump and refrigerant
  - This tumble dryer uses refrigerant gas which is not flammable and not explosive.
  - The humming noises caused by the heat pump during the drying process are normal. They do not impair the correct functioning of the dryer.

 Damage to the tumble dryer by switching it on too soon.

This can damage the heat pump.

After setting up the tumble dryer, wait for at least one hour before switching it on.

- This tumble dryer contains fluorinated greenhouse gases. They are hermetically sealed.  
Designation of refrigerant: R450A  
Amount of refrigerant: 0.310 kg  
Global warming potential of refrigerant: 605 kg CO<sub>2</sub> e  
Global warming potential of appliance: 188 kg CO<sub>2</sub> e
- ▶ In areas which may be subject to infestation by cockroaches or other vermin, pay particular attention to keeping the appliance and its surroundings in a clean condition at all times. Any damage which may be caused by cockroaches or other vermin will not be covered by the warranty.

### Correct use



**WARNING:  
FLAMMABLE MATERIAL**

⚠ Warning: Risk of fire / Flammable materials.

To avoid the possible danger of fire, please read these warnings carefully.

⚠ A clogged filter is a fire hazard!

The fluff filter must be cleaned after every programme.

- ▶ The maximum load is 7 kg (dry laundry). See the “Programme chart” for the maximum recommended loads for individual programmes.
- ▶ Do not lean on the door. Otherwise, the tumble dryer may tip over, causing injury to yourself or others.
- ▶ Always close the door after use. This way you will avoid the danger of
  - children climbing into the tumble dryer or hiding things in it.
  - pets or other small animals climbing into the tumble dryer.
- ▶ Do not use a pressure washer or high-pressure hose to clean the tumble dryer.

## Warning and Safety instructions

---

► Keep the room where the tumble dryer is located free from dust and fluff. If the air that is taken into the machine contains dirt particles, they can cause blockages. This can lead to faults and create a fire hazard.

## Warning and Safety instructions

---

- ▶ The tumble dryer must not be used
  - without the fluff filters and the filter in the plinth in place.
  - without the bottom right grille fitted.
  - if the fluff filters or the filter in the plinth are damaged in any way. In case of damage, fluff filters and plinth filter must be replaced immediately.

A damaged filter would cause an excessive build-up of fluff which in turn would cause a fault.

- ▶ To ensure problem-free operation of the dryer:
  - Remove the fluff from the filter surfaces and the fluff filters after every drying cycle.
  - In addition, the fluff filters, filter surfaces, the grille at the bottom right and the air passages must be cleaned when prompted by the display.
  - Fluff must not be allowed to accumulate around the tumble dryer.
  - The fluff filter and plinth filter must be thoroughly dried after cleaning them with water. Do not replace them if they are damp or wet. Wet or damp filters could cause operational faults.

▶ Do not install the tumble dryer in a room where there is a risk of frost. At temperatures around freezing point, the tumble dryer may not be able to operate properly. There is a risk of damage if the condensed water is allowed to freeze in the pump and drain hose. The permitted room temperature is between 2 °C and 35 °C.

▶ If the water is drained externally, make sure the drain hose is secured against slipping, e.g. if you hang it in a laundry tub or laundry trough.

Otherwise the hose may slip off and the condensation water flowing out may cause damage.

▶ Condensed water is not drinking water.

It can cause health problems in both people and animals if consumed.

## Warning and Safety instructions

---

► To prevent the risk of fire, the following textiles must not be dried in the tumble dryer:

- Items which have not been washed.
- Items, such as workwear, which have not been thoroughly cleaned and are still soiled with grease, oil or other deposits (such as cooking oils, cosmetics, lotions, etc.). If items have not been thoroughly cleaned, there is a danger that they might ignite when heated, even after they have been removed from the tumble dryer at the end of the programme.
- Items (e.g. mops and floor cloths) that have been treated with inflammable cleaning agents or which contain residues of acetone, alcohol, benzene, petrol, kerosene, stain remover, turpentine, wax and wax remover or other chemicals.
- Items which have been splashed with hair lacquer, hair spray, nail varnish remover or similar substances.

When washing such heavily soiled items ensure that you use a larger quantity of detergent and select a high temperature. If in doubt, wash the items several times.

► Oil-affected items can ignite spontaneously, especially when exposed to heat sources such as in a tumble dryer.

The items become warm, causing an oxidation reaction in the oil. Oxidation creates heat.

If the heat cannot escape, the items can become hot enough to catch fire. Piling, stacking or storing oil-affected items can prevent heat from escaping and so create a fire hazard.

If it is unavoidable that fabrics contaminated with vegetable or cooking oil, or hair care products, be placed in a tumble dryer, they should first be washed in hot water with extra detergent - this will reduce, but not eliminate, the hazard.

► Remove all items from pockets (e.g. lighters, matches).

## Warning and Safety instructions

---

▶ **WARNING:** Never switch the tumble dryer off before the end of the drying programme unless all items are removed immediately and spread out to cool down.

▶ Fire hazard!

This tumble dryer must not be connected to a controllable socket (e.g. a timer or a peak-load switch-off device).

There is a risk of the laundry self-igniting if the drying programme is cancelled before the cooling phase has finished.

▶ To prevent the risk of fire, the following textiles must never be dried in the tumble dryer:

- Items which have been cleaned using industrial chemicals (e.g. professional dry-cleaning agents).
- Fabrics which contain a large proportion of rubber, foam rubber or rubber-like materials. For example, products made from latex foam rubber, shower caps, waterproof textiles, rubberised articles and items of clothing and pillows with foam rubber filling.
- Fabrics which contain padding or fillings which are damaged (e.g. pillows, jackets). The filling could fall out and cause a fire.

▶ The programme finishes when the cooling phase has been completed. Many programmes are followed by a cooling phase to ensure that the items are not too hot to handle when you remove them (this also reduces the risk of the laundry self-igniting). Make sure that you do not remove the laundry until the programme has finished.

## Warning and Safety instructions

---

- ▶ Fabric softener and similar products must be used according to the instructions on the manufacturer's packaging.
- ▶ Do not store or use petrol, kerosene, paraffin or other flammable substances near the dryer. Risk of fire and explosion!
- ▶ Do not expose the dryer to air which contains chlorine, fluorine or other solvent vapours. This contaminated air can cause a fire.
- ▶ For appliance parts made from stainless steel:  
Avoid contact between stainless steel surfaces and liquid detergents or disinfecting agents containing chlorine or sodium hypochlorite. These agents can cause corrosion on stainless steel. Aggressive chlorine bleach vapours can also be corrosive. Do not store open containers of these agents near the appliance.



### Using a fragrance flacon (optional accessory)


- ▶ Only ever use original Miele fragrance flacons.
- ▶ The fragrance flacon must be stored in its packaging so please make sure you retain this.
- ▶ Make sure that you always keep the fragrance flacon, or the fluff filter with the flacon inserted in it, in a horizontal position when carrying it, and do not tip or place it down on any surface. The fragrance can leak.
- ▶ Use an absorbent cloth immediately to wipe up any fragrance which has run out of the flacon onto the floor, the dryer or any dryer components (e.g. the fluff filter).
- ▶ If fragrance which has run out of a flacon should come in contact with the **skin** - wash the skin thoroughly with soap and water; come in contact with the **eyes** - rinse the eyes with clean water for at least 15 minutes; be swallowed - rinse out the **mouth** thoroughly with clean water. Seek medical advice in the case of contact with the eyes or if fragrance has been swallowed.
- ▶ If fragrance which has run out of a flacon comes in contact with clothing, change the clothing immediately. Wash the clothing or any cloths used for mopping up fragrance thoroughly with plenty of water and detergent.
- ▶ There is the risk of fire or damage to the tumble dryer if the following instructions are not observed:
  - Never refill a flacon with fragrance.
  - Never use a faulty fragrance flacon.
- ▶ Dispose of an empty fragrance flacon with the household waste and never use it for any other purpose.
- ▶ Please also observe the information supplied with the fragrance flacon.

# Warning and Safety instructions

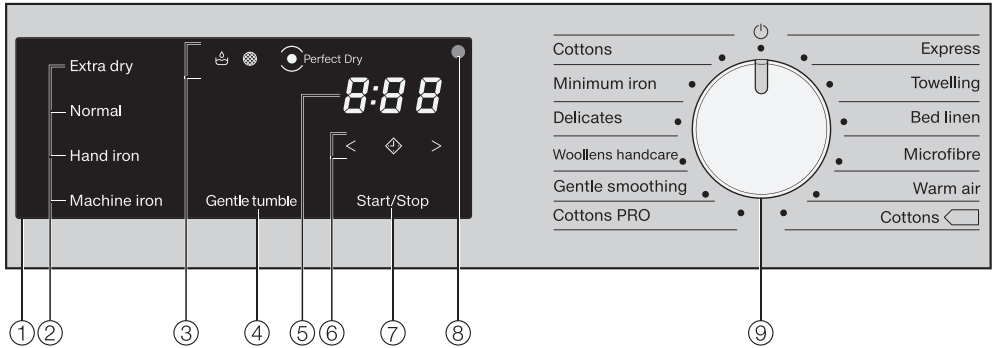
---








## Accessories

- ▶ Only use genuine Miele spare parts and accessories with this machine.  
If spare parts or accessories from other manufacturers are used, any warranty, performance and product liability claims will be invalidated.
- ▶ Miele tumble dryers and Miele washing machines can be installed as a washer-dryer stack. This requires a Miele washer-dryer stacking kit which can be purchased separately. Please ensure that the washer-dryer stacking kit is suitable for your Miele tumble dryer and your Miele washing machine.
- ▶ If you order a plinth for this tumble dryer (available from Miele as an optional accessory), make sure it is the correct one.

 Miele cannot be held liable for damage caused by non-compliance with these Warning and Safety instructions.

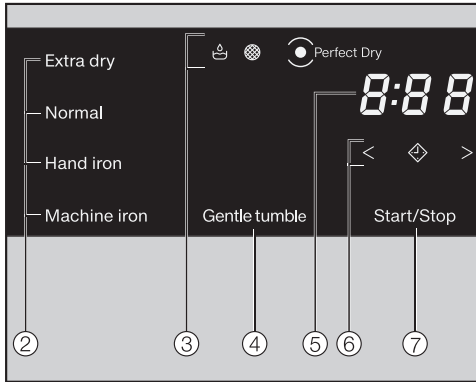
## Control panel



- ① **Control panel**
- ② **Sensors for the drying levels**
- ③ **Indicator lights**     
light up when necessary
- ④ **Gentle tumble sensor**  
for gentle drying
- ⑤ **Time display**  
for the programme duration
- ⑥ **Sensors**     
for time selection
- ⑦ **Start/Stop sensor**  
for starting the selected programme  
and cancelling a programme that has  
already started
- ⑧ **Optical interface**  
for service technicians
- ⑨ **Programme selector**  
for selecting programmes and for  
switching off. The dryer is switched  
on by selecting a programme, and  
switched off by turning the  
programme selector to the   
position.

# Operating the tumble dryer

## How the control panel works



The ②, ④, ⑥, and ⑦ sensors react to fingertip contact. Selection is possible as long as the respective sensor is illuminated.

If a sensor is brightly lit, this means it is currently selected.




If a sensor is dimly lit, this means it can be selected.

### ② Sensors for the drying levels


After selecting a drying programme with the programme selector, the proposed drying level lights up.

Drying levels that can be selected are dimly lit.

### ③ Indicator lights

-  lights up if condensate drainage via the drain hose is hindered.
-  lights up when the plinth filter needs to be cleaned.
-  *Perfect Dry*  
With programmes with a selectable drying level, the Perfect Dry system calculates the residual moisture present in the laundry to ensure a precise drying result.  
After starting the programme, this message . . .  
. . . will flash until the programme duration has been determined, and then go out.  
. . . will light up when the selected drying level is reached near the end of the programme.  
. . . will remain dark with the following programmes: *Woollens handcare*, *Warm air*.

### ④ Gentle tumble sensor

For drying temperature-sensitive textiles with the  symbol. When the sensor is touched, *Gentle tumble* lights up brightly.

With some programmes, *Gentle tumble* is always active (lights up) or inactive (does not light up).



## ⑤ Time display

The remaining programme duration is displayed in hours and minutes.

With most programmes, the duration displayed may vary or "jump". The following factors, among others, affect the programme duration displayed: the quantity of laundry, the type of fabric and the residual moisture in the laundry. The electronics will continually assess the conditions and adjust the programme duration with increasing accuracy.

## ⑥ Sensor controls < >

- 

After touching the  sensor, a later start time for the programme (Delay start) can be selected. Once selected,  lights up brightly.

- < >

The < or > sensors are used for selecting the duration of the Delay start period or the duration of the *Warm air* programme.

## ⑦ Start/Stop sensor

Touching the *Start/Stop* sensor starts the selected programme or cancels a programme that has already started. The programme can be started when the sensor is flashing on and off. The sensor lights up constantly once the programme has started.

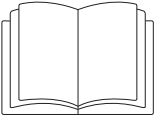
## Drum lighting


The lighting helps to ensure that all items are removed from the drum.

The drum lighting will go out automatically to save energy.


## Using for the first time

---



 Risk of injury or damage to property due to improper installation. Improper installation of the tumble dryer may result in personal injury or damage to property.

Before using the tumble dryer for the first time, make sure it has been installed and connected correctly. Please observe the instructions in "Installation and connection".

 Damage caused by switching the appliance on too soon.


This can damage the heat pump. After setting up the tumble dryer, wait for at least one hour before starting a drying programme.

# 1. Notes on correct laundry care

## Washing


- Wash heavily soiled laundry thoroughly. Ensure that you use sufficient detergent and select a high temperature. If in doubt, wash the items several times.
- New, coloured items should be washed thoroughly and separately. Do not dry these garments together with light coloured garments. There is the risk of colours running and discolouring other garments or even plastic components in the tumble dryer. Dark coloured fluff can also settle on light coloured garments and vice versa.

## Drying

 Damage due to foreign objects which were not removed from the laundry.

Foreign objects can melt, burn, or explode.

Ensure that any foreign objects (e.g. detergent dispensing balls, lighters, etc.) have been removed from the laundry.

 Risk of fire due to incorrect use and operation.








The laundry can burn and destroy the dryer and the surroundings.

See “Warning and Safety instructions” for further information.

- Check seams and stitching to ensure that padding and linings are intact. This way you can prevent fillings from falling out, which could create a fire hazard.

- Sew in or remove loosened underwiring from bras.

## Garment care label symbols

Drying	
	normal/higher temperature
	reduced temperature*
* select <i>Gentle tumble</i>	
	Do not tumble dry
Ironing	
	very hot
	hot
	hot
	Do not iron

## 2. Loading the tumble dryer

### Loading the laundry

Textiles can be damaged.  
Before loading the dryer, read “1. Notes on correct laundry care”.



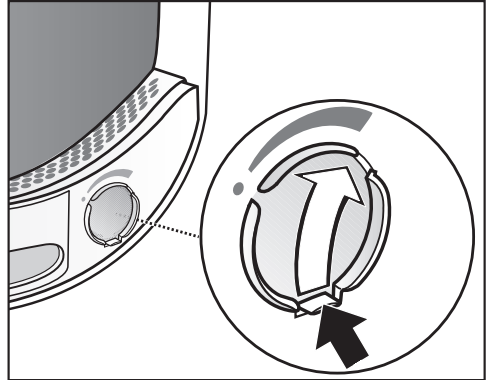
- Open the door.
- Load the laundry.

Textiles can be damaged.  
When closing the door, make sure that laundry does not get trapped in the door opening.

Do not overload the drum.  
Overloading can cause unnecessary wear and tear to the laundry and give a disappointing drying result. It can also cause more creasing.

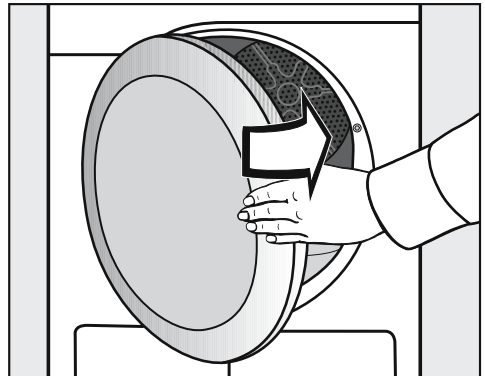
### Socket for the fragrance flacon

See the section “Fragrance flacon” for information on how to use fragrance flacons.



If you are not using a fragrance flacon:  
Push the tab down completely (see arrow) so that the socket is closed. Otherwise, fluff will accumulate here.

### Closing the door




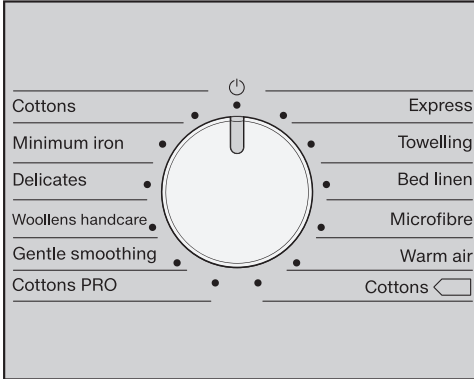
- Shut the door with a gentle swing.



## 3. Selecting a programme

### Selecting a programme

The dryer is switched on by selecting a programme, and switched off by turning the programme selector to the  position.



- Turn the programme selector.

A drying level may light up and durations will appear in the time display.

### Drying level programmes

Cottons, Minimum iron, Delicates, Gentle smoothing, Express, Microfibre

The preset drying level for the programme can be changed if required.

Extra dry

Normal

Hand iron

Machine iron

- Touch the sensor for the drying level you want. It will light up brightly.

Any drying level can be selected for the *Cottons* and *Express* programmes. A limited range is available with the other programmes.

### 3. Selecting a programme

#### Timed drying programmes and other programmes

##### Warm air

You can set the duration in ten-minute increments from 0:20 minutes to 2:00 hours.



- Touch the < or > sensor repeatedly until the required programme duration appears in the time display.

Cottons <□>, Cottons PRO, Towelling, Bed linen, Woollens handcare

The drying level is preset by the dryer and cannot be altered.

#### Selecting Gentle tumble

Delicate fabrics (with the ☐ symbol on the care label, e.g. acrylic garments) are dried at a lower temperature. The programme duration is longer.

- Touch the *Gentle tumble* sensor. It will light up brightly.
- *Gentle tumble* can be selected with the following programmes:
  - *Cottons*
  - *Minimum iron*
  - *Warm air*
- *Gentle tumble* is always activated/ cannot be deselected with *Delicates* and *Gentle smoothing*.


## 3. Selecting a programme

### Selecting Delay start

With Delay start you can delay the start of a programme from 0:30 minutes up to 24h (hours).

**However:** Delay start cannot be used with the *Warm air* programme.



■ Touch the  sensor.

 lights up brightly.

■ Touch the > or < sensor repeatedly until the required Delay start time appears in the time display.


**Useful tip:** The time will count upwards and downwards automatically if you touch the > or < sensor continuously.

### Altering Delay start

- Touch the *Start/Stop* sensor.
- Touch the > or < sensor repeatedly until the required Delay start time appears in the time display.
- Touch the *Start/Stop* sensor.

The Delay start function continues to count down.

### Cancelling Delay start

- Turn the programme selector to the  position.

### Delay start countdown

- Delay start times of more than 10h will count down in hours and then in minutes until the start of the programme.
- The drum will rotate briefly every hour until the start of the programme to reduce laundry creasing (Anti-crease function).

## 4. Starting a programme

---

### Starting a programme

- Touch the flashing *Start/Stop* sensor.

The *Start/Stop* sensor lights up continuously.

#### Programme sequence

- If Delay start has been selected, the Delay start time will start to count down first.
- With a longer Delay start time, the drum will rotate occasionally. This will loosen up the laundry.
- The programme starts.
- The *Perfect Dry* indicator will only flash/light up with programmes with selectable drying levels (see also “Operating the tumble dryer”).
- The tumble dryer measures the residual moisture of the laundry and calculates the required programme duration.  
If a small load or dry laundry is placed in the dryer, it is dried/aired for a preset duration. In this case, the *Perfect Dry* indicator does not light up at the end of the programme.

Laundry items and fabrics can wear out unnecessarily.  
Avoid overdrying laundry and garments.

#### Energy savings

After 10 minutes, the indicators dim. The *Start/Stop* sensor flashes slowly.

- Touch the *Start/Stop* sensor to switch the indicators on again (this does not have any effect on a running programme).
- Before the programme finishes, the laundry is cooled in the cooling phase.

## 5. End of programme - unloading the drum

### At the end of the programme

The laundry is cooled down shortly before the end of the programme. The laundry can then be removed.

The programme has ended when only 0:00 is shown in the display.

If *Anti-crease* has been selected (see "Programmable functions"), the drum will rotate in intervals. This reduces creasing if the laundry cannot be removed straight away.

The tumble dryer switches off automatically 15 minutes after the end of the programme.

### Removing the laundry



- Open the door.
- Make sure that you empty the drum completely.

Items left in the dryer could be damaged by overdrying when the dryer is used the next time. Always remove all items from the drum.

- Switch the tumble dryer off.

### Observing care instructions

This tumble dryer requires regular maintenance, particularly if it is used on a continuous basis.

**Useful tip:** See "Cleaning and care". Read the section "Observing cleaning intervals" first.

## Programme chart


All weights marked with \* are based on the weight of dry laundry.

<b>Cottons</b>		<b>Max. load 7 kg*</b>
<b>Extra dry, Normal</b>		
Items	<ul style="list-style-type: none"> <li>- Single and multi-layered cotton fabrics.</li> <li>- Towelling, bathrobes, T-shirts, underwear, jersey/terry bed linen, baby clothes.</li> <li>- Workwear, jackets, cotton blankets, aprons, tea towels, bed linen, towels, overalls, table linen.</li> </ul>	
Notes	<ul style="list-style-type: none"> <li>- Select <i>Extra dry</i> for multi-layered and very thick fabrics.</li> <li>- Do not use <i>Extra dry</i> for jersey fabrics (e.g. T-shirts, underwear, baby clothes), as they have a tendency to shrink.</li> </ul>	
<b>Hand iron, Machine iron</b>		
Items	<ul style="list-style-type: none"> <li>- Cotton and linen fabrics.</li> <li>- Table linen, bed linen, or starched laundry.</li> </ul>	
Notes	To prevent laundry from drying out, it should be rolled up until you are ready for ironing.	
<b>Minimum iron</b>		<b>Max. load 4 kg*</b>
<b>Normal, Hand iron plus</b>		
Items	<ul style="list-style-type: none"> <li>- Minimum iron items made of cotton, synthetic, or mixed fibre.</li> <li>- Workwear, overalls, pullovers, dresses, trousers, leggings and table linen.</li> </ul>	
<b>Delicates</b>		<b>Max. load 4 kg*</b>
<b>Normal, Hand iron plus</b>		
Items	<ul style="list-style-type: none"> <li>- Delicate items made of cotton, synthetic, or mixed fibre.</li> <li>- Lightweight pullovers, dresses, trousers, overalls, table cloths, shirts and blouses.</li> <li>- Lingerie and appliquéd fabrics.</li> </ul>	
Notes	Less creasing occurs in this programme.	
Notes	Reducing the load will further reduce creasing.	

# Programme chart

<b>Woollens handcare</b>		<b>Max. load 2 kg*</b>
Items	Woollen garments and textiles containing wool blends, e.g. pullovers, cardigans, stockings.	
Notes	<ul style="list-style-type: none"> <li>- Wool and wool blend items are only fluffed up; they are not dried completely.</li> <li>- Remove items as soon as the programme has finished and leave to finish drying at room temperature.</li> </ul>	
<b>Gentle smoothing</b>		<b>Max. load 1 kg*</b>
<b>Normal, Hand iron plus</b>		
Items	<ul style="list-style-type: none"> <li>- Cotton and linen fabrics.</li> <li>- Minimum iron items made of cotton, synthetic or mixed fibre. For example: cotton trousers, jackets, anoraks, and shirts.</li> </ul>	
Notes	<ul style="list-style-type: none"> <li>- This programme smooths out creasing caused during the spin cycle in the washing machine.</li> <li>- This programme is also suitable for dry fabrics.</li> <li>- Remove garments as soon as the programme has finished.</li> </ul>	
<b>Cottons PRO</b>		<b>Max. load 7 kg*</b>
Items	Cotton items such as those described under <i>Cottons Normal</i> with normal residual moisture.	
Notes	This programme only dries to the <i>Normal</i> level.	
<b>Express</b>		<b>Max. load 4 kg*</b>
<b>Extra dry, Normal, Hand iron, Machine iron</b>		
Items	Hard-wearing textiles suitable for the <i>Cottons</i> programme.	
Notes	Shorter programme duration	
<b>Bedding and towelling</b>		<b>Max. load 7 kg*</b>
Items	Large quantities of single-layered and multi-layered towelling items. These include towels, bath robes, face washers, terry bed linen.	
Notes	This programme only dries to the <i>Extra dry</i> level.	
<b>Bed linen</b>		<b>Max. load 4 kg*</b>
Items	Bed linen, pillow cases.	
Notes	This programme only dries to the <i>Normal</i> level.	

# Programme chart


<b>Microfibre</b>		<b>Max. load 7 kg*</b>
<b>Extra dry, Normal</b>		
Items	Microfibre mops and cleaning cloths.	
<b>Warm air</b>		<b>Max. load 7 kg*</b>
Items	<ul style="list-style-type: none"> <li>- Jackets, sleeping bags, pillows and other voluminous items.</li> <li>- Fabrics made up of multiple layers, e.g. heavy cotton table cloths.</li> <li>- Individual items of laundry, e.g. towels, swimwear, tea towels.</li> </ul>	
Notes	<ul style="list-style-type: none"> <li>- For finishing drying multi-layered or voluminous items that dry unevenly due to their composition.</li> <li>- For drying a small number of individual garments.</li> <li>- Do not select the longest drying time to start with. Check the items as you are drying them to find the optimal time.</li> </ul>	
<b>Cottons</b> 		<b>Max. load 7 kg*</b>
Items	Cotton items such as those described under <i>Cottons Normal</i> with normal residual moisture.	
Notes	This programme only dries to the <i>Normal</i> level.	



# Changing the programme sequence

## Changing a programme after it has started

Programme selection is no longer possible (protection against unintentional changes). If you want to select a new programme, you must first cancel the running programme.

 Risk of fire due to incorrect use and operation.

The laundry can burn and destroy the dryer and the surroundings.

See “Warning and Safety instructions” for further information.

If you move the programme selector, **-D-** will light up in the time display. **-D-** goes out when you select the original programme again.

## Cancelling the current programme

- Touch the *Start/Stop* sensor.

The items will be cooled down, depending on the temperature reached and how long they have been dried for.

**0:00** will light up if you press the *Start/Stop* sensor again during the cooling phase.


- Open the door.

## Selecting another programme

- Close the door.
- Turn the programme selector to a different programme.
- Touch the *Start/Stop* sensor.

## Adding or removing laundry

- Open the door.

 Risk of burning when touching hot laundry in the drum.

You could burn yourself.

Let the laundry cool down and remove it carefully.

- Add or remove laundry.
- Close the door.
- Start the programme.

## Adding laundry during the Delay start period

You can open the door to add or remove laundry.

- All programme settings will be saved.
- You can change the drying level, if required.
- Open the door.
- Add or remove laundry.
- Close the door.
- Touch the *Start/Stop* sensor so that the Delay start period continues.


## Remaining programme time

Altering the programme sequence can cause the programme duration shown in the display to “jump”.

# Fragrance flacon

## Inserting a fragrance flacon

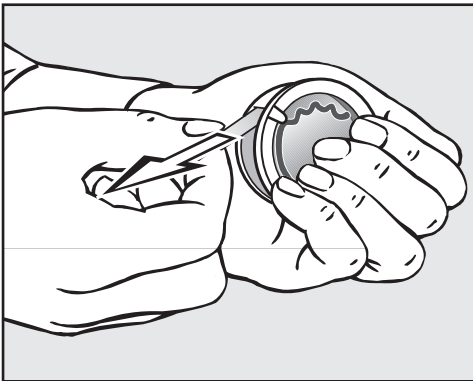
Fragrance flacons (optional accessories) can be used to give your laundry a pleasant scent.

 Risk of fire and harm to health if fragrance flacons are used incorrectly.

Leaked fragrance can be harmful to your health if it comes in contact with the body. Leaked fragrance can cause a fire.

Before using a fragrance flacon, please read the section “Using a fragrance flacon (optional accessory)” in the Warning and Safety instructions.

Only hold the fragrance flacon as illustrated. Do not hold it at an angle or tip it as the fragrance will leak out.

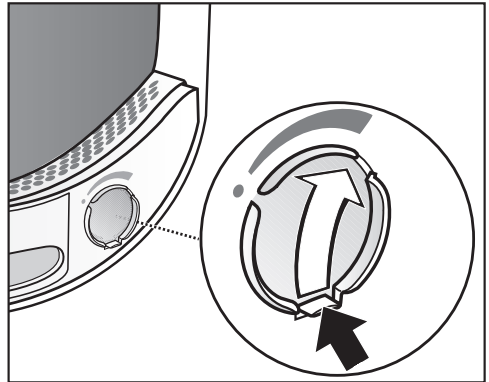


- Hold the fragrance flacon securely so that you do not open it by mistake.
- Pull off the protective seal.
- Open the door of the tumble dryer.

The fragrance flacon is inserted in the upper fluff filter. The socket is next to the recessed grip.

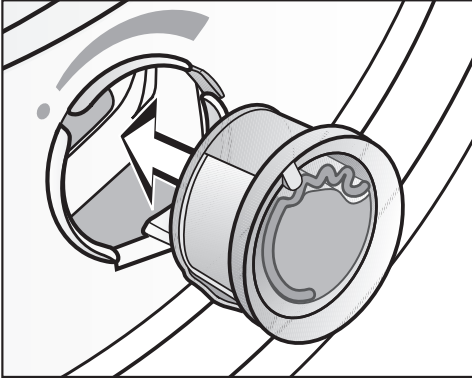
To prevent the accumulation of fluff, the cover of the unused socket must remain closed.

Push the tab of the cover all the way down (see arrow).

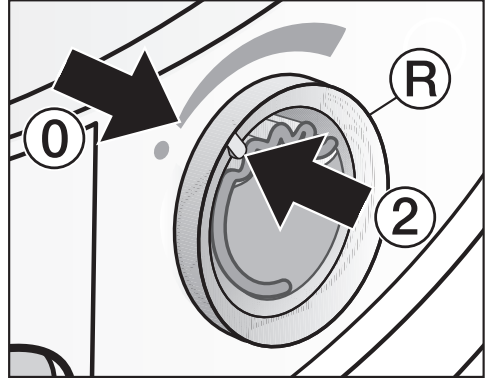


- Open the cover using the tab until the tab is right at the top as shown.

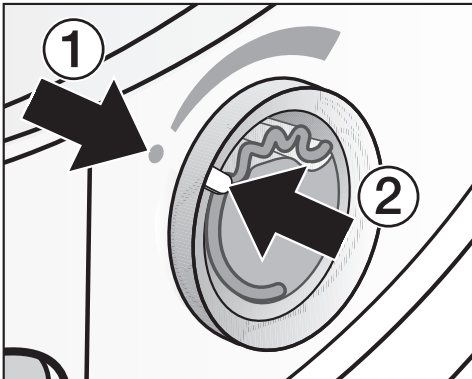
## Fragrance flacon



- Insert the fragrance flacon in the opening as far as it will go.



- Turn the outer ring **®** clockwise a little.



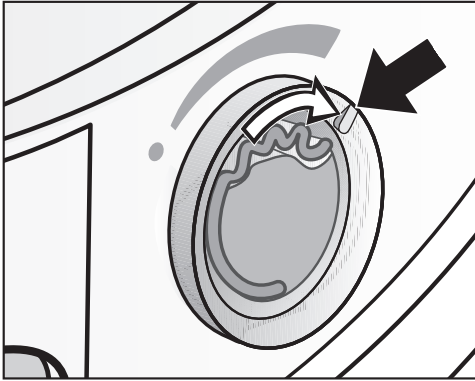
Markers ① and ② must line up with each other.

The fragrance flacon can slip out.  
Turn the outer ring so that markers ② and ① line up.

# Fragrance flacon

## Opening the fragrance flacon

Before drying, you can select the intensity of the fragrance.

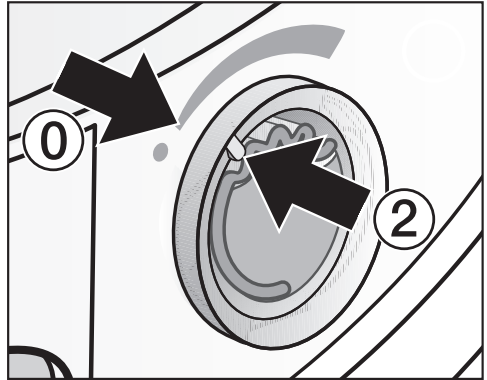


- Turn the outer ring clockwise: the further you open the fragrance flacon, the more intense the fragrance.

The fragrance is only released into the laundry effectively with damp laundry and longer drying times with sufficient heat transfer. The fragrance will also be noticeable in the room air during the drying process. Fragrance is generally not released in the *Timed drying cool air* programme.

## Closing the fragrance flacon

After drying, the fragrance flacon should be closed to prevent the fragrance from escaping needlessly.

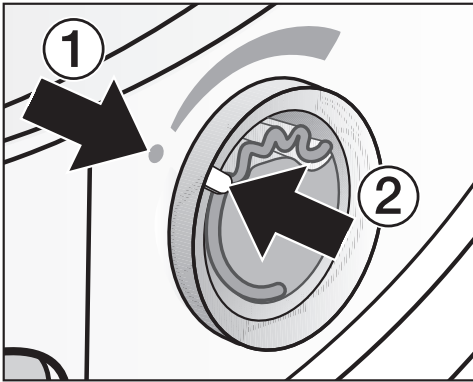


- Turn the outer ring anti-clockwise until marker ② is in position ①.

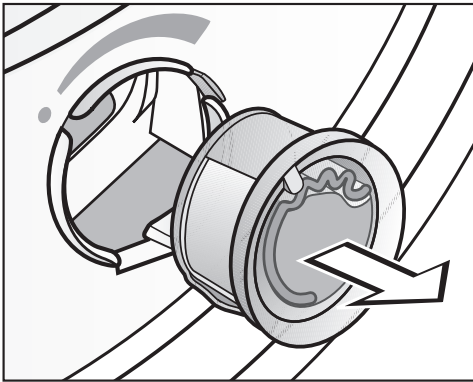
If you wish to dry without the fragrance flacon: Remove the fragrance flacon and store it in its original packaging.

When the intensity of the fragrance is no longer sufficient, replace the fragrance flacon with a new one.

## Removing/replacing the fragrance flacon



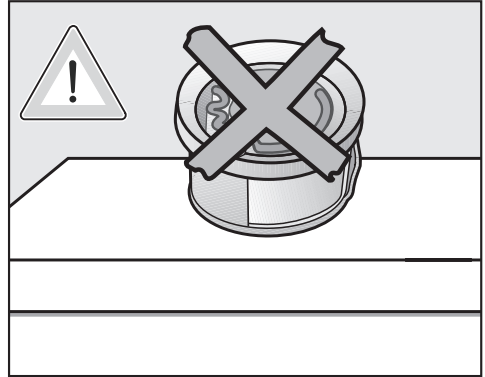
- Turn the outer ring anti-clockwise until markers ① and ② line up.



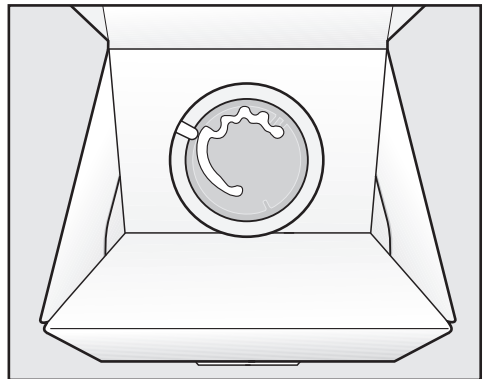
- Replace the fragrance flacon with a new one.

When not in use, you can store the fragrance flacon in its original packaging.

Fragrance flacons are available to order from Miele or via the Miele online shop ([shop.miele.com](http://shop.miele.com)).



Fragrance can leak. Do not lay the fragrance flacon down.



- If you are keeping the fragrance flacon in its original packaging, do not store the packaging upright on its edge or upside down. Otherwise, the fragrance will leak out.
- Always store in a cool, dry place away from direct sunlight.
- When purchasing new fragrance flacons, only remove the protective seal just before use.

# Cleaning and care

## Observing cleaning intervals

This tumble dryer is equipped with a multi-stage filter system, which consists of fluff filters and a filter in the plinth.

This filter system collects all fluff generated during the drying process.

Failure to clean the filters regularly could increase drying times.



**Fire hazard due to irregular maintenance.**

Too many fluff deposits in the filter system and tumble dryer pose a fire hazard.

Check the filter system and the air flow openings on a regular basis.

Clean the filters if you find any fluff deposits.



**Damage caused by a missing or damaged filter system.**

Too many fluff deposits in the filter system and tumble dryer will increase the risk of appliance malfunctions and cause a fire hazard.

Never use the tumble dryer without the filter system. Always replace a damaged filter system immediately.

## Cleaning the filters

This tumble dryer has 2 fluff filters in the door opening: The upper and lower fluff filters trap fluff produced during the drying process.

Clean the fluff filters after each drying programme. This prevents an extension of the programme duration.

Also clean the fluff filters when the  indicator light comes on.

To turn the  indicator light off:

- Open and close the door while the dryer is switched on.

## Removing the fragrance flacon

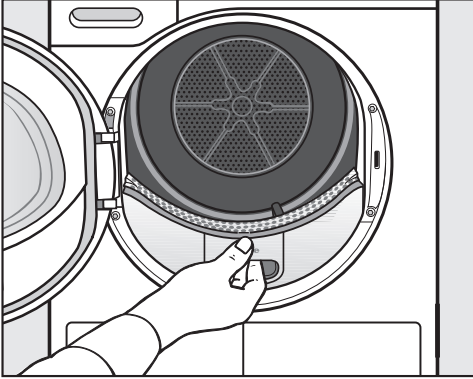
The intensity of the fragrance will be diminished if the fluff filters and the plinth filter are not cleaned.

- Remove the fragrance flacon. See “Fragrance flacon - Removing/replacing the fragrance flacon”.

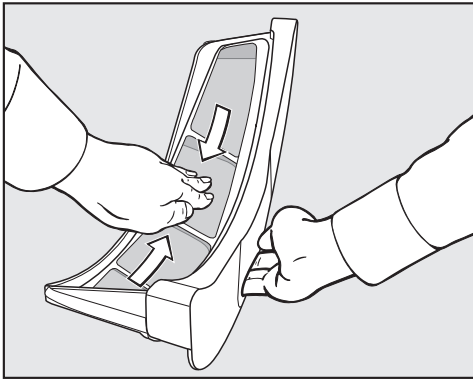
## Removing visible fluff

**Useful tip:** You can also use a vacuum cleaner so that you can remove the fluff without touching it.

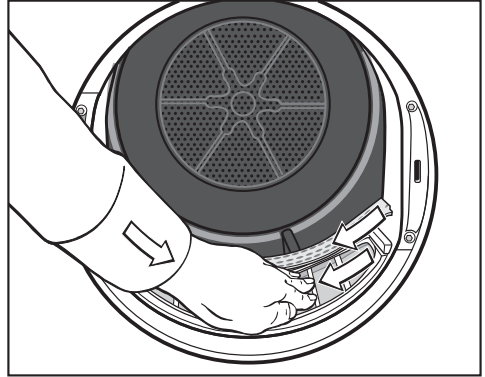
- Open the door.



- Pull the upper fluff filter forward to remove it.



- Remove the fluff (see arrows).



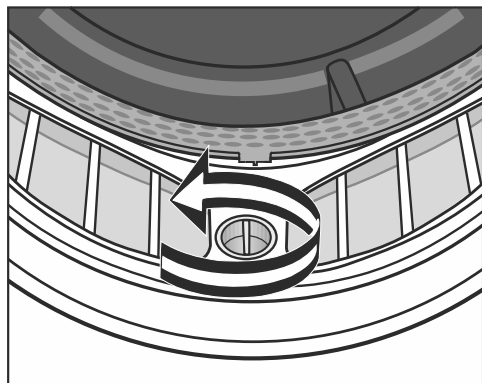
- Remove the fluff (see arrows) from the filter surface of all the fluff filters and the perforated laundry deflector.
- Push the upper fluff filter back in until it clicks into position.
- Close the door.

## Cleaning and care

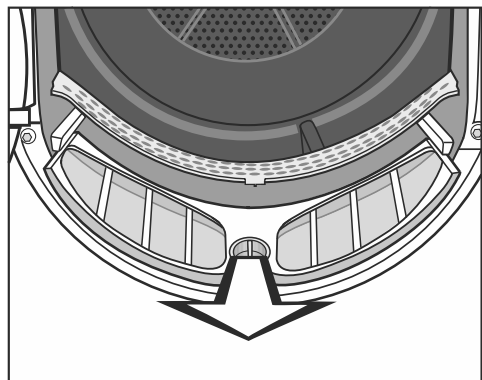
### Cleaning the fluff filters and air flow openings thoroughly

If the drying duration has become longer or the surface of the filters is visibly compacted with fluff, you should carry out the following cleaning procedure.

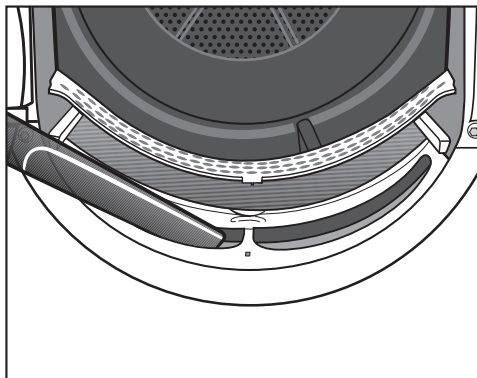
- Remove the fragrance flacon. See “Fragrance flacon”.
- Pull the upper fluff filter forward to remove it.



- Turn the yellow dial on the lower fluff filter in the direction of the arrow (until you hear it click).



- Hold the dial and pull the fluff filter forwards to remove it.



- Use a vacuum cleaner with a long crevice nozzle attached to remove any visible fluff from the upper air flow openings.

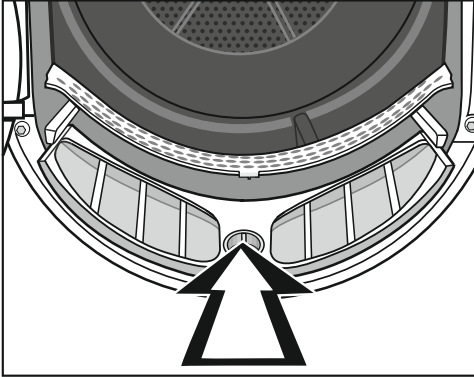
Finally, clean the fluff filters with water.

### Cleaning the fluff filters with water

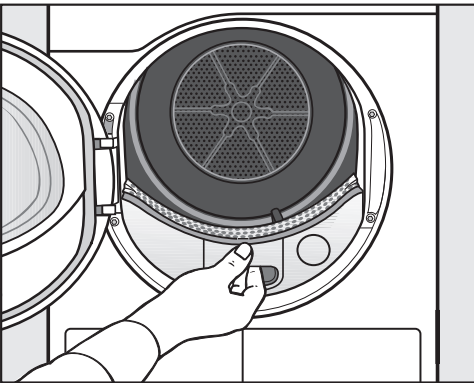
- Rinse the filters with warm running water.
- Wipe the smooth plastic surfaces of the fluff filters with a damp cloth to clean them.

Ensure the filters are dry before replacing them. Damp or wet filters can cause operational faults. Shake the fluff filters thoroughly and then dry them carefully.






- Push the lower fluff filter in completely and lock it with the yellow dial.



- Push the upper fluff filter in completely.
- Close the door.

# Cleaning and care


## Cleaning the plinth filter

Clean the plinth filter whenever the  indicator light comes on or when the programme duration is longer than usual.


To turn the  indicator light off:

- Open and close the door while the dryer is switched on.

### Useful tip:

With normal use of the tumble dryer, clean the plinth filter when the  indicator light comes on.

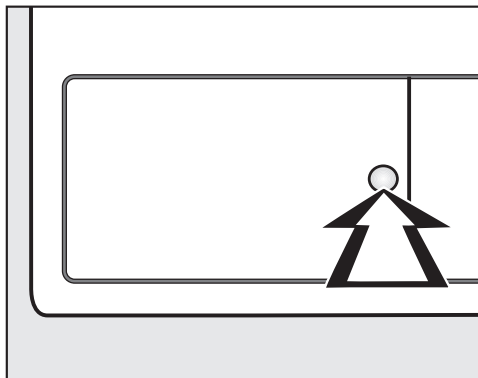
With continuous use of the tumble dryer, clean the plinth filter once a day.

 Damage caused by insufficient cleaning or by operation with a worn, damaged filter in the plinth.

There is insufficient flow of air and heat exchange in the heat exchanger, as it is clogged. This requires a visit from Miele Professional Service.

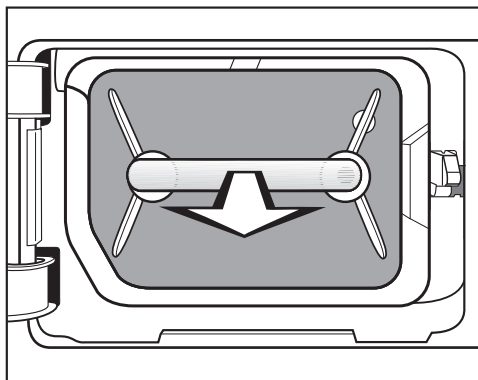
This can be avoided by following the advice in these operating instructions.

## Removing the plinth filter



- Press the round, indented area on the heat exchanger access panel to open it.

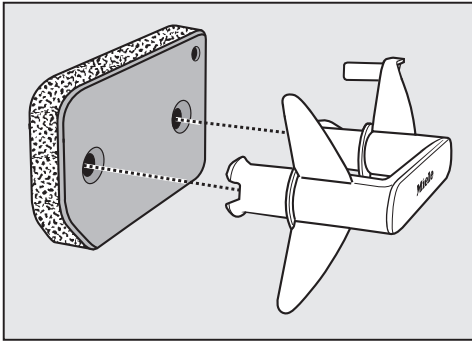
The panel will spring open.



- Pull the plinth filter out by the handle.

This causes the right-hand guide pin in the tumble dryer to come out. This guide pin ensures that the heat exchanger access panel can only be closed if the plinth filter is inserted the right way round.

## Cleaning the plinth filter



- Clean the filter thoroughly under running water.
- Squeeze the plinth filter carefully several times as you rinse it.
- Rinse the plinth filter until all visible residues have been removed.

A fault may occur.

The plinth filter must not be replaced dripping wet.

**⚠** Damage caused by an insufficiently cleaned or damaged fluff filter.

If the filter has not been properly cleaned or is damaged, the heat exchanger will be clogged. There will be an insufficient flow of air and heat exchange in the heat exchanger. This requires a visit from a Miele service technician.

Before and after cleaning, check the plinth filter in accordance with the description in "Replacing the plinth filter". The plinth filter must be perfectly functional and undamaged after cleaning.

- Use a damp cloth to remove any fluff from the handle.

## Replacing the plinth filter

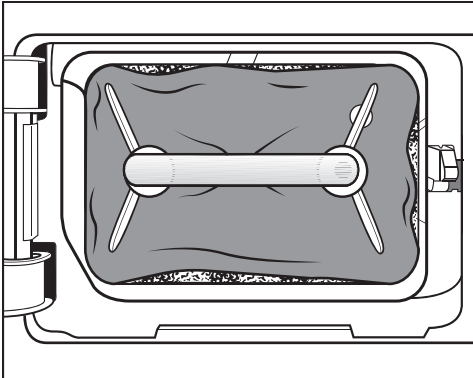
**⚠** Filter wear caused by continuous tumble dryer use.

If the tumble dryer is in continuous use and is being cleaned frequently, the plinth filter can begin to show signs of wear after a while. This can clog up the heat exchanger.

Replace the filter immediately (replacement filters are available as an optional accessory) if you see the following signs of wear before or after cleaning.

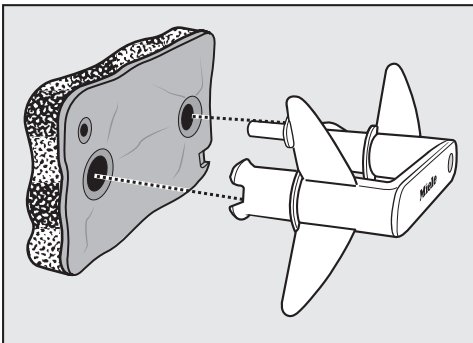
# Cleaning and care

## Poor fit



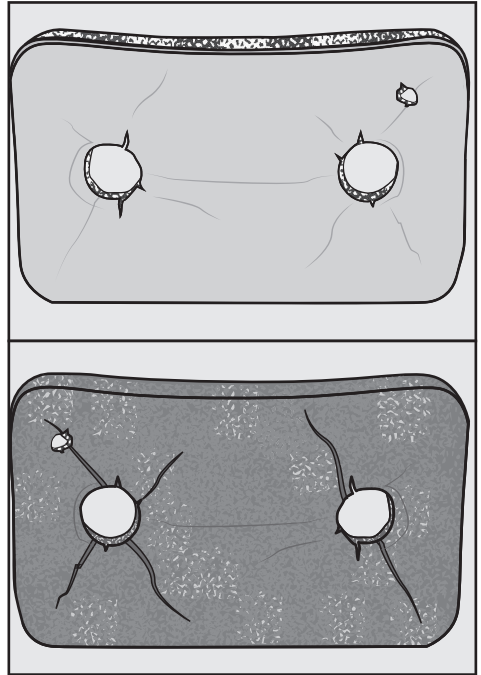
The edges of the filter do not sit properly and the filter is deformed. Fluff will blow into the heat exchanger unfiltered through edges that do not sit properly. This will eventually cause obstruction in the heat exchanger.

## Deformations



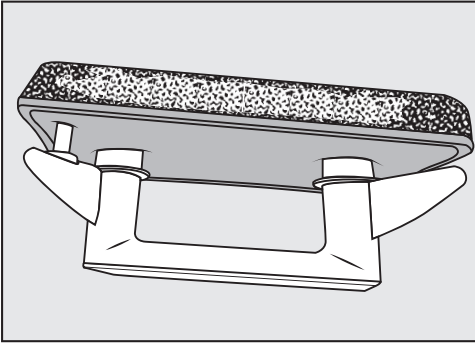
Deformations indicate that the filter has become blocked and worn by continuous use.

## Cracks, tears, indentations



Fluff will blow into the heat exchanger unfiltered through cracks and tears and will cause obstruction.

### White residues or residues of other colours

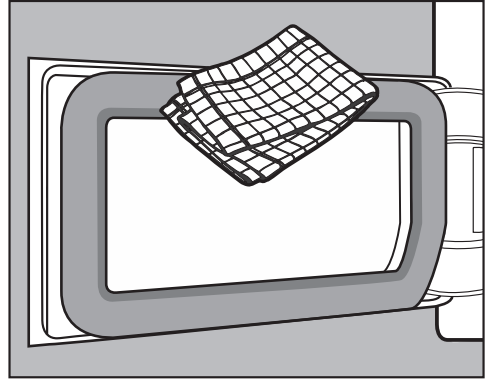


Residues arise from laundry fibres and residues of detergent components which can clog the filter. They can be found on the front and side edges of the filter. In extreme cases, they can form stubborn crusts.

Residues are a sign that the filter no longer has a snug fit at the sides, even if it appears to be perfect – fluff is getting in unfiltered at the edges.

If these residues appear on the filter again soon after cleaning, it must be replaced.

### Cleaning the plinth filter panel




- Use a damp cloth to remove any fluff. Take care not to damage the rubber seal.
- Check whether the cooling fins are blocked with fluff (as follows).

# Cleaning and care

---

## Checking the heat exchanger


 Risk of injury from sharp cooling fins.

You could cut yourself.

Do not touch the cooling fins.

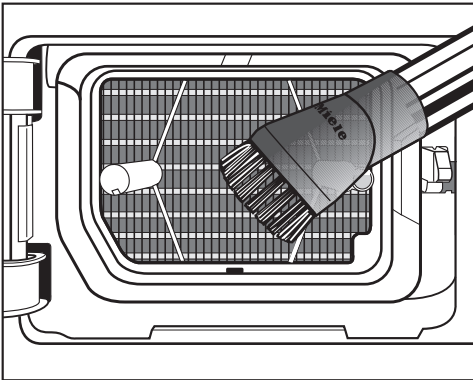
- Look to see if fluff has accumulated.

If you notice any visible soiling:

 Damage due to incorrect cleaning of the heat exchanger.

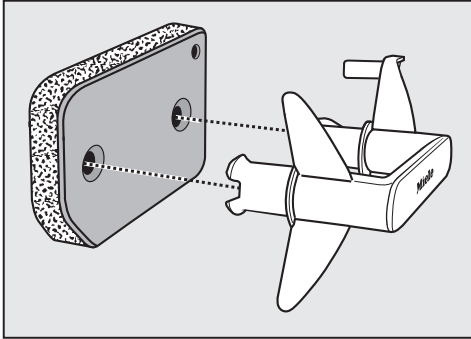
The tumble dryer will not dry if the cooling fins are damaged or bent.

Clean using a vacuum cleaner with a dusting brush attached. Only pass the vacuum cleaner dusting brush over the fins lightly, without applying any pressure.



- Carefully vacuum up any visible fluff or dirt.

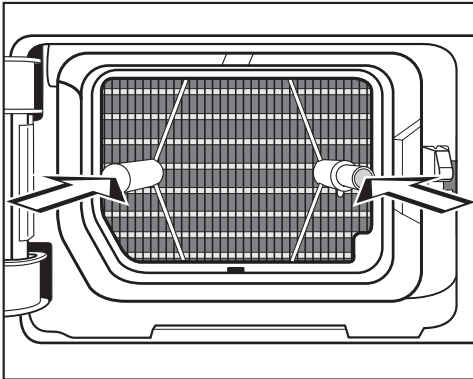
## Inserting the plinth filter



**!** Damage or ineffective drying when drying without a plinth filter or with the heat exchanger panel open. An excessive accumulation of fluff can damage the dryer in the long term. If the system is not leak-proof, this can lead to ineffective drying. You may only operate the dryer with the plinth filter fitted correctly and the heat exchanger access panel closed.

- Fit the plinth filter back on the handle the right way round.

To ensure that the filter is positioned correctly in the front of the heat exchanger unit:



- Insert the handle with the plinth filter facing the right way onto the two guide pins.
  - The word Miele on the handle must be the correct way up.

- Push the plinth filter in completely.

Insert the right guide pin at the same time.

- Close the heat exchanger access panel.

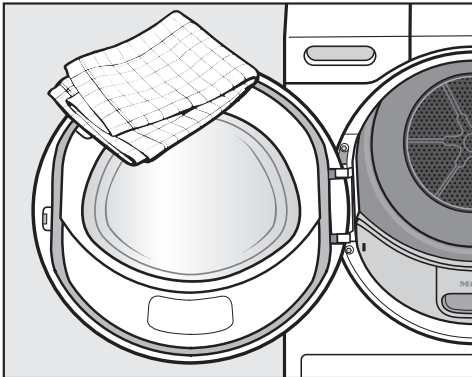
# Cleaning and care

## Cleaning the dryer

Disconnect the dryer from the electricity supply.

**⚠** Damage due to the use of unsuitable care products. Unsuitable care products can damage plastic surfaces and other parts. Do not use solvents, abrasive cleaners, glass cleaners or all-purpose cleaners.

**⚠** Risk of electric shock due to water. If water runs over or into the tumble dryer, there is a risk of electric shock. Never spray the tumble dryer with water. Only ever clean the appliance with a slightly damp, soft cloth.



- Clean the dryer and the seal on the inside of the door only with a slightly damp, soft cloth and mild detergent or soapy water.
- Dry all parts with a soft cloth.

- The drum and other stainless steel parts can be cleaned with a suitable stainless steel cleaner following the manufacturer's instructions.






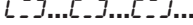


# Problem solving guide

With the help of the following guide, minor faults in the performance of the appliance, some of which may result from incorrect operation, can be remedied without contacting Miele. This will save you time and money because you won't need a service call.

Please note that a call-out charge will be applied to unnecessary service visits where the problem could have been rectified as described in these operating instructions.

## Indicator lights or information in the time display

Problem	Possible cause and remedy
<p>The  indicator light lights up at the end of the programme.</p>	<p>The fluff filters are clogged with fluff.</p> <ul style="list-style-type: none"> <li>■ Clean the fluff filters.</li> <li>■ Clean the plinth filter.</li> <li>■ See "Cleaning and care".</li> </ul> <p>To switch the  indicator light off:</p> <ul style="list-style-type: none"> <li>■ Open and close the door (with the dryer switched on).</li> </ul> <p>You can influence when the  indicator lights up: see "Programmable functions - Airways indicator P20".</p>
<p> lights up after a programme has been cancelled and a signal tone sounds.</p>	<p>The drain hose is kinked.</p> <ul style="list-style-type: none"> <li>■ Check the drain hose.</li> </ul> <p>To switch the  indicator light off:</p> <ul style="list-style-type: none"> <li>■ Open and close the door (with the dryer switched on).</li> </ul>
<p>-0- lights up.</p>	<p>The programme selector has been moved.</p> <ul style="list-style-type: none"> <li>■ Select the original programme again. The time remaining will appear in the display.</li> </ul>
<p>Bars flash in the display at the end of a programme:  </p>	<p>The programme has finished but the laundry has not yet cooled down.</p> <ul style="list-style-type: none"> <li>■ Either remove the laundry and spread it out to cool down or leave it in the tumble dryer to cool down during the cooling phase.</li> </ul>

## Problem solving guide

Problem	Possible cause and remedy
<p>--- <b>flashes/lights up after the tumble dryer is switched on and a programme cannot be selected.</b></p>	<p>Access via a code has been activated.</p> <ul style="list-style-type: none"> <li>■ See "Programmable functions - <i>P07</i> PIN Code".</li> </ul>
<p><b><i>F</i> and <i>055</i> light up after a programme has been cancelled, a signal tone sounds.</b></p>	<p>The fluff filters and the plinth filter are clogged with fluff.</p> <ul style="list-style-type: none"> <li>■ Clean the fluff filters.</li> <li>■ Clean the plinth filter.</li> <li>■ Clean the airways. This is the area underneath the plinth filter and the heat exchanger.</li> <li>■ See "Cleaning and care".</li> </ul> <p>To switch the <i>F 055</i> fault message off:</p> <ul style="list-style-type: none"> <li>■ Switch the dryer off and back on.</li> </ul>
<p><b><i>F</i> and another number combination flash after a programme has been cancelled, a signal tone sounds.</b></p>	<p>There is no obvious cause.</p> <ul style="list-style-type: none"> <li>■ Switch the dryer off and back on.</li> <li>■ Start a programme.</li> </ul> <p>If the programme terminates again with the same error message, then there is a fault. Contact Miele.</p>
<p><b><i>0:00</i> lights up and the programme has been cancelled, a signal tone sounds.</b></p>	<p>The laundry is unevenly distributed or has rolled up.</p> <ul style="list-style-type: none"> <li>■ Disentangle the laundry and remove a few items, if necessary.</li> <li>■ Switch the dryer off and back on.</li> <li>■ Start a programme.</li> </ul>

## Unsatisfactory drying result

Problem	Possible cause and remedy
<b>The laundry is not sufficiently dry.</b>	The load consisted of different types of fabric. <ul style="list-style-type: none"><li>■ Finish drying using the <i>Warm air</i> programme.</li><li>■ Select a more suitable programme next time.</li></ul> Useful tip: You can alter the drying levels for some programmes. See "Programmable functions", sections " <i>P01</i> Cottons drying levels", " <i>P02</i> Minimum iron drying levels".
<b>Laundry or feather filled pillows smell after drying.</b>	The laundry was washed with insufficient detergent. Feathers are a natural product and may develop odours when exposed to heat. <ul style="list-style-type: none"><li>■ Laundry: Wash with sufficient detergent next time.</li><li>■ Pillows: Take out of the tumble dryer and aerate.</li></ul>
<b>Items made of synthetic fibres are charged with static electricity after drying.</b>	Synthetic fibres tend to attract static charge. <ul style="list-style-type: none"><li>■ Static charge can be reduced by adding fabric softener to the final rinse in the washing programme.</li></ul>
<b>Fluff is caused by tumble drying.</b>	Fluff is principally the result of friction when garments are being worn and to some extent when they are being washed. Tumble drying hardly causes any fluff to form. Fluff is collected by the fluff filters and fine filters and can easily be removed. <ul style="list-style-type: none"><li>■ See "Cleaning and care".</li></ul>

## Problem solving guide

---

### The drying process takes a long time.

Problem	Possible cause and remedy
<b>The drying process goes on for too long or even switches off.*</b>	The room in which the tumble dryer is located is too warm. ■ Ventilate the room thoroughly.
	Detergent residues, hair and fine fluff can clog the filters. ■ Clean the fluff filters and the plinth filter (see "Cleaning and care - Cleaning the fluff filters" and "Cleaning the plinth filter"). ■ Remove any visible fluff from the heat exchanger (see "Cleaning and care - Cleaning the plinth filter").
	The laundry is unevenly distributed or has rolled up. The tumble dryer has been overloaded. ■ Untangle the laundry and remove a few items, if necessary. ■ Start a programme.
	The cool air intake (bottom right grille) is blocked. ■ Move any objects, such as a laundry basket, away from the dryer.
	The fluff filters and the plinth filter were wet when replaced. ■ The fluff filters and the plinth filter must be dry.
	The laundry is too damp. ■ Spin the laundry using a higher spin speed in the washing machine.
	Metallic components, e.g. zippers, have prevented the dryer from registering the correct moisture level. ■ Open the zippers next time. ■ If the problem reoccurs, dry these items using the <i>Warm air</i> timed drying programme.

\* Switch the tumble dryer off and on again after a short waiting period before starting a new programme.

## Other problems

Problem	Possible cause and remedy
<b>You can hear buzzing or humming operating noises.</b>	<p>This is not a fault.            These noises are normal and caused by the operation of the compressor (heat pump).</p>
<b>A programme cannot be started.</b>	<p>There is no obvious cause.</p> <ul style="list-style-type: none"> <li>■ Connect the tumble dryer to the mains power.</li> <li>■ Switch the tumble dryer on.</li> <li>■ Close the tumble dryer door.</li> <li>■ Check if the mains circuit breaker has tripped.</li> </ul>
<b>Only the <i>Start/Stop</i> sensor is flashing.</b>	<p>10 minutes after the end of the programme, the <i>Start/Stop</i> sensor will begin to flash and the display will go out to save energy. This is not a fault, but a normal function.            The drum will turn at intervals in the Anti-crease phase.</p> <ul style="list-style-type: none"> <li>■ Touch a sensor to switch on the indicators.</li> </ul> <p>See "Programmable functions", section "// Control panel switch-off status".</p>
<b>The dryer is switched off at the end of the programme.</b>	<p>The dryer switches off automatically to save energy. This is not a fault, but a normal function.</p> <ul style="list-style-type: none"> <li>■ To switch the dryer on, select a programme.</li> </ul>
<b>The interior drum lighting does not come on.</b>	<p>The drum lighting switches off automatically when the door is closed.            To save energy, the drum lighting will switch off after a few minutes if the door is left open for an extended period.            The drum lighting will come on when the door is opened if the tumble dryer is switched on.</p>

# Service

---

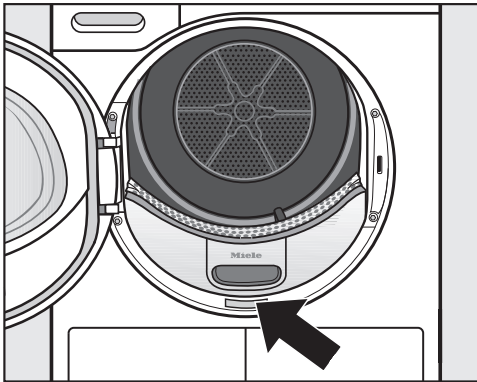
## Contact in case of fault

In the event of any faults which you cannot remedy yourself, please contact Miele Professional Service.

You can book a Miele customer service call-out online at [www.miele.com.au/professional](http://www.miele.com.au/professional). Contact information for Miele can be found at the end of this booklet.

Please quote the model and serial number of your appliance when contacting Miele. This information can be found on the data plate.

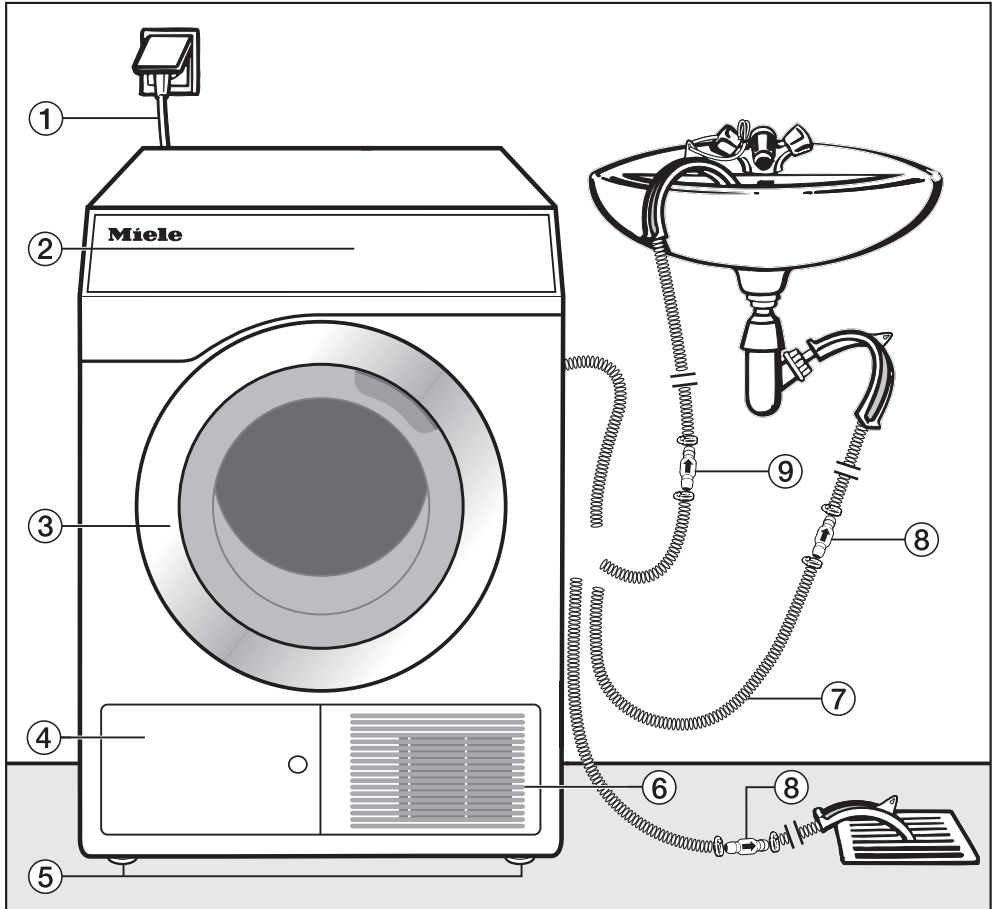
You can see the data plate when you open the door of your tumble dryer:



## Optional accessories

Optional accessories for this tumble dryer are available from Miele (see contact details at the back of these instructions).

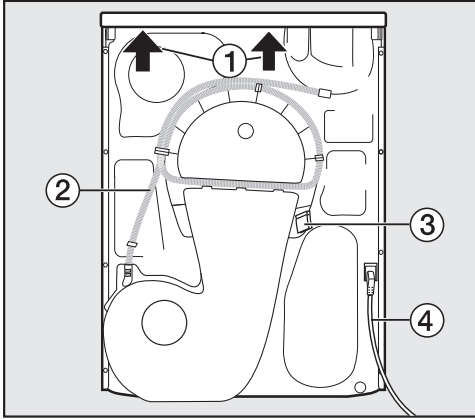
## Front view



- ① Mains connection cable
- ② Control panel
- ③ Door
- ④ Fluff filter flap for the filter in the plinth
  - do not open during drying
- ⑤ 4 height-adjustable screw feet
- ⑥ Intake for air cooling
  - do not obstruct with a laundry basket or other objects
- ⑦ Drain hose for condensed water
- ⑧ Non-return valve, required
- ⑨ Non-return valve, recommended

# Installation

## Rear view

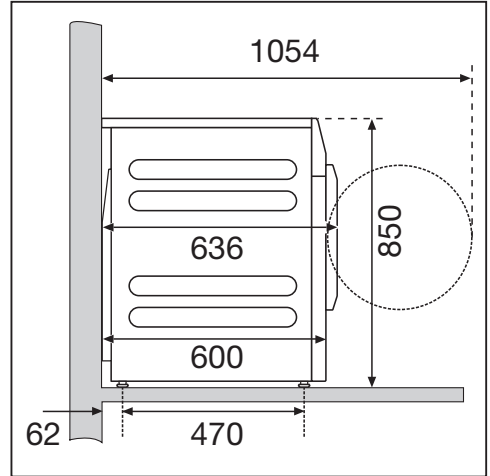


- ① Protruding lid for holding when moving the tumble dryer (see arrows)
- ② Drain hose for condensed water
- ③ Hook for winding up the mains cable during transport
- ④ Mains connection cable

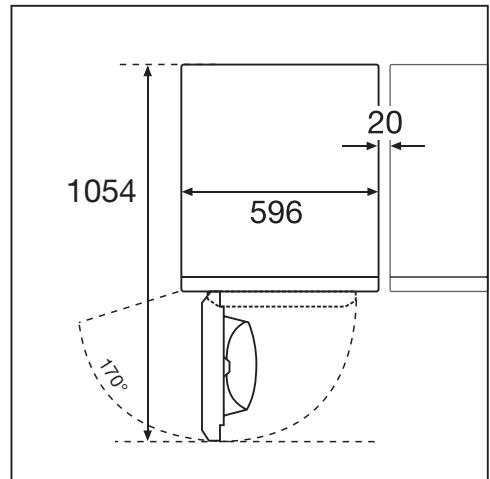
## Installation locations

All measurements in mm

### Side view

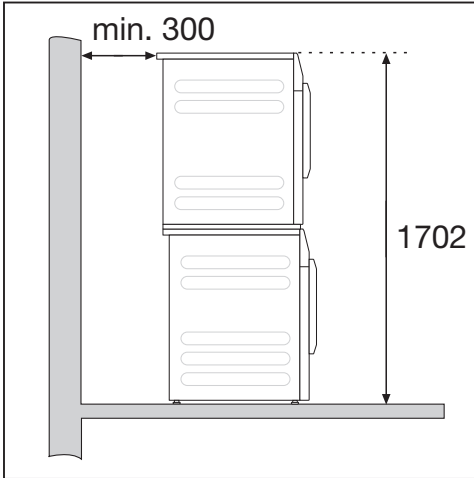


### View from above






## Washer-dryer stack



A stacking kit\* is required. This must be fitted by a Miele authorised service technician.

\* optional Miele accessories

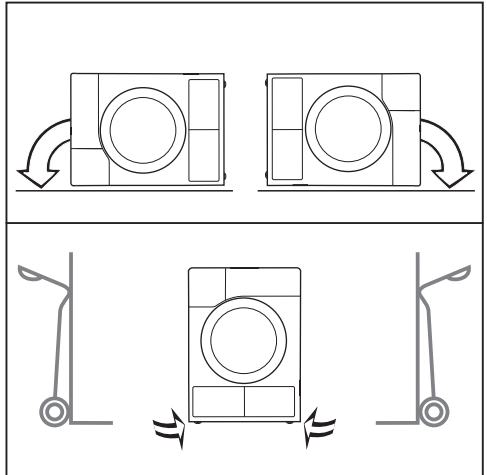
## Transporting the dryer to its installation site

 Risk of damage from incorrect transport.

If the tumble dryer tips over, there is a danger of injury to people and damage to property.

Ensure that the tumble dryer is stable during transportation.


## Transporting the tumble dryer



- If the tumble dryer is being transported horizontally, it must only be tipped onto its left or right side.
- If the tumble dryer is being transported upright and you are using a handcart or trolley, you must only transport it with its left or right side resting on the handcart or trolley.

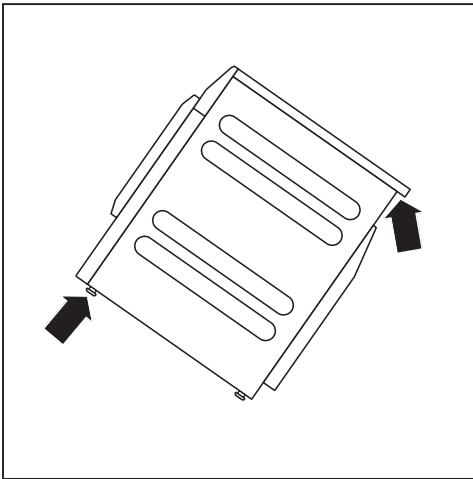
# Installation

## Transporting the tumble dryer to its installation site

 Danger of injury due to unsecured lid.

The rear attachment of the lid may become brittle due to external circumstances. There is a danger of the lid being pulled off when carrying the appliance.

Before carrying the appliance, check that the lid is secure where it protrudes at the back.




- Carry the tumble dryer by the front feet and by the lid where it protrudes at the back of the appliance.

## Installation

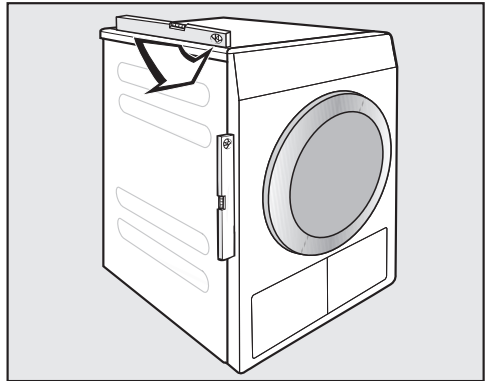
Ensure that no lockable door, sliding door or a door hinged in the opposite direction is installed in the pivoting range of the dryer door.

## Downtime after installation

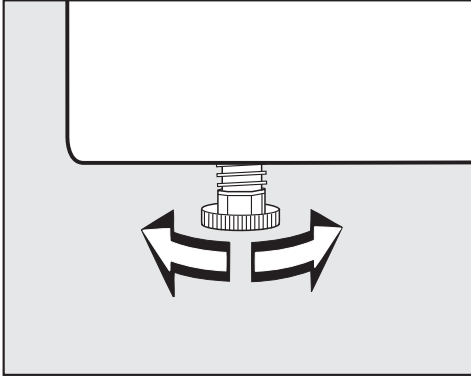
 Damage caused by switching the appliance on too soon.

This can damage the heat pump. After setting up the tumble dryer, wait for at least one hour before switching it on.

## Levelling the dryer



The appliance must stand perfectly level on all four feet to ensure safe and proper operation.



The screw feet can be adjusted to compensate for unevenness in the floor.

This tumble dryer is not suitable for building under.

Never block the ventilation slots on the tumble dryer. Do not block the gap between the bottom of the tumble dryer and the floor with plinth boards, deep pile carpet etc. which could obstruct the openings. This would hinder a sufficient flow of air to the tumble dryer.

## Room ventilation

- Air drawn in for use in the drying process will be warm when it is expelled back into the room by the tumble dryer. You must therefore ensure that the room is sufficiently ventilated, particularly if the appliance is located in a small room.
- Make sure that the room temperature is not too high. If there are other heat producing appliances in the room in which the dryer is located, make sure the room is well ventilated and switch the other appliances off, if possible.

Otherwise running times and energy consumption could be increased.

# Installation

## Drain hose for condensed water

The condensed water is pumped away through the drain hose which is located at the back of the dryer.

### Arranging the drain hose

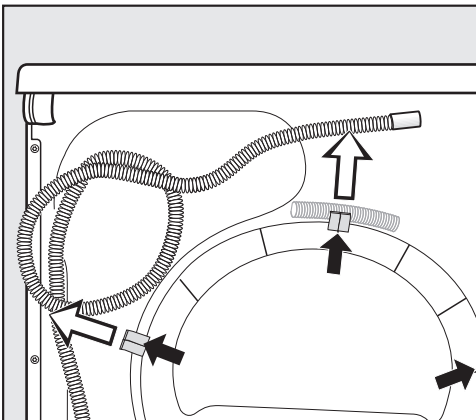
**⚠** Risk of damage to the drain hose due to improper use.

The drain hose can be damaged and may leak.

Do not pull on the drain hose and do not stretch it or allow it to become kinked.

**Useful tip:** Use the bow-shaped guide to prevent the drain hose from becoming kinked.

Drain hose length: 1400 mm  
Delivery head: 1000 mm



- Pull the drain hose out of the clips.

## Drain hose connection options

**Useful tip:** Follow the warnings regarding leakage or backflow of water when selecting one of the following connection options.

- Directed into a laundry tub or trough
- Connected securely to a floor drain (gully)
- Connected directly to a laundry tub or trough drain outlet
- Connection to a drainage system already in use by another appliance, e.g. a dishwasher or washing machine

**⚠** Risk of water damage.  
Should the end of the hose come loose, overflowing water can cause damage.

Secure the drain hose carefully (e.g. by tying it) to make sure it cannot slip.

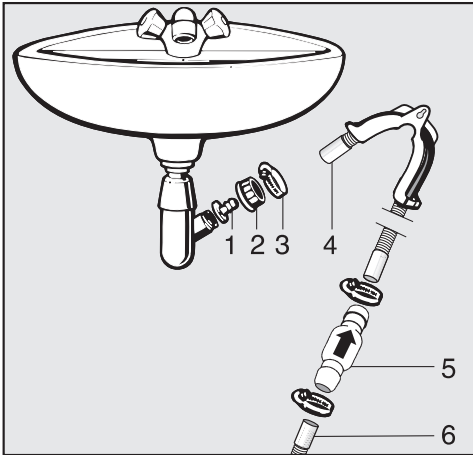
**⚠** Danger of condensed water backflow.

Water could flow back into the tumble dryer or be drawn into it. The tumble dryer will sustain damage and water will leak out.

The non-return valve should be used if the end of the hose is immersed in water or mounted onto other water-bearing connections.

A non-return valve kit is available as an optional accessory for external condensed water connections.

## Example: Connected directly to a laundry tub or trough drain outlet



1. Adapter
2. Washbasin nut
3. Hose clip
4. Hose extension
5. Non-return valve and hose clips
6. Tumble dryer drain hose

- Fit the adapter **1** to the drain outlet using the nut **2**.  
If this nut has a spacer you should take the spacer out first.
- Attach the end of the hose **4** to the adapter **1**.
- Use a screwdriver to tighten the hose clip **3** up close to the nut.
- Fit the non-return valve **5** to the tumble dryer drain hose **6**.

The non-return valve **5** has to be fitted so that the arrow points in the direction of flow (i.e. towards the laundry tub).

- Secure the non-return valve using the hose clips.


# Installation

## Electrical connection

This description applies to tumble dryers both with and without a mains plug.

The following applies to tumble dryers with a mains plug:

- This tumble dryer is supplied with a mains cable with moulded plug.
- The electrical socket must be easily accessible so that the tumble dryer can be disconnected from the electricity supply.

 **Damage caused by incorrect supply voltage.**

The data plate indicates the nominal power consumption and the appropriate fuse rating.

Compare the specifications on the data plate with those of the mains electricity supply.

The dryer must only be connected to a permanent electrical system that conforms to the national and local codes and regulations.

Do not connect the machine via an extension lead or power board. They do not guarantee the required safety of the appliance (e.g. danger of overheating and fire).

If the appliance is hard wired, an all-pole disconnection must be provided on site. The means of disconnection must be incorporated in the fixed wiring in accordance with the wiring rules.

When switched off, there must be an all-pole contact gap of at least 3 mm in the isolator switch (including circuit breakers, fuses, and relays according to

AS/NZS 3000). This connection must be carried out by a qualified and competent electrician.

The plug connector or isolator switch should be easily accessible at all times.

 **Risk of electric shock!**

If the dryer is disconnected from the power supply, protective measures must be taken to ensure that the point of disconnection cannot accidentally be switched on again.

Make sure the isolator is lockable or the point of disconnection is monitored at all times.

New connections, modifications to the system, or servicing of the protective conductor, including determining the correct fuse rating, must be carried out by a qualified and competent electrician, as they are familiar with the pertinent regulations and the specific requirements of the electrical utility company.

The dryer must not be connected to devices such as timers which would switch it off automatically.

## Technical data

Height	850 mm
Width	596 mm
Width (for appliances with a stainless steel lid)	605 mm
Depth	636 mm
Depth with door open	1054 mm
Weight	62 kg
Drum volume	120 l
Load capacity	7 kg (weight of dry laundry)
Hose length	1400 mm
Length of connection cable	2000 mm
Supply voltage	See data plate on back of machine
Rated load	See data plate on back of machine
Fuse rating	See data plate on back of machine
Test certifications awarded	See data plate on back of machine
LEDs	Class 1
Designation of refrigerant	R450A
Refrigerant quantity	0.310 kg
Refrigerant global warming potential	605 kg CO <sub>2</sub> e
Appliance global warming potential	188 kg CO <sub>2</sub> e
Max. floor load during operation	925 N
Product safety standard	AS/NZS 60335
A-rated sound emissions $L_{pA}$ in accordance with EN ISO 11204/11203	<70 dB re 20 $\mu$ Pa

# Programmable functions

## Programming

You can use the programmable functions to alter the dryer's electronics to suit your requirements.

Programming is carried out in these steps (1, 2, 3 ... 9) using the sensors.

### Accessing the programming level

Before you begin, ensure the following:

- The programme selector is turned to a programme.
- The door of the dryer is open.

- 1 Touch the *Start/Stop* sensor and hold it down during steps 2-3.
- 2 Close the tumble dryer door.
- 3 Wait until the *Start/Stop* sensor, which will now be flashing quickly, lights up constantly ...
- 4 ... then release the *Start/Stop* sensor.

*P01* will light up in the time display.

## Choosing and selecting programmable functions

The number of the programmable function will appear in the display as *P* and a number:  
e.g. *P01*.

- 5 Touch the > or < sensor to scroll to the next or previous programmable function:

Programmable function	
<i>P01</i>	Cottons drying levels
<i>P02</i>	Minimum iron drying levels
<i>P04</i>	Cooling phase
<i>P05</i>	Buzzer volume
<i>P06</i>	Keypad tone
<i>P07</i>	PIN Code
<i>P08</i>	Conductivity
<i>P11</i>	Control panel switch-off status
<i>P13</i>	Memory
<i>P14</i>	Anti-crease
<i>P19</i>	Buzzer
<i>P20</i>	Airways indicator
<i>P23</i>	Backlight brightness dimmed

- 6 Confirm the selected programmable function by touching the *Start/Stop* sensor.



# Programmable functions

## Editing and saving the programmable function

You can either switch a programmable function on or off or select different options.

The programmable function option will appear in the time display as - and a number:  
e.g. -00.

- 7 Touch the > or < sensor to switch the programmable function on/off or to select an option:

Programmable function	Available options							
	-00	-01	-02	-03	-04	-05	-06	-07
	P01		X	X	X	✓	X	X
P02		X	X	X	✓	X	X	X
P04	✓	X	X	X	X	to		-09
P05		X	✓					
P06	X	✓						
P07	✓	X						
P08		✓	X					
P11	X		✓					
P13	✓	X						
P14	X	X	✓					
P19	✓	X						
P20	X	X	✓	X				
P23		X	✓	X	X	X	X	X


X = can be selected

✓ = factory setting

- 8 Confirm the chosen selection with the Start/Stop sensor.

The number of the programmable function, e.g. P01 will light up again.

## Exiting the programming level

- 9 Turn the programme selector to the  position.

The settings have been changed. You can alter the settings again at any time.

## Programmable functions

---

### P01 Cottons drying levels

The drying levels for the *Cottons* programme can be adjusted in 7 stages.

#### Options

- 01 = even damper
- 02 = damper
- 03 = a little damper
- 04 = **factory setting**
- 05 = a little drier
- 06 = drier
- 07 = even drier

### P02 Minimum iron drying levels

The drying levels for the *Minimum iron* programme can be adjusted in 7 stages.

#### Options

- 01 = even damper
- 02 = damper
- 03 = a little damper
- 04 = **factory setting**
- 05 = a little drier
- 06 = drier
- 07 = even drier

### P04 Cooling phase

The automatic cooling phase which takes place before the end of a programme can be extended.

#### Options

- 00 = **factory setting**
- 01 = Cooling down time 2 minutes longer
- 02 = Cooling down time 4 minutes longer
- 03 = Cooling down time 6 minutes longer
- 04 = Cooling down time 8 minutes longer
- 05 = Cooling down time 10 minutes longer
- 06 = Cooling down time 12 minutes longer
- 07 = Cooling down time 14 minutes longer
- 08 = Cooling down time 16 minutes longer
- 09 = Cooling down time 18 minutes longer

### P05 Buzzer volume

The buzzer volume can be changed.

#### Options

- 01 = quieter
- 02 = **factory setting**

## P05 Keypad tone

The tone that sounds when a sensor is pressed can be changed or switched off.

### Options

-00 = Off

-01 = **factory setting**

## P07 PIN Code

The code prevents your machine being used without your knowledge.

When the code has been activated, you have to enter the code after switching the dryer on. Otherwise the dryer cannot be operated.

### Options

-00 = **Off (factory setting)**

-01 = On

If option -01 has been selected, after switching on you will have to enter the code before you can operate the dryer.

### Using the dryer when the code is activated

After the dryer is switched on, --- will flash in the time display.

The code is 250 and cannot be altered.

- Touch the > sensor until a 2.. flashes in the first position.
- Confirm with the *Start/Stop* sensor.
- Enter the two other numbers in the same way.

The dryer is ready for use after 250 has been entered and confirmed.

## P08 Conductivity

This programmable function should only be altered if the water is so soft that it is likely to cause the electronics which sense residual moisture in the laundry to give false readings.

### Options

-01 = **Off (factory setting)**

-02 = Low

### Important

The water used for washing the laundry is extremely soft with a conductivity reading (electrical conductivity) of less than 150  $\mu\text{S}/\text{cm}$ . To find out the conductivity level of your mains water, contact your local water authority.

Make sure that you only activate -02 for the condition described above. Otherwise, drying results can be unsatisfactory.

# Programmable functions

---

## **P11 Control panel switch-off status**

To save energy, the time display and the sensors will go out once the programme has been running for 10 minutes. The *Start/Stop* sensor flashes slowly.

However, there is no switch-off in the event of a fault.

### Options

-00 = **Off**

The time display and the sensors do not go out.

-02 = **On (factory setting)**

The time display and the sensors will go out once the programme has been running for 10 minutes.

### Switching the display back on

- Touch the *Start/Stop* sensor. This will not affect a running programme.

## **P13 Memory**

You can set the following: The electronics will memorise the drying level and any options selected for the current drying programme. It will also memorise the duration of the *Warm air* programme. When the programme is selected the next time, these memorised settings will appear in the display.

### Options

-00 = **Off (factory setting)**

-01 = On

## **P14 Anti-crease**

After the programme has finished, the drum will continue to rotate at intervals for a max. of 2 hours. This helps prevent creasing if the laundry is not removed immediately after the end of the programme. The duration can be shortened.

### Options

-00 = no Anti-crease

-01 = 1 hour

-02 = **2 hours (factory setting)**

## P19 Buzzer


The buzzer sounds at end of a programme.

### Options

-00 = **Off (factory setting)**

-01 = On


## P20 Airways indicator

Fluff must be removed after every drying programme. The  indicator light will come on when a certain amount of fluff has collected in the filters. You can decide at what level of fluff this reminder should be given.


You will have an idea of how often this should be done after a few drying programmes.

### Options

-00 = Off


The  indicator light does not light up. However, if there is a very severe blockage in the ducting, the programme will be cancelled and the error message *F 055* will appear in the display regardless of this option.

-01 = Heavy

 lights up when there is a heavy build-up of fluff.

-02 = **Normal (factory setting)**

-03 = Light

 lights up when there is only a small build-up of fluff.

## P23 Backlight brightness dimmed

The brightness of the dimmed sensors in the control panel can be set to one of 7 different levels.

The brightness will change as soon as a different setting is chosen.

### Options

-01 = darkest level

-02 = **factory setting**

...

-07 = brightest level



**Miele Australia Pty. Ltd.**

ACN 005 635 398

ABN 96 005 635 398

**Melbourne:**

Level 4, 141 Camberwell Road

Hawthorn East, VIC 3123

Telephone: 1300 731 411

service.prof@miele.com.au

**[www.miele.com.au/professional](http://www.miele.com.au/professional)  
[sales@miele-professional.com.au](mailto:sales@miele-professional.com.au)**

**Miele New Zealand Limited**

IRD 98 463 631

8 College Hill

Freemans Bay

Auckland 1011

New Zealand

Telephone: 0800 4 MIELE

(0800 464 353)

[www.miele.com.au/professional](http://www.miele.com.au/professional)  
[sales@miele-professional.com.au](mailto:sales@miele-professional.com.au)



Miele Global Headquarters: Miele & Cie. KG  
Carl-Miele-Straße 29, 33332 Gütersloh, Germany

PDR 300 HP SmartBiz

en-AU, NZ

M.-Nr. 12 128 700 / 00