

cooking collection

Instructions for use and warranty details

To register your warranty or make a warranty claim, scan this QR code:



Rangehood

Model No: RHUC61
RHUC91

 **kLEENmaid**

Dear Customer,

Thank you and congratulations for choosing Kleenmaid.

Your new appliance has been designed and meticulously tested to ensure that it meets all your culinary requirements, and has been carefully manufactured using top quality materials to give you years of reliable performance.

For best results, carefully read the instructions on how your new appliance is to be installed. Correct installation will avoid delays and unnecessary service call costs.

Once installation is complete, please read this instruction manual carefully and get to know the controls and the features of your new Kleenmaid appliance. These simple instructions will enable you to achieve excellent results from the very first time you use it.

Again, congratulations and thank you for choosing The Best You Can Own.

KLEENMAID

| | | |
|----|-----------------------|----|
| 01 | Contents..... | 2 |
| 02 | Warnings..... | 3 |
| 03 | Safety Warning..... | 4 |
| 04 | Measurement..... | 5 |
| 05 | Installation..... | 7 |
| 06 | Use..... | 10 |
| 07 | Maintenance..... | 11 |
| 08 | Trouble Shooting..... | 14 |
| 09 | Main Parameters..... | 15 |
| 10 | Disposal..... | 15 |

Before using this appliance please study this entire User Manual carefully. Keep this manual in a safe place for future reference. Ensure that other people using the product are familiar with these instructions as well. The latest version of this manual is available on our website. (See back cover for details.)

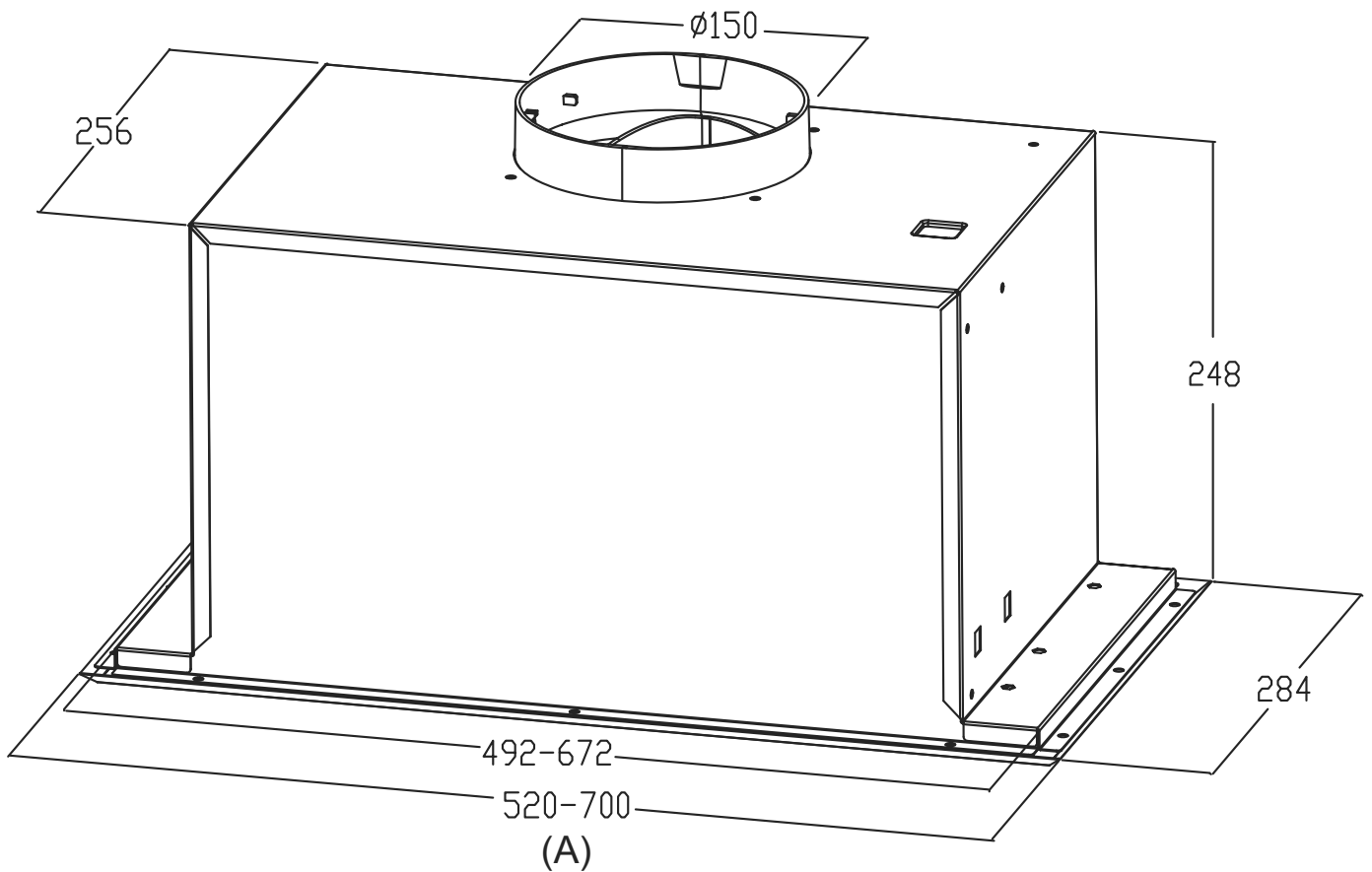
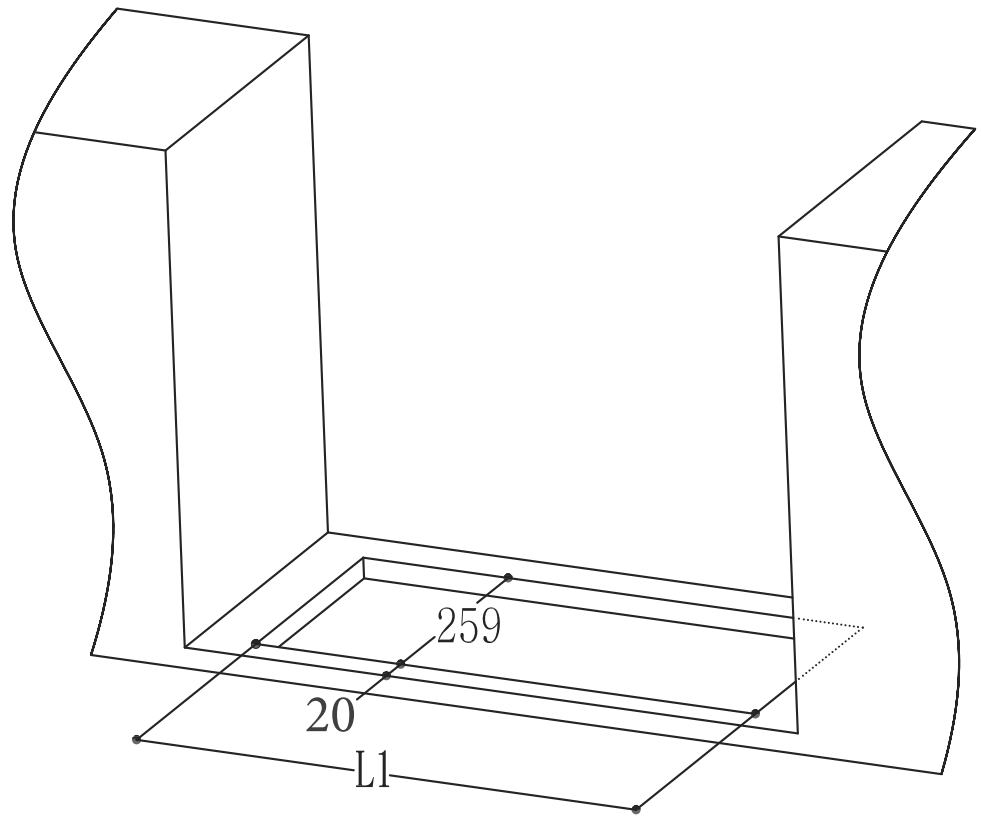
- This appliance is not intended for use by persons (including children) with reduced physical, sensory or mental capabilities, or lack of experience and knowledge, unless they have been given supervision or instruction concerning use of the appliance by a person responsible for their safety. Children shall not play with the appliance. Cleaning and user maintenance shall not be made by children without supervision.
- If the supply cord is damaged, it must be replaced by the manufacturer, its service agent or similarly qualified persons in order to avoid a hazard.
- There should be adequate ventilation of the room when the range hood is used at the same time as appliances burning gas or other fuels.
- The filter is made of high density aluminum. Please do not use corrosive detergent for cleaning.
- Regular maintenance is recommended for the unit to continue to function properly.
- To protect the main body from corrosion due to the accumulation of dirt over time the range hood should be cleaned with hot water and non-corrosive detergent every two months.
- There is a fire risk if cleaning is not carried out in accordance with the instructions.
- Do not flambé under the range hood.
- Exhaust air must not be discharged into an existing flue which is used for exhausting fumes from appliances burning gas or other fuels.
- The minimum distance between the supporting surface for the cooking vessels on the hob and the lowest part of the range hood. This distance shall be at least 65 cm. If the instructions for installation specify a smaller distance, this has to be taken into account. The distance of 65 cm can be reduced for: non-combustible parts of range hoods, except grease filters, and parts operating at safety extra low voltage, provided these parts do not give access to live parts if deformed.
- Regulations concerning the discharge of air must be fulfilled.
- The appliance is designed for use with 4 hob elements at most.
- **CAUTION** : Accessible parts may become hot when used with cooking appliances.

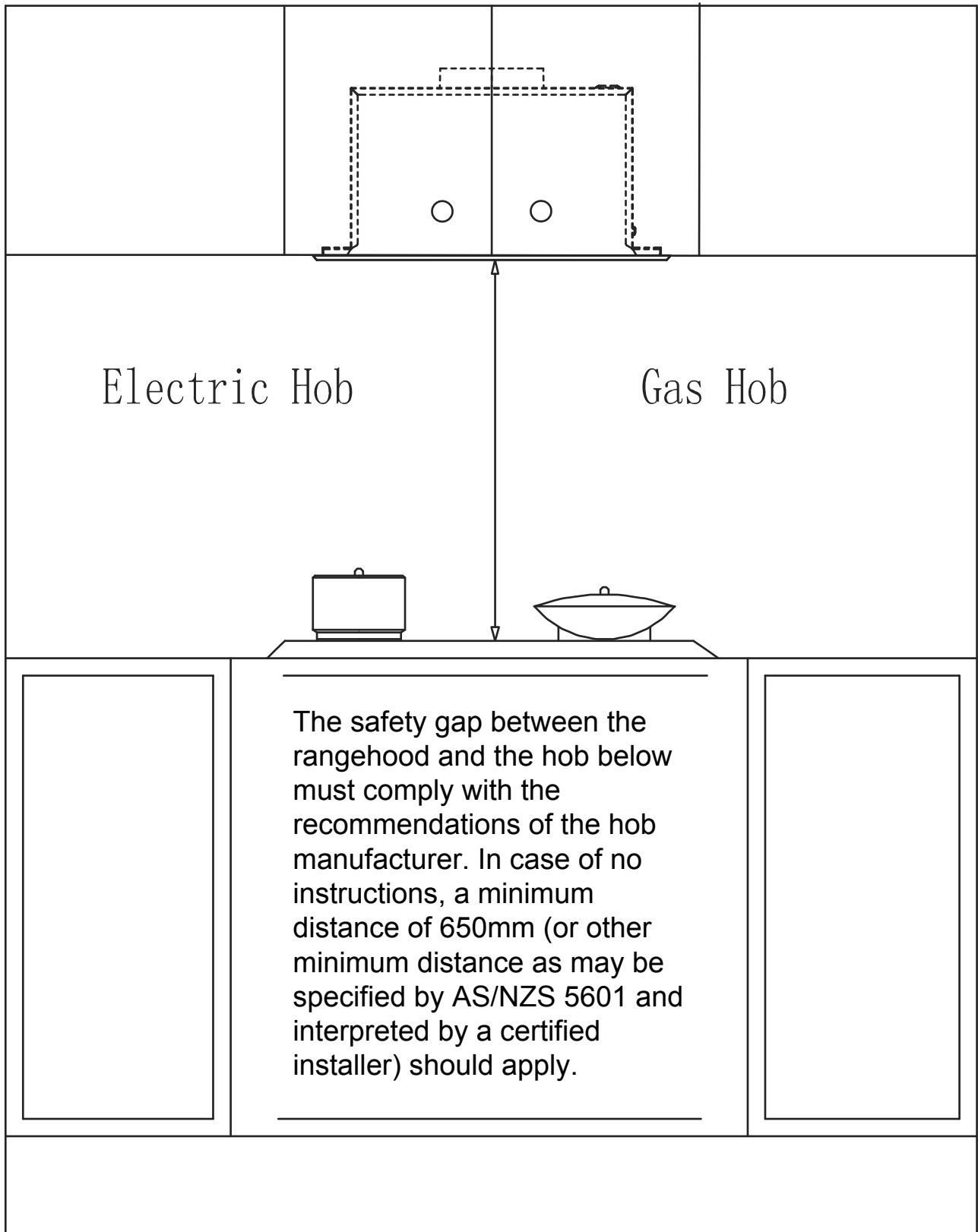
Safety Warning

- This appliance is not intended for use by persons (including children) with reduced physical, sensory or mental capabilities, or lack of experience and knowledge, unless they have been given supervision or instruction concerning use of the appliance by a person responsible for their safety.
- Children should be supervised to ensure they do not play with the appliance.
- The range hood is for home use only, not suitable for barbecue, roast shop and other commercial purposes.
- The range hood and its filter should be cleaned regularly according to the instructions.
- Do not use open flame. Overheated oil can burst into flames.
- If any fault occurs with the appliance, please call the after-sale service department.
- Please keep the kitchen well ventilated.
- Switch off or unplug the appliance from the mains supply before carrying out any cleaning or maintenance.
- If the supply cord is damaged, it must be replaced by the manufacturer, service agent or similarly qualified person in order to avoid a hazard. The replaced power cord should be provided by manufacturer or seller.
- There is a fire risk if cleaning is not carried out in accordance with the instructions.
- In case of damaged connecting wire, please refer to the manufacturer, after-sale service personnel or other qualified technicians.
- Use the unit according to the instructions to avoid any fire hazard.
- The exhaust air must not be introduced into a smoke flue or chimney that is used for exhausting fumes from appliances burning gas.
- Follow the local laws applicable for external air evacuation.
- Plug the power cord to socket outlet with an earthing continuity terminal.
- Range hoods and other cooking fume extractors may adversely affect the safe operation of appliances burning gas or other fuels (including those in other rooms) due to back flow of combustion gases. These gases can potentially result in carbon monoxide poisoning. After installation of a range hood or other cooking fume extractor, the operation of flued gas appliances should be tested by a competent person to ensure that back flow of combustion gases does not occur.

Note: Measurements are in mm.

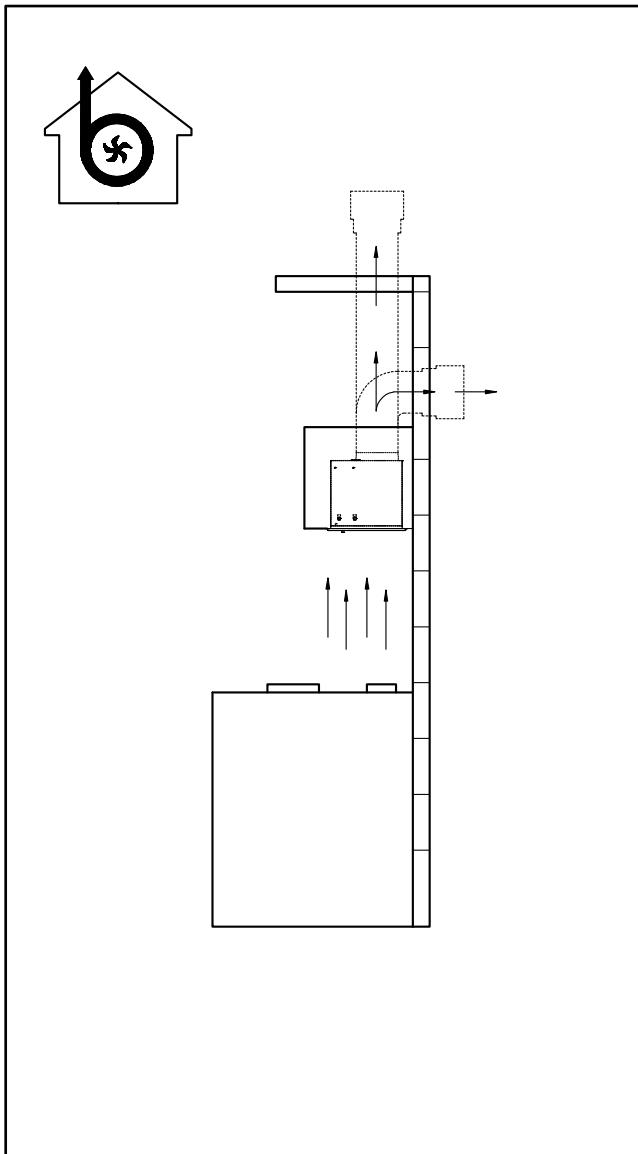
| | | |
|----|-----|-----|
| A | 520 | 700 |
| L1 | 497 | 677 |



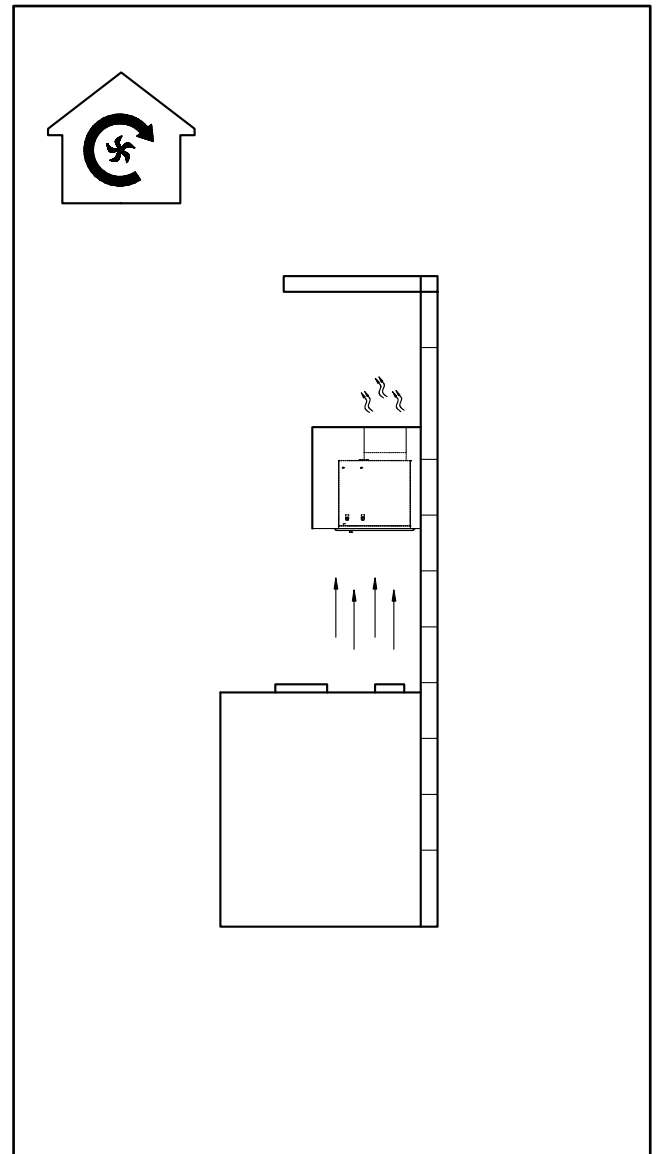


NOTE: Before making preparations for or commencing installation, the installer should refer to the current online version of the User Manual, which is available on the Kleenmaid website (see back cover for details).

Two venting modes are available, ducted mode and recirculation mode. Select desired mode before installation.



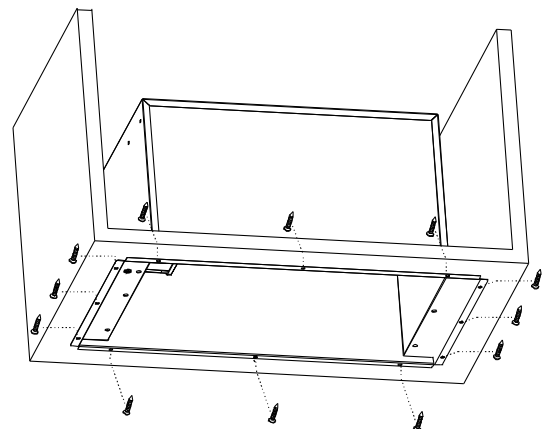
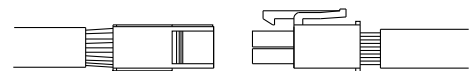
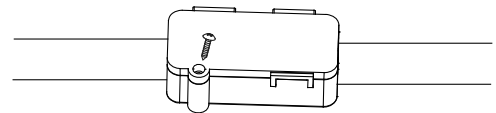
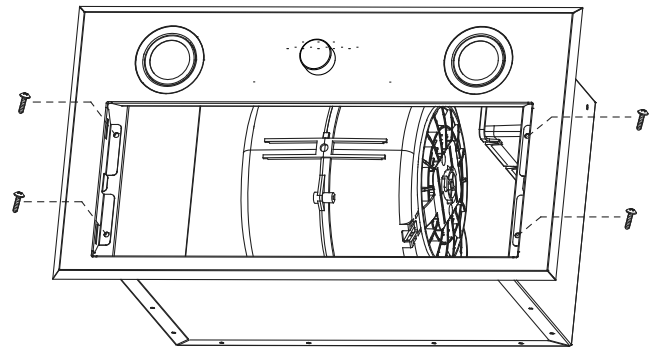
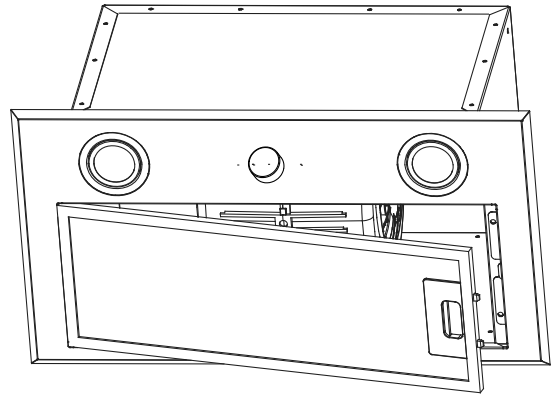
Ducted mode



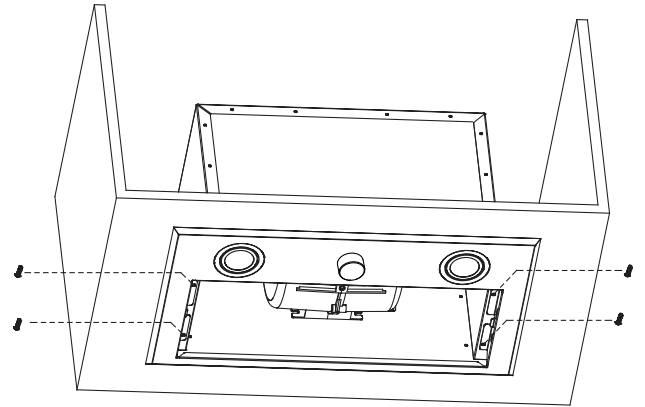
Recirculation mode

Installation

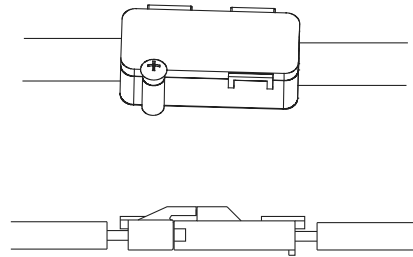
- Press the lock catch of the metal filter, remove the filter.
- Remove the stainless steel frame by unfastening the 4 screws (M4*10).
- Unfasten the screws (ST4*10), remove the lid of terminal box, disconnect the wires to the commands at the connectors.
- Disconnect the wires to the light at the connectors.
- Fasten the rangehood in the cabinet by using the 12 screws (ST4*18).



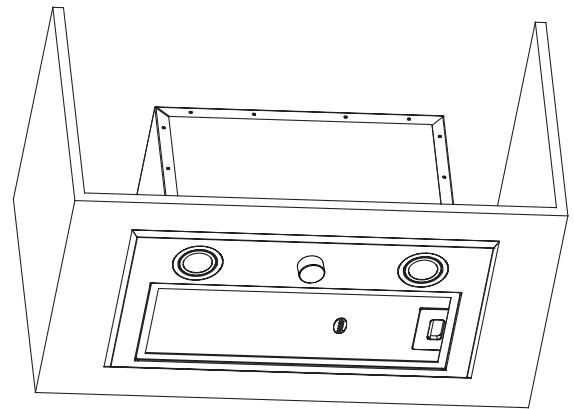
- Screw the stainless steel frame back into place using the 4 screws removed as described above.



- Reconnect the wires to the commands and light.

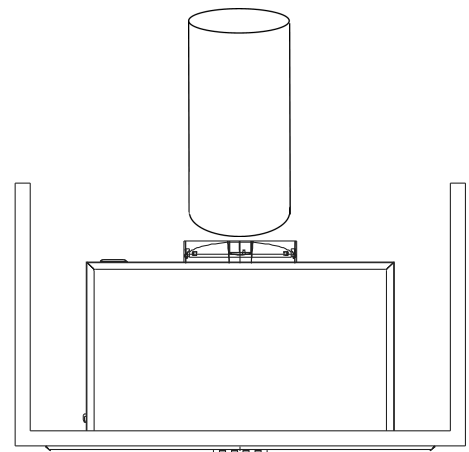


- Replace the metal filter.



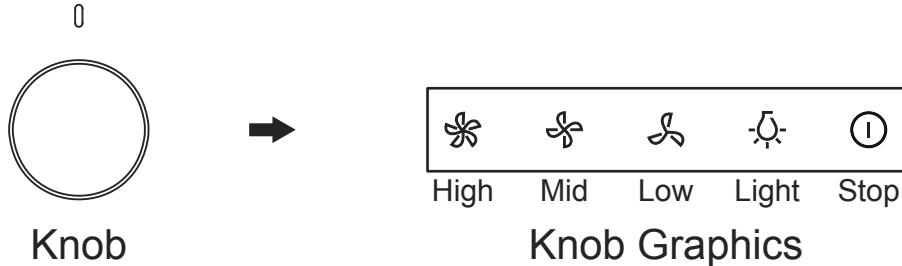
- Install the air outlet ducting (optional).

NOTE: When installing in the ducted mode, connect the rangehood using rigid smooth surface ducting of 150mm diameter (not supplied). The maximum recommended overall ducting path to the outside of the building (for 150mm diameter smooth-walled, rigid pipe only) is 10m, reduced by 2.5m for each 90° bend in the ducting path.



Speed adjustment. See figure below.

- Rotate the knob to the **Stop** graphic, the motor will stop running.
- Rotate the knob to the **Light** graphic, the two lighting lamps will come on.
- Rotate the knob to the **Low** (speed) graphic, the motor runs at low speed, two lights on.
- Rotate the knob to the **Mid** (speed) graphic, the motor runs at mid speed, two lights on.
- Rotate the knob to the **High** (speed) graphic, the motor runs at high speed, two lights on.



Maintenance and replacement of your Kleenmaid Rangehood Filters.

Your Kleenmaid rangehood has one or both of the following types of filters:

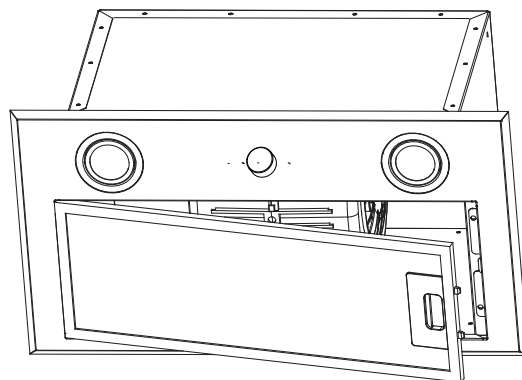
1. The visible aluminium grease filter, which should be present on every rangehood.

These filters should be removed, cleaned and re-installed at least every three months, and more often if food is regularly fried or grilled. These filters may be cleaned either with a soft-bristled brush in warm soapy water, or in a dishwasher (without other items). Ensure that each filter is completely dry before re-installing it into the rangehood. Make sure that the rangehood is turned off before cleaning.

Normally these filters will last the life of the rangehood, however if they are damaged in any way, replacements may be purchased by visiting the Kleenmaid website www.kleenmaid.com.au, emailing support@kleenmaid.com.au or calling 02 9310 1207.

Cleaning of the filter

- Remove the grease filter by operating the latch of the filter.
- Wash in a dishwasher with detergent, setting the temperature to less than 60 degrees. Do not use abrasive detergent as this will damage the rangehood. Ensure filter is dry before re-installing.
- Make sure the filter is mounted in the correct position with the handle facing outwards, and latch securely.



Warning: It must be ensured that the grease filters are correctly installed whenever the rangehood is operating. Failure to do so may damage the rangehood, and such damage will not be covered by the manufacturer's warranty.

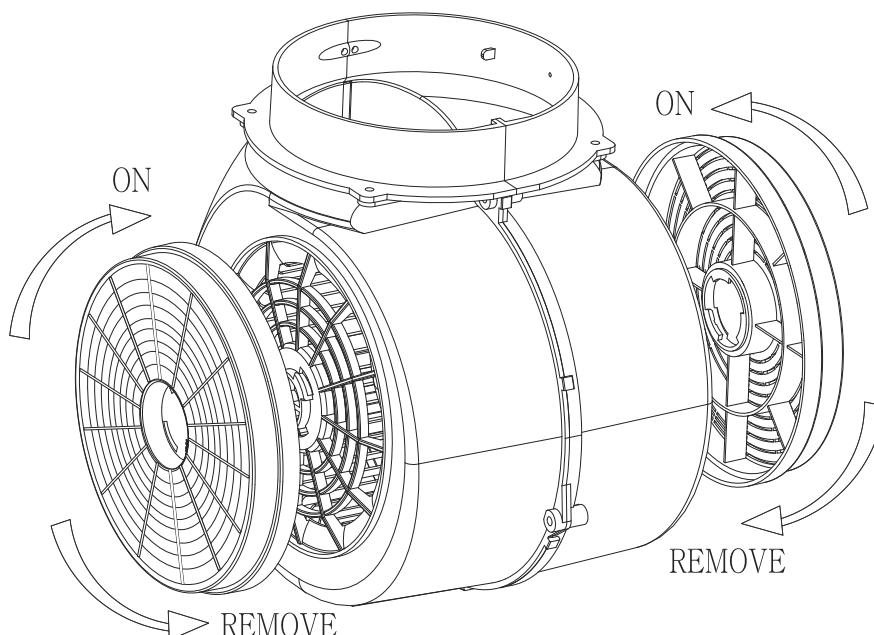
2. The internal Kleenmaid Activated Charcoal (or "Carbon") Filter, which should be present on a rangehood which is installed in recirculating mode i.e. not vented outdoors.

These filters are located inside the rangehood and remove cooking odours from the air. These filters cannot be cleaned and will require replacement. The effective life of the filter depends on the type and amount of cooking you do. Generally the life of these filters is approximately six months. However, always replace the filter when it no longer absorbs odours effectively.

When replacement Kleenmaid Activated Charcoal filters are required they may be purchased by emailing support@kleenmaid.com.au or calling 02 9310 1207.

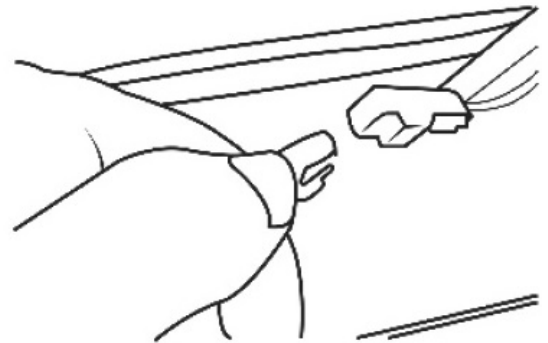
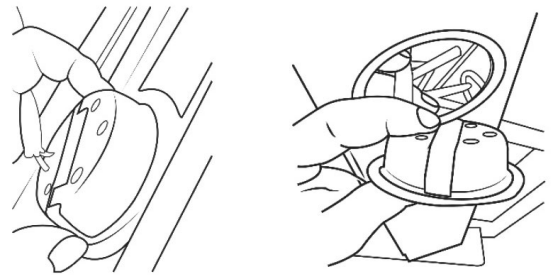
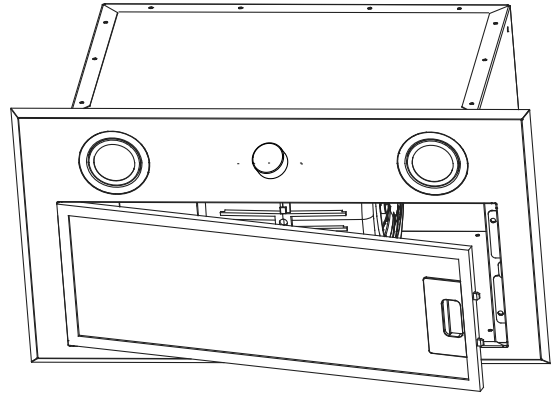
Replacing the charcoal filter

- Remove the grease filter by operating the latch of the filter.
- Remove the saturated Activated Charcoal Filters, as indicated in the diagram below.
- Fit the new Charcoal Filters, as indicated in the diagram below.
- Replace the aluminium grease filter .



Replacing the lamp

- Press the lock catch of metal filter, remove the filter.
- Push the lamp from inside to remove the lamp.
- Disconnect the wires to the lamp.
- Connect the wires of the new lamp.
- Push the new lamp from outside and fix it to the hole.



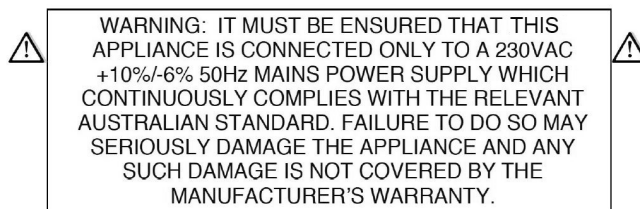
Trouble Shooting

| Fault | Cause | Solution |
|------------------------------------|--|--|
| Light on, but motor does not work. | The blades are blocked. | Check the blades. |
| | The capacitor is damaged. | Replace capacitor. |
| | The motor is damaged. | Replace motor. |
| | The internal wiring of motor is cut off / disconnected. An unpleasant smell may be produced. | Replace motor. |
| Both light and motor do not work. | Apart from the above mentioned, check the following: | |
| | Light damaged. | Replace lights. |
| | Power cord loose. | Connect the wires as per the electric diagram. |
| Oil leakage. | Outlet and the air ventilation entrance are not tightly sealed. | Take down the outlet and seal with glue. |
| | Leakage from the connection of U-shaped section and cover. | Take U-shaped section down and seal with soap or paint. |
| Vibration. | The blade, if damaged, can cause vibrating. | Replace the blade. |
| | The motor is not tightly fastened. | Fasten the motor tightly. |
| | The rangehood is not tightly fixed. | Fixed the rangehood tightly. |
| Insufficient suction. | The distance between the rangehood and the cooktop is too large. | Readjust the distance. |
| | Too much ventilation from open doors or windows. | Choose a new place to install the appliance or close some doors / windows. |
| The machine inclines. | The fixing screws are not tight enough. | Tighten the fixing screw and make it horizontal. |
| | The hanging screws are not tight enough. | Tighten the hanging screw and make it horizontal. |

If the appliance fails to operate correctly during the warranty period please visit our website to request a warranty service (see back cover of this manual for details). When booking a service please provide your Model No.: RHUC61 or RHUC91 and the individual Serial Number of your appliance which is found on the rating plate, visible inside the rangehood when the grease filter is removed. See instructions for removing the grease filter on page 11 of this manual. Ensure power to the appliance is turned off before commencing.

Electrical Diagram

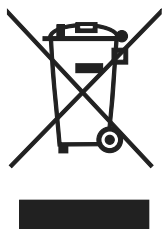
- Electrical diagram see label on main body of the actual product.



Main Parameters

| | |
|------------------------|--|
| Voltage | 220-240V~ 50Hz |
| Rated Power | 113W |
| Lighting Power | 1.5W x 2 |
| Motor Power | 110W |
| Diameter of air outlet | 150mm |
| Air flow | Up to 650 m ³ /h (anemometer measurement method) |
| Noise | 49 dB(A) (Low speed) |

Disposal



Please dispose of this appliance at your local community waste collection / recycling center and ensure it presents no danger to children while being stored for disposal. The plug must be rendered useless and the cable cut off to prevent misuse.

KLEENMAID WARRANTY

TERMS AND CONDITIONS

1. Compass Capital Services Pty Ltd ABN 96 138 214 525 trading as Kleenmaid will provide parts and labour to you the customer as set out herein.
2. Kleenmaid may engage a Service Agent to provide service under this warranty.
3. Kleenmaid's Products come with guarantees that cannot be excluded under the Australian Consumer Law. You are entitled to a replacement or refund for a major failure and for compensation for any other reasonably foreseeable loss or damage. You are also entitled to have the goods repaired or replaced if the goods fail to be of acceptable quality and the failure does not amount to a major failure.
4. The benefits given to you under this Kleenmaid Warranty are in addition to other rights and remedies to which you may be entitled under the Australian Consumer Law in relation to the Product to which this Kleenmaid Warranty relates. Subject to the conditions below, the Product is warranted by Kleenmaid and/or its agents to be free from defects in materials and workmanship for the Warranty Period for normal Domestic Use.
5. Product Identification: -
 - a. Kleenmaid reserves the right to reject claims for any services or work where you cannot produce for verification the serial number and a proof of purchase for the Product (including but not limited to the original invoice).
 - b. this Kleenmaid Warranty will be voided if the serial number for the Product cannot be verified. This is not intended to exclude, restrict or modify any right or remedy to which you may otherwise be entitled under the consumer guarantee provisions of the Australian Consumer Law.
 - c. in the event that a request for repair is made against this Kleenmaid Warranty where the serial number for the Product cannot be verified or you cannot produce for verification a proof of purchase for the Product (including but not limited to the original invoice), the repairer will not carry out any repairs on the Product and you will be charged a service call-out fee.
6. What is covered by this Kleenmaid Warranty: -
 - a. the Product is covered for faulty workmanship or parts that have failed under normal Domestic Use.
 - b. Kleenmaid and/or its agents will determine by objective testing if there are any defects in the Product and/or faulty workmanship.
 - c. this Kleenmaid Warranty is only applicable if repairs on Products are carried out within Mainland Australia.
 - d. this Kleenmaid Warranty: -
 - i. covers a Product purchased as new, manufactured for use in Mainland Australia;
 - ii. commences from the date of delivery of the Product;
 - iii. provides for the labour and replacement parts necessary to maintain the Product in good operating condition as specified in this Kleenmaid Warranty, however, if repair is needed because of Product failure during normal Domestic Use, Kleenmaid has the option to repair or replace the defective Product or part of the Product with a product or part of like kind and quality. A replacement part may be new or reconditioned of like kind and quality and may cost less than the original Product purchased and no charges or refunds will be made based on the replacement product or part cost difference; and
 - iv. is only applicable when the Product is used and operated in accordance with the Manufacturer's instructions.
7. What is not Covered by this Kleenmaid Warranty (excluded):-
 - a. any damage or failure to or of the Product or part of the Product:
 - i. due to the Product being inadequately serviced to manufacturer's recommendations;
 - ii. resulting from environmental conditions including and not limited to dirt, dust, rodents, insects, rust, corrosion, salt built-up, or of in any part of the Product;
 - iii. resulting from excessive use but fair wear and tear is excepted;
 - iv. resulting from installation by an unqualified or uncertified tradesperson;
 - v. resulting from poor or incorrect installation including and not limited to positioning and externally fitted equipment such as plumbing and drainage, cabling, antennae or due to incompatibility of connected equipment;
 - vi. caused by overheating as a result of sitting or positioning of the Product, where there is no provision for adequate ventilation or adequate protection from excessive dust;
 - vii. if the Product has been dismantled, repaired or serviced by any person other than someone authorised by Kleenmaid or its agents or representatives;
 - viii. caused by power surges or spikes, including and not limited to, mains power and telecommunications connections, or to other unspecified sources, incorrect power current, voltage fluctuation, amperage fluctuation, rust or corrosion;
 - ix. if the Product is dropped, collision of the Product with another object, use for which the Product is not designed, damage to the Product caused by your own negligence, accidental or deliberate misuse of the Product by you, theft, abuse, vandalism, flood, fire, earthquake, electrical storms or any other act of God or any war related events; or
 - x. due to the introduction of abnormal heat loads to the Product;
 - b. costs of attendance and testing where no fault or defect covered by the terms of this Kleenmaid Warranty is identified in the Product;
 - c. initial setup and installation of the Product;
 - d. normal maintenance costs and costs incurred through the installation of items listed as requiring periodic replacement;
 - e. Products with removed or altered serial numbers;
 - f. broken or cracked glass other than transport damage to the initial point of delivery;
 - g. consumables such as but not limited to bulbs/globes, seals, filters, batteries and remote controls;
 - h. removal and reinstallation of an internal component not performed by an authorised Kleenmaid agent or representative or authorised service centre;
 - i. cosmetic or structural items; or
 - j. any failures due to interference from or with other products and/or sources.
8. This Kleenmaid Warranty ceases if: -
 - a. the Product ceases to carry the original manufacturer's serial number or is sold at an auction;
 - b. the Product is rented; or
 - c. there is failure to pay monies owing on invoices as a result of non-warranty work being carried out at the request of the end user as per point 16 below.

9. Service under this warranty may be limited by the area in which you live. Service to remote and regional areas may incur additional travel costs which will be payable by you. You will be advised of this at the time you make a claim and Kleenmaid arranges to attend your premises.
10. Neither Kleenmaid nor its representatives provide loan equipment under the terms of this Kleenmaid Warranty.
11. Any unauthorised access to the internal hardware of the Product will void this Kleenmaid Warranty.
12. Repair Notice: Products presented for repair may be replaced by refurbished Products of the same type rather than being repaired. Refurbished parts may be used to repair the Products.
13. Replacement items are "like for like" and is not "new for old" and does not indicate in any way that a faulty Product will be replaced with a new part or unit. "Like for like" may either be a quality checked, refurbished or reconditioned unit of the same or later batch of model/size/specifications
14. The cost of making a claim under this Kleenmaid Warranty is not covered by Kleenmaid, including any costs of transportation or travel expenses between your home and your nearest authorised service agent.
15. Kleenmaid accepts no liability for items that are lost, damaged, or stolen as a result of freight, transport or storage. If you are required to transport the Product to an authorised service centre, you must ensure that it is securely packed and insured.
16. On Public Holidays or other periods when regular business and wholesale operations are temporarily ceased, repairer availability and warranty response times may extend beyond the standard response times due to the unavailability of repairers and parts.
17. For any repair performed on a Product under this Kleenmaid Warranty where no fault can be found, or the item is deemed by Kleenmaid or an authorised agent, to be not faulty under this Kleenmaid Warranty, or the repair or fault is not covered under this Kleenmaid Warranty, a 'No Fault Found' fee is payable by you. Kleenmaid will advise you of this cost and seek your agreement to pay such costs before commencing such repairs.
18. Any repairs or services required that are outside the terms and conditions of this Kleenmaid Warranty can be carried out at your request at your cost (including where the Product has not been installed or set up correctly). Kleenmaid will always advise you of this cost and seek your agreement to pay such costs before commencing such repairs. A credit card may be required prior to the commencement of such services.
19. Extra charges will be payable by the customer should the Product not be readily accessible without special equipment, such as but not limited to cranes and lifts or should the Product be installed in a position that service access is blocked and/or repair work is not possible without uninstalling the Product to gain access.
20. You, the customer, may be entitled to purchase an extended warranty in respect of the Product. Any extended warranty will not be issued by Kleenmaid but by a third party. Any extended warranty services will be provided directly by the third party as principal and not as agent for Kleenmaid, under their extended warranty terms and conditions and not under this Kleenmaid Warranty.
21. To make a claim under this Kleenmaid Warranty, please have your proof of purchase and the serial number of the Product ready and call (02) 9310 1207 during business hours.
22. This Kleenmaid Warranty is given by:
 Name: Compass Capital Services Pty Ltd ABN 96 138 214 525 trading as Kleenmaid
 Business address: Level 2, Suite 3, 204 Botany Rd, Alexandria NSW Australia 2015
 Telephone: (02) 9310 1207
23. Definitions:
 - a. **Australian Consumer Law** means the *Competition and Consumer Act 2010* (Cth).
 - b. **Domestic Use** means use of the Product for personal, domestic or household purposes.
 - c. **Kleenmaid** means Compass Capital Services Pty Ltd ABN 96 138 214 525 trading as Kleenmaid.
 - d. **Mainland Australia** means the following States and Territories of Australia: New South Wales, Victoria, South Australia, Western Australia, Queensland, Tasmania, Northern Territory, Australian Capital Territory.
 - e. **Product** means the appliance sold by Kleenmaid to you as evidenced by the original purchase invoice.
 - f. **Service Agent** means any independent service agent engaged by Kleenmaid to carry out any repair or service under this warranty.
 - g. **Warranty Period** means for domestic use and for Products purchased on or after 1 January 2019 the period of 60 months, otherwise 36 months. For non-domestic use 12 months or such alternative period as may be specified.

UPDATE NOTICE: This Kleenmaid Warranty is current as at 1 December 2022 but is subject to variation from time to time. For the latest version of the Kleenmaid Warranty, please see our website <https://kleenmaid.com.au/warranty/> or phone us on (02) 9310 1207.

This page intentionally left blank.

Other products available in the Kleenmaid range of appliances

- | Washing machines
- | Clothes dryers
- | Dishwashers
- | Ovens
- | Cooktops
- | Steam ovens
- | Microwave ovens
- | Built in espresso coffee machines
- | Rangehoods
- | Freestanding ovens
- | Refrigerators & Freezers
- | Beverage Serving Cabinets
- | Water Dispensers
- | Vacuum Cleaners

To register your warranty or make a warranty claim, scan this QR code:



Compass Capital Services Pty Limited
trading as Kleenmaid
ABN 96138214525

Level 2, 204 Botany Road Alexandria
NSW 2015



Register your Kleenmaid
Appliances Warranty
www.kleenmaidwarranty.com.au



Request a Warranty Service
www.kleenmaidwarranty.com.au

E: warranty@kleenmaid.com.au
Please download the current User Manual for this
appliance at www.kleenmaid.com.au

 **kleenmaid**