

# Freestanding Dishwasher



## IVFSD10X



Design and functionality is not forgotten with our fully integrated dishwasher. Match this built-in dishwasher with your ILVE stainless steel oven or cooktop to create a total appliance match giving a sleek and modern finish to your new kitchen.

### Model IVFSD10X Freestanding Dishwasher

#### Finish

- stainless steel interior
- stainless steel door panel and fitted kick panel

#### Features

- 15 Place settings
- 10 wash programs: Pre-wash, Mini 14' (Jet Wash), Quick 30', ECO, Super 50', Daily 60°, Dual Pro Wash, Auto Delicate, Auto Medium, Auto Intensive
- temperatures: 30-50 50-60 60-70
- hidden heating element
- metal filter
- turbidity sensor (Smart Wash)
- turbo drying system
- overflow and leakage protection & aqua stop
- 3rd basket (Removable Easy Tray)
- adjustable 'peg' style upper basket
- bottle rack
- removable additional cutlery basket for the lower level
- noise level: 44 dBA

#### Control Panel & User Interface Buttons

- Start/Pause button
- LCD Display
- Delay timer options (1-2-3-24 hour)
- Half wash
- Tablet wash
- Extra Hygiene, Extra Dry, Extra silent, Extra fast
- Rinse-aid indicator
- Washing cycle & end of wash indicators
- Child Lock

#### Size

- 598W x 598D x 850Hmm

#### Power

- 10 amp, 3-pin plug with 175mm cord
- Off mode power consumption: 0.50W
- On mode power consumption: 1.00W

#### Technical

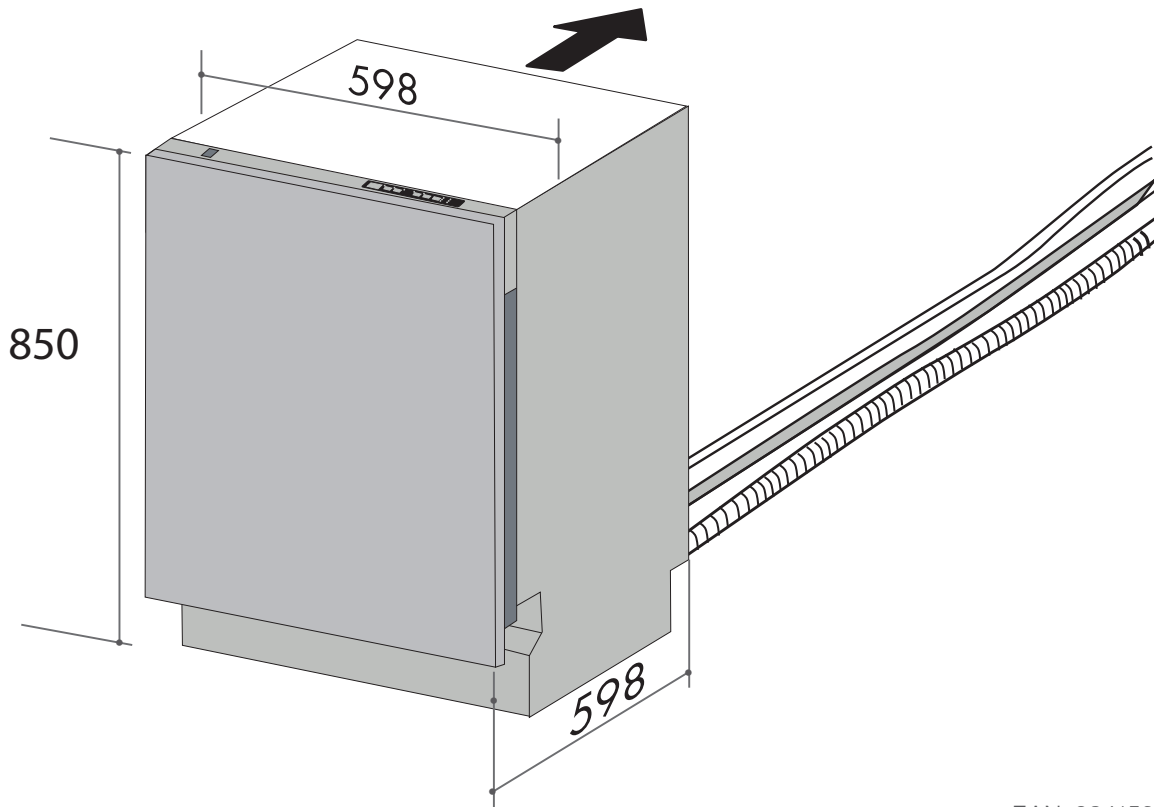
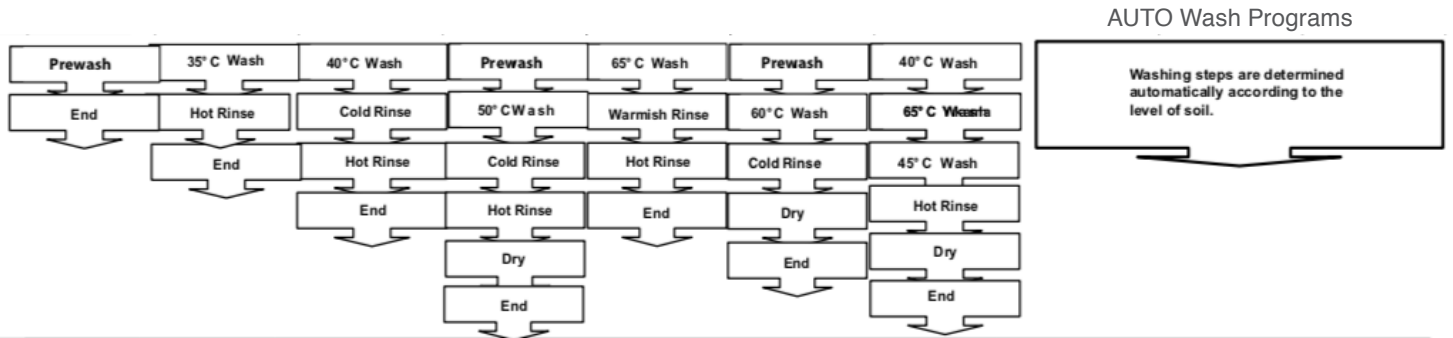
- water inlet hose: 160mm, water outlet hose: 180mm

03042019

EAN: 9341584037442

# Freestanding Dishwasher

## IVFSD10X



03042019

EAN: 9341584037442

### FOLLOW US ON:

facebook.com/ILVEappliances

instagram.com/ILVE\_appliances

youtube.com/ILVEappliances

BLOG livewithilve.com

Australia National Telephone Number 1300 MYILVE (694 583) New Zealand Telephone Number 64 3 344 5913

ILVE showroom hours: Tuesday to Friday - 9am-5pm, Saturday - 10am-4pm, Sunday and Monday - closed

\* Melbourne showroom hours: Tuesday to Saturday - 10am-4pm

ilve.com.au

**NSW & ACT (Head Office)**  
48-50 Moore Street  
Leichhardt  
F 02 8569 4699

**VIC & SA**  
1211 Toorak Road  
Camberwell  
F 03 9809 2155

**QLD**  
1/42 Cavendish Road  
Coorparoo  
F 07 3397 0850

**WA & NT**  
Unit 10/55 Howe Street  
Osborne Park  
F 08 9201 9188

**New Zealand**  
PO Box 11,160  
Sockburn Christchurch  
F 03 344 5906

**DISCLAIMER**  
EuroInx PTY LTD, trading as ILVE Appliances, is continually seeking ways to improve the design specifications, aesthetics and production techniques of its products. As a result alterations to our products and designs take place continually. Whilst every effort is made to produce information and literature that is up to date, this brochure should not be regarded as an infallible guide to the current specifications, nor does it constitute an offer for the sale of any particular product. Product dimensions indicated in our literature is indicative only. Actual product only should be used to define dimension cutouts. Distributors, and retailers are not agents of ILVE Appliances and are not authorized to bind ILVE Appliances by any express or implied undertaking or representation.