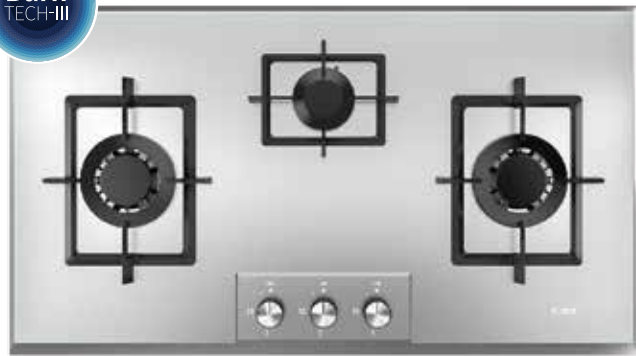


GLS90303

FOTILE HOB

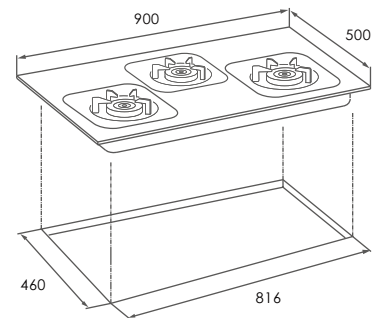
- Upper Inlet Wind Type Structure
- FOTILE's Burn Tech-II
- Super large Drip Pan & Rounded Edge



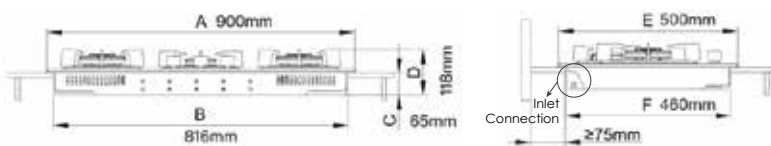
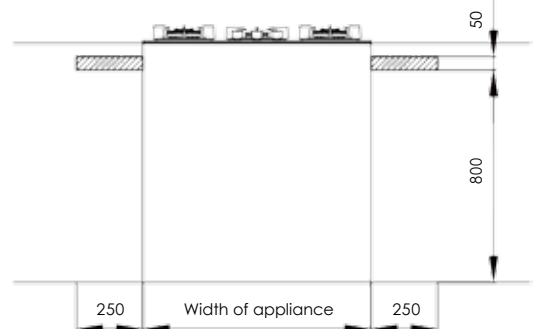
Specification

Product Size(W*D)(mm):	900 x 500
Cut Out Size(W*D)(mm):	816 x 460
Heating Efficiency:	≥48%
Heating Load(Mj/h):	L&R:16.5 M:7.2
Pan Support:	Cast Iron
Panel Material:	All-in-one stainless steel (Super alloy panel)
Knob:	Anti-Slip & Anti-Scald Bakelite Knob

Unit: mm



■ Inlet connection region for flexible hose



Upper Inlet Wind Type Structure

More suitable for Australian sealed cabinets

FOTILE's Burn Tech-II

0 Sec Ignition

Super large Drip Pan & Rounded Edge

Easy Cleaning & Humanized Design

Warranty

Two-year On-Site repair service(including parts & labour); the tempered glass panels of glass cooktop are covered by a ten-year (parts only) warranty.