

HOME APPLIANCES

User Manual

Fixed Rangehood
R60FS, R60FW, R90FS & R90FW



CONTENT

Safety Information and Warnings

Installation Instructions

Operation Instructions

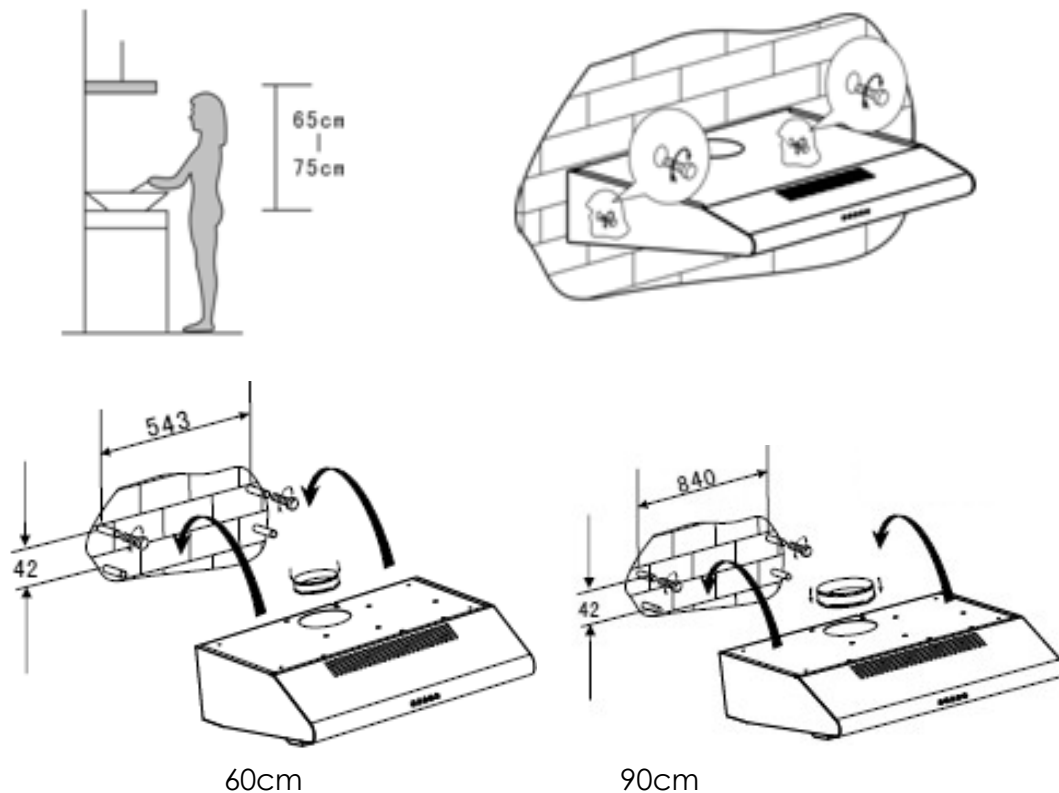
Safety Information and Warnings

- Please ensure this manual is read carefully before installation and use. Keep this manual in a safe and accessible location should future reference be required.
- The installation work must be undertaken by a qualified and competent fitter.
- The manufacturer disclaims all liability for any damage or injury caused as a result of not following instructions for installation contained in the following text.
- Young children should be supervised to ensure that they do not play with the appliance.
- The appliance is not intended for use by persons (including children) with reduced physical, sensory or mental capabilities, or lack of experience and knowledge, unless they have been given supervised or instruction concerning use of the appliance by a responsible person for their safety.
- Your cooker hood is for domestic use only, not suitable for barbecue, fast - food shops, and other commercial use.
- Any installation work must be carried out by a qualified electrician or competent person.
- The cooker hood and its filter mesh should be cleaned regularly in order to keep in good working order.
- Before cleaning, always ensure that you have switched your cooker hood off.
- Do not flambé under the range hood.
- Clean the cooker hood according to the instruction manual, and keep the cooker hood away from the danger of flames.
- If there is any fault with your cooker hood, please call the customer service number in the Warranty Card.
- Please keep the room adequately ventilated when your cooker hood and gas hob are working.
- Do not exhaust the gas from cooker hood through the same heated flue which is for the gas from gas hob and other kitchen appliances.
- The cooker hood is used on 220/240v, 50Hz. Before installation and usage, read all the instructions and make sure that the voltage (V) and the frequency (Hz) indicated on your cooker hood are exactly the same as the voltage (V) and the frequency (Hz) in your home.
- To ensure that you get the best Warranty experience for your cooker hood, please provide copies of the Warranty Card and purchase receipt, when booking warranty work with the Customer Service department.
- The air must not be discharged into a flue that is used for exhausting fumes from appliances burning gas or other fuels (not applicable to appliances that only discharge the air back into the room).
- Warning: Failure to install the screws or fixing device in accordance with these instructions may result in electrical hazards. Accessible parts/ light bulbs may become hot when used with cooking appliances.

Installation Instructions

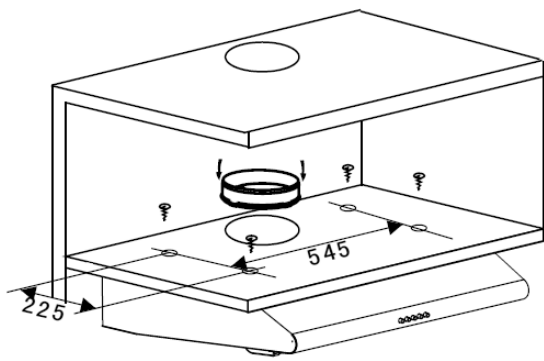
Method one:

1. The cooker hood should be placed at a distance of 65-75cm from the cooking surface for best effect. The Australian authority requirement is the distance from the highest part of a gas cooktop is 600mm and electric cooktop is 650mm to the bottom of the range hood
2. To install onto the wall, drill 4 holes of \varnothing 8mm at a suitable place according with the centre distance of hole in the back of the cooker hood.
3. Insert the nut into the holes.
4. Insert the screws (ST4*30) into the nuts and tighten.
5. Put up the cooker hood onto the fixed screws.
6. Then use the attached accessories enclosed to turn the screws into the two holes of inside the hood, and then fix the screws to tighten the hood onto the wall.
7. Put the one way valve onto the cooker hood.

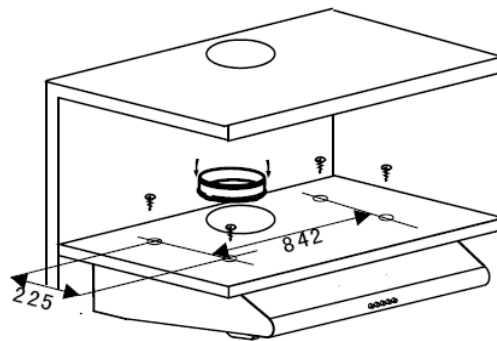


Method two:

1. Drill 4 holes of \varnothing 6mm at the bottom of the hanging cupboard.
2. Put the one way valve on the cooker hood, then install the cooker hood on the bottom of the cupboard, tighten the hood with enclosed 4 screws (M4*35).
3. Install the adjusted board on the bottom of the hood in order to keep out the gap between hood back and cupboard.



60cm

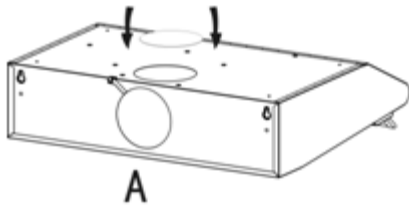


90cm

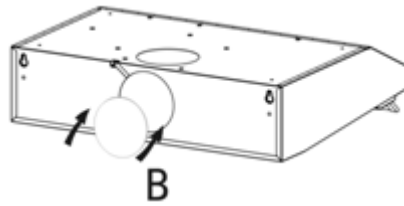
Notice:

There are 2 methods for ventilation, including 'horizontal ventilation' and 'vertical ventilation'. Please pay attention to the ventilation method when installation.

1. Horizontal ventilation: As pic. A shown, please use the cover to seal the outlet on the top, then the air can be vented from back.
2. Vertical ventilation: As pic B shown, please use the cover to seal the outlet on the back, then the air can be vented from top.



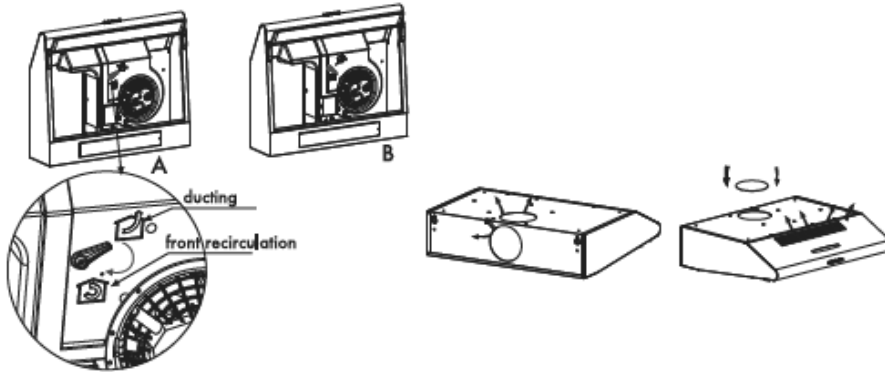
A



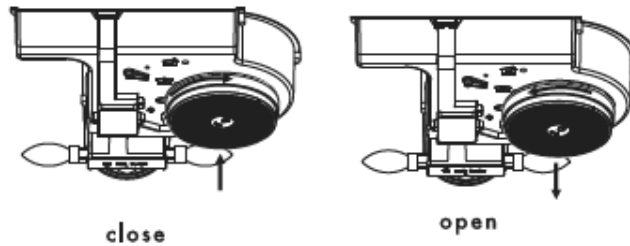
B

Operation Instructions

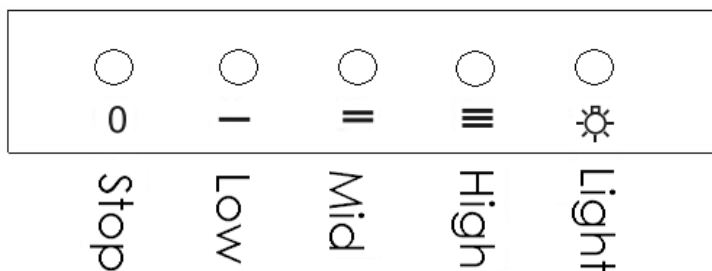
1. Outdoor air ventilation: Turn the adjuster to outdoor position (pic A), install the outlet, turn on the cooker hood, then the air will be vented from the outside outlet.
2. Indoor air ventilation: Turn the adjuster to indoor position (pic B), install the outlet cover, turn on the cooker hood, then the air can be vented from the inside outlet.



When you choose “front re-circulation mode”, the charcoal filter must be installed.

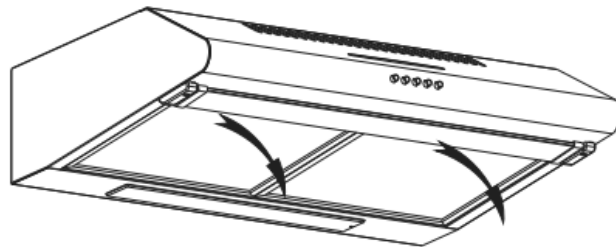


1. Push stop button, and the motor will stop.
2. Push the Low button, the motor runs at low speed.
3. Push the Mid button, the motor runs at mid speed.
4. Push the High button, the motor runs at high speed.
5. Push the light button and the two lights will come on. Push it again and the lights will turn off.

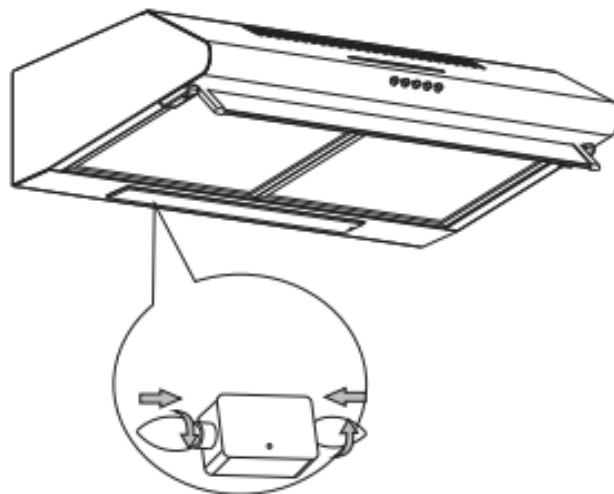


Care and Maintenance

1. The rangehood and its filter mesh should be cleaned regularly in order to keep in good working order. Because the grease filters are made of metal, do not clean the filters with detergents that will corrode metal products.
2. Clean the filters as below:
Method one:
Put the filter in water (40°-50°), pour in some grease-loosening detergent, soak it for about 2-3 minutes and then clean it with a soft brush. Do not brush too hard, as it may damage the filter.
Method two:
You can also put the filter into the dishwasher with detergent for cleaning. Set the temperature at around 60°.
3. To protect the main body from corrosion over a long period of time, the rangehood should be cleaned with hot water plus soap or non corrosive detergent once a week. Do not use abrasive detergent, or it will damage the body.
4. Keep the motor and other spare parts free from water, as this will cause damage to the appliance.
5. To disassemble and assemble the filter, please refer to the below picture.



6. To change the light, press the lamp cup, take out the bulb counter-clockwise.



Trouble Shooting

| Fault | Cause | Solution |
|--|---|--|
| Light on, but motor does not work | The leaf blocked | Get rid of the blocking |
| | The capacitor damaged | Replace capacitor |
| | The motor jammed bearing damaged | Replace motor |
| | The internal with of motor off or a bad smell from the motor | Replace motor |
| Light does not work, motor does not work | Beside the above mentioned, check the following: | |
| | Light damaged | Replace lights |
| | Power cord looses | Connect the wires as per the electric diagram |
| Oil leakage | One way valve and the air ventilation entrance are not tightly sealed | Take down the one way valve and seal with glue |
| | Leakage from the connection of U-shaped section and cover | Take U-shaped section down and seal with soap or paint |
| Shake of the body | The leaf damaged and causes shaking | Replace the leaf |
| | The motor is not tightly hanged | Lock the motor tightly |
| | The body is not tightly hanged | Fixed the body tightly |
| Insufficient suction | The distance between the body and the gas top too long | Readjust the distance |
| | Too much ventilation from open doors or windows | Choose a new place and resemble the machine |
| The machine inclines | The fixing screw not tight enough | Tighten the hanging screw and make it horizontal |
| | The hanging screw not tight enough | Tighten the hanging screw and make it horizontal |

Distributed by:

Home Appliances Pty. Ltd.

20 Carlotta Street, Artarmon NSW 2064

Tel: 02 9958 3111 **Fax:** 02 9958 3555 **Customer Care:** 1800 444 357

Email: info@hapl.com.au **Website:** www.hapl.com.au