

Euromaid

COOKING APPLIANCES

*Compact
Cookens*

**Operating
Instructions**

CONTENTS	PAGE
SAFETY FIRST	2
ELECTRICAL REQUIREMENTS	3
LOCATION OF CONTROLS	3
INSTALLATION INSTRUCTIONS	4
BEFORE FIRST USE	4
OPERATING YOUR COMPACT COOKER	5
HOTPLATES OPERATION	5
OVEN OPERATION	7
GRILL OPERATION	7
CLEANING AND CARE	8
PROBLEM SOLVING	8
DO'S AND DON'TS	9
GUARANTEE DETAILS	10

Congratulations on your choice of a Euromaid quality multi function Compact Cooker which has been designed to give you service for many years.

WARNING!

IMPORTANT:

DO NOT connect the Compact Cooker to the electricity supply until all packing and transit protectors have been removed.

Declines to accept any liability should the instructions not be followed.

This Compact Cooker must only be used for its intended purpose i.e. the cooking of items.

The mains lead must not come in contact with any part of the appliance during and after operation.

To obtain the best possible performance and trouble free operation from your appliance it is very important to carefully read these instructions.

Failure to observe these instructions may invalidate your right to free service during the warranty period.

We suggest you keep these instructions in a safe place for easy reference.

IMPORTANT TIPS FOR YOUR SAFETY

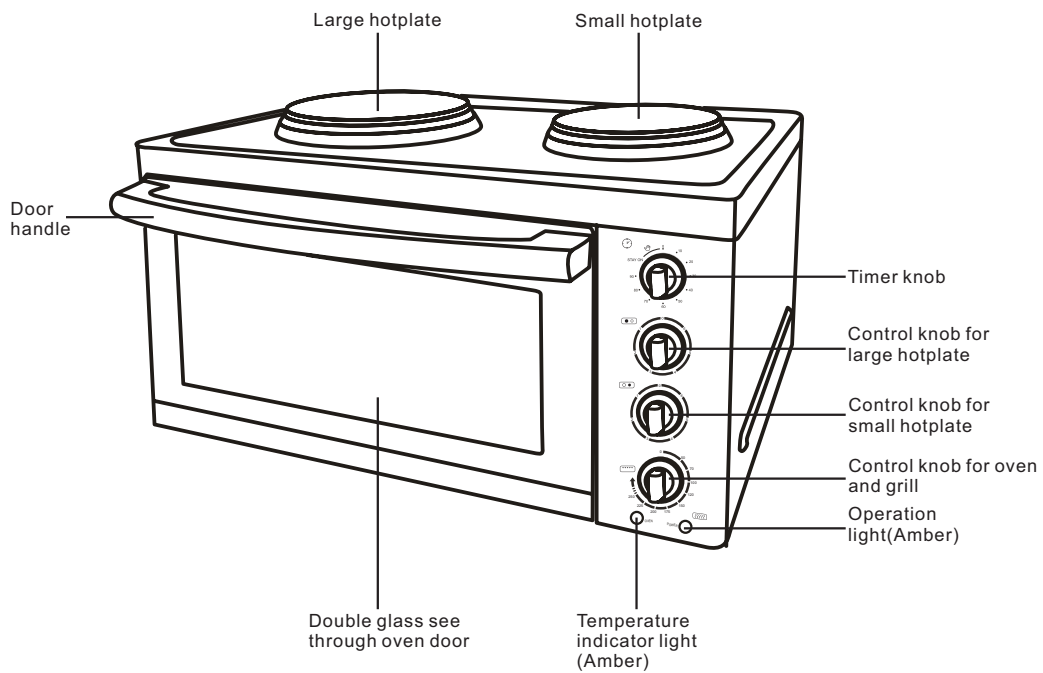
- (1) During operation of this appliance the door and outer surfaces will get hot. Take care not to touch surfaces during use.
- (2) Ensure the appliance is positioned in a location where it cannot be reached by children.
- (3) Always use oven gloves when removing the grill rack, baking tray and dishes from inside the oven when in use.
- (4) Always switch off the appliance and unplug from the mains socket when the appliance is not in use, before cleaning, or in the unlikely event of a product failure becoming apparent.
- (5) Close supervision while cooking with this appliance is recommended at all times however special care should be taken when cooking oily, and fatty foods as overheating of such food can cause them to catch fire.

ELECTRICAL REQUIREMENTS

Before you insert the plug into the wall socket make sure that the voltage and the frequency shown on the rating plate at the rear of the appliance corresponds to your electricity supply.

We recommend that this appliance is connected to the mains supply via a switched suitable and fused socket in a readily accessible position.

LOCATION OF CONTROLS



INSTALLATION INSTRUCTIONS

- 1- Ensure that this appliance is positioned on a heat resistant surface near to an electric socket of the correct rating.
- 2- If you want to install the cooker in a recess between units, then a minimum of 1"(25mm) must be left around the sides and back of your Compact Cooker to allow adequate ventilation and enable the Compact Cooker to be pulled out for cleaning.
- 3- Ensure that no flammable materials are adjacent to the appliance as the sides of the appliance become hot during operation.

1. Timer

The timer functions as a switch to connect or cut off the power to the cooker. The timer length is 90 minutes, and when the set time has finished, i.e. the knob points to "0", the cooker will automatically shut off power. When it points to "Stay On", the cooker remains in power on mode with no time limit.


2. Hotplates

Adjust the hotplates to mid position (3) and leave on for approximately 8 minutes in order to burn off the protective coating on the hotplates. Do not place any pans or other cooking utensils on the hotplates during this process. Fumes will be emitted during the above operation but this is quite normal.

3. Oven

In order to burn off the protective coating, remove grill rack and baking tray and turn the oven control knob to 200 °C and run the oven for approximately 15 minutes, again fumes will be emitted as the protective coating is burnt off but this is quite normal.

4. Grill

To burn off the protective coating on the grill, set the control to the grill position. turn the oven/grill knob in a clockwise direction until the grey pointer line on the knob clicks into position in line with the grill symbol  which is located to the top left handside of the knob. Operate for approximately 15 minutes with the oven door open, again fumes will be emitted but this is quite normal.

IMPORTANT!

You must ensure that the above operations 1,2 and 3 are conducted in a well ventilated area.

When burning off the protective coating, the oven door must always be left open.

OPERATING YOUR COMPACT COOKER

This appliance is designed to operate from a 10 AMP socket and for safety reasons, the large hotplate will not operate whilst the grill or oven is being used.

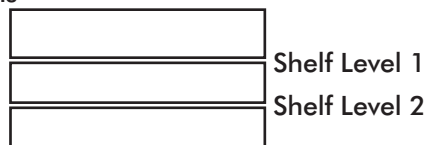
The following are examples of possible operating combinations:

- Small hotplate (Only)
- Large hotplate (Only)
- Both hotplates.
- Grill (Only).
- Oven (Only).
- Small hotplate and oven.

IMPORTANT NOTE: “LARGE HOT PLATE, WHICH IS ON THE LEFT HAND SIDE, WILL NOT OPERATE FOR SAFETY REASONS, WHEN BOTH THE SMALL HOT PLATE AND THE OVEN (OR GRILL) ARE SWITCHED ON SIMULTANEOUSLY.”

The Compact Cooker has 2 shelf positions

(See diagram). A Baking tray and integrated grill rack is supplied for use with the cooker.



Select the correct shelf position before pre-heating the oven for cooking as follows:

Level 1 : Baking tray and integrated grill rack for grilling and browning of toppings etc.

Level 2 : Baking tray only for baking, roasting and stewing.

HOTPLATES OPERATION

Temperature controls for hotplates are situated on the panel beside the oven door.

Each hotplate has adjustable settings from 1 to 6 and are operated by turning in an anticlockwise or clockwise direction.

We recommend the following setting for hotplate knob adjustment:-

Positions	1	2-3	4-5-6
Applications	Warming	Simmering	Cooking Boiling Frying

- Always use flat bottomed pans to ensure perfect contact with the hotplate surface.
- Ensure that the bottom of any saucepan used is clean and dry before use.
- Size of pans should ideally be the size of the hotplate or slightly larger. If you use pans with a smaller diameter then energy is lost. Try and avoid any spillages onto the hotplates as this may cause damage.

We recommend that you use the following size of pans:-

for small hotplate : 6"(150mm)

for large hotplate : 7"(180mm)

ALWAYS SWITCH OFF THE HOTPLATES AFTER USE.

OVEN OPERATION

The oven is thermostatically controlled.

Temperature adjustment of the oven is operated by turning the oven/grill knob in a clockwise direction.

Temperature settings may be made from 50 °C to 250 °C.

When the oven/grill knob is turned clockwise "POWER" and "OVEN" lights will illuminate. The POWER light will glow to indicate the oven is on. The POWER light will go out when the control knob is moved to the "O" position.

The OVEN light positioned next to the POWER light is a temperature indicator. The OVEN light will continue to illuminate until the preset temperature set using the temperature control knob is reached.

Once the temperature has been reached the OVEN light will go off and then cycle on and off during use to maintain the pre-set temperature.

We recommend you to reduce cooking times compared to full size cookers by about 1/5 and then ensure the food is cooked properly (eg: piping hot)

GRILL OPERATION

IMPORTANT!

When using the grill, the oven door must always be left open, As shown in the diagrams below Status 1 or Status 2.

Please select the open status according to your food or recipe.

CAUTION:


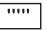
Accessible parts may become hot when the grill is in use.
Children should be kept away



Status 1



Status 2

“To operate the grill, turn the oven/grill knob in a clockwise direction until line on the knob clicks into position in line with the grill symbol  which is located to the top left handside of the knob. To click the knob to the grilling position, turn the knob firmly beyond the ‘250’ mark”.
When the oven/grill knob is set to  both “POWER” and OVEN lights will illuminate. The POWER light will continue to glow while the grill is in operation. POWER light will go out once the control knob is turned to the “O” position.
Once the internally pre-set temperature is reached the OVEN light will go off and then cycle on and off during use to maintain the internally pre-set temperature. When the power to the grill element is cut off the OVEN light will go off.

TO TURN THE GRILL OFF, ROTATE THE KNOB IN AN ANTI CLOCKWISE DIRECTION TO “O” POSITION.

IMPORTANT!

A built-in safety feature of the appliance means that the grill will cycle on and off during operation and this is indicated by the OVEN light. This operation does not affect the grilling operation as radiant heat is maintained at all times while the grill is in the on position.

CLEANING AND CARE

Before cleaning always switch your Compact Cooker off at the socket outlet and pull out the plug.

Warning

- * Make sure that the oven, grill and hotplates are cool before you start cleaning.
- * As the hotplates are of a solid type, a residual heat will remain after you switch off the Compact Cooker so take care not to touch hot surfaces.
- * Do not immerse your Compact Cooker in water.

Use a damp cloth to clean the interior and exterior. Never use any sharp instruments, abrasive household cleaner, or detergents for cleaning. For hard stains use suitable washing liquid.

After cleaning, warm the hotplates for a few minutes to dry any residual moisture off. Ensure that the door seal is dry after cleaning. We recommend that grill elements be wiped with a damp cloth to remove any fat splashes. This will prevent fumes for any fat being burnt off when the Compact Cooker is next used. Again before cleaning ensure the grill elements are cool.

NOTE: Even though grease and other foodstuff may leave marks on hobs when baked on, they will not affect the performance of the appliance under normal conditions.

PROBLEM SOLVING

If the appliance does not operate when switched on, check;

- The plug is inserted properly in the socket and that the power supply is on. (To check the power supply to the socket, plug in another appliance).
- The fuse has blown/circuit breaker has tripped/main distribution switch has been turned off.
- The temperature control has been set correctly.

If the appliance is still not operating at all after above checks contact the service agent in your area (refer warranty details.)

IMPORTANT NOTE: "large hot plate, which is on the left hand side, will not operate for safety reasons, when both the small hot plate and the oven (or grill) are switched on simultaneously."

DO'S AND DON'TS

- DO** : Clean your Compact Cooker regularly, ideally after each use.
- DO** : Leave the oven door open when grilling.
- DO** : Use flat bottomed saucepans to ensure good contact with the hotplates. This ensures energy efficient operation.
- DO** : Make sure that overheating does not occur by supervising at all times.
- DO** : Ensure that the Compact Cooker is positioned away from the reach of children.
- DO** : Leave a gap of 1 1/2" (40 mm) both sides of the sheet to ensure best results when using baking sheet.
- DO** : Use oven gloves to insert or remove grill rack and baking tray
- DON'T** : Use saucepans that have diameters less than that of the hotplates. If you use saucepans which have smaller diameters than hotplates, then energy will be wasted and also boiled over foodstuff may damage the hotplate.
- DON'T** : Use wire grill rack outside the oven.
- DON'T** : Leave your Compact Cooker unattended.
- DON'T** : Let the mains cable touch any part of your Compact Cooker.
- DON'T** : Put anything on the oven door.
- DON'T** : Turn oven/grill knob in the wrong direction. You might damage the appliance.
- DON'T** : Use cleaning material that may scratch the appliance.
- DON'T** : Leave the oven dirty after each roasting; this will avoid
- DON'T** : the extra cleaning which will be required if the fat splashes are left to bake on.
- DON'T** : Put food to be cooked on the oven floor . Always use a baking tray.
- DON'T** : Touch the door or external surfaces of your Compact Cooker during operation as they may be hot.
- DON'T** : Cook with 2 baking trays in the oven at the same time as it will affect the cooking performance of your Compact Cooker.

WARRANTY

ELECTRICAL DISTRIBUTORS AUSTRALIA PTY LTD (ABN 11 051 297 557) a division of Home Appliances Pty Ltd

Euromaid

Address: 20 Carlotta Street, Artarmon NSW 2064 Phone: 1800 805 300
EMAIL: service@hapl.com.au Website: www.euromaid.com.au

FOR AUSTRALIA & NEW ZEALAND

TERMS AND CONDITIONS

This warranty is in addition to your normal statutory entitlements and specific legal rights. Our goods come with guarantees that cannot be excluded under the Australian Consumer Law as prescribed and set out in regulation 90 of the Competition and Consumer Act 2010.

1 Electrical Distributors Australia Pty Ltd warrants this appliance to the original purchaser against defective materials and workmanship for a period of **24 months** of ownership, that any part with defective material be replaced free of charge, provided that all service work is carried out by Electrical Distributors Australia Pty Ltd or nearest appointed service agent.

3 months warranty (Non Domestic USE)

Regardless of the product type, warranty of appliances installed and operated in a non domestic installation, such as an office or factory etc., is limited to Three (3) Months from date of purchase.

NOTE: Microwave Ovens & Portable products, ie., MC130T & BT44 are to be returned to the nearest service agent by the purchaser. These products offer **NO** in house warranty repairs

3 months warranty products (Non Domestic USE)

Regardless of the product type, warranty of appliances installed and operated in a non domestic installation, such as an office or factory etc., is limited to Three (3) Months from date of purchase.

2 If you are located **25 kilometres** outside a recognised Electrical Distributors Australia Pty Ltd or its Appointed Service Agent service area the purchaser must cover the cost of sending the appliance to the service centre or any extra travel cost incurred by the technician in order to service the appliance.

3 Electrical Distributors Australia Pty Ltd is not liable for any other loss other than the appliance itself.

4 This warranty does not cover the following circumstances:

- An act or acts of God, any natural occurrence or other circumstances not within the control of Electrical Distributors Australia Pty Ltd (such as fire, storm or water damage).
- An attempt by any person (other than an employee or authorised service agent of Electrical Distributors Australia Pty Ltd to repair or modify the appliance).
- Where the rating plate has been removed or any details on that plate have been rendered illegible.
- If the appliances have been installed, operated or maintained in a manner that is not in accordance with the instructions supplied by Electrical Distributors Australia Pty Ltd.

- If product failure is the result of connection to a power supply that does not correspond to that shown on the ratings plate or if the power supply is inadequate or faulty, eg. 3 phase, 415V where the links are not removed instead of single phase, 240V.
- Normal wear and tear, misuse or damage to the appliance or use of the appliance in a manner for which it was not intended.
- Failure of electrical components due to power surges or outages.
- Electrical Distributors Australia Pty Ltd will not be obliged to comply with its obligations under this Warranty until you have paid the full purchase price for the appliances.

6 The warranty does not extend to cover:

- Discoloured burners or trivets on gas cooktops or chrome surrounds on electric cooktops
- Discolouration caused by steam, heat or venting during normal use
- Plastic or enamel components
- Light globes, filters or any consumables
- Insect or vermin infestation
- Corrosion where the product is located within a corrosive environment
- Discolouration of aluminium grease filters that have been effected due to cleaning in a dishwasher

7 Electrical Distributors Australia Pty Ltd excludes all warranties and conditions that may be implied into this Warranty or the Contract for Supply and limits its liability for a breach of any implied condition or warranty that cannot be excluded to the greater of (Electrical Distributors Australia Pty Ltd option):

- For goods, repairing or replacing those goods or paying for the cost of those goods repaired or replaced; and
- For services, resupplying the services or paying for the cost of having those services resupplied.

8 Proof of purchase will be required for the validation of all warranty claims.

9 Our goods come with guarantees that cannot be excluded under the Australian Consumer Law. You are entitled to a replacement or refund for a major failure and for compensation for any reasonably foreseeable loss or damage. You are also entitled to have the goods repaired if the goods fail to be of acceptable quality and the failure does not amount to a major failure.

Build-In & Freestanding Appliances

Access must be granted within normal working hours and our Service Agents must have easy access to these appliances. Any charges will be the responsibility of the purchaser where the service technician cannot obtain easy access to remove the appliances for inspection prior to repair.

PROOF OF PURCHASE

Proof of purchase will be required for the validation of all warranty claims. Documents suitable for proof of purchase include, but are not limited to the following:

- Delivery dockets;
- Retailer or supplier invoices;
- Credit card statements where the purchase of the appliances are clearly depicted.

The inability to provide proof of purchase will lead to the claim being treated as a service call with labour and parts costs being born by the claimant.

NOTE: There is no need to return this or any other warranty card to Electrical Distributors Australia Pty Ltd. Proof of purchase is the only requirement for warranty claim, please keep a copy of the purchase receipt with this warranty card.

AUTHORISED SERVICE AGENTS

Below is a list of our main Metropolitan service agents although we have a much larger network of Service Agent nationally. Visit www.customersupport.hapl.com.au and click on the 'WARRANTY & NON WARRANTY' tab to locate your closest service agent or call us **Toll Free 1800 805 300 (Australia Wide)**

NSW

ALL GENERAL WHITEGOODS
4/11 HALLSTROM PLACE
WETHERILL PARK 2164 NSW
PH: 02 8788 8666
FAX: 02 9756 1091

VIC

MASTER TECH APPLIANCE SERVICES
9 KIRKHAM ROAD
DANDENONG 5TH VIC 3175
PH: 1300 131 118
FAX: 1300 366 705

QLD

ENDEAVOUR REFRIGERATION
UNIT 1/ 22 ZILLMERE ROAD
BOONDALL QLD 4034
PH: 07 3137 3600
FAX: 07 3137 3663

QLD - GOLD COAST

ROSHAD APPLIANCE SERVICE
1/13 LEDA DRIVE
BURLEIGH QLD 4220
PH: 07 5535 7044
FAX: 07 5535 7407

WA

DACAPS APPLIANCE PARTS AND SERVICE
357 SEVENOAKS STREET
CANNINGTON WA 6107
PH: 1800 322 277
FAX: 1800 354 310

SA

PRESTIGE APPLIANCE SERVICE
UNIT 4/ 65 STEPHENS AVENUE
TORRENSVILLE SA 5031
PH: 08 8352 2022
FAX: 08 8352 2044

TAS

FARR ELECTRICAL CONTRACTOR
369A ARGYLE STREET
NORTH HOBART TAS 7002
PH: 03 6231 0275
FAX: 03 6231 0285

185.9514.43/R1/30.04.02