

# EFS54FC-DDS

## 54cm 5 Function Dual Fuel Freestanding Cooker

**Euromaid**



### KEY FEATURES

Finish	Stainless Steel
Oven Functions	5
Oven Capacity	83L
Grill Capacity	20L
Controls	Rotary knobs
Side Racks	Removable
Shelf Positions	5
Oven Light	Yes
Cooling System	Yes
Door Glass	Triple glazed
Timer	Mechanical
Cooktop Type	Gas
Cooktop Burners	4
Trivets	Cast iron
Wok Support	Cast iron
Flame Safety Device	Yes
Ignition	Automatic

### OVEN FUNCTIONS

Function 1	Light
Function 2	Grill
Function 3	Fan Grill
Function 4	Fan Forced
Function 5	Defrost

### COOKTOP BURNERS

Front Left	Wok 13.68MJ/h
Front Right	Auxiliary 3.6MJ/h
Rear Left	Semi Rapid 6.3MJ/h
Rear Right	Semi Rapid 6.3MJ/h

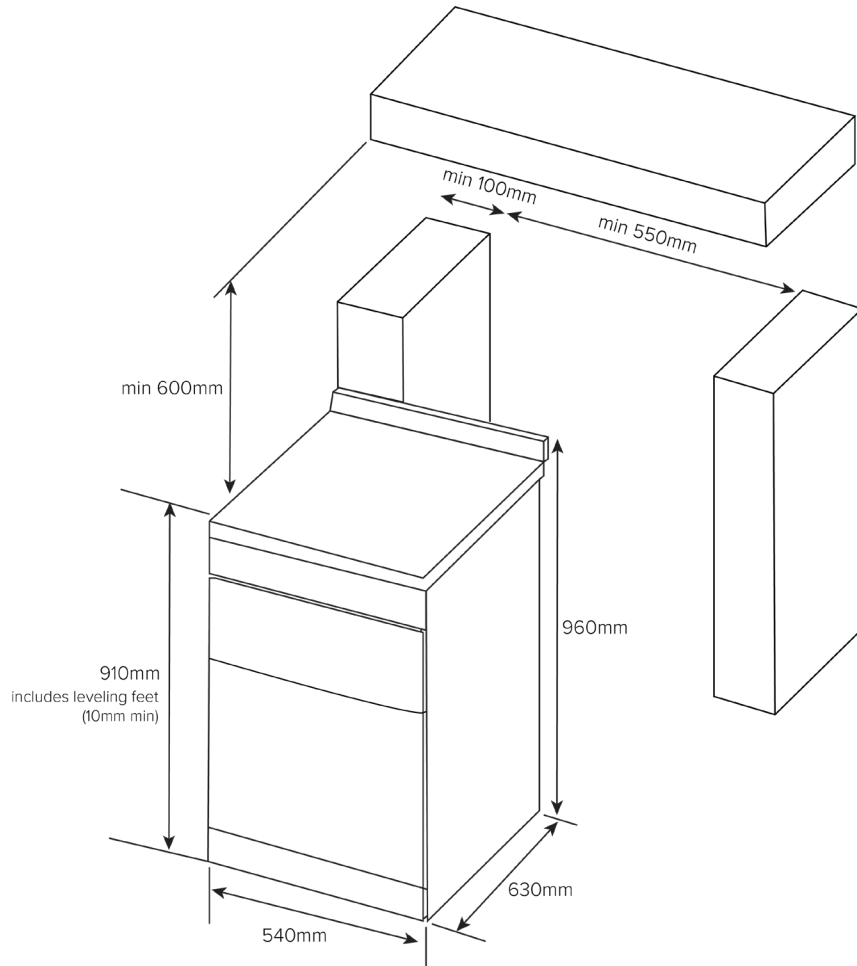
### ACCESSORIES

Chrome Shelves	2
Tray + Grill Insert	1

# EFS54FC-DDS

## 54cm 5 Function Dual Fuel Freestanding Cooker

Euromaid



### INSTALLATION

Electrical Connection	10A plug
Power	220 - 240V / 50 - 60Hz
Total Wattage	3490 - 4170W
Gas Type	NG / ULPG
LPG Conversion Kit	Included
Gas Inlet type	½" BSP male
Gas Input NG/ULPG	29.88 MJ/h

### DIMENSIONS (W x H x D)

Product Boxed (mm)	590 x 982 x 712
Product Un-boxed (mm)	540 x 910 x 630
Cut-Out (mm)	550 x 1510 x 630

\*Cut out height includes minimum distance required to rangehood

### WEIGHT

Product Boxed (kg)	54.3kg
Product Un-boxed (kg)	49.5kg

### WARRANTY

2 Years	Parts and Labour
---------	------------------

VERSION NO. 20210827

Product and cut-out dimensions are to be used as a guide only. Please refer to actual product before installing, or refer to the instruction manual or website for full instructions

[www.euromaid.com.au](http://www.euromaid.com.au)