

Troubleshooting

Review the following pages before calling for service.

Problem	Possible Cause	What to do
Timer knob does not turn	<ul style="list-style-type: none"> Is the power cord inserted firmly? 	<ul style="list-style-type: none"> Insert the power cord firmly.
Drum does not turn	<ul style="list-style-type: none"> Is the door closed? Is the power cord inserted? Does the receptacle have power? 	<ul style="list-style-type: none"> Close the door. Insert the power cord firmly. Check the power cord receptacle.
Hot air is not blowing out	<ul style="list-style-type: none"> Does the receptacle have power? 	<ul style="list-style-type: none"> Set the timer to hot air.
The laundry is not thoroughly dried	<ul style="list-style-type: none"> Are the front and back filters clogged? Is there too much laundry in the dryer? Have items been added whilst the dryer is in operation? Has the laundry become twisted whilst drying? Has the dryer been placed in a small and badly ventilated area? Have you set the dryer to Anti-Wrinkle? 	<ul style="list-style-type: none"> Clean the filter. Reduce the amount of clothes in the dryer. Re-dry the items again. Untwist the items and re-dry. Place the dryer in a well-vented area. Try using 'Warm' or 'Hot' setting instead.
Dryer does not start	<ul style="list-style-type: none"> Is there a power failure? Is the power cord inserted firmly? Is the door closed? Is the timer in the OFF position? 	<ul style="list-style-type: none"> Try again when there is power. Insert the power cord firmly. Close the door. Set the dry time.

Dryer Technical Specifications

Model	ED45KG
Drying Capacity	4.5kg
Voltage	220-240V~ 50Hz
Rated Input	1450 W
Net Weight	20kg
Dimensions	600×435×700mm
Outlet Size	Φ80mm

NOTE: Consistent with our continuing product development policy, improvements may have been made which render the contents of this package slightly different to that shown.

Euromaid

User Manual

4.5kg Reversible Wall Mounted Dryer ED45KG



Important Safeguards

When using electrical appliances, in order to reduce the risk of fire, electric shock, and/or injury to persons, basic safety precautions should always be followed, including:

For Your Safety

Read all instructions carefully, even if you are quite familiar with the appliance.

- This appliance is not intended for use by persons (including children) with reduced physical, sensory or mental capabilities, or lack of experience and knowledge, unless they have been given supervision or instruction concerning use of the appliance by a person responsible for their safety.
- Young children should be supervised to ensure that they do not play with the appliance.
- INDOOR USE ONLY: this appliance is not intended for outdoor use.
- Do not place naked flame sources, such as candles, on the appliance.
- Do not locate the appliance or cord near heat sources such as radiators, heaters, air ducts or direct sunlight.
- Do not block any of the ventilation openings. Ensure that vents are not covered by newspapers, tablecloths, curtains etc.
- Do not run the cord under floor coverings. Instead, arrange the cord away from traffic areas where it will not become a trip hazard.
- To disconnect the appliance, turn the appliance off, switch off the power outlet and remove the plug from the power outlet.
- Do not misuse the cord. Never carry the appliance by the cord or pull to disconnect it from the outlet. Instead, grasp the plug and pull to disconnect.
- Do not operate the appliance if it has a damaged cord or plug, after the appliance malfunctions, or has been dropped or damaged in any way. Consult the manufacturer.
- Do not attempt to repair, disassemble or modify this appliance. The warranty becomes void if not serviced or repaired by a qualified person.
- Do not place items that have been soiled with flammable liquids inside the dryer without washing them with detergent thoroughly beforehand.
- Do not excessively bend, stretch, twist or bind the power cord or place heavy objects on it.
- Do not use an extension cord with this appliance.

- This appliance is only to be serviced by a qualified person. There are no user-serviceable parts inside.
- Do not install in a tight-fitting cabinet.
- Do not overload the tumble dryer.
- Ensure foreign objects do not find their way into the tub of the tumble dryer.
- The door window may be hot after a long drying cycle. Please ensure children are kept away from the machine.
- If the tumble dryer is not wall mounted, place in a flat, firm, dry and well-ventilated place. Use the adjustable front legs to assist in levelling the dryer if need be. Do not place it on any soft material such as foam or plastic.
- Do not use flammable or combustible materials such as gas, petrol, alcohol or lacquer in the tumble dryer.
- After turning off the power supply to the tumble dryer, wait at least 2 minutes before turning it back on again.
- Please remove the transport packaging at the rear of the tumble dryer, prior to use.
- If the supply cord is damaged, it must be replaced by the manufacturer, its service agent or similarly qualified persons in order to avoid a hazard.

CAUTION: If this appliance is supplied from a cord extension set or an electrical portable outlet device, the cord extension set or electrical portable outlet device must be positioned so that it is not subject to splashing or ingress of moisture.



Oil-affected items can ignite spontaneously, especially when exposed to heat sources such as in a tumble dryer. The items become warm, causing an oxidation reaction in the oil. Oxidation creates heat. If the heat cannot escape, the items can become hot enough to catch fire. Piling, stacking or storing oil-affected items can prevent heat from escaping and so create a fire hazard.

Save these Instructions

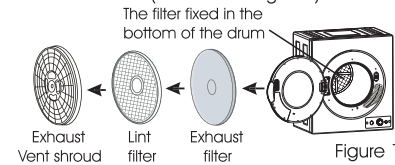
Maintenance

Cleaning the Lint Filter

Please unplug the power cord prior to any cleaning. The lint filter must be in place whenever drying. It must be cleaned before each use.

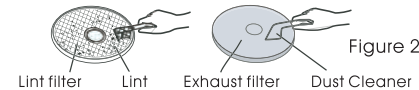
1. Removing the filters

Remove by pulling outwards with fingers, inserted into the four holes around the exhaust vent shroud. The filter is in 3 parts: Exhaust vent shroud, lint filter and exhaust filter (as shown in figure 1)



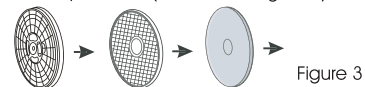
2. Cleaning the filter

Separate "exhaust vent shroud", "lint filter" and "exhaust filter". Clean the lint on the lint filter and exhaust filter with a soft brush or vacuum cleaner. Do not damage the filters (as shown in figure 2).



3. Re-installing the filter

After cleaning, assemble in the sequence of "exhaust filter - lint filter - exhaust vent shroud", align the recesses in the centre with the projection in the centre of the drum. Make sure that it is firmly inserted (as shown in figure 3).



Note: The filter fixed in the bottom of the drum should also be cleaned with a soft brush.

Cleaning of the Air Intake Filter

The filter should be cleaned once a month. Remove by pulling upwards, holding the upper and lower ends of the air intake shroud. Remove the filter inside the shroud and clean it with a soft brush. Reassemble and install as before.



Slightly push upwards with your thumb until the latch hook disconnects, then remove.

Cleaning the interior & exterior of the Dryer

Do not wash directly with water.

Do not use thinner, gasoline or alcohol.

Remove any residue before drying the next load.

Do not use any type of spray cleaner when cleaning the interior. If dryer drum becomes stained, clean the drum with a damp cloth.

Clean cabinet with mild soap and water. Do not use harsh or abrasive cleaners, as this could damage the dryer.

Do not dry unwashed items in the tumble dryer.

Items that have been soiled with substances such as cooking oil, acetone, alcohol, petrol, kerosene, spot removers, turpentine, waxes and wax removers should be washed in hot water with an extra amount of detergent before being dried in the tumble dryer.

Items such as foam rubber (latex foam), shower caps, rubber backed articles and clothes or pillows fitted with foam rubber pads should not be dried in the tumble dryer.

Fabric softeners, or similar products, should be used as specified by the fabric softener instructions.

The final part of the tumble dryer cycle occurs without heat (cool down cycle) to ensure that the items are left at a temperature that ensures that the items will not be damaged.

WARNING: Never stop a tumble dryer before the end of the drying cycle unless all items are quickly removed and spread out so that the heat is dissipated. This appliance is not intended for use by persons (including children) with reduced physical, sensory or mental capabilities, or lack of experience and knowledge, unless they have been given supervision or instruction concerning use of the appliance by a person responsible for their safety. Children should be supervised to ensure that they do not play with the appliance.



WARNING: Regularly clean the lint trap



CAUTION! HOT SURFACE

- Do not touch the intake during the drying cycle due to high temperatures

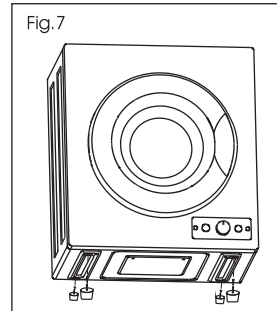
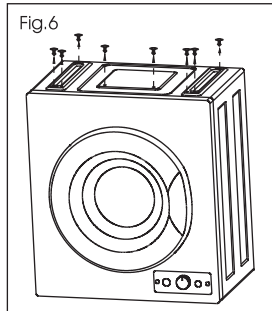


READ THE INSTRUCTIONS

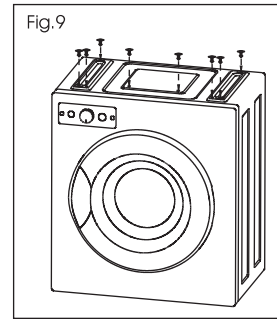
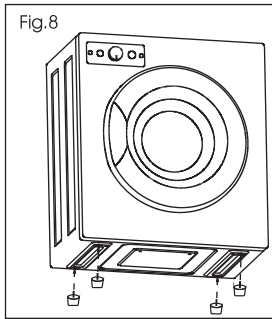
Upside down Installation

For convenience, this dryer can be installed upside down. The installation steps are below:

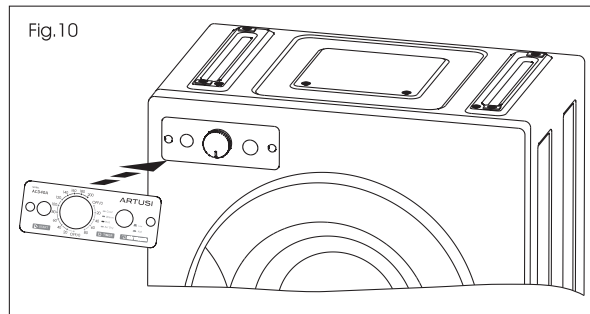
1) Take off the rubber plugs on the top of the unit (as per Fig.6). Then take off the four legs from the bottom (as per Fig.7).



2) Put the dryer upside down and install the four legs at the bottom (Top side of the original dryer, as per Fig.8). Push rubber plugs inside holes on the top of the dryer (Bottom of the original dryer, as per Fig.9).



3) There is a printed control panel in the accessories bag. Rip the protective paper and stick it over the existing panel, as per Fig.10.

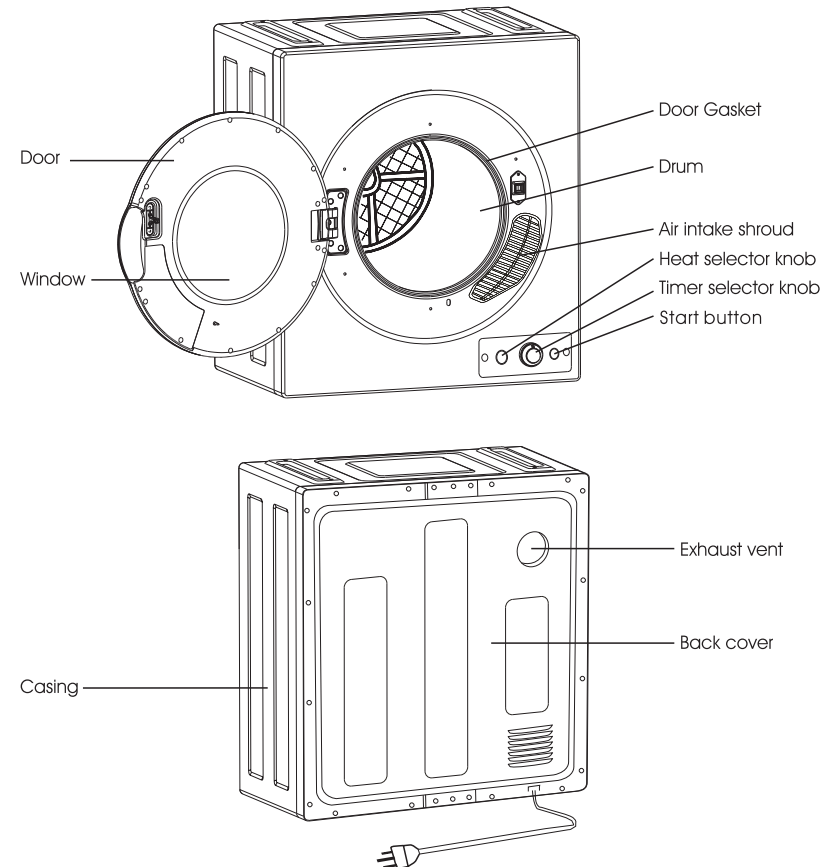


Upside down Wall Mounting Installation

The Upside down dryer can also be wall mounted. You can follow "Installation Instructions" and "Wall Mounting Instructions" on the Page 8 and Page 9 to install the tumble dryer.

- If it is unavoidable that fabrics that contain vegetable or cooking oil, or have been contaminated by hair care products, be placed in a tumble dryer, they should first be washed in hot water with extra detergent. This will reduce, but not eliminate, the hazard.
- Do not dry unwashed items in the tumble dryer.
- Items that have been soiled with substances such as cooking oil, acetone, alcohol, petrol, kerosene, spot removers, turpentine, waxes and wax removers should be washed in hot water with an extra amount of detergent before being dried in the tumble dryer.
- Fabric softeners, or similar products, should be used as specified by the fabric softener instructions.
- The final part of a tumble dryer cycle occurs without heat (cool down cycle) to ensure that the items are left at a temperature that ensures that the items will not be damaged.
- **WARNING:** Never stop a tumble dryer before the end of the drying cycle unless all items are quickly removed and spread out so that heat is dissipated.

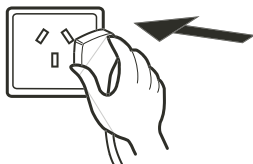
Description of the appliance



Operating your dryer

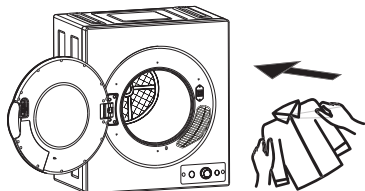
Electrical Requirements

The unit is required to be plugged into a three pin socket that is reliably grounded. Plug the power cord into the socket.



Loading the dryer

It is recommended that items are placed into the dryer one at a time. This ensures they are not tangled which results in uneven drying. When closing the dryer door prior to starting the unit, ensure that items are not jammed in the door.



Tips before drying

Prior to loading the dryer, check that the items do not have the following symbols anywhere on them. If they do, do not tumble dry these items.



Dry flat



Dry in the shade



Do not tumble dry

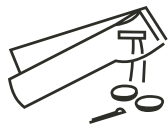


Hang to dry



Drip dry

- Check the items to be dried do not have combustible materials or foreign objects within them i.e.: lighters, hair pins, coins.



- Turn items with zippers inside out and fasten buckles.



- Dryer heat may permanently set stains, ensure you check prior to drying that stains are removed.

- Separate dark and light coloured items as you would do when washing.

- For best results load the dryer with similar fabrics. Place small delicate items in a mesh bag, and do not overload the dryer.

- The maximum mass is 4.5 kilograms of dry textile material for the dryer. Do not overload. The tumble dryer is intended only for drying textile material washed in water.

Drying time reference table

Drying Capacity	Dry time	
	Regular	Airing
Approx.1kg	Approx.30min	Approx.55min
Approx.2kg	Approx.60min	Approx.110min
Approx.3kg	Approx.120min	
Approx.4,5kg	Approx.200min	

Drying times can be affected by many factors, such as material, bulkiness, how full the dryer is etc. The above list is only a guide.

- To install the hanging hook to timber, start at Fig 2.

- Align hanging hooks and fasten screws tightly.

- Install exhaust connector: for upwards discharge, join sections 1 and 3, for downwards discharge, join sections 1, 2, 2, & 3 as per Fig 3. The maximum length of the venting hose (not supplied) that you connect to the exhaust connector must be 1.5 metres. The diameter of venting hose should be 80mm.

- Using 3 x 16 mm screws (provided) to fix the outlet in place firmly.

- Using 4 x 12mm screws (provided) to fix the 2 spacers as per Fig 4.

- With assistance, mount dryer on wall bracket as per Fig 5.

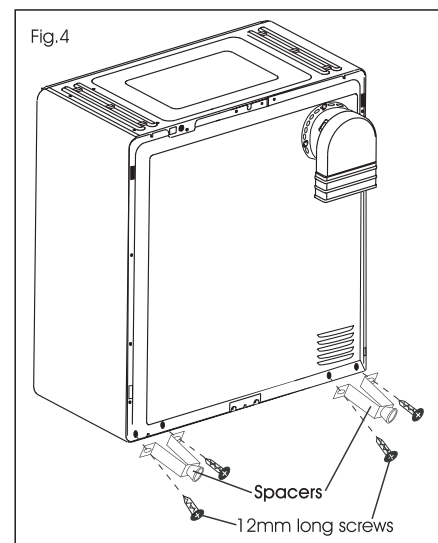
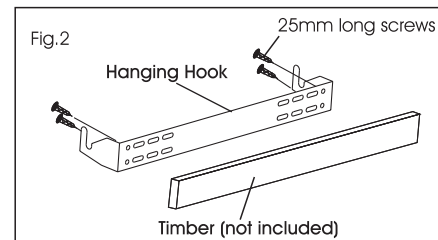
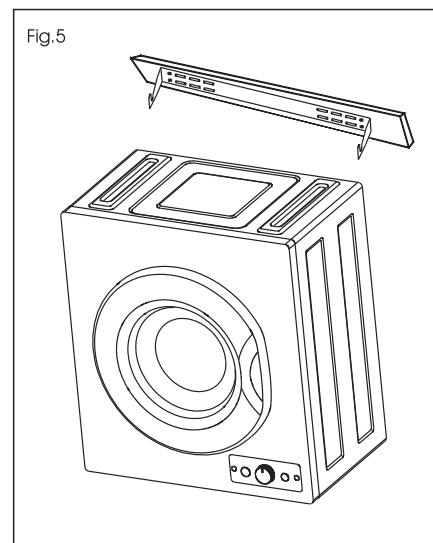
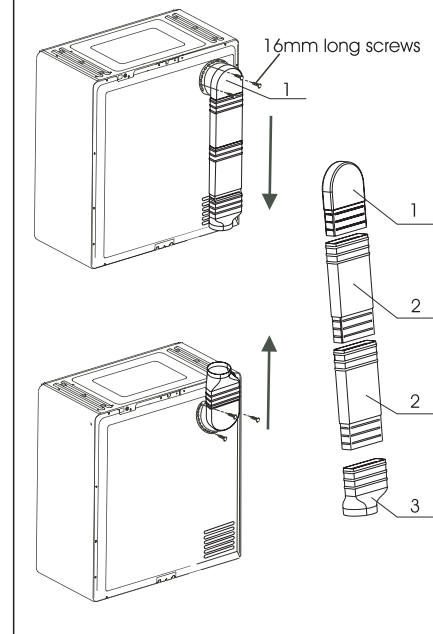


Fig.3



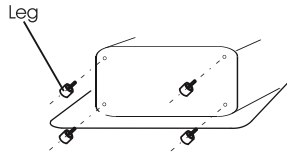
Installation Instructions

Where to place your dryer

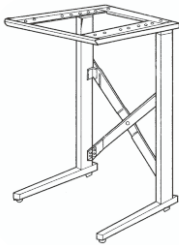
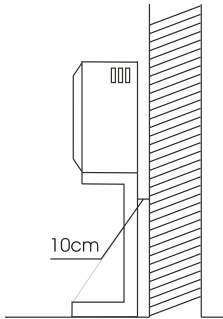
Place the dryer in a dry, well-ventilated area. It should be positioned away from heat and direct sunlight.

If the dryer is not wall mounted, it must be placed on firm horizontal ground. Do not place the dryer on carpet as this will block the intake. There should be at least 10cm between the dryer and the wall.

The dryer comes with fixed legs that need to be assembled to ensure stability.



If the dryer is rack mounted, a secure bracket is required to ensure stability and prevent vibration. At least 10cm between the dryer and walls is required (The bracket is not included).



Bracket

Wall Mounting Instructions

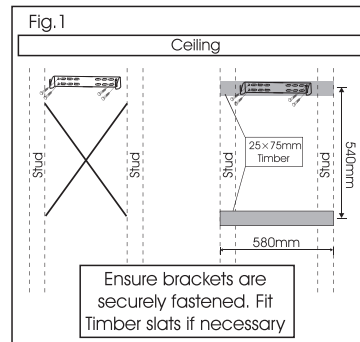
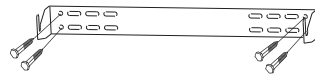
1. Determine dryer position on wall and mark required bracket position. This dryer is not suitable to be directly placed on top of a washing machine.

- * A minimum 50mm is needed between the top of the dryer and the ceiling for ease of installation.
- * If mounting above a washing machine, allow sufficient room to open the lid of the washing machine.

Tools Required		
Tools & parts required for plaster/ wooden wall	Drill & 3mm Bit	1
	Phillips Head screw Driver	1
	Wood Screws, φ12x50mm Timber screws	4
	Helper to lift dryer onto wall	1

Wall Mounting Kit Includes			
Description	Hanging brackets		1
	Plastic spacers		2
	Exhaust connector		1
	12mm Long Screws		4
	25mm Long Screws		4
	16mm Long Screws		3

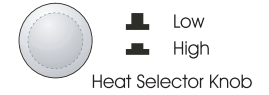
2. Fix the wall hanging brackets (1 supplied) to the wall securely (e.g. into the stud.) Fit a timber slot between the studs to mount the brackets if the stud position is too wide.



Control Panel Functions

Heat Selector button

Select 'High Dry' for items that are particularly bulky or large quantities. Select 'Low Dry' for delicate items such as silk, nylon, linen etc.



Drying Program Selector

There are five drying combinations available: Cool, Anti-wrinkle, Warm, Hot and Air dry.

Air Dry: This function runs with cool air, primarily to air items that require freshening. i.e.: clothes that have been stored for a long period of time.

Off: When the 'Drying Timer' dial is in the 'Off' position no power is supplied to the unit. As soon as the dial is turned clockwise to the desired program, the dryer will start.

Cool: This function is generally used to cool the items that have just been dried. This helps to prevent creasing. Instead of the motor pushing heat into the drum of the dryer it will generate cool air.

Warm: **Anti-wrinkle function:** This is used for items that are difficult to iron i.e.: cotton shirts and linen. Using the heat selector knob, choose 'Low'. Set the drying timer knob between 30-60 minutes depending on the amount of items in the dryer. Once the timer stops (including the Cool program) the items will still contain moisture, making the ironing process easier. **Warm drying function:** This function will dry and cool items and in most cases leave items wrinkle free (depending on material). Select the 'High' heat option. Set the timer between 60-120 minutes.

Hot: For drying large quantities or bulky items (Dryer drum is more than 1/2 full). Select the 'High' heat option and set the timer for more than 120 minutes.

Start button

After having set up the Heat Selector and Timer Dial, press the Start button. the dryer will start and work until the program is finished. If the during this process the door is opened or power is switched off, the dryer will stop working. In order to start the dryer again after the door is closed or power is switched back on, you will need to push the Start button, then the dryer will start working again.

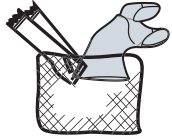


Start button

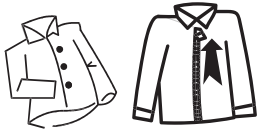
NOTE: This Start button is only designed to start the dryer working. If you press this button during the drying process, the dryer will not pause. In order to stop the dryer, you must turn the timer dial to the Off position.

Operation Precautions

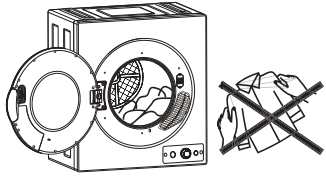
Delicate items should be placed into a nylon net bag prior to drying. It is not recommended to dry under wire bras in this unit.



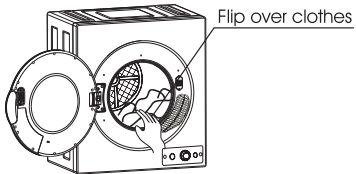
Ensure that foreign objects do not find their way into the dryer. All pockets should be emptied, and buttons, buckles and zips fastened. This will also help reduce impact noise when the items hit against the turning drum.



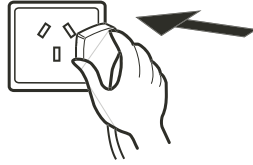
Do not add items into the dryer whilst it is in operation.



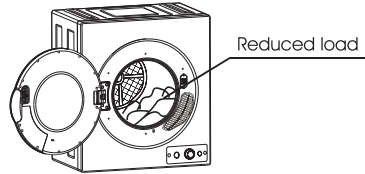
If drying large items such as a blanket, it is recommended that from time to time you open the dryer door, shake the item, place the item back in the dryer and close the door. This will ensure even drying.



Electrical Requirements: A three pin socket must be used (reliably grounded).



To ensure you get the most out of the Anti-wrinkle function, do not overload the dryer. Remove the dried items from the dryer immediately and hang on coat hangers. Iron the items if desired.



To minimize the risk of fire in a tumble dryer, the following should be observed:

- Items that have been spotted or soaked with vegetable or cooking oil constitute a fire hazard and should not be placed in a tumble dryer.

Oil-affected items can ignite spontaneously, especially when exposed to heat sources such as in a tumble dryer. The items become warm, causing an oxidation reaction in the oil. Oxidation creates heat. If the heat cannot escape, the items can become hot enough to catch fire. Piling, stacking or storing oil-affected items can prevent heat from escaping and so create a fire hazard.

If it is unavoidable that fabrics that contain vegetable or cooking oil, or have been contaminated by hair care products, be placed in a tumble dryer they should first be washed in hot water with extra detergent. This will reduce, but not eliminate, the hazard.

The 'cool down' cycle of tumble dryers should be used to reduce the temperature of the items. They should not be removed from the tumble dryer or piled or slacked while hot.

Items that have been previously cleaned in, washed in, soaked in or spotted with petrol/gasoline, dry-cleaning solvents or other flammable or explosive substances should not be placed in a tumble dryer.

Highly flammable substances commonly used in domestic environments include acetone, denatured alcohol, petrol/gasoline, kerosene, spot removers (some brands), turpentine, waxes and wax removers.

- Items containing foam rubber (also known as latex foam) or similarly textured rubber-like materials should not be dried in a tumble dryer on a heat setting.

Foam rubber materials can, when heated, produce fire by spontaneous combustion.

- Fabric softeners or similar products should not be used in a tumble dryer, to eliminate the effects of static electricity unless this practice is specifically recommended by the manufacturer of the fabric softener or product.

- Undergarments that contain metal reinforcements should not be placed in a tumble dryer.

Damage to the tumble dryer can result if metal reinforcements come loose during drying. When available, a drying rack could be used for such items.

- Plastic articles such as shower caps or babies' waterproof napkin covers should not be placed in a tumble dryer.
- Rubber-backed articles, clothes fitted with foam rubber pads, pillows, galoshes and rubber-coated tennis shoes should not be placed in a tumble dryer.