

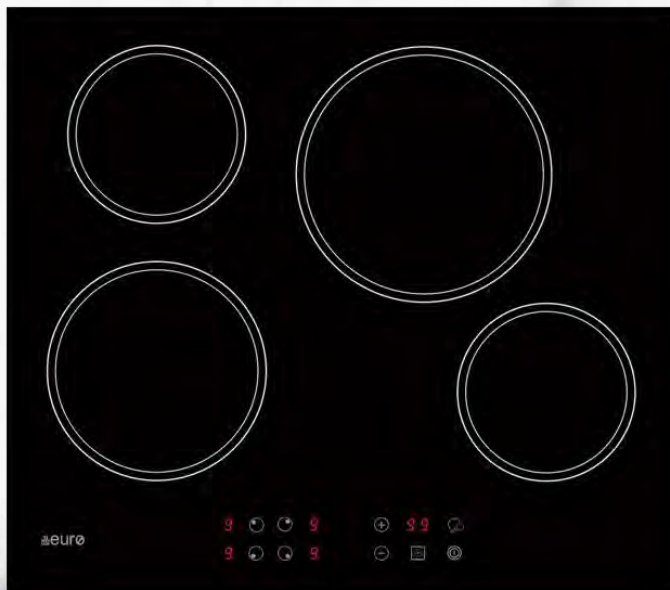


euro
appliances

cooking

USAGE AND
CARE GUIDE

PRODUCT CODE:
ECT60CR



GENERAL INFORMATION

Please read this booklet thoroughly before you use this appliance. It is important that you understand all the control functions before commencing to cook with your appliance.

Please remember the advice and warnings shown on page 5 which is headed **'IMPORTANT – Warning and Safety Instructions'**.

This appliance is designed for domestic household use when built into kitchen worktop.

NOTE: The housing, adjacent furniture and all materials used in the installation must be able to withstand a minimum temperature rise of 85°C above ambient during periods of operation. This information is for guidance only and the actual withstand temperature will depend on the performance rating for the surface finish of the worktop.

Certain types of kitchen furniture surface finishes are particularly prone to heat damage or discoloration at temperatures lower than the above guidelines.

Installing the appliance in contravention of the guidance given will be at the liability of the owner.

Before using this appliance ensure that any protective packaging or coatings have been removed.

To aid the protection of the environment, please sort the packing materials into different types and dispose of them in accordance with the local waste disposal laws.

Any further information on waste disposal can be obtained from your local Environment Agency office.

When first used, an odour may be emitted by any residual protective finish or moisture, which will cease after a short period of time.

IMPORTANT NOTE – WARNING and SAFETY INSTRUCTIONS

This appliance complies with all current local safety legislation, however do wish to emphasise that that compliance does not remove the fact that surfaces will become hot during use and retain heat after operation.

Therefore strongly advise that babies and young children are prevented from being near or touching the appliance at any time.

If it is necessary for younger family members to be in the kitchen, please ensure that they are kept under close supervision at all times.

We also advise that great care is taken during use and cleaning operations.

Metallic objects such as knives, forks, spoons and lids should not be placed on the hob surface since they can get hot.

Do make sure that the pan handles are always positioned correctly, to avoid accidental contact.

Do not leave heated oil or fat unattended as there is a risk of fire.

Do use pans that are flat bottomed and the correct size for the heating area to be used (never smaller). Do not allow electrical fittings or cables to be in contact with hot areas of the appliance.

Do not use the appliance for space heating or to dry clothes.

Do not install the appliance next to curtains or soft furnishings.

- This appliance is not intended for use by persons (including children) with reduced physical, sensory or mental capabilities, or lack of experience and knowledge, unless they have been given supervision or instruction concerning use of the appliance by a person responsible for their safety,
- Children should be supervised to ensure that they do not play with the appliance.
- Cleaning and user maintenance shall not be made by children.

WARNING: The appliance and its accessible parts become hot during use. Care should be taken to avoid touching heating elements. Young children should be kept away.

CAUTION: The cooking process has to be supervised. A short term cooking process has to be supervised continuously.

WARNING: Unattended cooking on a hob with fat or oil can be dangerous and may result in fire. NEVER try to extinguish a fire with water, but switch off the appliance and then cover flame **e.g.** with a lid or a fire blanket.

WARNING: Danger of fire: do not store items on the cooking surfaces

WARNING: If the surface is cracked, switch off the appliance to avoid the possibility of electric shock. A steam cleaner is not to be used.

The appliance is not intended to be operated by means of an external timer or separate remote-control system. Means for disconnection must be incorporated in the fixed wiring in accordance with the wiring rules.

NOTE: This appliance must be correctly installed by a suitably qualified person, strictly in accordance with the manufacturer's instructions.

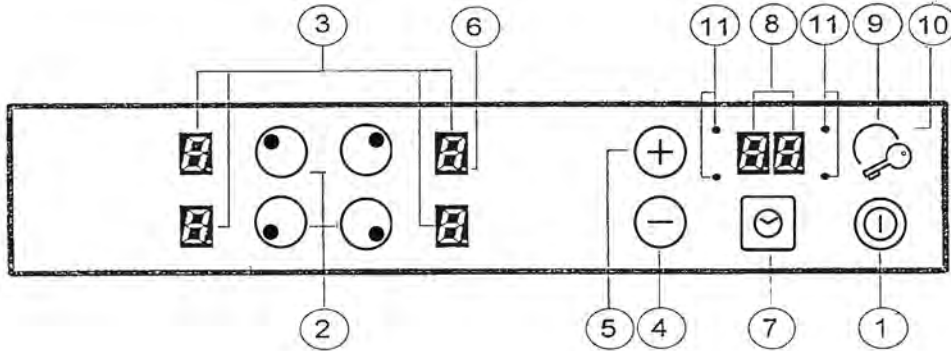
Heat, steam and moisture will be created during use, take care to avoid injury and ensure that the room is adequately ventilated. If prolonged use occurs, additional ventilation may be required – please consult your Qualified Installer if you are in any doubt about the amount required.

If the supply cord is damaged, it must be replaced by the manufacturer, its service agent or similarly qualified persons in order to avoid a hazard.

Do not use harsh abrasive cleaners or sharp metal scrapers to clean the glass, since they can scratch the surface, which may result in shattering of the glass.

INSTRUCTION FOR USE

Control Panel: 4 Powers



1. Power Switch
2. Burner Switch
3. Burner Display
4. Minus
5. Plus
6. Burner Power Setting Indicator. If it is flash, can set power. If no flash, can't set power.
7. Timer
8. Timer Display
9. Children Safety Lock
10. Children Safety Lock Indicator
11. Timer Indicator

Instruction

1. Touch Power Switch, all power setting show "0", and Burner power setting indicator will keep flashing. Need to make further operation in 10S, otherwise it will turn off automatically.
2. Set power through "Plus" and "Minus". First touch plus, power will show "5". First touch minus, power will show "9".

Remark:

1. Can operate one burner in one time.
2. If the burner is working, will show indicator closed to burner.
3. Set power to "0", burner will stop working.

Children Safety Lock

For safety reason, you can lock the control by pressing children safety lock. If power was off before turn off the lock. The lock will keep working when you restart power. Must turn off the lock for further operation.

Stop Working

For safety reason, control panel will stop working if it worked too long because of customer forget to turn off the control.

Power Setting	Max Working Hour
1-2	6
3-4	5
5	4
6-9	1.5

After the control stop working, will show “H” residential heating for 20 minutes.

Auto Heating Mode

1. Set power to “9”, and then press plus, then burner display will show “A” and “9” in turn. Now it is auto heating mode. Then set the power you need, for example, “6”, display will show “A” and “6”, for 2.5 minutes.
2. Auto heating mode will start when display show “A” and “9” the first time. If you set power “6” for 10S, then display will show “A” and “6” for 2 minutes and 20S, and finally show “6” only.
3. Auto heating time

Power	Auto heating time (minutes)
1	1
2	3
3	4.8
4	6.5
5	8.5
6	2.5
7	3.5
8	4.5
9	---

4. Auto heating setting. In this mode, when the heating is working not exceed for 30S, press minus, can reduce power. If more than 30S, press minus, will stop auto heating mode, and turn to regular heat mode. If more than 30S, and display keep flashing “A” and power, can press plus to have more power and still under auto heating mode.

5. When you change power, the pasting time will be calculated into time of auto heating mode of new power. For example, you choose power “1”, work for 30S, then change to power “4”, then auto heating mode time will be 6 minutes only.

Heat Time for Each Power

1 minute for 1 cycle

Power: 1,	Time: Work for 1S, Stop for 59 S
Power: 2,	Time: Work for 3S, Stop for 57 S
Power: 3,	Time: Work for 6S, Stop for 54S
Power: 4,	Time: Work for 10S, Stop for 50 S
Power: 5,	Time: Work for 14S, Stop for 46S
Power: 6	Time: Work for 19S, Stop for 41S
Power: 7,	Time: Work for 26S, Stop for 34S
Power: 8,	Time: Work for 38S, Stop for 22S
Power: 9,	Time: Keep working...

Timer

1. Choose timer, display show "00", press "Plus" to set working time (01 to 99 minutes), press "Minus" to set working time (30 to 0 minutes), will confirm automatically in 10S.
2. Set timer for each burner. Press burner switch to choose the burner, and the burner indicator will flash, set power range, then press "Timer", will show "00", then press "Plus" to set working time (01 to 99 minutes), press "Minus" to set working time (30 to 0 minutes), will confirm automatically in 10S. Burner will stop working if time was up.
Remark: can set new time by pressing "Plus" or "Minus".
3. Turn off timer. When time is up, timer will sound for 2 minutes, and you can turn off sound by touching any button. If you wanted to turn off burner in advance, can set timer to "00".

WARNING

- Do not use commercial simmering aids as these can create excessive heat that can damage the appliance.
- Do not use the glass ceramic surface of the hob as a griddle.
- Do not leave hotplates on without a pan or an empty pan.
- Be aware that hotplates will retain heat whilst cooling down.
- **When cooking foods with high sugar content, ensure that any spillage is removed immediately to avoid damage to the ceramic surface.**

HELPFUL HINTS

- Always use the correct diameter pan, one that is the same or slightly larger than the hotplate.
- The bottom of the pan must be flat.
- Whenever possible keep the lid on the pan when cooking.
- Avoid over-spill of liquid by reducing the heat when boiling has occurred.

CLEANING THE APPLIANCE

Always allow the appliance to cool down before cleaning to avoid a burn injury.

Do not use caustic or abrasive agents, coarse wire wool or hard tools as these can damage the surface finish.

Normally, wiping with a soft cloth dampened with hot detergent and drying with a soft cloth is sufficient but for stubborn marks the following is recommended:

Vitreous Enamel or Stainless Steel parts – use only a cleaner that is recommended for these types of material – avoid chloride based products (such as bleach).

Glass Ceramic surfaces – if any spillage becomes burnt on, remove with a ceramic glass cleaner or scraper and clean with a cleaner-conditioner containing silicone.

Do not allow the ceramic glass surface to become scratched or damaged as this could lead to a hazard.

INSTRUCTIONS FOR INSTALLATION

This appliance must be installed by a competent person in accordance with local regulations.

POSITIONING THE APPLIANCE

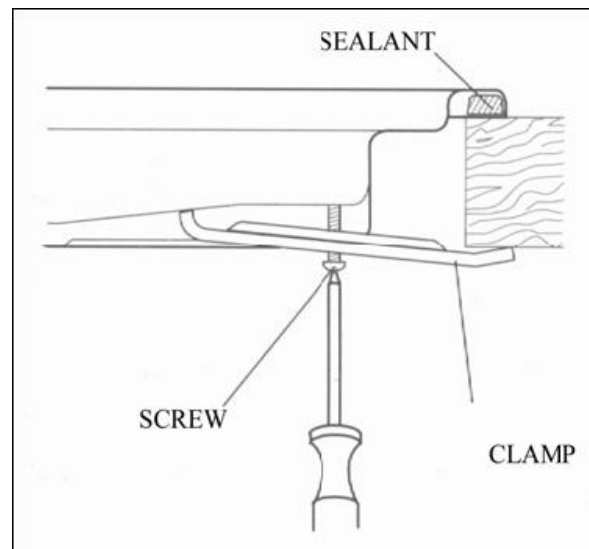
A kitchen unit (depending on size) or 600mm worktop, providing the following minimum distance is allowed:

- 650mm between the top surface and the underside of any horizontal surface above
- 50mm clearance around the appliance and any combustible materials
- The surface of any adjacent unit must be capable of withstanding a minimum temperature rise of 85°C.

INSTALLATION NOTES

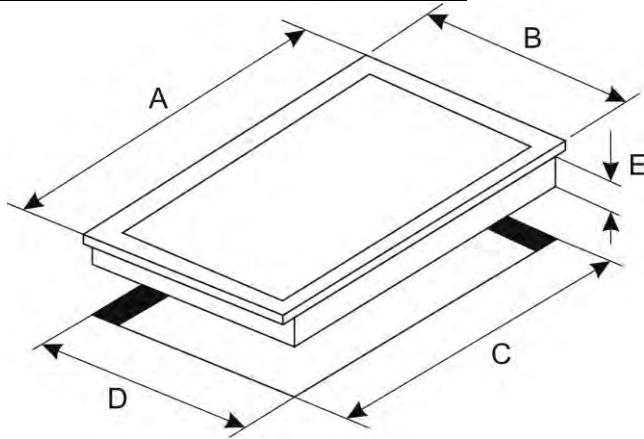
- 1 Cut the aperture to the dimensions shown in the table below or use the template provided on the packaging.
- 2 Invert the hob and apply the sealing agent provided to match the outer perimeter edge.
- 3 If the sealing agent is a strip type, the protective covering must be removed from both sides.
Do not leave a gap in the sealing agent or overlap the thickness.
NOTE: do not use any Silicone based sealant, as this can damage the worktop surface if repairs are required.
- 4 Insert the appliance into the aperture and fix into position via the clamps & screws, tightening the screws evenly (**see Fig.3**).

Fig.3



HOB APERTURE DIMENSIONS

MODEL	A	B	C	D	E
ECT60CR	580	510	560	490	53



ELECTRICAL CONNECTION

- This appliance must be installed by a competent person. Before connecting the appliance, make sure that the supply voltage marked on the rating Plate corresponds with the mains supply voltage.

WARNING – THIS APPLIANCE MUST BE EARTHED

Depending on the Power Input of the model to be installed, connection will require a 16 amp or 30 amp protected supply using a switched double pole isolating unit having a minimum 3mm contact separation (see Technical Data at page 11 for full information). Care must be taken to avoid the cable being in contact with hot parts of the appliance. The isolating unit should be placed in an easily accessible position adjacent to the appliance.

NOTE

The appliance must be connected to the mains supply by means of not less than a 15A plug and socket.

DISPOSAL: Do not dispose this product as unsorted municipal waste. Collection of such waste separately for special treatment is necessary.



This marking indicates that this product should not be disposed with other household wastes throughout the EU. To prevent possible harm to the environment or human health from uncontrolled waste disposal, recycle it responsibly to promote the sustainable reuse of material resources. To return your used device, please use the return and collection systems or contact the retailer where the product was purchased. They can take this product for environmental safe recycling.

Technical data

MODEL	Rated Voltage	Max Rated Inputs
ECT60CR	220-240 VAC 50-60HZ	6500W



Pronto Service + Support: 1800 440 335
Email: service@eurostylegroup.com.au

HEAD OFFICE

65 Glynburn Road, Glynde SA 5070
Ph: 08 8165 1012

www.euroappliances.com.au