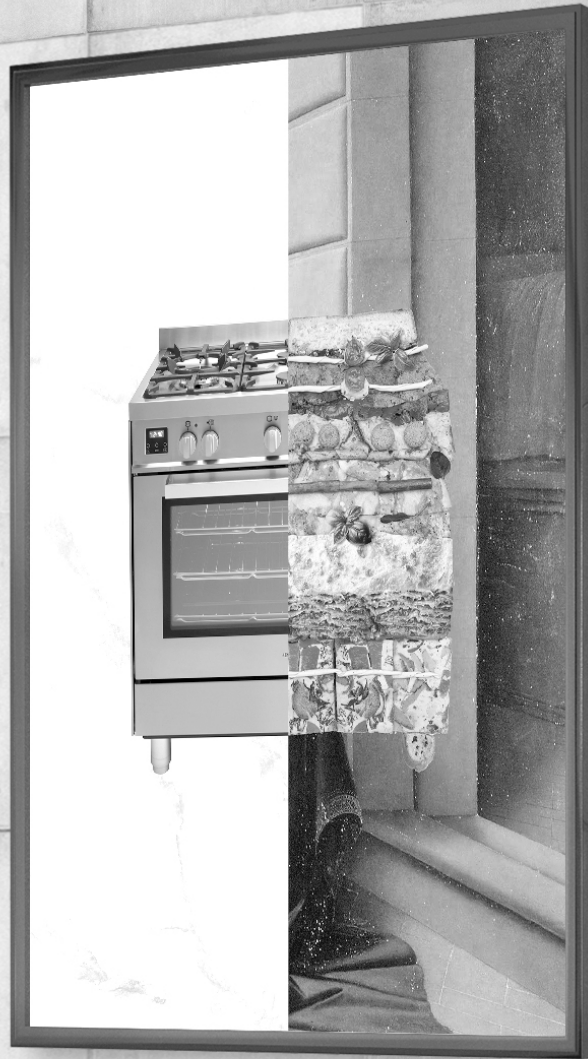




cooking

USAGE AND
CARE GUIDE

PRODUCT CODE:
EV600DFSX



Thank you for choosing us! Please read all instructions before using this appliance. This book contains valuable information about operation, care and service. Keep it in a safe place for future reference. Should the appliance be sold or transferred to another owner, or should you move house and leave the appliance, always ensure that the book is supplied with the appliance so that the new owner can be acquainted with the functioning of the appliance and relevant warnings. Important

Safety Warning

THESE WARNINGS ARE PROVIDED IN THE INTEREST OF SAFETY, PLEASE READ THEM CAREFULLY BEFORE INSTALLING OR USING THE APPLIANCE

- To maintain the EFFICIENCY and SAFETY of this appliance, we commend:
 - Call the Service Centers authorized by the store where you buy the cooker.
 - Always use original Spare Parts
1. This appliance is intended for non-professional use within the home.
 2. Before using the appliance, read the instructions in this owner's manual carefully, since you should find all the instructions you require to ensure safe installation, use and maintenance. Always keep this owner's manual close to hand since you may need to refer to it in the future.
 3. After removing the packaging, check that the appliance is not damaged. If you have any doubt, do not use the appliance. Contact your nearest Service Centre of the store where you buy the appliance. Never leave the packaging components plastic bags , foamed polystyrene, nails, etc.) within the reach of children since they are a source of potential danger.
 4. The appliance must be installed only by a qualified person in compliance with the instructions provided. The manufacturer declines all responsibility for improper installation which may harm persons and animals and damage property.
 5. This appliance is not intended for use by persons (including children) with reduced physical, sensory or mental capabilities, or lack of experience and knowledge, unless they have been given supervision or instruction concerning use of the appliance by a person responsible for their safety. Children should be supervised to ensure that they do not play with the appliance.
 6. The electrical safety of this appliance can only be guaranteed if the cooker is correctly and efficiently earthed, in compliance with current regulations on electrical safety. Always ensure that the earthing is efficient if you have any doubts call in a qualified electrician to check the system. The manufacturer declines all responsibility for damage resulting from a system which has not been earthed.

7. Check that the electrical capacity of the system and sockets will support the maximum power of the hob, as indicated on the rating label. If you have any doubts call in a qualified technician

8. When the cooker is first used an odor may be emitted, this will cease after a period of use. When first using the cooker ensure that the room is well ventilated e.g., open a window or use an extractor fan and that persons who may be sensitive to the odor avoid any fumes. It is suggested that any pets be removed from the room until the smell has ceased. This odor is due to temporary finish on oven liners and element sandal so any moisture absorbed by the insulation.

9. Ensure that the appliance is switched off before maintenance by switching off the main switches and turning all knobs to OFF position.

10. The openings and slots used for ventilation and dispersion of heat on the rear and below the control panel must never be covered.

11. The user must not replace the supply cable of this appliance. Always call an after-sales servicing Centre authorized by the seller in the case of cable damage or replacement.

12. This appliance must be used for the purpose for which it was expressly designed. Any other use is considered to be improper and consequently dangerous. The manufacturer declines all responsibility for damage resulting from improper and irresponsible use.

13. A number of fundamental rules must be followed when using electrical appliances. The following are of particular importance do not touch the appliance you're your hands or feet are wet do not use the appliance bare footed. Never allow the Mains Cable to be stretched, pulled or damaged if the Cooker is moved for cleaning etc. Do not use the cooker if the Mains Cable is damaged, consult a qualified electrician. Do not allow the cooker to be used unsupervised by children or persons unfamiliar with it.

14. Always switch off the electrical supply to the cooker and allow it to cool down before carrying out any cleaning operations etc.

15. Danger of fire: do not store items on the cooker surfaces.

16. To avoid accidental spillage do not use cookware with uneven or deformed bottoms on the burners or on the electric plates.

17. Special care should be taken when using chip pans etc. in order to avoid splashing or spillage of hot oil. They should not be used unattended since over heated oil may boil over and could also ignite.

18. Parts of this appliance, cooking surfaces, retain heat for considerable periods after switching off. Care should, therefore, be taken when touching these areas before they have completely cooled down.

19. Never use flammable liquids such as alcohol or gasoline, etc. near the appliance when it is in use.

20. When using small electrical appliances near the hob, keep the supply cord away from the hot parts.

If the supply cord is damaged, it must be replaced by the manufacturer, its service agent or similarly qualified persons in order to avoid a hazard.

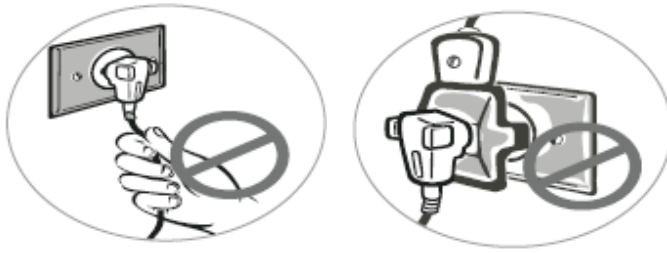
WARNING: Accessible parts may become hot during use. Young children should be kept away

21. Make sure the knobs are in its "OFF" position when the appliance is not in use. Also make all potentially dangerous parts of the appliance, safe, above all for children who could play with the appliance.
22. When the appliance is in use the heating elements and some parts of the oven door become extremely hot. Make sure you don't touch them and keep children well away.
23. If you use the power cable for single phase, the minimum cross-sectional area is 10mm². For three phases the minimum cross sectional area is 2.5 mm²
24. You must grill with closed door.
25. DO NOT USE OR STORE FLAMMABLE MATERIALS IN THE APPLIANCE STORAGE DRAWER OR NEAR THIS APPLIANCE. DO NOT SPRAY AEROSOLS IN THE VICINITY OF THIS APPLIANCE WHILE IT IS IN OPERATION.
26. DO NOT PLACE ARTICLES ON OR AGAINST THIS APPLIANCE.
27. DO NOT MODIFY THIS APPLIANCE.
28. DO NOT USE THIS APPLIANCE AS A SPACE HEATER.
29. Gas installation must be made in accordance with AS/NZS 5601. Also refer to rangehood manufacturers recommendation.
30. Special conditions which shall be avoided, e.g. marine environment, and any conditions necessary to ensure optimum performance.
31. Where necessary, a safe purge before the appliance is re-lit.

Safety

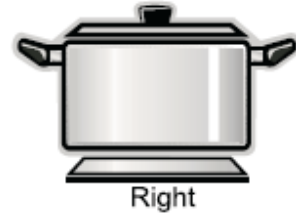
For the user and installer

1. Disconnect the range before cleaning or doing maintenance.
2. Never unplug the range by pulling on the power cord. Do not manipulate your gas range plug. Do not bite, twist or tie the power cord.
3. It is dangerous to modify your gas range specifications and characteristics.
Do not install your gas range on top of the power cord.
4. Connect the range to its own outlet. Do not use an extension cord or adaptor plug. To avoid any accident, before replacing the light lamp, turn off the cook top burners

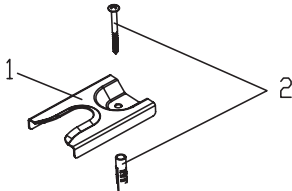


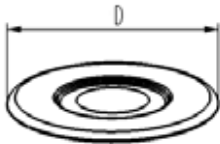
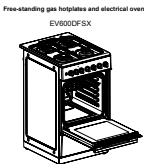
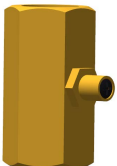


Care with food and cookware

1. To handle or remove food, please use the cooking gloves.
2. Never leave clothes or flammable materials near the burner when the range is in use. When using frying oil or butter additional care must be taken since these products are flammable.
3. Do not use the oven to store utensils, especially those containing residues or large quantities of oil or fat.
4. Containers with curved bases or salient edges must not be used since they can be easily destabilized when moved.
5. The handle of the utensil should be positioned so that it is turned inward.



Installation accessories

Accessory Name	Image (for reference only, physical unit maybe different)	Quantity	Application	
Anti-tilt Bracket		1	To prevent tipping of the cooker.	
Washer Gas-type fitting (G1-2 R1/2 Φ 21.0 mm)		1 1	Provided with pressure regulator.	
Natural gas regulator (Rp 1/2 NG 1.0kPa)		1	Pressure regulator for natural gas.	
Burner caps		D=134.4mm	1	1# Outer burner cap
		D=65.7mm	1	1# Inner burner cap
		D=100mm	1	2# Burner cap
		D=75mm	2	3# Burner cap
		D=55mm	1	4# Burner cap
Installation & Operation Instructions		1	User Manual	
Pressure test connector (For ULPG)		1	Test gas pressure	

Installing instruction

Before installing

Read the following information about the appliance and the guidelines for ventilation.

Appliance Unpacking

Check the condition of the appliance after unpacking it. Do not connect the appliance if it has been damaged in transport. Dispose of packaging in an environmentally-friendly manner.

Guideline for ventilation

This appliance may only be set up in a sufficiently ventilated room and according to the applicable regulations and ventilation requirements. Ventilation must be in accordance with AS/NZS 5601 - Gas Installations.

Be sure that there is a good air flow, keeping natural air ventilation through a window or door by installing a range hood to extract the air. If ventilation is not good, this might cause lack of oxygen, which is dangerous for your health and the gas performance. If the gas range will be working for a long period of time, a extra ventilation will be necessary to increase the air flow.

Do not install in a bed-sitting room, a bathroom or shower room. If there is another fuel burning appliance in the same room, a higher level of ventilation will be required.

In addition to the above, during prolonged use, opening a window in the same room is recommended. This will avoid the build up of excessive moisture and condensation.



Installation

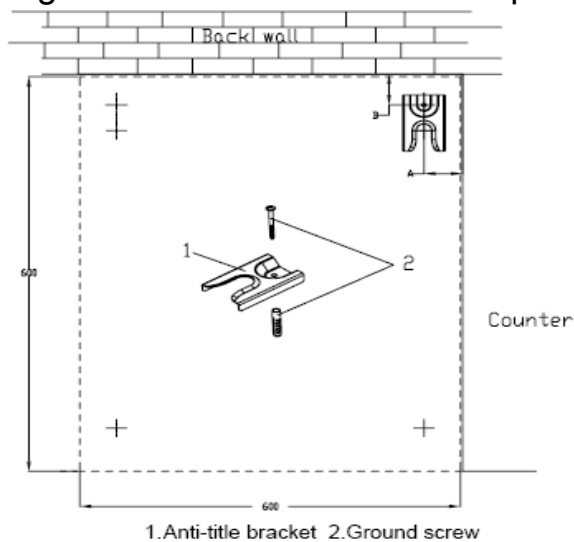
This appliance is always supplied with a set of adjustable feet and, depending on the model, with a splash guard. The appliance may also be used without the splash guard.

Fitting the adjustable feet Before hand:

- Remove all parts that are not permanently fixed, especially the pan supports and burners.
- Remove the accessories from the oven. Proceed as follows:
- Tilt the appliance by raising one side slightly from the floor.
- With the plates in position, screw the adjustable feet into the mounting holes on the underneath of the appliance.
- Repeat the process on the other side. You can make the final adjustments to the feet in order to level the appliance once the gas and electricity supply have been connected. If it is necessary to pull the appliance, screw the adjustable feet in fully. Make the final settings only when the other installation tasks have been completed.



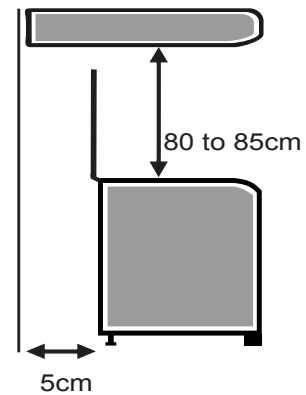
In order to prevent tipping of the appliance, this stabilizing means must be installed. Using ground screw 2 to mount the anti-title bracket 1 on the ground showed as the below picture .



Product Model	Height(mm)	A(mm)	B(mm)
20	850	50	50

Gas appliance installation

- 1> Leave at least 80 to 85cm between the top of the gas appliance and any cabinet or appliance hood install above prepared to be installed built in.
- 2>Leave at least 5cm in the back and 2cm each side of the gas appliance to allow the heat to get out.
- 3>When installing the oven, be sure not to block the oven exhaust port.
- 4>After installation, please paste the rating label on visible location or nearby.



Electrical connection

Only a licensed expert may connect the appliance. The appliance must be installed according to the most recent IEE regulations (Institute of Electrical Engineers). The appliance could become damaged if incorrectly connected. Make sure the voltage of the power supply corresponds to the specified value on the rating plate. The rating plate can be found on the inside of the storage compartment flap. Ensure that the power supply is properly earthed and that the fuse and the wiring and piping system in the building can withstand the load from the appliance. It is recommended that you configure the circuit for the appliance to 16 A. When you route the mains cable, make sure that:

- the cable is not trapped or squashed.
- the cable does not come into contact with sharp edges or cutting edges.
- the cable does not come into contact with parts that can reach temperatures of more than 50 °C above room temperature.

Connecting the mains cable

Where the appliance is directly connected to the power supply, an all-pole isolating switch with a contact gap is required. Complete disconnection in compliance with the conditions specified in overvoltage category III must be guaranteed. The earth cable is excluded from this.

Gas connection

The appliance must be connected in accordance with the currently applicable regulations. Before installing the appliance, check that the local conditions (type of gas and pressure) are compatible with the appliance settings. The permissible appliance settings can be found on the rating plate. Connection to the gas lines and seal fitting must be carried out professionally according to the currently applicable standards.

Gas connection on the appliance

The gas connection is located at the rear left of the appliance.

Connecting pieces



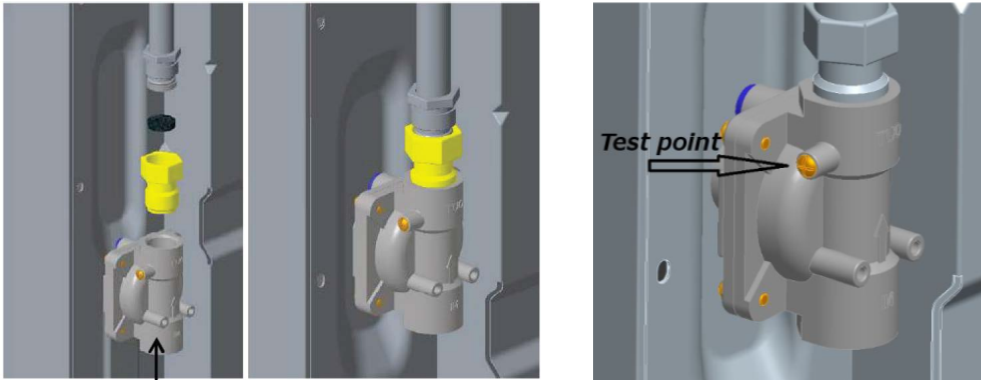
NG corrugated tube union (and seal)

- An inlet manifold extension pipe must be fitted to the appliance.
- Ensure that the pipe is connected using the washer provided and that the bracket is screwed to the appliance as shown in the diagram below.
- Fit the supplied pressure regulator (for Natural gas) using the NG test point adaptor and washer to the inlet manifold. Ensure the arrow is pointing towards the appliance and that pressure testpoint is accessible from the final position.
- Push the cooker back and install the anti-tilt bracket.
- Connect the appliance to the consumer piping outlet using only fixed piping.

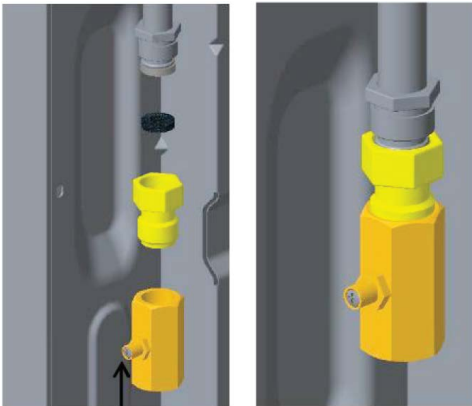
This final connection is made when the product is pushed back into position by access under the cooker.

- 4 burner models: set the burner pressure to 2.75kPa for ULPG, set the burner pressure to 1kPa for Natural Gas. For commissioning of the appliance with the regulator for Natural Gas, the test point pressure should be 1.00kPa with all burners operating on HIGH.
- Apply a manometer to the test nipple and reset the regulator if necessary. Do not forget to replace the test nipple screw and to leave the instruction book with the user.

Test point for Natural gas



Test point for ULPG gas



WARNING:

This appliance has to be installed as per AS/NZS 5601 and if a hose connectino is made, hose assembly must:

- 1) Be certified as conforming with AS/NZS 1869, and be Class B or Class D.
- 2) Diameter 10mm (minimun).
- 3) Length 1000mm (maximum).

WARNING:

Ensure hose assembly is restrained from accidental contact with the flue outlet of an under bench oven.

The hose assembly should be kept clear of the floor when the appliance is in the installed position.

Safety valve

The installation of a safety valve for opening and closing the gas supply is a compulsory requirement. Fit the safety valve between the gas connecting line to the appropriate room and the hob. Ensure unhindered access to this valve.

Checking for leaks

After connecting the gas line, check the connections for leaks using soapy water.

Initial use

Switch the appliance on as described in the instruction manual. Light all the burners and check that the flames remain stable at both the high and low settings.

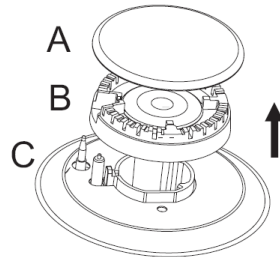
Converting the gas type

If the appliance is not already set up for the existing type of gas, the appliance must be converted. The conversion to a different type of gas must be carried out by an authorised expert in accordance with the applicable regulations.

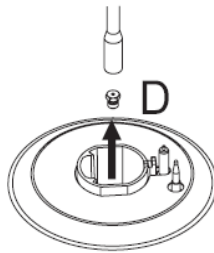
In order to convert to a different type of gas, the nozzles must be replaced and the low flame and primary air may have to be adjusted.

Replacing the nozzles (Hotplate burners)

1. Remove the burner caps (A) and burner (B) from the burners (C) .



2. Remove the nozzle (D) and replace it with an appropriate nozzle for the new type of gas.

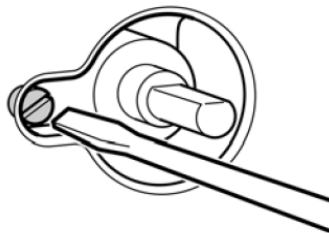


3. Replace the gas label with the new gas label that was supplied with the nozzle set.
4. Place each burner cup(B) on the burner(C).

Setting the minimum flow

1. Switch on the gas burner.
2. Turn the control knob for the gas burner towards the small flame setting
3. Remove the control knob for the gas burner.
4. Adjust the internal setting screw until as table flame is burning correctly. Loosen the adjuster screw to increase the gas flow or tighten it to decrease the gas flow.

Check that the flame does not go out when the gas flow is quickly changed between maximum and minimum, and vice versa. The setting is correct when the height of the small flame is approx. 3 to 4mm.



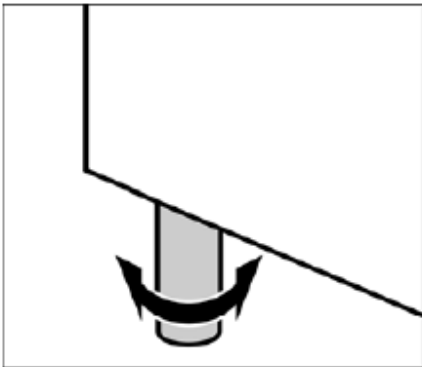
Positioning and leveling

Positioning the appliance

When installing the appliance, make sure that there is enough space in the final installation location to pull the appliance forwards for cleaning and maintenance work. The ground underneath must be hard and stable. The wall immediately behind the appliance must be made from non-flammable material, e.g. tiles. If you need to pull the appliance in order to position it, make sure that the adjustable feet are screwed in fully.

Levelling the appliance

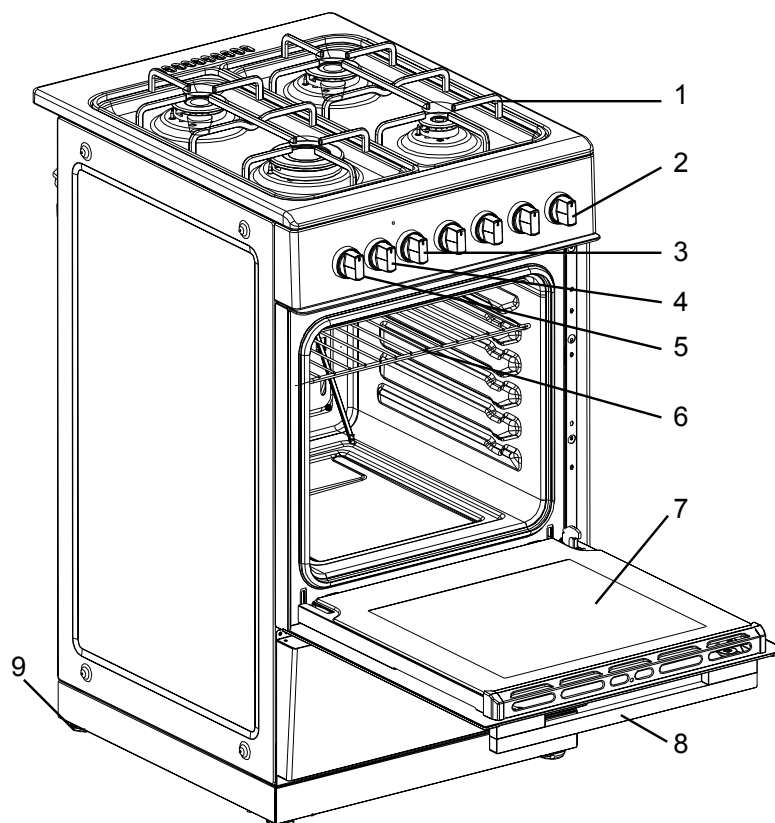
Level the appliance once all other work has been completed. To do this, turn the adjustable feet.



Using instruction

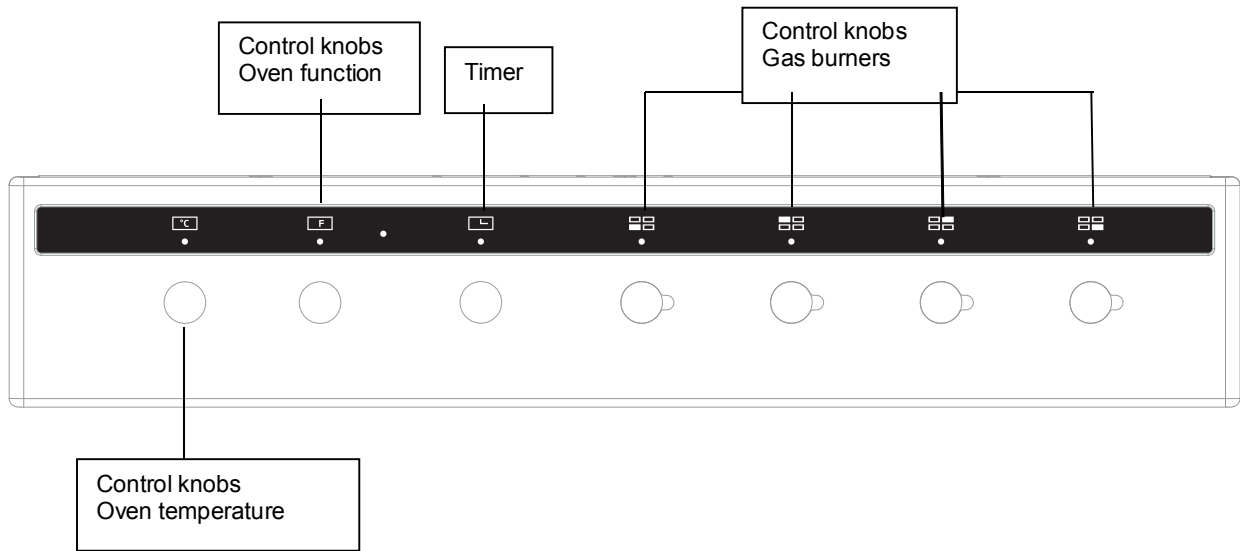
Your new appliance

Get to know your appliance. You will find information about the control panel and hob, as well as the oven, types of heating and accessories.

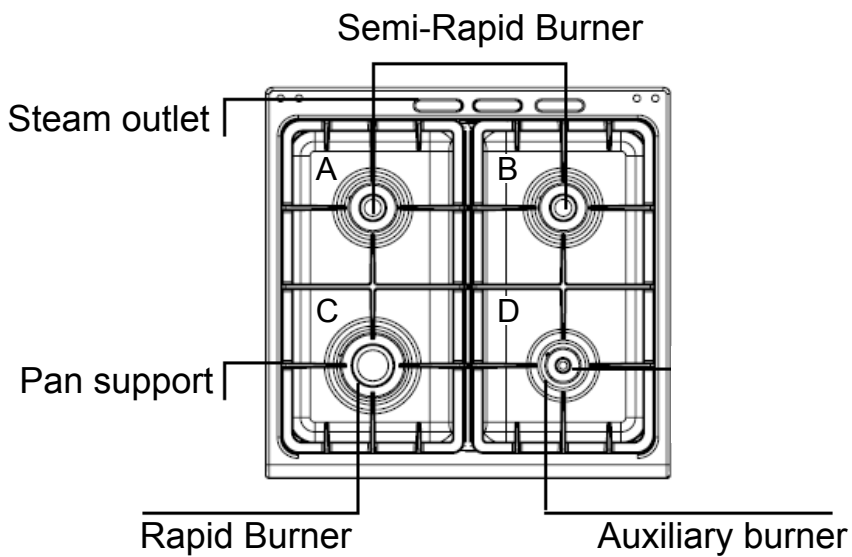


1. Pot rack
2. Burners knobs
3. Timer knob
4. Function knob
5. Temperature knob
6. Baking rack
7. Oven door
8. Door handle
9. Base

The control panel



The hob



Control knobs for gas burners


Adjust the heat setting of the gas burners using the control knobs. The symbol above the control knob shows you to which gas burner the control knob belongs.



Operating gas burners

Make sure that the burner lid always sits exactly on top of the burner cup. The slots on the burner cup must be open. All parts must be dry.

Switching on the gas burner

1. Press the control knob for the required burner and turn it to position . The gas burner ignites. Keep the control knob pressed for a few seconds until the flame stabilises. And push the ignition button at the same time (for some models are auto-ignition).

2. Adjust the burner to the desired flame setting.

 **lowest flame setting**

 **highest flame setting**

*Shut down where incorrect procedures can result in a hazardous condition.

Function button for ignition



Ignition can be manual or auto.

Steam outlet

Risk of burns.










Hot air from the oven escapes out of the steam outlet on the hob. Never touch the steam outlet. Please note that, in the case of appliances with a hob cover, the burners in the oven may also only be switched on if the hob cover is open.

Control knob for oven

Use this control knob to the function



● Off

Symbol	Power	Function
	25	The lamp work
	58	The lamp and circulation motor work
	2600	The top heating element ,grill heating element, circulation motor ,lamp and rotary motor work
	2580	The top heating element ,grill heating element, circulation motor ,lamp work
	1629	The grill heating element, lamp and rotary motor work
	2108	The top heating element, bottom heating element ,lamp and circulation motor work
	2075	The top heating element, bottom heating element and lamp work
	1125	The bottom heating element and lamp work
	2058	The turbo heating element, lamp and circulation motor work

And then, use this control knob to the temperature



- OFF
- Baking Oven electric on, the minimum temperature
- 50 – 200 Oven electric on, temperature
- Broil Oven electric on, the maximum temperature

**There is a limit stop between settings 250 and 0.
Do not turn the knob beyond this point.**

Operate your oven

Please note that, in the case of appliances with a hob cover, the burners in the oven may only be switched on if the hob cover is open.

Switching on the oven lighting

Press down the function button for the oven lighting until it locks into place. The oven lighting switches on.

Switching off the oven lighting

Press down the function button for the oven lighting until it releases. The oven lighting switches off.

The minute minder

The minute minder is a countdown timer which emits an audible signal when the cooking time has elapsed. The minute minder runs independently of the oven.

Control knob for minute minder



● Off
● 20 - 120 Cooking time in minutes

Setting a cooking time

Turn the control knob once round clockwise, as far as the limit stop, and then turn it anti-clockwise to set it to the required time.

The cooking time has elapsed

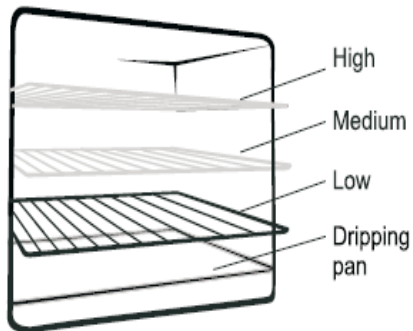
A signal sounds once the time has elapsed.



Oven Control

The oven temperature setting knob can only be rotated clockwise from the OFF position. Turn oven function control knob to select the cooking function, meanwhile turn the timer (for the model with timer) to set the cooking time you want. Then turn oven temperature control clockwise to the required oven temperature. The red oven temperature pilot light will immediately illuminate and will automatically go off when oven temperature reaches the temperature setting.

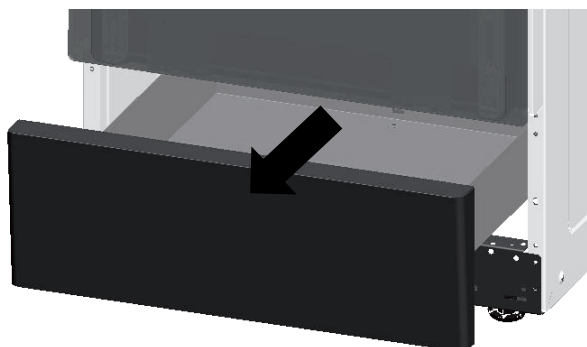
Accessories

The accessories can be inserted in the oven in 5 different shelf positions. You can pull the accessories two-thirds of the way out without them tipping. This allows meals to be removed easily. You can buy accessories from the after-sales service or from specialist retailers.



Accessory	Description
	Baking and roasting shelf For ovenware, cake tins, roasts, grilling and frozen meals.
	Enamelled baking tray For moist cakes, pastries, frozen meals and large roasts. Can also be inserted underneath the wire rack or rotary spit and used as a drip tray to collect fat.

The storage compartment (for some models)



Open the storage compartment by folding down the fascia panel. This compartment can be used to store food or other things.

Risk of fire.

Never leave combustible items in the storage compartment.

Before using for the first time

Please read the following instructions before using your appliance for the first time. Remove the appliance packaging and dispose of this appropriately.

Cooking compartment initial cleaning

Remove the accessories from the cooking compartment. Completely remove any leftover packaging, e.g. small pieces of polystyrene, from the cooking compartment. Some parts are covered with a protective film. Remove this film.

1. Clean the outside of the appliance with a soft, damp cloth.
2. If the hook-in racks have already been fitted, unhook and remove them. For information on removing the racks, see the section "Removing and refitting hook-in racks."
3. Clean the cooking compartment with warm soapy water.

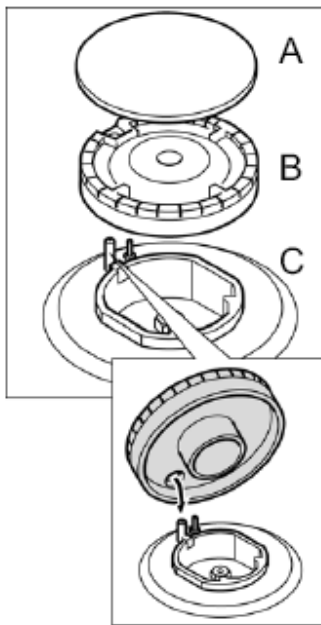
Rinsing cooking compartment after initial cleaning

Clean the cooking compartment with hot soapy water. Refit the hook-in racks.

Cleaning the burner lids and cups

Proceed as follows:

1. Clean the burner lids (A) and cups (B) with water and washing-up liquid.
2. Dry the parts off well.
3. Place the burner sprayer (B) on the burner (C).
4. Place the burner lid (A) exactly on top of the burner cup (B).



Cleaning accessories

Before using the accessories, clean them thoroughly using a cloth and warm soapy water.

Cleaning the interior glass of the oven

The interior glass of the oven door can be removed: with the door in the semi-open position, use both hands to remove the glass. After cleaning, refit the glass in reverse order.

Note: In some models, the glass is screen printed. In this case, when refitting the glass make sure the screen printed part is legible when the oven door is opened.

Warning

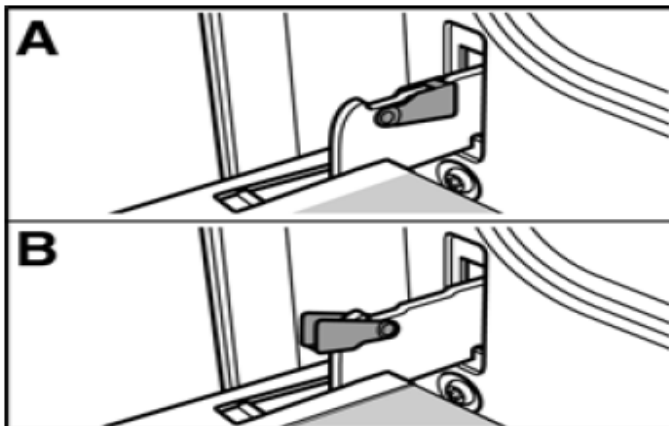
Never use high-pressure cleaners or steam jets.

Risk of short circuit.

Never use caustic or abrasive cleaning agents. These could damage the surface. If such an agent gets on the front of the appliance, wipe it off immediately with water. Do not clean any surfaces of the appliance while they are hot.

Removing and fitting the appliance door

You can remove the appliance door for easier cleaning. The hinges of the appliance door are each secured by a locking lever. When the locking lever is folded in (A), the appliance door is secured. It cannot be unhinged. If the locking lever is open (B), only the hinge is secured, and you can remove the appliance door.



Risk of injury.

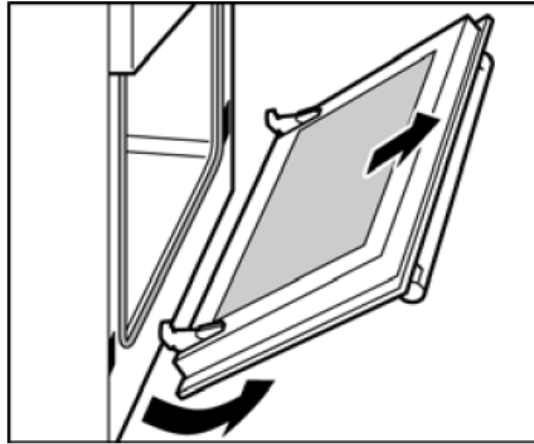
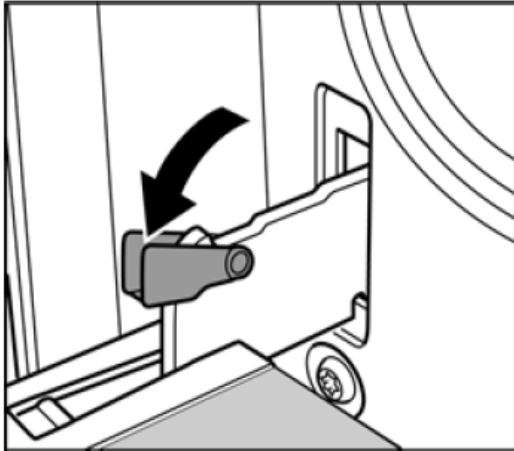
Do not reach inside the hinge.

Removing the appliance door

Proceed as follows:

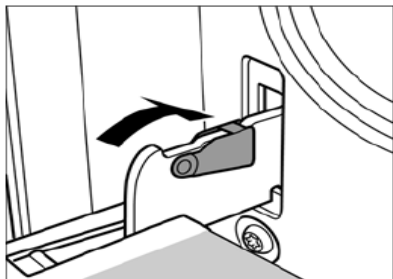
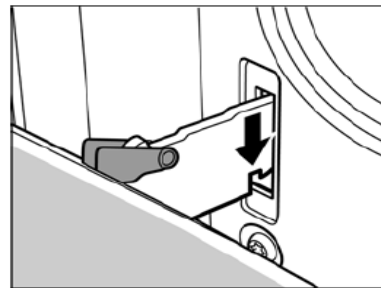
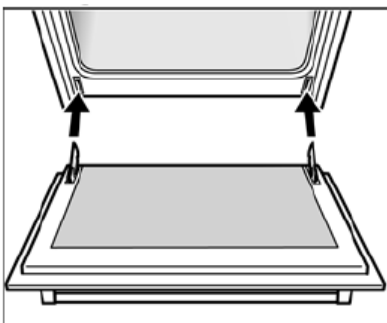
1. Open the appliance door.

2. Lift up the locking levers on both sides.
 3. Close the appliance door until you feel resistance at an angle of around 15° (in relation to the closed appliance door).
 4. Grip the door on either side with both hands.
 5. Close the appliance door a little further.
 6. Lift the door upwards and at an angle to remove it.
- Do not disassemble the door.



Fitting the appliance door

1. Hold the appliance door at an angle.
2. Insert both hinges, left and right, into the supports.
3. Position the door so that the hinge grooves engage on both sides.
4. Open the appliance door.
5. Fold in the locking levers on both sides.
6. Close the appliance door.



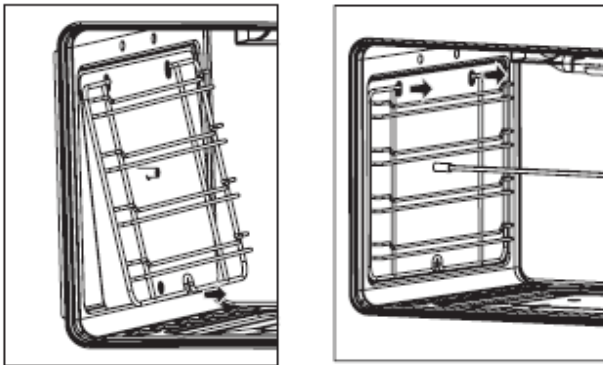
Removing and inserting the hook-in racks

You can remove the hook-in racks in order to clean them separately. The hook-in racks are all fixed to the walls of the cooking compartment at four points.

Removing the hook-in racks

To remove the hook-in racks, proceed as follows:

1. Undo the screw on the bottom the hook-in rack. The lower hooks of the hook-in rack are released.
2. Take hold of the top of the hook-in rack and screw on the screw on the bottom the hook-in rack again.

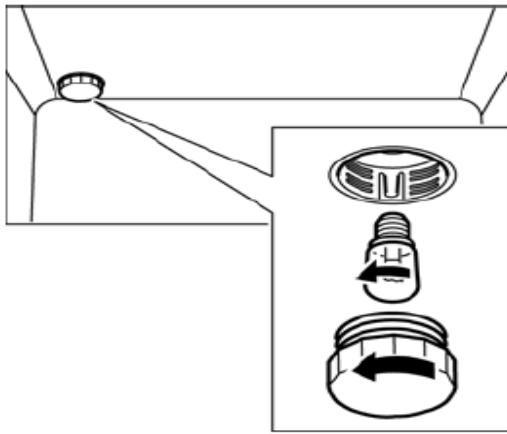


Replacing the oven light bulb

If the oven light bulb fails, it must be replaced. Replacement heat-resistant bulbs can be obtained from the after-sales service or from specialist retailers. Please specify the SN number of your appliance. Do not use any other type of bulb.

Proceed as follows:

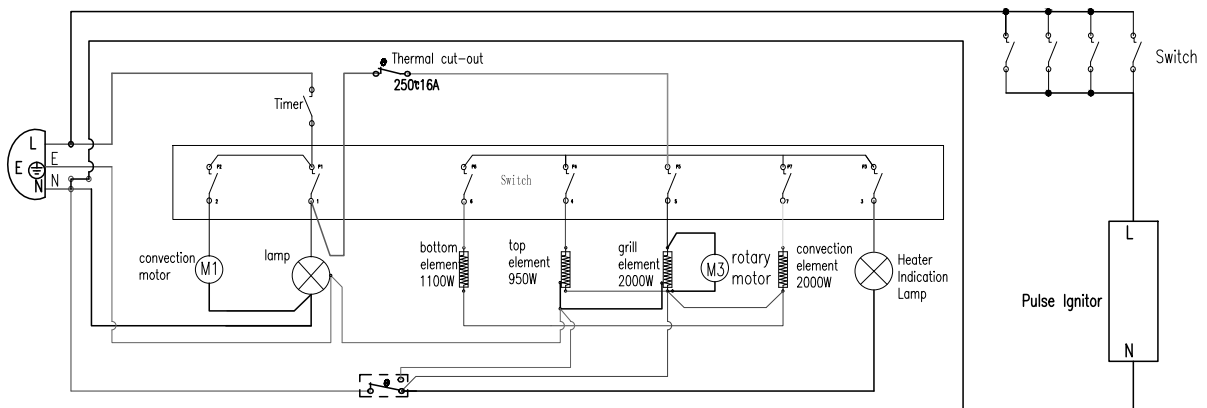
1. Switch off the relevant circuit breaker.
2. Open the appliance door.
3. Lay a tea towel in the cooking compartment if it is cold to prevent damage.
4. Unscrew the glass cover from the bulb inside the cooking compartment by turning it anti-clockwise.
5. Replace the bulb with one of the same type.
Voltage: 230 V Power: 25 W Thread: E14
Temperature resistance: 300°C



CAUTION:
Glass lids may shatter when heated.
Turn off all the burners before shutting the lid.



6. Screw on the glass cover again.
7. Remove the tea towel and switch the circuit breaker back on. Press the function button the oven lighting until it locks into place in order to check whether the oven lighting is working properly.



Aftersales service

Our after-sales service is there for you if your appliance needs to be repaired. You will find the address and telephone number of your nearest after-sales service centre in the phone book. The after-sales service centres listed will also be happy to give you the details of an after-sales service point near you.

Technical data

PRODUCT	GAS/ELECTRIC COOKER		
MODEL NO.	EV600DFSX		
VOLTAGE/FREQUENCY	220-240V,50/60Hz		
ELECTRIC POWER	3.0kW		
TYPES OF GAS	Natural Gas		
GAS PRESSURE	1.0 kPa		
TOTAL HEAT INPUT	29.2MJ/h 772l/h (hotplate burners)		
INJECTOR SIZE	A:1.2mm 7.1MJ/h	B: 1.2mm 7.1MJ/h	
	C: 1.5mm 11.0MJ/h	D: 0.9mm 4.0MJ/h	

<Destination country warning >

These instructions are only valid if the country symbol appears on the appliance. If the symbol does not appear on the appliance, it is necessary to refer to the technical instructions which will provide the necessary instructions concerning modification of the appliance to the conditions of use of the country

Container table (use flat-bottom saucepans)

Bumer	Φ min Saucepan(mm)	Φ Max Saucepan(mm)
A	120	200
B	120	200
C	200	230
D	80	160

Problem solver

Any of the following are considered to be abnormal operation and may require servicing:

Yellow tipping of the hob burner flame.

Sooting up of cooking utensils.

Burners not igniting properly.

Burners failing to remain alight.

Burners extinguished by oven door.

Gas valves, which are difficult to turn.

Your Installer should be contacted if you have any problems with the installation.

Before you call a service engineer please check if the problem is something you could fix yourself. The cause of the problem is often a simple one.

THINGS TO TRY BEFORE CALLING FOR SERVICE

Burner does not burn well

Is the burner dirty or damp? Try cleaning and/or drying the burner. Appliance not suitable for your gas type? Check the identification plate on the hotplate base.

Burner does not ignite

Do the burners spark when you press the ignition button? If not is the power on? See 'Checking the power supply' section further on. If the power supply is OK then there is probably something wrong with the ignition system.

Are the electrode or burner slots blocked by debris?

Is the burner dirty or damp? Try cleaning and/or drying the burner.

Is the burner trim correctly located?

Are the burner caps correctly located?

Check that there is not a problem with your gas supply. You can do this by making sure that other gas appliances you may have are working.

Pan supports

Aluminium pans may cause a metallic marking on the pan supports which does not affect the durability of the enamel and may be cleaned off with a metal cleaner such as 'Brasso'.

Checking the power supply

First check if the main house fuse or circuit breaker has activated. If it's OK, test the power socket with another appliance. If the other appliance works, then unplug the cooker and contact the service agent.

Power Failure

In the event of a failure in the electrical supply the hotplate burners may be lit using a match.

Ventilation

The use of a gas cooking appliance results in the production of heat and moisture in the room in which it is installed. Ensure that the kitchen is well ventilated: keep natural ventilation holes open or install a mechanical ventilation device, (mechanical extractor hood).

Prolonged intensive use of the appliance may call for additional ventilation, for example opening a window, or more effective ventilation, for example increasing the level of mechanical ventilation where present. For more detail see the Installation Instructions.

OVEN DOES NOT WORK AT ALL

First, when the oven is equipped with timer, check appliance is not programmed to turn on later. If it is, turn to manual setting (i.e. hand symbol). If the button or scale on the timer remains in the automatic position after use, the power supply to the oven will be interrupted. Also, check your appliance is switched on at the mains. Next check for an unexpected power strike by switching on adjacent lights etc. Finally, check fuses and plug wiring. If all these prove satisfactory, call for service.

LIGHT BULB DOESN'T COME ON

Check bulb for looseness or burnt out bulb.

Note: bulb replacement is not covered by your guarantee.

SMOKE COMING FROM OVEN

If oven is still relatively new, this problem is invariably due to protective oil on elements. Otherwise, the answer may be oil or fat which has become deposited on the elements during cooking. In either event, continued use should burn away the residues. On future occasions, try to shield food with foil or keep it further away from element, particularly when grilling.

CLOCKTIMER DOES NOT WORK

Check the cord is plugged into outlet completely.

Check for a blown fuse or tripped circuit breaker.

Check for power outage.

Check step by step operating Instructions on previous pages.

If, after checking through this section, you cannot resolve your problem please call the number on the warranty page in this manual for service and spare parts.

When ordering please quote the appliance name, the colour variant and serial number.

This information can be found on the data plate sealed inside the front appliance drawer.

Maintenance schedule:

To ensure the appliance continues to operate at peak performance, we recommend a routine service call years for the life of the appliance.

FOR SPARE PARTS OR TO FIND THE ADDRESS OF
YOUR NEAREST STATE SPARE PARTS CENTRE IN AUSTRALIA

Eurostyle Group Pty Ltd

65 Glynburn Road

Glynde S.A. 5070

Ph. 1800 440 335

Ph (08) 8165 1012

Fax: (08) 8165 1018

Pronto Service + Support: 1800 440 335
Email: service@eurostylegroup.com.au

HEAD OFFICE
65 Glynburn Road, Glyne SA 5070
Ph: 08 8165 1012

www.euroappliances.com.au

