

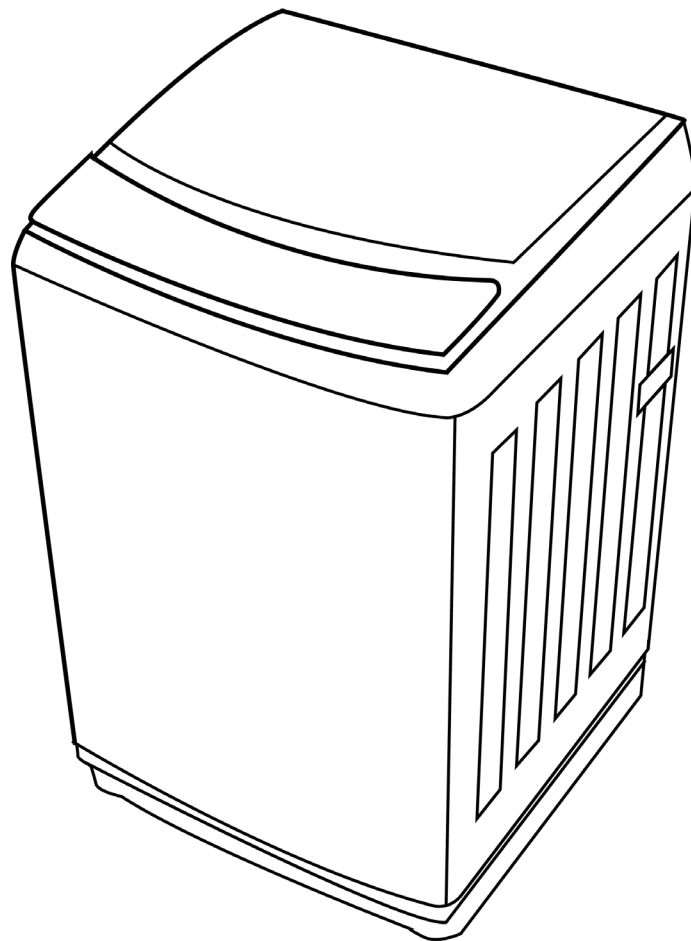
# Euromaid

## User Manual

Description: Top Loader Washing Machine

MODEL NO. ETL550FCW / ETL700FCW / ETL800FCW /

ETL1000FCW



# CONTENTS

## SAFETY INSTRUCTIONS

Explanation of the symbols ..... Pg 05

## INSTALLATION

Product description ..... Pg 10

Accessories included ..... Pg 10

Installation area ..... Pg 11

Unpacking the washing machine ..... Pg 11

Levelling the washing machine ..... Pg 12

Connection of inlet hose, tap and washing machine..... Pg 13

Prior to commencing use..... Pg 14

Washing ..... Pg 14

After washing..... Pg 14

Articles of washing that require attention ..... Pg 15

Washing powder and detergent advice ..... Pg 15

Control panel ..... Pg 16

Program variables..... Pg 18

Personalised settings of washing programs..... Pg 19

Operations of washing process..... Pg 19

Washing program table ..... Pg 20

## MAINTENANCE

Cleaning and care ..... Pg 23

Cleaning the cabinet..... Pg 23

Cleaning drain pump filter ..... Pg 24

Troubleshooting..... Pg 25

Technical information ..... Pg 26

## MANUFACTURER'S GUARANTEE

Manufacturer's Guarantee ..... Pg 27

For your safety, the information in this manual must be followed to minimize the risk of fire or explosion, electric shock, or to prevent property damage, personal injury or loss of life.

- This appliance is not intended for use by persons (including children) with reduced physical, sensory or mental capabilities or lack of experience and knowledge unless they have been given supervision or instruction concerning use of the appliance by a person responsible for their safety
- Children should be supervised to ensure that they do not play with the appliance.
- The new hose-sets supplied with the appliance are to be used. Old hose-sets should not be reused.
- If the supply cord is damaged, it must be replaced by the manufacturer, its service agent or similarly qualified persons in order to avoid a hazard.
- The openings must not be obstructed by a carpet.
- This appliance is intended to be used in household and similar applications such as:
  - staff kitchen areas in shops, offices and other working environments;
  - farm houses;
  - by clients in hotels, motels and other residential type environments;
  - bed and breakfast type environments;
  - areas for communal use in blocks of flats or in launderettes.

## Explanation of the symbols



**Warning!**  
This combination of symbol and signal word indicates a potentially dangerous situation which may result in death or serious injuries unless it's avoided.



**Caution!**  
This combination of symbol and signal word indicates a potentially dangerous situation which may result in slight or minor injuries or damage to property and the environment.



**Note!**  
This combination of symbol and signal word indicates a potentially dangerous situation which may result in slight or minor injuries.



## Warning!

### POTENTIAL ELECTRIC SHOCK

- **This appliance is for indoor use only.**
- **Do not put washing machine in a humid place**
- Hands shall not be inserted into running spin-dry tub .
- If the spin-dry tub does not stop within 15 seconds after opening the cover, please stop using the machine and have it repaired.
- Before any maintenance the device, unplug the appliance from the mains.
- Always unplug the machine and turn off the water supply after use Max. inlet water pressure 0.03MPa. Min. inlet water pressure 0.8MPa.
- To ensure your safety, power plug must be inserted into an earthed three-pole socket. Check carefully and make sure that your socket is properly and reliably earthed.
- Make sure that the water and electrical devices must be connected by a qualified technician in accordance with the manufacturer's instructions and local safety regulations.

### RISK TO CHILDREN!

- Machine may be very hot during the operation. Keep kids and pets far away from the machine during the operation.

### RISK OF EXPLOSION!

- Do not wash or dry articles that have been cleaned in, washed in, soaked in, or dabbed with combustible or explosive substances (such as wax, oil, paint, gasoline, degreasers, drycleaning solvents, kerosene, etc.) This may result in fire or explosion.

# SAFETY INSTRUCTIONS

## INSTALLATION WARNING!

- This washing machine is for indoor use only.
- It isn't intended to be built-in.
- The openings must not be obstructed by a carpet.
- Washing machine shall not be installed in bath room or very wet rooms as well as in the rooms with explosive or caustic gases.
- Remove all packages and transport bolts before using the appliance. Otherwise, serious damage may result.
- Washing machines with single inlet valve only can be connected to the cold water supply. Washing machines with double inlet valves should be correctly connected to the hot water and cold water supply.
- Plug must be accessible after installation.

## RISK OF DAMAGING APPLIANCES!

- Your product is only for home use and is only designed for the textiles suitable for machine washing.
- Do not climb up and sit on top cover of the machine.
- Do not lean against machine door.
- Cautions during Handling Machine:
  1. Transport bolts shall be reinstalled to the machine by a specialized person.
  2. The accumulated water shall be drained out of the machine.
  3. Handle the machine carefully. Never hold each protruded part on the machine while lifting.  
Machine door can not be used as the handle during the conveyance.
  4. This appliance is heavy. Transport with care.
- Please do not close the door with excessive forces.
- Do not wash carpets

# SAFETY INSTRUCTIONS

## OPERATING THE APPLIANCES!

- Before washing with clothes for the first time, run a wash program with the machine empty to ensure any residue from manufacturing processes is removed.
- Flammable and explosive or toxic solvents are forbidden.
- Gasoline and alcohol etc. Shall not be used as detergents.
- Please only select the detergents suitable for machine washing, especially for drum.
- Make sure that all pockets are emptied. Sharp and rigid items such as coin, brooch, nail, screw or stone etc. may cause serious damages to this machine.
- Please check whether the water inside the drum has been drained before opening its door. Please do not open the door if there is any water visible.
- Be careful of burning when the product drains hot washing water.
- Never refill the water by hand during washing.
- After the program is completed, Please wait for two minutes to open the door.

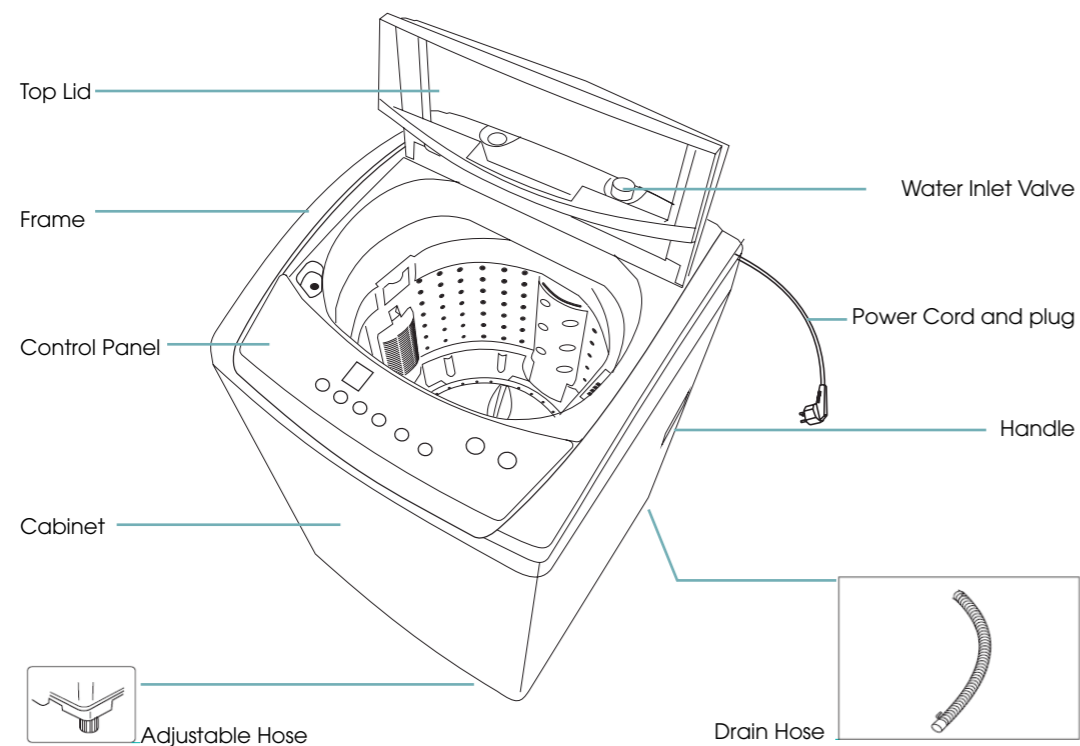
## PACKAGING / OLD APPLIANCES



This marking indicates that this product should not be disposed with other household wastes throughout the EU. To prevent possible harm to the environment or human health from uncontrolled waste disposal, recycle it responsibly to promote the sustainable reuse of material resources. To return your used device, please use the collection systems or contact the retailer where the product was purchased. They return and can take this product for environmental safe recycling.

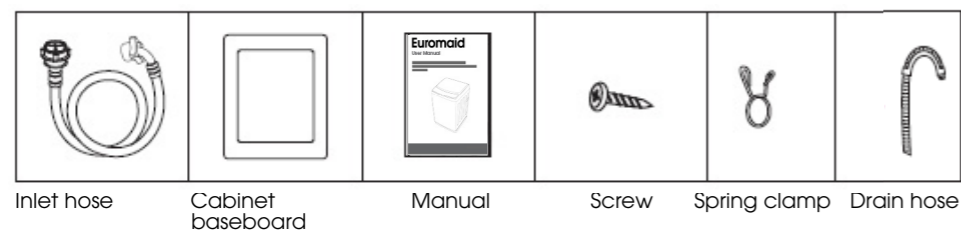
# INSTALLATION

## Product description



Note: The product line chart is for reference only, please refer to real product as standard.

## Accessories included



Note: if the drain hose is already installed on the machine, then there is no spring clamp and drain hose in the accessories.

# INSTALLATION

## Installation area

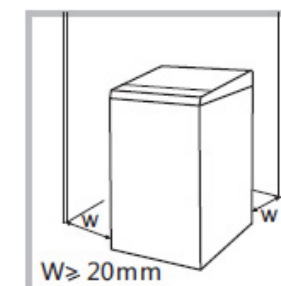


### Warning!

- Ensure the machine is level to minimise vibration when in operation.
- Ensure the power lead is not by caught under the machine where it can be come damaged.

Before installing the machine, ensure placement as follows:

1. On a rigid, dry, and level surface
2. Out of direct sunlight
3. Adequate ventilation
4. Room temperature is above 0 C
5. Away from heating sources.



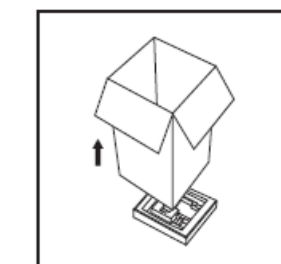
## Unpacking the washing machine



### Warning!

- Packaging material (e.g. Films, Styrofoam) can be dangerous for children.
- There is a risk of suffocation ! Keep all packaging well away from children.

1. Remove the cardboard box and styrofoam packing.
2. Lift the washing machine and remove the base packing.
3. Remove the tape securing the power supply cord and drain hose.
4. Remove the inlet hose from the drum.



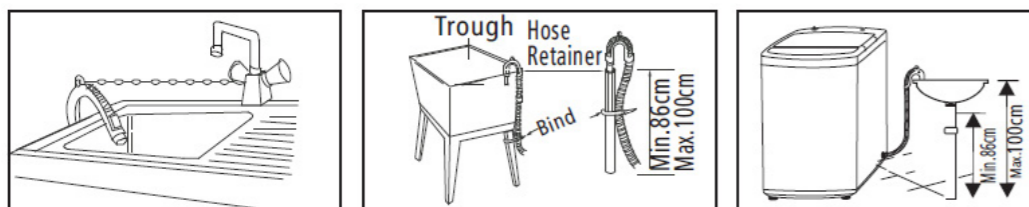
# INSTALLATION



## Warning!

- Position drain hose properly, otherwise damage might result in water leakage.
- Do not kink or protract the drain hose.
- If drain hose is too long, do not force it into washing machine as it will cause abnormal noises.

1. Place the drain hose in an upper draining system as per below:



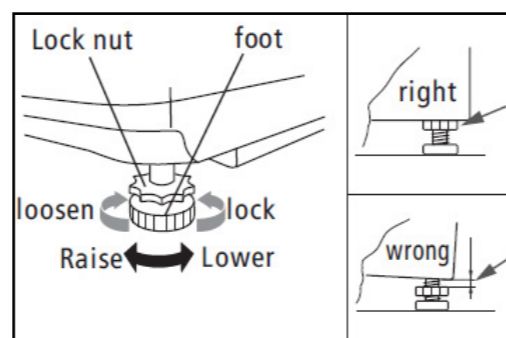
## Levelling the washing machine



## Warning!

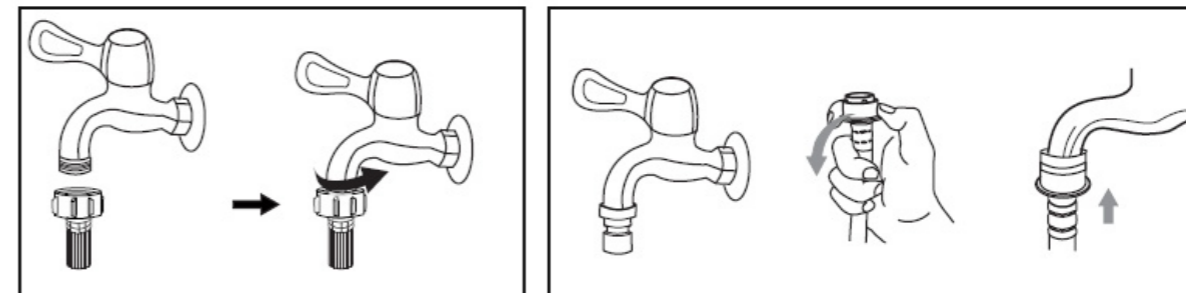
- The lock nuts on all four feet must be screwed tightly against the housing.

1. Check if the feet are closely attached the cabinet. If not, please turn them to their original positions to tighten the nuts.
2. Check alignment of the product with a spirit level and adjust as required
3. Loosen the lock nut and turn the feet ensuring they all contact the floor.
4. Check again with a spirit level and press down on all four corners to ensure there is no movement.



# INSTALLATION

## Connection of inlet hose, tap and washing machine



Tap with threads and inlet hose

Special tap for washing machine



## Warning!

- To prevent leakage or water damage, follow the instructions in this chapter
- Do not kink, crush, modify or sever the water inlet or drainage hoses

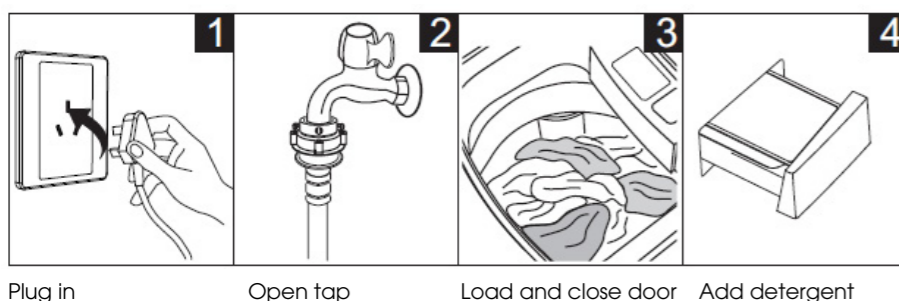
# OPERATION

## Prior to commencing use

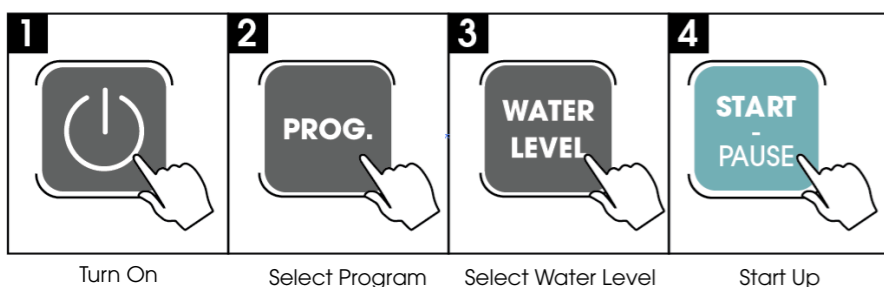


### Caution

- Before washing, please make sure the washing machine is installed properly.
- Before washing with clothes for the first time, run a wash program with the machine empty to ensure any residue from manufacturing process is removed.



## Quick Start



Note: If One Touch Auto Wash is engaged then steps 2 and 3 will be skipped.

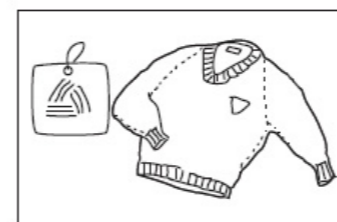
## After Washing Is Complete

Buzzer will beep after washing is finished and the power supply will be turned off automatically, after this laundry can be unloaded. unload the laundry. When not in use, the tap should be turned off to avoid possible water leaks.

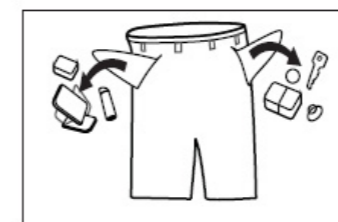
# OPERATION

## Articles of washing that require attention.

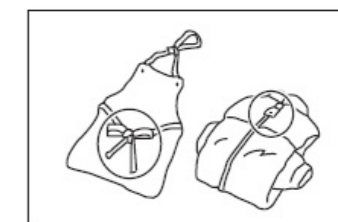
- The ambient temperature in the room where the washing machine is placed should be between 0 - 40°C. If used under 0°C, the inlet valve and draining system may be damaged. If the machine is stored in conditions of 0°C or less, then it should be transferred to normal ambient temperature to ensure the water supply hose and drain hose are not frozen before use.
- Ensure to follow how to care for instructions on clothing labels and use washing detergent suitable for a top loader machine.



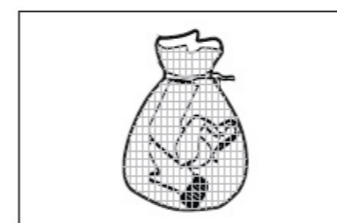
Check the label



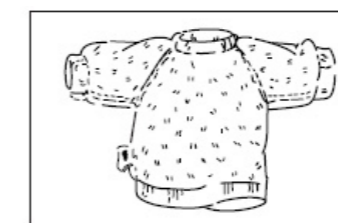
Remove all items from pockets



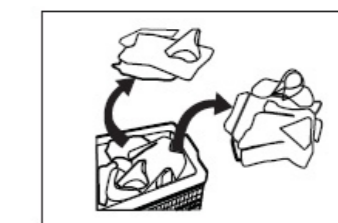
Tie long strips in knots and zip/button up all items of clothing.



Place small or delicate articles of clothing into a suitable wash bag.



Turn easy-pilling and long-pile fabric inside out



Separate lights and darks and clothes with different textures



### Warning

- Washing single items of clothing may cause the drum to become unbalanced and stop the wash cycle therefore it is recommended to wash at least 2 - 3 items at a time to so machine is balanced.
- Ensure any articles of clothing that have come in contact with flammable liquids are thoroughly rinsed in water before being washed in the machine.

## Washing Powder and Detergent Advice

- If a powder detergent is being used, its recommended to mix with water before pouring into the detergent reservoir.
- Please choose a detergent specific to top loading washing machines and suitable for the water temperature you wish to use so washing performance is maximized.



# OPERATION

## Control Panel

### WATER LEVEL

Select water level according to amount of clothes loaded into the machine where 1 is low and 8 is high. A solid indicator light indicates the water level to the left (1, 3, 5, 7) and a flashing indicator light indicates the water levels to the right (2, 4, 6, 8).

### DISPLAY

The display shows the settings, estimated time remaining, options, and status messages for the washing machine. The display will remain on through the cycle. If using the delay function, the LED will be flashing with the remaining time before the machine starts washing. During a washing cycle, the LED is will be solid and show the remaining time of the program.

**NOTE!**  
• If there is any break in the power supply while the machine is operating, the current program selected will be stored in the memory and will resume when the power supply is reconnected.

### WATER TEMPERATURE

Press this button to select the water temperature. When both the **Hot** and **Cold** indicators are lit, the water temperature is set to **Warm**.

### POWER

Press this button to turn the washing machine **On or Off**.

### DRUM CLEAN

Drum clean aids in keeping the machine clean by pushing out dirt and grime lodged in the drum. A flashing LED indicates the cleaning function will be performed during the program.

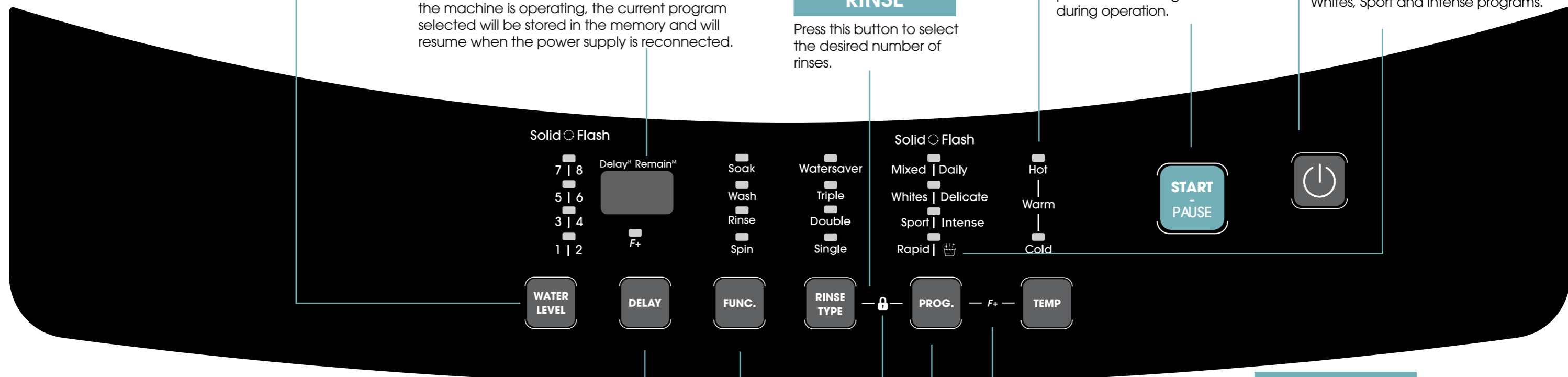
**NOTE:**  
The function is included in the Mixed, Whites, Sport and Intense programs.

### START/PAUSE

After selecting the desired wash settings, press this button to start the wash cycle. You can also use this button to pause the washing machine during operation.

### RINSE

Press this button to select the desired number of rinses.



### DELAY

After selecting a Program, press the Delay button to choose a delayed start time. Press **Start/Pause** to commence the delay operation.

To switch the delay start off, simply press the button until the delay light is off. If the program has already started, press the **Power** button to reset the program.

### FUNCTION

Press this button to select desired wash functions. i.e. Soak, Wash, Rinse or Spin or a combination of these.

### CHILD LOCK

Simultaneously press the **RINSE TYPE** and **PROG.** buttons to activate the child lock. Repeat this process to deactivate the child lock.

**NOTE!**  
• The Child Lock function will lock all buttons except **POWER**.

### PROGRAM

Press this button to select the desired wash program.

A solid LED indicates the program on the left (**Mixed, Whites, Sport, Rapid**) is selected whereas a flashing LED indicates the program on the right (**Daily, Delicate, Intense**) is selected.

### FAST+

Fast+ is engaged by Simultaneously pressing the **PROG.** and **TEMP.** buttons. Repeat this process to deactivate.

Fast+ will reduce the washing cycle time by 20-40% by increasing the intensity of the agitator.

# OPERATION

## Program Variables

The below buttons can be used to change variables on all wash programs.



### Water Level

Select water level according to amount of clothes loaded into the machine where 1 is low and 8 is high.



### Rinse Type

The no. of rinses can be selected and the Watersaver feature activated. When activated the Watersaver feature will no drain the water or spin the clothing, the water can then be reused for the next load of washing.



### Function

Select a combination of Soak, Wash, Rinse or Spin.



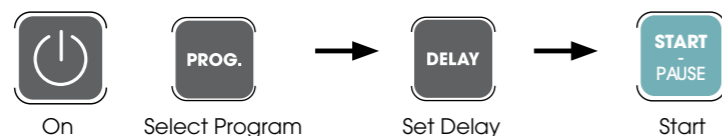
### Temp

Select **Hot, Warm or Cold** water.



### Delay

Allows up to a 24H delay start to be set. Follow the below sequence to enable. To disable, push the **DELAY** button until the LED screen is blank.



- If there is any break in the power supply while the machine is operating, a special memory stores the selected program and when the power is restarted

## Manual Program Selection

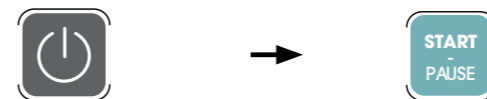
The below process can be utilised to customise the wash program based on the type and no. of articles of clothing that require washing.



# OPERATION

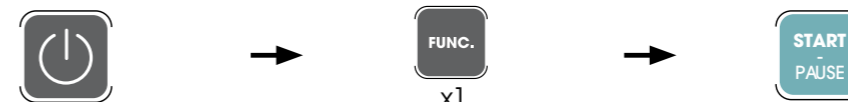
## One Touch Auto Wash

The One Touch Auto Wash feature detects the amount of clothing placed in the machine and automatically sets the water level and wash program accordingly. After switching on the machine, simply push the **START-PAUSE** button and washing will commence.



## Wash Combinations Available

### Spin



### Wash Only



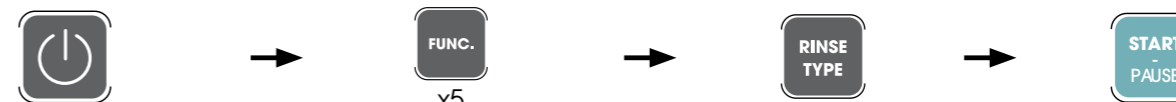
### Wash + Rinse



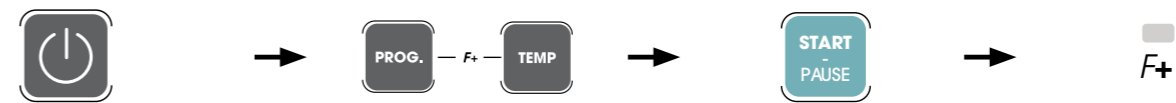
### Rinse + Spin



### Soak + Wash + Rinse + Spin\*



### Fast+



### Child Lock

The Child Lock will lock all controls on the washing machine except the **POWER** button. To enable, simultaneously press the **RINSE TYPE** and **PROG.** buttons together for 3 seconds. To deactivate repeat the above procedure.



\*In reference to above wash combination, it extends duration of program except on Sport, Daily and Intense programs.

# OPERATION

## Washing Program Table

Program	Description
Daily	Everyday program suitable for a variety of garments that are lightly to medium soiled.
Mixed	Suitable for mixed load of garments such as cottons and synthetics.
Sport	Suitable for more durable garments such as sports and outdoor wear.
Rapid	15-minute program ideal for light clothing such as shorts, t-shirts, socks and undergarments.
Whites	Suitable for white cotton and synthetic garments. For best results use this cycle with warm or hot water.
Delicate	Softer cycle suited to easy care garments such as wool, silk, satin, synthetics fibres or blended fabrics.
Intense	Longer wash program with strong water stream and agitator movement suitable for medium to heavily soiled garments.

\*Always consult the label on the clothing item to be washed before placing in the machine to ensure the most suitable program is selected. If garment is considered fragile then it is advised to hand wash only or skip the spin program when washing in the machine.

# OPERATION

## 5.5kg Program Variables

Program	Duration	Delay (H)	Water level	Soak (Mins)	Wash(Mins)	Rinse no.	Spin (Mins)
Mixed	49	0-24	auto/(1-8)	—	12	0/1/2/3/spin hold	7
Daily	88	0-24	auto	12	10	1	3
Whites	54	0-24	auto/(1-8)	—	15	0/1/2/3/spin hold	9
Delicate	47	0-24	(4) (1-8)	—	12	0/1/2/3/spin hold	5
Sport	75	0-24	auto/(1-8)	20	12	0/1/2/3/spin hold	9
Intense	91	0-24	(7)(4-8)	20	15	0/1/2/3/spin hold	9
Rapid	15	0-24	(2) (1-6)	—	2	1	4

\*all duration times shown are represented in minutes unless otherwise indicated

## 7kg Program Table

Program	Duration	Delay (H)	Water level	Soak (Mins)	Wash(Mins)	Rinse no.	Spin(Mins)
Mixed	55	0 24	auto/(1-8)	0	15	0/1/2/3/spin hold	7
Daily	2H	0 24	auto	30	18	0/1/2/3/spin hold	4
Whites	57	0 24	auto/(1-8)	0	15	0/1/2/3/spin hold	9
Delicate	50	0 24	(1-8)(4)	0	12	0/1/2/3/spin hold	5
Sport	77	0 24	auto/(1-8)	20	15	0/1/2/3/spin hold	9
Intense	92	0 24	(5-8)(8)	20	18	0/1/2/3/spin hold	9
Rapid	15	0 24	(1-6)(2)	0	2	1	4

\*all duration times shown are represented in minutes unless otherwise indicated

# OPERATION

## 8kg Program Table

Program	Duration	Delay (H)	Water level	Soak (Mins)	Wash(Mins)	Rinse no.	Spin(Mins)
Mixed	52	0 24	auto/(1-8)	0	12	0/1/2/3/spin hold	7
Whites	57	0 24	auto/(1-8)	0	15	0/1/2/3/spin hold	9
Daily	2H	0 24	auto	30	15	0/1/2/3/spin hold	7
Delicates	50	0 24	(1-8)(4)	0	12	0/1/2/3/spin hold	5
Sport	77	0 24	auto/(1-8)	20	15	0/1/2/3/spin hold	9
Intense	92	0 24	(5-8)(8)	20	18	0/1/2/3/spin hold	9
Rapid	15	0 24	(1-6)(2)	0	2	1	4

\*all duration times shown are represented in minutes unless otherwise indicated

## 10kg Program Table

Program	Duration	Delay (H)	Water level	Soak (Mins)	Wash(Mins)	Rinse no.	Spin(Mins)
Mixed	52	0 24	auto/(1-8)	—	12	0/1/2/3/spin hold	7
Daily	2H	0 24	auto	45	20	0/1/2/3/spin hold	7
Whites	57	0 24	auto/(1-8)	—	15	0/1/2/3/spin hold	9
Delicates	50	0 24	(1-8)(4)	—	12	1	4
Sport	77	0 24	auto/(1-8)	20	15	1	7
Intense	92	0 24	(4-8)(8)	20	18	0/1/2/3/spin hold	5
Rapid	15	0 24	(1-6)(2)	—	2	0/1/2/3/spin hold	9

\*all duration times shown are represented in minutes unless otherwise indicated

# MAINTENANCE

## Cleaning and care

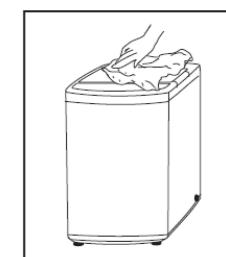


Warning!

- Before performing maintenance , please unplug the machine and close the tap.

## Cleaning and care

Proper maintenance on the washing machine can extend its working life. The surface can be cleaned with diluted non-abrasive neutral detergents when necessary. If there is any water overflow, use the wet cloth to wipe it off immediately. No sharp items should be placed on or in the machine.



Note:

- Formic acid and its diluted solvents or equivalent are forbidden, such as alcohol solvents or chemical products,etc.

## Cleaning the filters

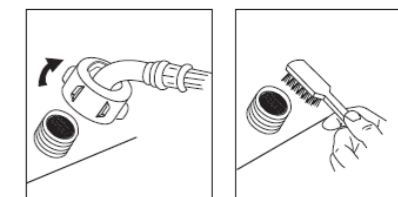


Note:

- Inlet filter must be cleaned if water flow is not efficient.

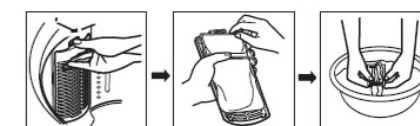
### Inlet Filters:

1. Screw off the inlet hose from the back of the machine.
2. Pull out the filter with long nose pliers and use a brush to clean.
3. Reinstall the filter and reconnect the inlet hose.
4. Reconnect the inlet pipe.



### Lint Filter:

1. There is a built-in lint filter in the machine that collect lint during the washing cycle.
2. It is suggested to clean the lint filter every 10 cycles.
3. Take it out and clean the filter with water. Then place it back into the machine.



# MAINTENANCE

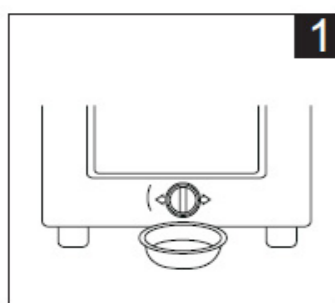
## Cleaning the drain pump filter

Only applicable to certain models.

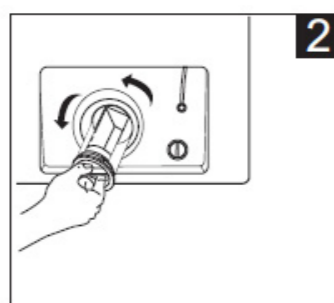


### Warning!

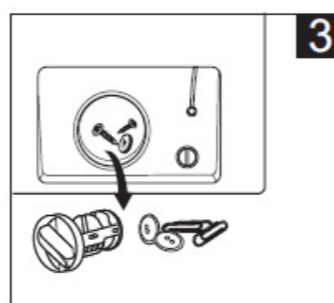
- Be careful of the hot water!
- Allow detergent solution to cool down.
- Unplug the machine to avoid electrical shock before cleaning.
- Drain pump filter can filter lint and small foreign objects from the washing.
- Clean the filter periodically to ensure the normal operation of washing machine.



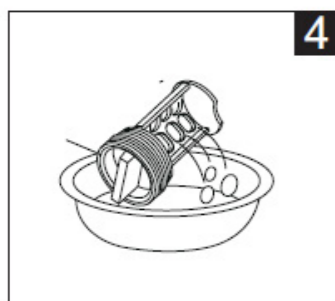
1 Drain the water out of the pump, using a container to collect the water.



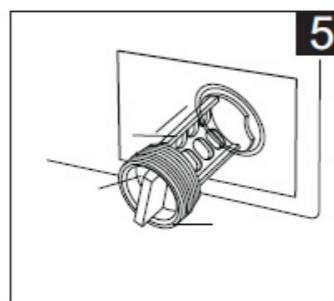
2 Open the filter by turning to counter clockwise.



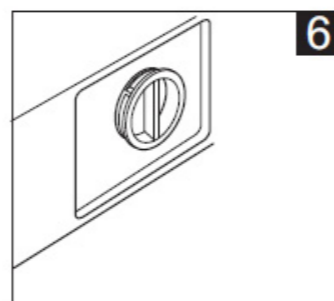
3 Remove any foreign objects.



4 Clean the filters



5 Re-insert the filter.



6 Tighten the pump cover clockwise.



### Caution!

- Make sure that valve cap and emergency drain hose are reinstalled properly, cap plates should be inserted aligning to hole plates otherwise water may leak;
- Some machines don't have emergency drain hose, so step 2 and step 3 can be skipped.
- Rotate lower cover cap directly to make water run into basin.

# MAINTENANCE

## Troubleshooting

If the machine will not turn on or stops during operation, refer to the table below to diagnose the problem. If a solution cannot be achieved, please contact the service provider.

Fault	Possible Cause
No washing	The power is off or the fuse is burned out. The power supply voltage is too low. The required water level has not been reached due to lack of flow. The delay has been set and has not yet expired.
No water flow	The power is off or the fuse is burned out. The water supply is cut off or the water pressure is too low. The inlet hose is not properly connected and/or the water tap is closed. The inlet filter is blocked by debris. The machine is on pause.
Abnormal draining	The water drain hose is placed too high. A partial/full blockage is present in the outlet hose
Abnormal spin	The door lid is not closed. Clothing is not spread out in the drum evenly. The machine has not been placed on an even surface The motor belt is loose.

Error Code	Description	Solution
E1	Alarm for abnormal water flow.	Check the water tap is open or not
E2	Water hasn't drained properly.	Check the water sensor and drain pump
E3	Alarm for lid not closed before wash and spin.	Close the lid, Press "Start" button
E4	Unbalanced drum.	Manually balance clothes in the drum by hands.



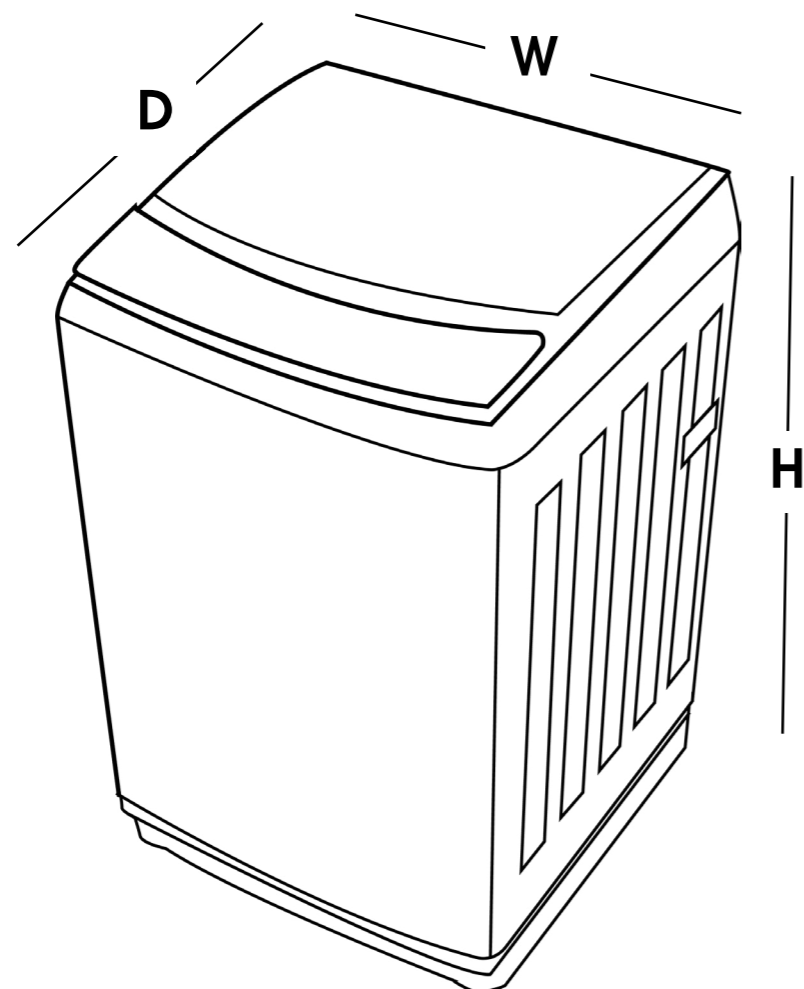
### Note:

- After the checking all possible fault causes, activate the appliance. If the problem occurs or the display shows other error codes again, contact the service centre.

## Technical Information

Model No.	Washing Capacity	Unit Dimensions	Unit Weight	Rated Power	Power Supply
ETL550FCW	5.5kg	515 (W) x 525 (D) x 910mm (H)	31kg	400W	220-240V~50Hz
ETL700FCW	7kg	550 (W) x 565 (D) x 935mm (H)	38kg	450W	220-240V~50Hz
ETL800FCW	8kg	580 (W) x 596 (D) x 968mm (H)	39kg	480W	220-240V~50Hz
ETL1000FCW	10kg	601 (W) x 630 (D) x 1000mm (H)	45kg	600W	220-240V~50Hz

Standard Water Pressures: 0.03-0.8MPa



This warranty is provided in Australia by Glen Dimplex Australia Pty Limited ABN 69 118 275 460 (Phone number 1300 556 816) and in New Zealand by Glen Dimplex New Zealand Limited NZBN 9429000069823 (Phone number 09 274 8265) in respect of the Euromaid product.

### 1. Euromaid Express Warranty

Subject to the exclusions below, we warrant that the product will not have any electrical or mechanical breakdowns within:

a) In the case of Euromaid products used for personal, domestic or household purposes, a period of 2 years from the date the product is purchased as a brandnew product from a retailer located in Australia / New Zealand.

b) In the case of Euromaid products used for purposes other than personal, domestic or household purposes (including business or commercial use), a period of 90 days from the date the product is purchased as a brand-new product from a retailer located in Australia / New Zealand. Euromaid products are designed and intended for domestic use only; and

c) All warranty repairs must be carried out by Glen Dimplex or their nominated service agent

Note: warranty periods detailed above may vary in line with agreements with select retail and builder partners and may differ between Australia and New Zealand. The benefits conferred by this express warranty are in addition to the Consumer Guarantees referred to in section 3 and any other statutory rights you may have under the Australian / New Zealand Consumer Law and/or other applicable laws.

### 2. Warranty exclusions

This express warranty does not apply where:

- The product has been installed, used or operated otherwise than in accordance with the product manual or other similar documentation provided to you with the product;
- The product requires repairs due to damage resulting from accident, misuse, incorrect installation, insect or vermin infestation, improper liquid spillage, cleaning or maintenance, unauthorised modification, use on an incorrect voltage, powersurges and dips, voltage supply problems, tampering or unauthorised repairs by any persons, use of defective or incompatible accessories or exposure to abnormally corrosive conditions, events independent of human control which occurred after the goods left the control of Glen Dimplex;
- The repair relates to the replacement of consumable parts such as fuses and bulbs or any other parts of the product which require routine replacement;
- You are unable to provide us with reasonable proof of purchase for the product;
- the breakdown occurs after the expiry of the express warranty period set out in section 1 or
- the product was not purchased in Australia / New Zealand as a brand-new product.

### 3. Consumer guarantees

Our goods come with guarantees that cannot be excluded under the Australian / New Zealand Consumer Law. You are entitled to a replacement or refund for a major failure and for compensation for any other reasonably foreseeable loss or damage. You are also entitled to have the goods repaired or replaced if the goods fail to be of acceptable quality and the failure does not amount to a major failure.







## READ THE INSTRUCTION BOOKLET BEFORE INSTALLING AND USING THE APPLIANCE.

The manufacturer will not be responsible for any damage to property or to persons caused by incorrect installation or improper use of the appliance.

The manufacturer is not responsible for any inaccuracies, due to printing or transcription errors, contained in this manual. In addition, the appearance of the figures reported is also purely indicative.

The manufacturer reserves the right to make changes to its products when considered necessary and useful, without affecting the essential safety and operating characteristics. Glen Dimplex constantly seeks ways to improve the specifications and designs of their products.

Whilst every effort is made to produce up to date literature, this document should not be regarded as an infallible guide. Actual product only should be used to derive cut out sizes. All appliances must be installed by a qualified person/s with adherence to the relevant electrical, plumbing and building codes, with compliance being issued as required by state or national legislation.

Additionally, all upright cookers must have the anti-tilt device installed correctly in adherence to the relevant standards by a licenced installer. For maximum effectiveness and efficiency all rangehoods should be installed with the use of ductwork, by a licenced installer with adherence to the relevant state and national building codes and regulations.

All Glen Dimplex appliances are for Domestic use only, and must be installed by a licence installer into Domestic Applications only, without exception and to the required Authorities guidelines. Any installation outside of this will VOID warranty. Alfresco areas are not a Domestic application.

### Glen Dimplex Australia Pty Ltd

[www.glendimplex.com.au](http://www.glendimplex.com.au)

### Glen Dimplex New Zealand Ltd

[www.glendimplex.co.nz](http://www.glendimplex.co.nz)

For service advice, please contact the Customer Care Centre by phone or email below.

#### Australia

Ph: 1300 556 816

[customer.care.ha@glendimplex.com.au](mailto:customer.care.ha@glendimplex.com.au)

#### New Zealand

Ph: 09 274 8265

[nztechserv@glendimplex.co.nz](mailto:nztechserv@glendimplex.co.nz)