

52cm Undermount RANGEHOOD

PRODUCT CODE: **EP52UMS2**



FEATURES:

- + Stainless steel finish
- + 3 speed motor
- + 500m³/hr extraction capacity
- + 2 x 1.5w LED lights
- + Undermount non-visible rangehood
- + Under push button control
- + Dishwasher safe cassette filter
- + Decibel rating 48-59 dBA
- + 150mm Flue diameter

3 SPEED MOTOR

This range hood provides the option of 3 different speed levels ensuring you have the option to use your rangehood at a low, medium or high level of operation.

EXTRACTION CAPACITY

The extraction capacity of 500m³/hr provides strength and power to this stylish rangehood.

DISHWASHER SAFE CASSETTE FILTERS

The cassette filters can be placed in a dishwasher for easy cleaning and can easily be removed, re-connected from the rangehood.

DECIBEL RATING

48-59 dBA

Electrical Requirements

Rangehood is supplied with 10amp cord & plug.

Decibel Rating

48-59 dBA

Available Ventilation Kits

RHKE65EU

Wall – Eave vent kit

RHKMR65EU

Universal metal roof kit (includes flashing)

RHKTR65EU

Universal tile roof kit (includes flashing)

Carbon Filter

CF110 (requires 2)

Barcode

9347726027838



eurocooking

3
YEARS

Warranty

HELPFUL TIPS

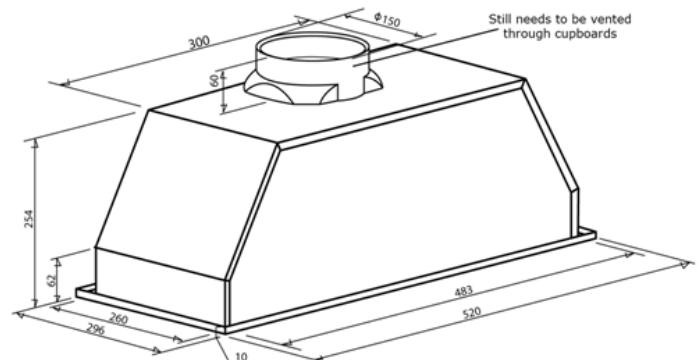
- + Leave your rangehood on for 15 minutes after the cooking of the food to remove all odors, steam etc.
- + The dishwasher-safe cassette filters need to be cleaned after approximately 2 months of standard operation
- + It is recommended that the rangehood be installed between 650mm and 750mm above the cooktop
- + It is also recommended that fumes from the rangehood be ducted out into the atmosphere.
- + Turn off the rangehood before attempting to clean

INSTALLATION

Installation is recommended by a qualified installer, please refer to the product manual for full installation instructions.

FILTER CLEANING INFORMATION

Cassette mesh filter: Requires cleaning monthly. This will ensure no interruptions with airflow operation.



euroappliances

EMBRACE QUALITY + PASSION

CUSTOMER SUPPORT TOLL-FREE **1800 440 335**

DISCLAIMER: Please note that the measurements and model appearances may change at any time. Euro Appliances reserves the right to change the specifications without notice.

www.euroappliances.com.au

cooking | laundry | refrigeration | alfresco