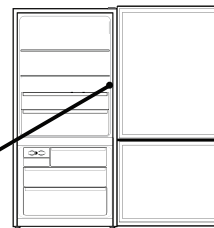
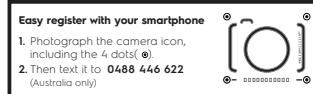


## REGISTER YOUR FRIDGE WITH YOUR SMARTPHONE

- 1 Locate the label on the inside of your fridge



- 2 Photograph the camera icon, including the 4 dots (⦿)



- 3 Text image to 0488 446 622 (Australia only)

© 2017 Electrolux Home Products Pty Ltd. EST\_PhotoRegister\_Fridge\_70x70\_Dec17



# CONGRATULATIONS

Dear Customer,

Congratulations and thank you for choosing our refrigerator. We are sure you will find your new refrigerator a pleasure to use. Before you use the relevant sections of this manual, which provides a description of your refrigerator and its functions.

To avoid the risks that are always present when you use an electric appliance, it is important that the refrigerator is installed correctly and that you read the safety instructions carefully to avoid misuse and hazards.

We recommend that you keep this instruction booklet for future reference and pass it on to any future owners.

After unpacking the refrigerator, please check it is not damaged. If in doubt, do not use the refrigerator but contact your local customer care Centre.

The symbols you will see in this booklet have these meanings:

 **WARNING**

This symbol indicates information concerning your personal safety.

 **CAUTION**

This symbol indicates information on how to avoid damaging the refrigerator

 **IMPORTANT**

This symbol indicates tips and information about use of the refrigerator

 **ENVIRONMENT**

This symbol indicates tips and information about economical and ecological use of the refrigerator

## Conditions of use

This refrigerator is designed and intended to be used in normal domestic applications only.

Record model and serial number here:

Model number: .....

Serial number: .....

# CONTENTS

- Important safety instructions ..... 3
- Features at a Glance ..... 4
- Installation ..... 5
- Connecting Water Supply ..... 7
- Controls ..... 9
  - External User Interface ..... 9
  - WI-FI Connectivity Set Up ..... 10
  - Internal User Interface ..... 12
  - FlexSpec™ Drawer Control Panel ..... 14
- Setting Cooling Temperature ..... 15
- Storage Features ..... 17
- General Information ..... 20
  - Cleaning your refrigerator ..... 20
  - Changing the filter ..... 20
- Food Storage Guide ..... 22
- Troubleshooting ..... 23
- Warranty ..... 26

## IMPORTANT SAFETY INSTRUCTIONS

*NOTE: You must read these warnings carefully before installing or using the refrigerator. If you need assistance, contact your customer care centre. The manufacturer will not accept liability, should these instructions or any other safety instructions incorporated in this book be ignored.*



### WARNING

- This appliance is not intended for use by persons (including children) with reduced physical, sensory or mental capabilities, or lack of experience and knowledge, unless they have been given supervision or instruction concerning use of the appliance by a person responsible for their safety. Children should be supervised to ensure that they do not play with the appliance.
- It is essential the power point is properly earthed to ground. Consult a qualified electrician if you are unsure.
- Do not use electrical appliances inside the food storage compartments of the appliance, unless they are of the type recommended by the manufacturer.
- Unplug the refrigerator before cleaning or moving it to avoid electric shock.
- Never unplug the refrigerator by pulling the electrical cord as this may damage it. Grip the plug firmly and pull straight out.
- If the power cord is damaged, it must be replaced by the manufacturer, its service agent or similarly qualified persons in order to avoid a hazard.
- Don't use a steam cleaner. If live components come into contact with condensing steam, they may short-circuit or cause an electric shock.
- Do not store explosive substances such as aerosol cans with a flammable propellant in this appliance. If pressurised aerosol containers bear the word 'flammable' and/or a small flame symbol, do not store them inside any refrigerator or freezer. If you do so you may cause an explosion.
- Do not damage the refrigerant circuit.
- This appliance contains insulation formed with flammable blowing gases. Avoid safety hazards by carefully disposing of this appliance.
- If you wish to discard this refrigerator, please contact your local authorities and ask for the correct method of disposal.
- When you dispose of your old refrigerators and freezers, remove any doors. Children can suffocate if they get trapped inside.



- The plug must be accessible when the appliance is in position.
- Never try to repair the refrigerator yourself, only use a qualified or authorized service person for repairs.
- Never put the appliance in a location that is too cold or is unprotected, for example in a garage or on a veranda. The ambient should be above 10°C.



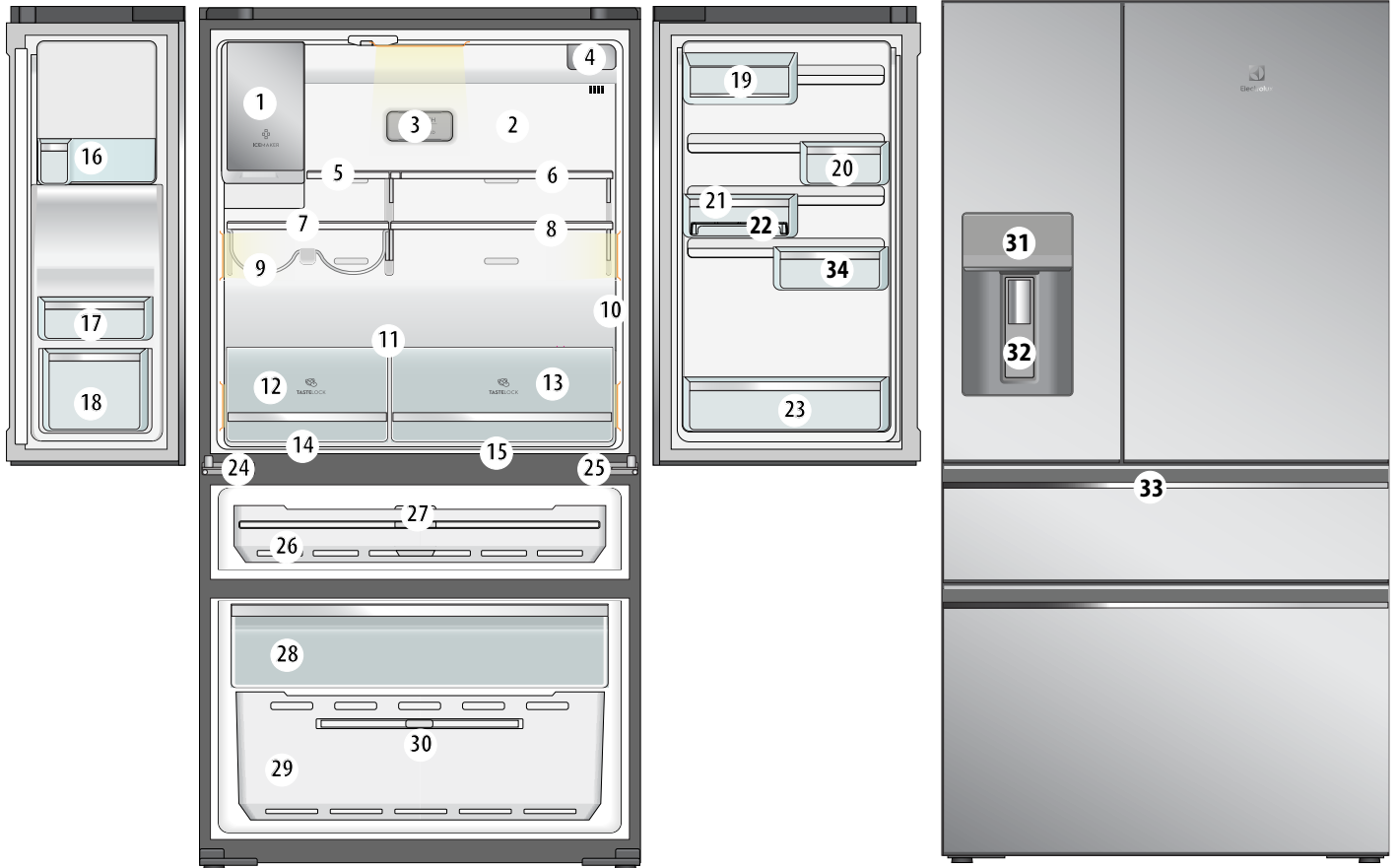
### WARNING

#### R600a refrigerant warning

This appliance contains flammable R600a refrigerant. Avoid safety hazards by carefully installing, handling, servicing and disposing of this appliance.

- Ensure that the tubing of the refrigerant circuit is not damaged during transportation and installation.
- Leaking refrigerant may cause eye injuries or ignite.
- The room for installing appliance must be at least 1m<sup>3</sup> per 8g of refrigerant. The amount of refrigerant in the appliance can be found on the rating plate inside the appliance.
- If you are unsure of the refrigerant check the rating plate inside the refrigerator compartment.
- It is hazardous for anyone other than an Authorised Service Person to service this appliance. In Queensland Australia the Authorisation Service Person MUST hold a Gas Work Authorisation for hydrocarbon refrigerants to carry out servicing or repairs which involve the removal of covers.
- Keep ventilation openings in the appliance enclosure or in the built-in structure, clear of obstruction.
- Do not use mechanical devices or other means to accelerate the defrosting process, other than those recommended by the manufacturer.

## FEATURES AT A GLANCE



- |    |                             |    |                              |    |                                    |
|----|-----------------------------|----|------------------------------|----|------------------------------------|
| 1  | Ice Maker                   | 12 | TasteLock™ crisper           | 23 | Bottle storage bin                 |
| 2  | Air distributor - Multiflow | 13 | TasteLock™ crisper           | 24 | Adjustable left hinge              |
| 3  | Deodoriser                  | 14 | Left Snack Zone compartment  | 25 | Adjustable right hinge             |
| 4  | Water filter                | 15 | Right Snack Zone Compartment | 26 | Convertible drawer                 |
| 5  | Flip up glass shelf         | 16 | Upper fixed door bin         | 27 | Drawer divider                     |
| 6  | Slide/fold glass shelf      | 17 | Left fixed door bin          | 28 | Upper freezer drawer               |
| 7  | Left glass shelf            | 18 | Left door bin                | 29 | Lower freezer basket               |
| 8  | Right glass shelf           | 19 | FlexStor™ dairy bin          | 30 | Lower freezer basket divider       |
| 9  | Wine rack                   | 20 | FlexStor™ 1/3 bin            | 31 | Refrigerator/Freezer control panel |
| 10 | Internal control panel      | 21 | FlexStor™ 2/3 bin            | 32 | Water and Ice Dispenser Trigger    |
| 11 | Crisper shelf cover         | 22 | Egg tray                     | 33 | Convertible drawer control panel   |
|    |                             |    |                              | 34 | Expandable bin                     |

## INSTALLING YOUR NEW APPLIANCE

### Unpacking



#### ENVIRONMENT

Most of the packing materials are recyclable. Please dispose of those materials through your local recycling depot or by placing them in appropriate collection containers.

Important – check for any damages or marks. If you find the refrigerator is damaged or marked, you must report it within 7 days should you wish to claim for damage/marks under the manufacturers warranty. This does not affect your statutory rights.

Clean your refrigerator thoroughly following the instructions in the “Cleaning” section and wipe off any dust that has accumulated during shipping.

### Locating the refrigerator



#### CAUTION

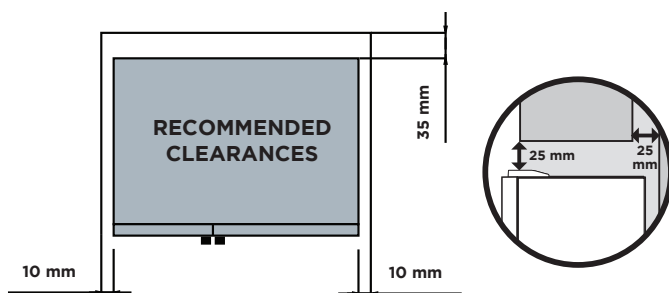
Automatic aerosol systems (such as insect control) should not be located adjacent to the product as the spray may cause long term damage to the external plastics of the appliance.

Do not put the refrigerator in a location that is too cold or is unprotected, for example in a garage or on a veranda. The ambient temperature should be above 10°C.

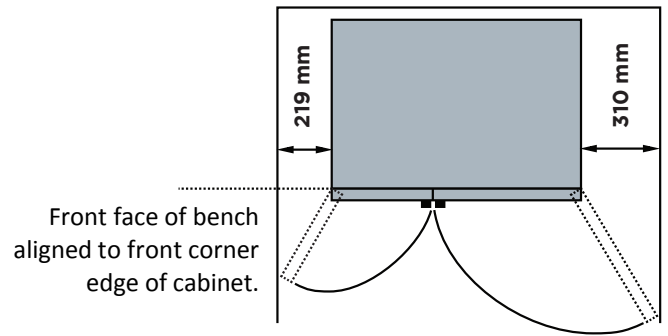
Put the refrigerator in a dry place avoiding areas of high moisture or humidity. Ensure the refrigerator is located on an even surface.

### Adequate ventilation around your refrigerator

The diagram below shows the recommended airspace to allow for ventilation of your refrigerator.



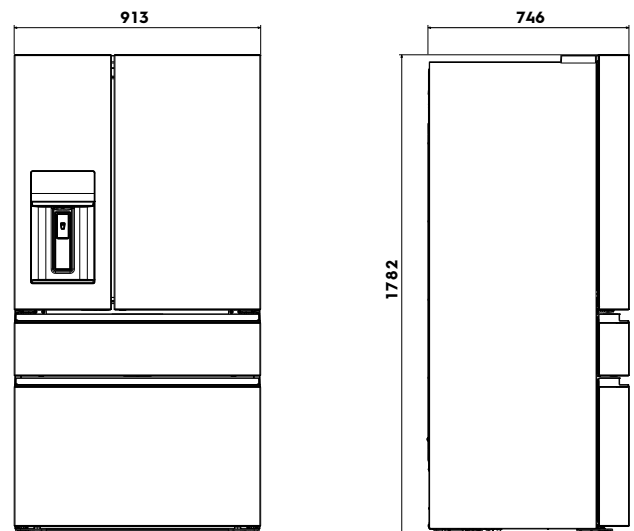
When positioned in a corner area, spacing of right side at least 219 mm and left side at least 310 mm on the hinge side will allow the doors to open enough to enable the removal of bins and shelves.



*NOTE: Doors are designed to sit proud of cabinetry (not flush). The clearances shown above are the recommended minimum clearances.*

### Installing your refrigerator

Allow the following clearances for ease of installation, proper air circulation, and plumbing and electrical connections:



*NOTE: If your refrigerator is placed with the door hinge side against a wall, you may have to allow additional space so the door can be opened wider.*

## Door opening

Your refrigerator should be positioned to allow easy access to a counter when removing food. For best use of refrigerator drawers and freezer baskets, the refrigerator should be in a position where both can be fully opened.



### CAUTION

#### LED lighting

Your appliance is fitted with long life LED lighting. In the unlikely event the LED lights should fail, then the LED lights should be serviced by the service agent, to avoid a safety hazard. Refer to the warranty page for contact details.

#### Cabinet Leveling & Refrigerator Door Alignment (if necessary)

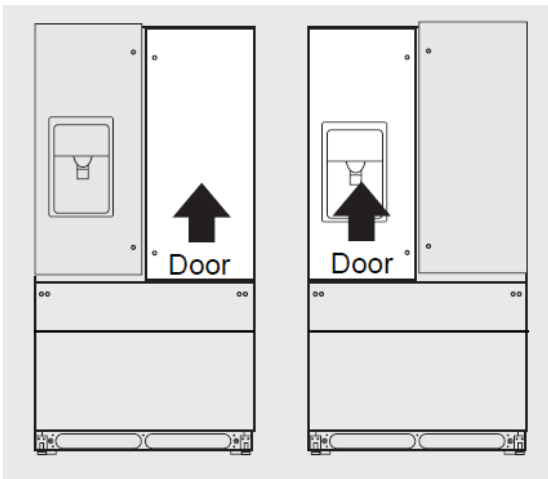
Guidelines for final positioning of your refrigerator:

- All four corners of the cabinet must rest firmly on the floor.
- The front should be slightly elevated to ensure that doors close and seal properly.
- Doors should align with each other and be level.

Most of these conditions can be met by raising or lowering the adjustable front rollers.

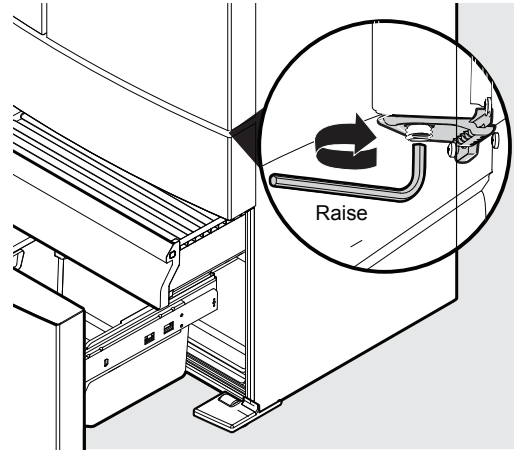
#### To level the cabinet using the front rollers:

1. Slightly open freezer drawer if the toe grille is installed. Lift the toe grille and gently pull forward.
2. Make initial cabinet adjustments by using the front roller height adjusting screws. Use a 3/8 inch socket wrench to turn the adjustment screws (1 per side).  
To raise: turn adjustment screw clockwise.  
To lower: turn adjustment screw counter clockwise.
3. Ensure both doors are bind-free with their seals touching the cabinet on all four sides and that cabinet is stable.
4. After unit is leveled, lower anti-tip leg using a 3/8 inch socket wrench until it firmly contacts the floor.



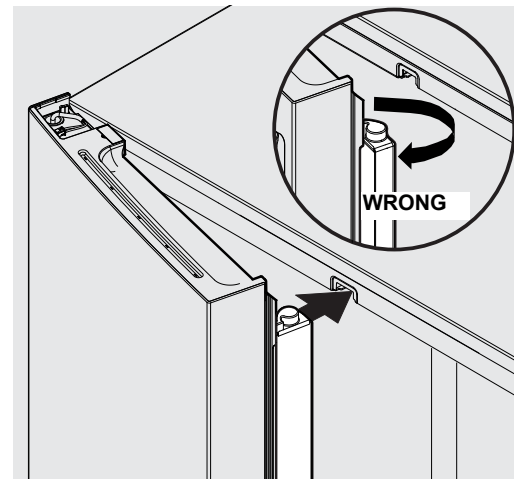
#### To make final door height adjustments:

1. Open freezer drawer to make lower hinge visible.
2. Insert 6mm Allen wrench into the shaft of the lower hinge.
3. Adjust the height by turning clockwise or counterclockwise. Turning clockwise will lower the door. Turning counterclockwise will raise the door. Default setting is to the lowest height when you receive your appliance.



#### Flipper Mullion

Adjust Flipper Mullion for proper connection with the mullion guide by ensuring the flipper mullion is folded and perpendicular to the fresh food door. If the mullion guide is not in the correct position, it could prevent the door from closing completely.



## CONNECTING THE WATER SUPPLY



### WARNING

To avoid electric shock, which can cause death or severe personal injury, disconnect the refrigerator from electrical power before connecting a water supply line to the refrigerator.



### WARNING

To Avoid Property Damage:

- DO NOT install water supply tubing in areas where temperatures fall below freezing.
- Chemicals from a malfunctioning water softener can damage the ice maker. If your home has a water softening system, ensure the softener is maintained and working properly.



### IMPORTANT

Ensure that your water supply line connections comply with all local plumbing codes.

Before Installing the Water Supply Line, You Will Need:

- Basic Tools: adjustable wrench, flat-blade screwdriver, and Phillips™ screwdriver
- The water dispenser and automatic ice maker require a drinkable water supply with a pressure range of between 206kPa and 689kPa (30PSI and 100PSI).
- A water supply to suit a ½" tap fitting is required adjacent to the refrigerator. It is recommended that a licensed plumber install a new water supply outlet nearer to the appliance should the tubing supplied not be long enough. It is not recommended that the tubing be extended as this could adversely affect the flow of water to the ice maker or water dispenser.



### WARNING

Connect to potable water supply only. If using tank or bore water it is recommended to also use an external filter (not supplied).

The new hose-sets supplied with the appliances must be used and old hose-sets should not be reused.

Never connect the appliance to a hot water supply. Do not use with water that is microbiologically unsafe or with water of unknown quality without adequate disinfection.

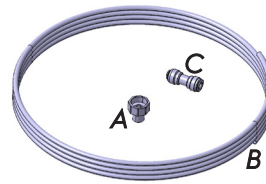


Figure 1

- A** - Adapter ½ to ¼ inch to connect the water supply outlet to the water supply line.  
**B** - Water supply line ¼ inch with 3 meters in length.  
**C** - ¼ inch connector to connect the water supply line to the refrigerator tube.

1. Disconnect the refrigerator from the power source.
2. Attach the adapter (item A above) to the water line, connect the water supply line (item B) to the adapter (item A) while holding the other end of the water supply line in a bucket or sink. Turn on the water supply to eliminate air and clean the water supply line. Turn off the water supply.
3. Remove the plastic protector from the refrigerator tube and connect the water supply line (item B) to the refrigerator tube using the connector (item C) as shown in fig. Make sure the tubes are inserted completely into the connections.
4. Wrap excess water supply line behind refrigerator so that it does not vibrate with refrigerator operation. Do not twist the pipe.
5. Turn on the water supply, check that there are no leaks in the connections.
6. Reconnect the refrigerator to the power source.
7. The Ice Maker is factory-switched, within 24 hours your refrigerator will have produced ice, discard the first production.

*NOTE: Expect the first ice harvest within first 24 hours of unit operation. To prevent any issues concerning ice production, please ensure that all water lines are primed. See "Priming the water supply system" in the "AUTOMATIC ICE & WATER DISPENSER" section.*

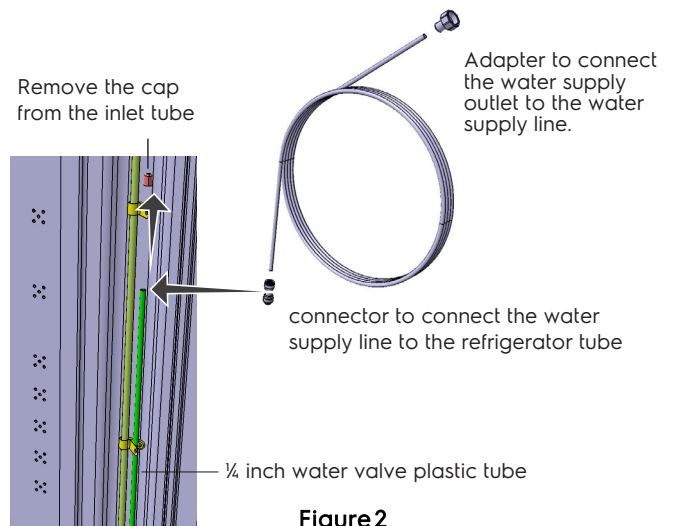


Figure 2



## **IMPORTANT**

Your refrigerator's water supply system includes several tubing lines, a water filter, and a water valve. To ensure that your water dispenser works properly, this system must be completely filled with water when your refrigerator is first connected to the household water supply line.

### **Water Filter**

The water filter should not be used on water that is micro biologically unsafe or with water of unknown quality. The service life of the filter may be reduced in water supplies that contain an excess of particles or other impurities.

Reduced flow rate is an indication that a new filter is required. Failure to replace the filter when required can affect the function of the ice maker. Service calls caused by a failure to replace the filter are not covered by warranty. Replacement water filters are available from Electrolux Home Products Spare Parts Centres and can be posted to you for your convenience (refer to spare parts contact numbers on the warranty page).



## ABOUT THE USER INTERFACE

### Controls -External User interface



| BUTTON / ICON | DESCRIPTION | PRIMARY FUNCTION   |
|---------------|-------------|--|
| 1.            | Lock Icon   | Indicates if the user interface is locked.   |
| 2.            | WATER       | Selects operation water mode of appliance.   |
| 3.            | CUBES       | Selects operation cubes mode of appliance.   |
| 4.            | CRUSHED     | Selects operation crushed mode of appliance.   |
| 5.            | CONNECT     | <p>Press and hold for 3 second to enable / disable wireless connection.</p> <p>When LED is lit the product is connected.</p> <p>When LED is flashing the product is connecting.</p> <p>When LED is off, Wi-Fi connectivity is off.</p> <p>Press and hold for 10 seconds to reset wireless connection</p> |

## WI-FI CONNECTIVITY SETUP

This chapter describes how to connect the smart appliance (fridge) to the Wi-Fi network and to link it to mobile devices.

By this functionality you can receive notifications, control and monitor your fridge from your mobile devices.

To connect the appliance to enjoy the full range of features and services you need:

- Wireless network at home with internet connection enabled.
- Mobile device connected to wireless network.

|           |                   |
|-----------|-------------------|
| Frequency | 2.412 - 2.472 GHz |
| Protocol  | IEEE 802.11b/g/n  |

### Download the Electrolux Life app for free now.

Requires Iphone6/IOS 9.3/  
Android 5.0 and above.



You will need to accept the Terms and Conditions in the app and Electrolux's Privacy Policy in order to use the full features of the fridge.



### Setting up your fridge\*

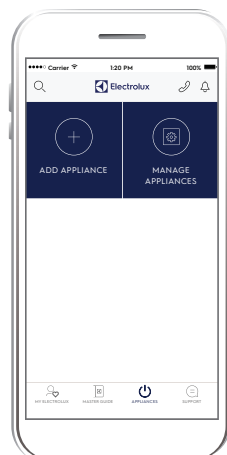
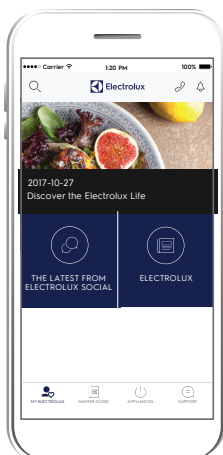
Once you've downloaded the Electrolux Life App, simply plug in your fridge to a power supply and you're ready to get set up.

### Add your appliance

Tap on 'Appliances' on the bottom of the home screen.

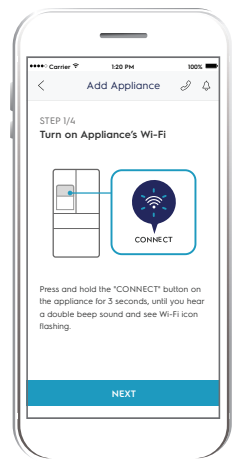
Tap on 'Add Appliance' to get started and follow the prompts on screen.

\*Set up will take 3 to 5 mins depending on your network speed.



### Turn on your fridge Wi-Fi

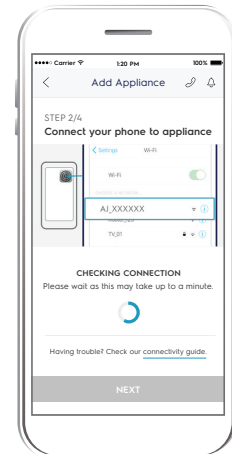
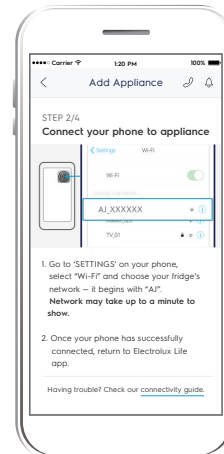
Press and hold the 'CONNECT' button for 3 seconds, until you see the Wi-Fi icon starts flashing.



### Connect your appliance: iOS

Go to 'SETTINGS' on your phone and select your appliance's Wi-Fi network, that begins with "AJ\_".

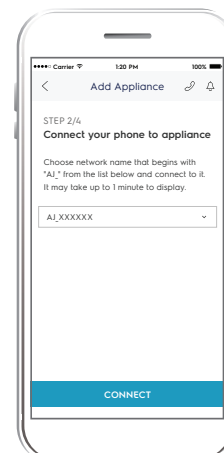
Return to the app screen for connection to next step. This may take up to a minute to display.



iOS device screens

### Connect your appliance: Android

For Android devices, select your appliance's Wi-Fi network from the drop-down box.

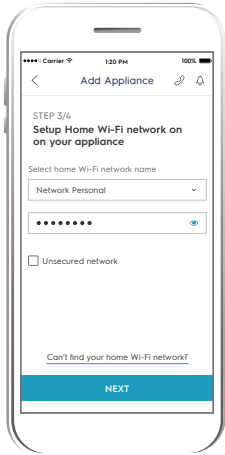


Android device screen

### Connect your fridge to your home Wi-Fi\*

You'll need to select your Wi-Fi network name and input your password.

\*For iOS devices, you will then be prompted to go to 'SETTINGS' on your phone and select your Home Wi-Fi, then return to the Electrolux Life app.



Only 2.4GHz network is supported

### Connection success!

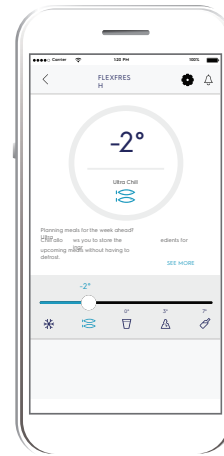
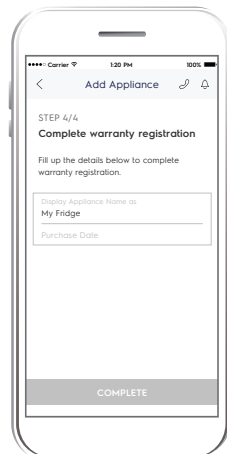
Please proceed to the next screen to register the appliance.

### Product registration

Simply add your fridge's name and the purchase date.

### Congratulations!

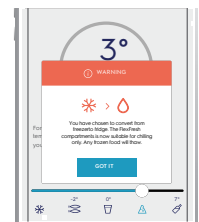
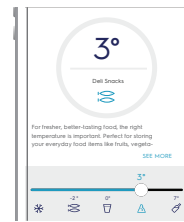
Now you're all setup, you can start exploring the Electrolux Life App.



### FlexFresh Drawer

Whether you are preparing the perfect frozen dessert or need that extra drink space, we make sure that your refrigerator is the ultimate secret to the perfect night of entertainment.

At the slide of a button, the convertible drawer can adjust from Freezer to +7°C\*, with 5 predefined settings so that you can enjoy food at its finest. \*within 2.5 hours



### Useful Alerts on your App



#### Fridge Door Open

The door has been open for more than five minutes. Please close it to save energy and avoid the loss of cold air.



#### Drinks Chill

The drinks in your freezer are now chilled. Please remove them from the freezer to avoid freezing.



#### Water Filter

Ensure you always have fresh filtered water, as you get a reminder when it's time to change the filter cartridge.



#### Eco Mode

Eco Mode is on. This mode helps save energy.

### Other Cool Features of your Fridge

#### TasteLock™ Easy Glide Crispers

Automatic humidity control ensures your fruit and vegetables are preserved in the optimal environment. Designed with your comfort in mind, the easy glide crispers open effortlessly and provide easy access even when they're full.

#### SmartSplit Door Design

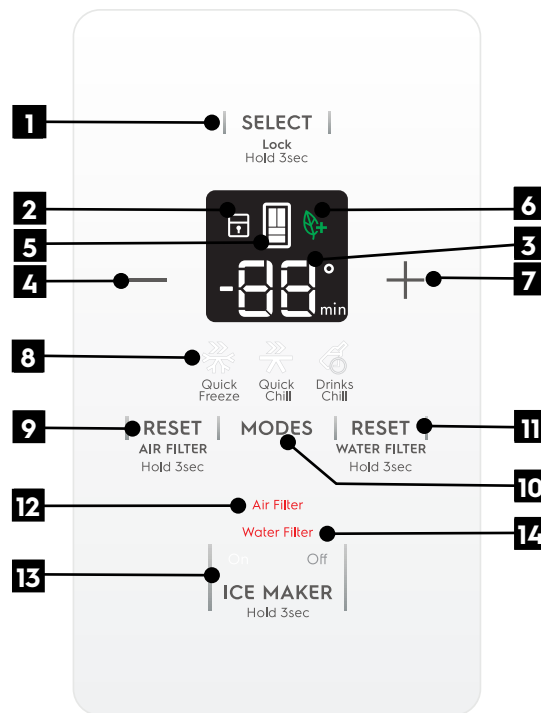
With optimally split doors you have more usable space in your refrigerator door and can effortlessly reach for larger items, saving you the need to open both doors every time.

#### Flip Up Shelves

With the ability to flip up some of the refrigerator shelving your taller Instagram worthy creations stay in one piece, ready for their big reveal.

## ABOUT THE USER INTERFACE







### Controls - Internal User interface



| BUTTON / ICON | DESCRIPTION  | PRIMARY FUNCTION   |
|---------------|--|--|
| 1.            | Compartment Selector button                              | Selects controllable compartment.  |
| 2.            | Lock Icon  | Indicates if the user interface is locked.                                 |
| 3.            | Digital display  | Indicates temperature of selected compartment.                             |
| 4.            | Decrease button  | Decreases temperature of selected compartment.                             |
| 5.            | Compartment Icon   | Indicates controllable compartment.  |
| 6.            | ECO Icon   | Indicates if the appliance is operating in its most energy efficient mode. |
| 7.            | Increase button  | Increases temperature of selected compartment.                             |
| 8.            | Mode indicators (Quick Freeze, Quick Chill, Drink Chill) | Indicates appliance operation mode.  |
| 9.            | Reset Air Filter button                                  | Selects operation reset air filter   |
| 10.           | Mode select button                                       | Selects operation mode of appliance.                                       |
| 11.           | Reset Water Filter button                                | Selects operation reset water filter                                       |
| 12.           | Air Filter button  | Selects operation status.  |
| 13.           | Water Filter button                                      | Selects operation status.  |
| 14.           | Ice maker button   | Selects operation status.  |

### IMPORTANT

The factory default settings for the refrigerator is "3°C" and "-18°C" for the freezer. If you want to change the temperature, remember to make only small adjustments and wait 24 hours to see if it's correct.

| Function   | Icon  | Operation (depending on model)   |
|--|---|--|
| Setting the temperature  |                  | Press either the + or - to adjust to desired temperature setting.<br>Freezer temp - Control temperatures range From -23°C to -15°C.<br>Refrigerator temp - Control temperatures range From +1°C to +7°C.   |
| Quick Freeze (on/off)<br>Activates a faster rate for freezing food in the freezer. Deactivates after 12 hours                      | <br>Quick Freeze | Press button 10 until the snowflake icon is illuminated.   |
| Quick Chill  | <br>Quick Chill  | Quick chill is a faster rate for chilling food in the refrigerator compartment. Deactivates after 6 hours.   |
| Drinks Chill<br>Sets a timer for between 1 and 30 minutes as a reminder for when drinks are placed in the freezer for quick chill. | <br>Drinks Chill | Quickly chills a drink inside the freezer compartment. Touch the Drinks Chill Key and a time value will display on the freezer display (in minutes) and can be changed using the +/- buttons. A tone will sound when the time has been input. Range is from 20-45 minutes in 5 minute intervals. |
| Display Lock<br>Deactivates the user interface controls.   |                  | Press and hold for 3 seconds to enable/disable. While in the locked state, you will not be able to change any settings on the display nor dispense ice and water. The indicator will flash and an audible warning tone is played.  |
| Ice Maker on/off<br>Enables/disables ice maker and water dispensing features.  | On      Off<br><b>ICE MAKER</b>   | When LED is lit, the ice maker is on. When ice maker is in OFF state, the indicator will blink when dispensing ice. Press and hold for 3 seconds to turn ice maker on/off.   |
| Indicator  | Icon  | Operation  |
| Eco Mode<br>Enabled when appliance set to energy efficient operating temperatures.   |                | ECO icon automatically appears when refrigerator is set between +3°C and +7°C and freezer is set between -14°C and -18°C   |
| Water Filter   | Water Filter  | Display illuminates every 6 months or when filter needs replacing. Press and hold 'Reset Water Filter' for 3 seconds to reset.   |
| Air Filter   | Air Filter  | Display illuminates every 6 months or when filter needs replacing. Press and hold 'Reset Air Filter' for 3 seconds to reset.   |
| Reset Air Filter   | <b>RESET<br/>AIR FILTER</b>   | After replacing filter, press and hold for 3 seconds to reset.   |
| Reset Water Filter   | <b>RESET<br/>WATER FILTER</b>   | After replacing filter, press and hold for 3 seconds to reset.   |

## ABOUT THE USER INTERFACE

### Controls - FlexSpace™ Drawer control panel



| BUTTON / ICON | DESCRIPTION      | PRIMARY FUNCTION  |
|---------------|------------------|---|
| 1.            | Unlock           | Press the UNLOCK icon. It will lock automatically after 3 seconds without any interaction. A tone will sound once panel is locked/unlocked.   |
| 2.            | Freezer          | To change the drawer temperature when in the freezer temp setting, use the control panel display on the front door. Changing the temp on the display will change both the drawer temp setting AND the freezer compartment |
| 3.            | Ultra Chill      | Choosing <b>Ultra Chill</b> will set drawer temperature to -2°C. A tone will sound to confirm choice.   |
| 4.            | Cold Drinks      | Choosing <b>Cold Drinks</b> will set drawer temperature to 0°C. A tone will sound to confirm choice.  |
| 5.            | Deli Snacks      | Choosing <b>Deli Snacks</b> will set drawer temperature to 3°C. A tone will sound to confirm choice.  |
| 6.            | Wine & Champagne | Choosing <b>Wine &amp; Champagne</b> will set drawer temperature to 7°C. A tone will sound to confirm choice  |

## SETTING COOLING TEMPERATURES

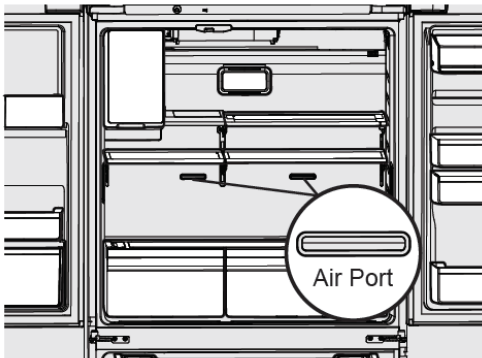
*NOTE: The recommended settings for a product installed in a kitchen is 3°C for the fresh food compartment and -17°C for the freezer.*



### IMPORTANT

If your product has food freezing in the fresh food compartment, increase the temperature setting 1 or 2 degrees.

If you place food within 1 inch in front of the air ports, there may be the chance of freezing food.



*NOTE: Control features and alarms may vary by model.*

## Alerts and Alarms

### Water Filter

When illuminated, the water filter needs to be replaced. Change the water filter every 6 months or when 120 gallons of water has been dispensed. To reset, press and hold button for 3 seconds. Tone will sound once it has been reset.

### Air Filter Installation

First operation the refrigerator need to installation the air filter which storage at crisper left side and follow installation method as below.

Carbon activated air filter

- 1) Remove plastic wrap.
- 2) Install filter according to your refrigerator's use&care guide.
- 3) Reset filter reminder light on your refrigerator.
- 4) Replace filter every 6 months.

When illuminated, air filter needs to be replaced.

Change the air filter every 6 months. To reset, press and hold button for 3 seconds. Tone will sounds once it has been reset.

### Door Open

If a door has been left open for 5 minutes or more, an alarm will sound and the door open indicator will illuminate on the display. The alarm can be turned off by closing the door or pressing any key. Control panel will return to normal operations after the door is closed.

### Error tone

An alarm will sound if the user tries to make a selection that is not available.

## Automatic Ice & Water Dispenser

### Using the ice maker after installation

Before making ice for the first time, be sure to prime the water supply system. Air in new plumbing lines can result in two or three empty ice maker cycles. Furthermore, if the system is not flushed, the first ice cubes may be discolored or have an odd flavor.

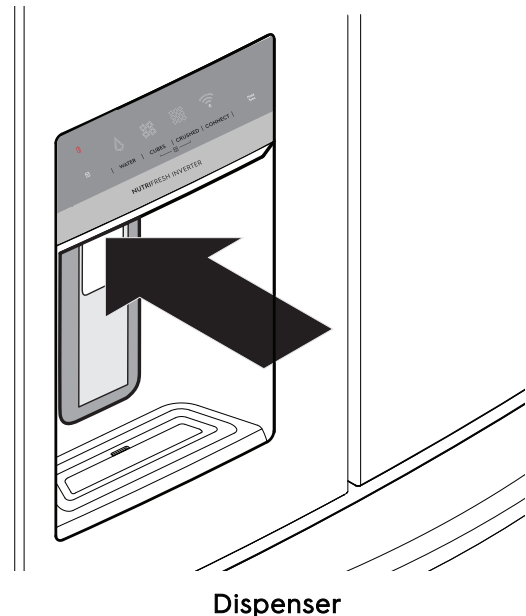
### Priming the water supply system



### CAUTION

For proper dispenser operation, recommended water supply pressure should fall between 30 psi and 100 psi. Excessive pressure may cause the system to malfunction.

1. Begin filling the system by pressing and holding a drinking glass against the dispenser.
2. Keep the glass in this position until water comes out of the dispenser. It may take about 1½ minutes.
3. Continue dispensing water for about four minutes to flush the system and plumbing connections of any impurities (stopping to empty the glass as necessary).



**Dispenser**

*NOTE: The water dispenser has a built-in device that shuts off the water flow after three minutes of continuous use. To reset this shutoff device, simply release the dispenser paddle.*

Only the first 26 ounces (750 ml) of dispensed water is chilled.

## Ice Maker Operation & care

After the refrigerator is installed properly and has cooled for several hours, the ice maker can produce ice within 24 hours. The ice maker will fill the ice bin from the rear. You must dispense some ice to force the ice forward in the bin. This will allow the bin to fill completely.

### Ice Maker and storage bin capacity

This ice maker should produce 2.5 to 3 pounds of ice per 24 hours. The ice bin will hold about 4 pounds of ice.

## TURNING THE ICE MAKER ON AND OFF



### IMPORTANT

Your ice maker is turned on at the factory so it can work as soon as you install your refrigerator. If you cannot connect a water supply, set the ice maker's On/Off feature to Off; otherwise, the ice maker's fill valve may make a loud chattering noise when it attempts to operate without water.

Ice production is controlled by the ice maker's On/Off feature on the control panel. Pressing the On/Off feature turns the ice maker on & off.

**NOTE:** The ice maker also has a built-in plastic signal arm that automatically stops ice production when the ice bin is full. This signal arm should not be used to manually stop the ice maker.



### IMPORTANT

Turning off the ice maker simply disables ice making. You will still be able to dispense existing ice, and you will still be able to dispense water.

On occasion, unusually small ice cubes may be noticed in the bucket or in dispensed ice. This could occur in normal operation of the ice maker. If you start seeing these more frequently, it may be an indication of low water pressure "or that" the water filter needs to be replaced. As the water filter nears the end of its useful life and becomes clogged with particles, less water is delivered to the ice maker during each cycle. Remember, if it has been six months or longer since you last changed your water filter, replace the water filter with a new one. Poor quality household water may require the filter to be changed more frequently.

### Ice maker/Dispenser tips

- If your refrigerator is not connected to a water supply or the water supply is turned off, turn off the ice maker as described in the previous section.
- The following sounds are normal when the ice maker is operating:
  - Motor running
  - Ice dropping into ice bin
  - Water valve opening or closing
  - Running water

- If you need a large quantity of ice at one time, it is best to get cubes directly from the ice bin.
- Ice cubes stored too long may develop an odd flavor. Empty the ice bin as explained below.
- When dispensing cubed ice, it is normal to have a small quantity of little pieces along with the whole cubes.
- To avoid splashing, dispense ice into your container before adding liquids.
- It is normal for ice to fill to the top of the ice bin.



### CAUTION

If the water supply to your refrigerator is softened, be sure the softener is properly maintained. Chemicals from a water softener can damage the ice maker.

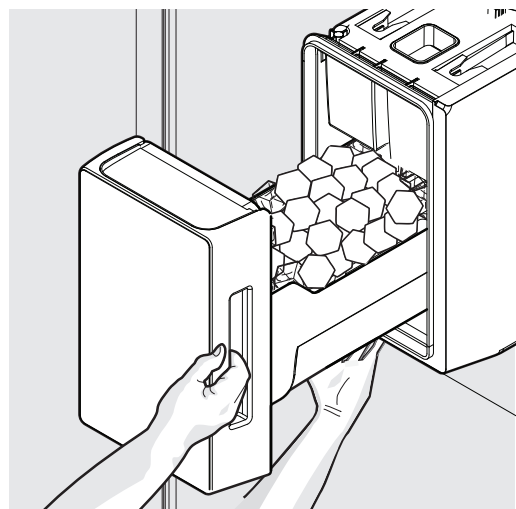
### Cleaning the ice maker

Clean the ice maker and ice bin at regular intervals, especially prior to vacation or moving.

1. Turn off the icemaker.
2. Remove the ice bin by pulling straight out.
3. Empty and carefully clean the ice bin with mild detergent. Do not use harsh or abrasive cleaners. Do not place in dishwasher. Rinse with clear water.
4. Allow the ice bin to dry completely before placing it back into the freezer.
5. Place ice bin back into position. Turn the ice maker on.

### Remove and empty the ice bin if:

- An extended power failure (one hour or longer) causes ice cubes in the ice bin to melt and refreeze together after power is restored, jamming the dispenser mechanism.
- You do not use the ice dispenser frequently. Ice cubes will freeze together in the bin, jamming the dispenser mechanism.



**Removing Ice Bin**

Remove the ice bin and shake to loosen the cubes or clean as explained above.



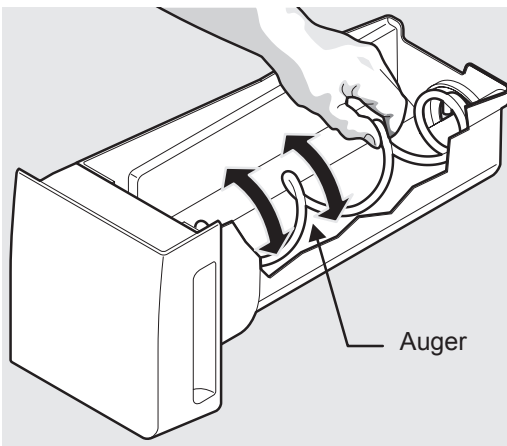
**CAUTION**

NEVER use an ice pick or similar sharp instrument to break up the ice. This could damage the ice bin and dispenser mechanism.

To loosen stuck ice, use warm water. Before replacing the ice bin, make sure it is completely dry.

**IMPORTANT**

When removing or replacing the ice bin, avoid rotating the auger in the ice bin. If the auger is accidentally rotated, you must realign the auger by turning it in 45 degree turns (see below) until the ice bin fits into place with the drive mechanism. If the auger is not properly aligned when replacing the ice bin, the refrigerator will not dispense ice. The fresh food door also may not close properly causing warm air to leak into the fresh food compartment.



Adjusting the ice bin Auger

## STORAGE FEATURES

**CAUTION**

To avoid personal injury or property damage, handle tempered glass shelves carefully. Shelves may break suddenly if nicked, scratched, or exposed to sudden temperature change. Allow the glass shelves to stabilize to room temperature before cleaning. Do not wash in dishwasher.

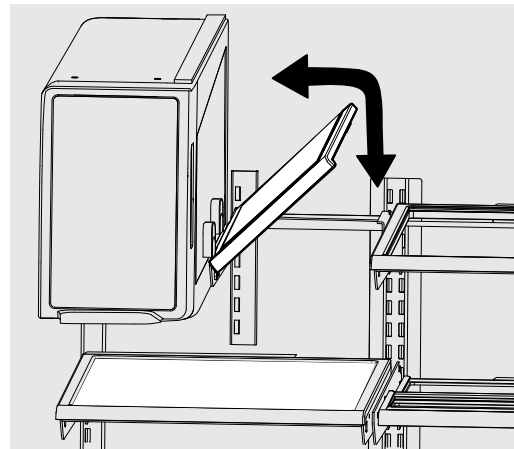
You can easily adjust shelf positions in the fresh food compartments to suit your needs. The shelves have mounting brackets that attach to slotted supports at the rear of each compartment.

**To change a shelf position:**

1. Remove all food from shelf.
2. Lift the front edge up and pull the shelf out.
3. Replace by inserting the mounting bracket hooks into the desired support slots.
4. Lower the shelf and lock into position.

**To adjust the flip shelf:**

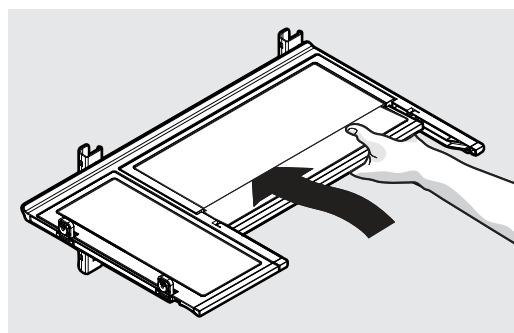
1. Remove food from shelf.
2. Lift the right side edge of shelf upwards and push to the left towards ice maker



Flip Shelf

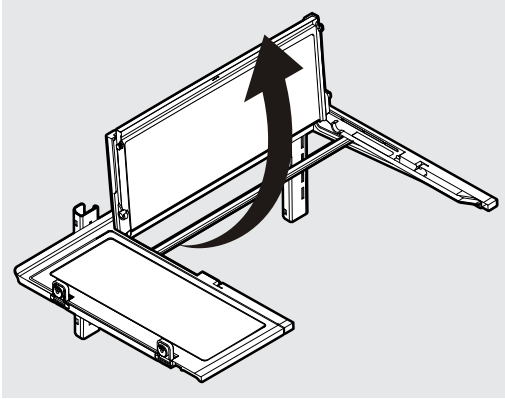
**To adjust the slide-under/flip shelf:**

1. Pull front half shelf forward until its back drops down, then gently push front half shelf back and under back half shelf.

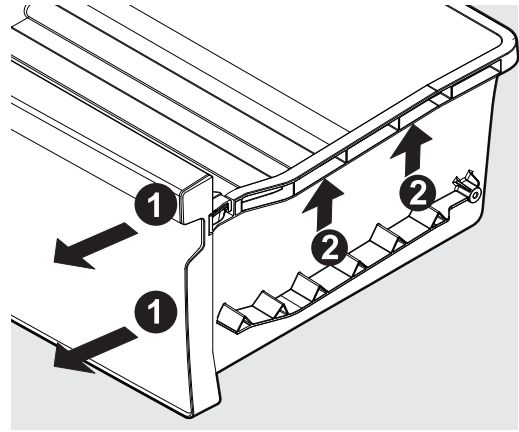


Slide-Under/Flip Shelf

2. With front half fully below back half, lift front of shelf to flip it upwards toward the back of the cabinet.



**Slide-Under/Flip Shelf**



**Removing the TasteLock™ Crisper**

**Drawers**

Your refrigerator includes a variety of storage drawers.

**TasteLock™ Crisper (with automatic humidity control)**

Crisper drawers are designed for storing fruits, vegetables, and other fresh produce. Crispers have an auto humidity control (with replaceable membrane) on the side of each crisper under the humidity control cover.

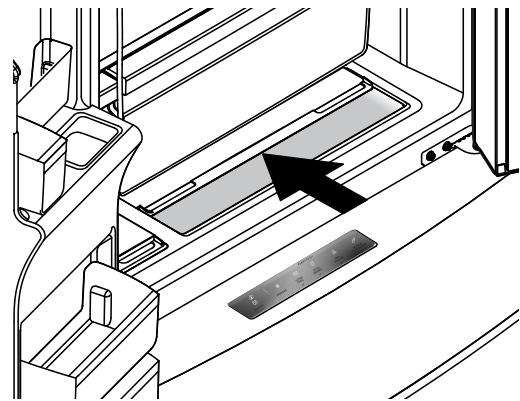
**To remove the auto humidity control membrane:**

1. Reach to back of humidity control cover.
2. Pull up on cover.
3. Pull cover towards back of cabinet and remove.
4. Replace humidity membrane.
5. Replace cover by reversing the steps above. Repeat for both crispers.

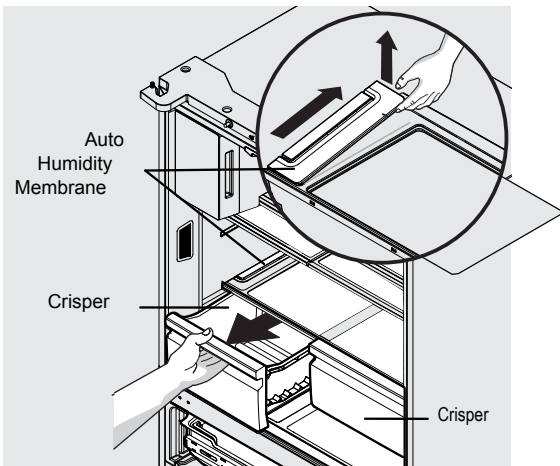
**Recessed SnackZone**

This drawer is ideal for storage of deli meats and cheese.

Slide back the cover to allow access to the drawers.



**Opening the SnackZone**



**Opening the Crisper Drawer**

**To remove the TasteLock™ Crisper for cleaning:**

1. Pull the drawer out until it stops.
2. Lift the front slightly and remove the drawer.

**Doors**

**Storage bins**

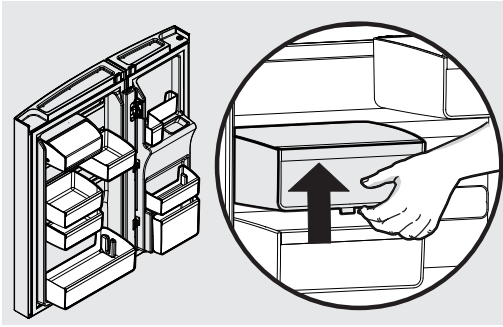
The doors to your fresh food compartment use a system of modular storage bins. All of these bins are removable for easy cleaning. Bins can be adjusted to your needs. Door bins are ideal for storing jars, bottles, cans, and large drink containers. They also enable quick selection of frequently used items.

**To move door bin along a rail:**

1. Tilt bin up so the back of the bin is off the door but the hook is still engaged.
2. Slide bin along rail to desired position.
3. Lower bin back into place.

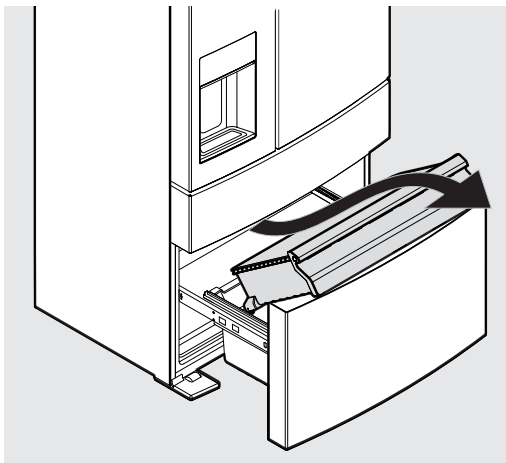
**To move door bin from rail to rail:**

1. Lift bin up disengaging the hook.
2. Move bin to desired rail location.
3. Push bin hook into rail engaging the hook.



**Adjustable Door Bins**

### Freezer Features



**Freezer Basket**

#### To remove upper freezer basket:

1. Open freezer compartment completely.
2. Lift up and out to remove upper freezer basket.

Reverse the steps to reinstall basket.

### **i** IMPORTANT

There are wheels on the bottom of the drawer. Make sure all wheels are aligned on their respective tracks for proper function. If drawer is not aligned properly, it will cause problems with the door operation.

NOTE: If basket is not resting on stabilizer bar retainer clips, the drawer will not close properly.

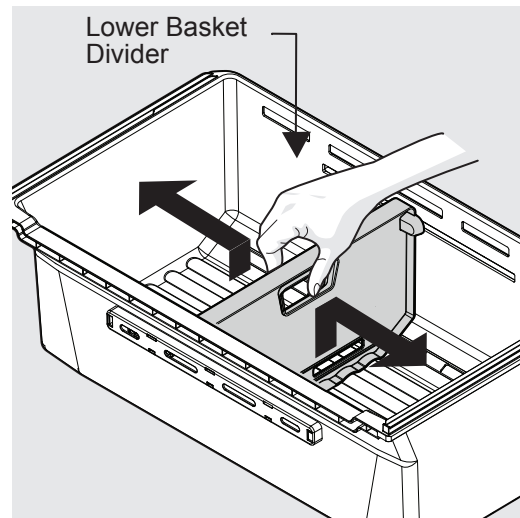
#### To remove lower freezer basket:

1. Open freezer compartment completely.
2. Lift the basket up and remove.

Reverse the steps to reinstall drawer.

### Dividers

Grab hand hold on lower divider and pull up slightly to slide to next position. (The divider cannot be removed.)



**Lower Basket Divider**

## GENERAL INFORMATION

### CLEANING YOUR REFRIGERATOR

#### WARNING

**BEFORE CLEANING:** Turn the refrigerator off at the power point and unplug the cord to prevent any chance of electrocuting yourself.

#### Doors and exterior (white and silver):

You should only clean the doors with lukewarm soapy water and a soft cloth.

#### Stainless Steel:

Your stainless steel refrigerator is manufactured from mark-resistant stainless steel. This stainless steel has a special advanced protective coating that eases the removal of marks such as fingerprints and water spots. To keep its appearance, clean it regularly with lukewarm soapy water and a soft cloth.

#### CAUTION

Never use stainless steel cleaners, abrasive pads or other cleaners that will scratch the surface. Damage to the appliance after delivery is not covered by your warranty.

#### Interior

Clean the inside of your refrigerator regularly with a soft cloth, unscented mild soap and lukewarm water. Thoroughly dry all surfaces and removable parts and avoid getting water on the controls. Replace removable parts, plug power cord in and switch the power on before returning the food.

#### Ice and water

Clean the components of the ice maker /water dispenser regularly with a soft cloth, unscented mild soap and rinsing thoroughly with lukewarm water. For further information on the care and cleaning of your Icemaker, Ice dispenser or water dispenser refer to the section "Ice and Water Models"

#### Door seals

Always keep door seals clean by washing them with a mild detergent and warm water, followed by a thorough drying. Sticky food and drink can cause seals to stick to the cabinet and tear when you open the door. Never use hot water, solvents, commercial kitchen cleaners, aerosol cleaners, metal polishes, caustic or abrasive cleaners, or scourers to clean your refrigerator. Many commercially available cleaning products and detergents contain solvents that will damage your refrigerator. Use only a soft cloth with an unscented mild soap and lukewarm water.

#### CAUTION

To clean a crisper or freezer bin with telescopic extension slides, simply wipe with a damp cloth and warm soapy water. Never immerse the cover in water, as this could affect the operation of the slide.

#### Switching off your refrigerator

If you switch off your refrigerator for an extended period, follow these steps to reduce the chances of mould:

1. Remove all food.
2. Remove the power plug from the power point.
3. Thoroughly clean and dry the Interior.
4. Ensure that all the doors are wedged open slightly for air circulation.

#### Changing the filter

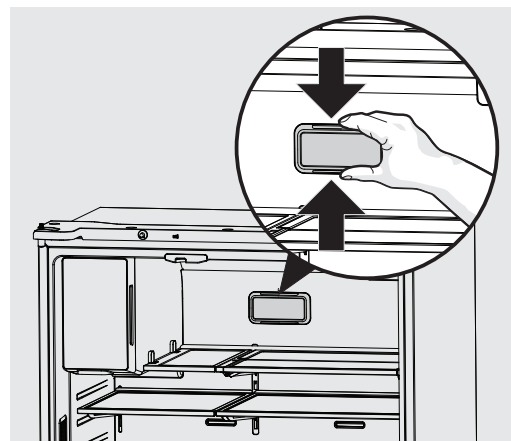
##### Air Filter (select models)

The air filter is located in the top center of the fresh food compartment.

##### Replacing your Air Filter

To ensure optimal filtering of refrigerator odors, you should change the air filter six months (The filter status light on the Touch Panel prompts you to replace the filter after six month)

1. Remove the air filter cover by squeezing the sides of the cover together and removing from liner
2. Remove the old filter and discard it.
3. Unpack the new filter and slide it into the housing. The open face must (carbon media) of the filter should be installed facing the air port (hole) in the multiflow.
4. Replace the air filter cover by squeezing the sides and snapping it back into place.
5. Press and hold the "Reset Air Filter" button on the control panel for three seconds. When the LED turns off, the status has been reset.



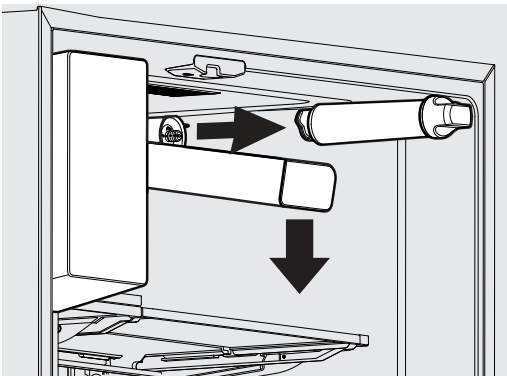
Air Filter

### Water Filter (selected models)

Your refrigerator is equipped with a water filtering system. The water filtering system filters all dispensed drinking water, as well as the water used to produce ice. The water filter is located at the top right side of the fresh food compartment.

In general, you should change the water filter every six months to ensure the highest possible water quality. Water filter status on the user interface prompts you to replace the filter after a standard amount of water (125 gallons/473 liters) has flowed through the system.

If your refrigerator has not been used for a period of time (during moving for example), change the filter before reinstalling the refrigerator



*NOTE: When ordering your replacement filter, please reorder the same filter type that is currently in your refrigerator.*

### Replacing the Water Filter

**To Remove:** Pull cover towards you and cover will drop down and allow access to filter.

**To Reinstall:** Push cover up towards liner and then push towards rear of cabinet. Filter cover will snap back into place.

It is not necessary to turn the water supply off to change the filter. Be ready to wipe up any small amounts of water released during the filter replacement.

1. Ensure that the ice maker is turned off
2. Remove the filter by turning anti-clockwise 180°
3. Slide the old water filter cartridge straight out of the housing and discard it.
4. Unwrap the new filter cartridge and using the alignment guide, slide it gently into filter housing until it stops against the filter connection at the back of the housing.

5. Engage the filter by firmly rotating clockwise until the filter snaps into position (once engaged the filter cannot be rotated further).
6. Press a drinking glass against the water dispenser while checking for any leaks at the filter housing. Any spurts and sputters that occur as the system purges air out of the dispenser system are normal.
7. After filling one glass of water, continue flushing the system for about four minutes.
8. Turn on the ice maker.
9. When the filter has been replaced press and hold the 'Ice and Water' button for three seconds to reset the filter replace timer.

## FOOD STORAGE GUIDE

| CATEGORY           | PRODUCT   | RECOMMENDED STORAGE TIMES FOR FRESH FOODS * |              |  | STORAGE TIPS   |
|--------------------|---|---|--------------|--|--|
|                    |   | REFRIGERATOR                                | ULTRA CHILL  | FREEZER  |  |
| MEAT               | Sausages and Mince  | 1-2 Days                                    | 3-5 Days     | 2-3 Months                                       | Keep cold meat at the back of the refrigerator where it is coldest.  |
|                    | Chops and Steak   | 3-4 Days                                    | 5-7 Days     | 4-6 Months                                       |  |
|                    | Cold Meats  | 3-5 Days                                    | 5-7 Days     | 4-6 Months                                       | Plastic can cause meat to sweat if stored in refrigerator for more than a day.   |
|                    | Roasts  | 3-5 Days                                    | 1 week       | 12 Months  | Roast can take up to 48 hours to defrost properly, transfer frozen roast to the refrigerator 2 days before use.  |
| POULTRY            | Chicken   | 1-2 Days                                    | 5-7 Days     | 2 Months   | If poultry takes on a smell or colour you are unsure about it is best to throw it out.   |
|                    | Roast Chicken   | 3-5 Days                                    | 1 week       | 12 Months  |  |
|                    | Eggs  | 6 Weeks                                     | Not Suitable | Not Suitable                                     | Whole eggs are not suitable for freezing, slightly beaten eggs may be frozen for four months.  |
| SEAFOOD            | Whole fish and fillets  | 2-3 Days                                    | 5-7 Days     | 2 Months   | Store in an airtight container or foil.  |
|                    | Lobster and Crab  | 1-2 Days                                    | 3-5 Days     | 2 Months   |  |
|                    | Prawns  | 1-2 Days                                    | 3-5 Days     | 2 Months   | Never freeze prawns in salty water as this will dehydrate the flesh.   |
| DAIRY              | Milk  | Until Expiry Date                           | Not Suitable | Not Suitable                                     | If dairy takes on a smell or colour and you are unsure about it, it is best to throw it out  |
|                    | Yoghurt   | 7- 10 Days                                  | Not Suitable | Not Suitable                                     |  |
|                    | Hard Cheeses  | 2 Weeks - 2 Months                          | 1-2 Months   | 2 Months (Grated)                                | Depending on the variety hard cheese can last from 2 weeks to 2 months.  |
|                    | Soft Cheeses  | 1-2 Weeks                                   | 2-4 Weeks    | Not Suitable                                     | Texture may change depending on the type of soft cheese  |
|                    | Butter  | 8 Weeks                                     | 3-4 Months   | 12 Months  |  |
| FRUIT & VEGETABLES | Every fruit and vegetable has a different shelf life.<br>Some stay fresh for a couple of days e.g. beans, others can last for a couple of months e.g. onions. |   | Not Suitable | 8-12 Months                                      | Keep vegetables in the crisper and away from the air vents to avoid freezing.<br><br>If you wash fruit and vegetables before storing them make sure they are dry or wrap in absorbent paper before storing in the refrigerator as this can make them susceptible to rotting. |
|                    |   |   |              | When freezing chop and blanch in small portions. |  |

### IMPORTANT

\*Please note, use this information as a guide only, actual storage times will vary depending on how you use your refrigerator.

## TROUBLESHOOTING

### Appliance does not operate at desired temperature

In a modern frost free refrigerator / freezer, cold air is circulated around the various compartments through air vents using a high efficiency fan.

| Concern                                | What to do   |
|--|--|
| Refrigerator is too warm.              | Ensure food is allowed to cool before placing inside the refrigerator.   |
|  | Ensure the appliance is set up as per instructions on page 11.   |
|  | Ensure that contents are not obstructing the cooling vents.  |
|  | Ensure the door is not held open or is being opened too frequently.  |
| Freezer is too warm.                   | Adjust temperature to a colder setting.  |
|  | Ensure food is allowed to cool before placing inside the freezer.  |
|  | Ensure the appliance is set up as per instructions on page 11.   |
|  | Ensure that contents are not obstructing the cooling vents.  |
| Food is freezing in the refrigerator.  | Adjust temperature to a warmer setting.  |
|  | Ensure that fruit and vegetables are stored in the crisper. Items with a high water content should not be placed near the cooling vents. |
| Unable to change temperature settings. | Refer to function guide in Controlling Your Refrigerator.  |
|  | Ensure that user interface is in "awake" mode before trying to adjust temperature settings.  |

### Appliance noise

Your new refrigerator may make sounds that your old one didn't make. Because the sounds are new to you, you might be concerned about them. Most of the new sounds are normal. Hard surfaces, like the floor, walls and cabinets, can make the sounds seem louder than they actually are. The following describes the kinds of sounds and what may be making them.

| Concern   | What to do   |
|---|--|
| Motor noise (compressor).                                 | Nothing. This is normal as your new refrigerator uses a variable speed compressor and fan that at start up and on warm days runs at a high speed to provide additional cooling.<br><br>When less cooling is required the compressor and fan will run at a lower speed Note that the compressor noise may seem louder at the start of the on cycle. |
| A clicking noise heard just before the compressor starts. | Nothing. This is normal as your new refrigerator has an automatic switching action of the temperature control, turning the compressor on and off.  |
| Occasional gurgling, similar to water boiling.            | Nothing. As each refrigeration cycle ends, you may hear a gurgling sound due to the refrigerant flowing in your refrigerator system.   |
| Airflow noise.  | Nothing, this is normal as your new refrigerator uses high efficiency fans to circulate air. Fan speed and noise may increase during periods of heavy usage or hot weather.  |
| Rattling and other noises.                                | Ensure that the cabinet is level and stable, refer to Installation Instructions on page 11.<br><br>Check the surrounds of the appliance to ensure there is nothing touching or placed on top of the appliance.<br><br>Ensure that contents of the appliance are not placed in such a way that they are vibrating (such as bottles).                |

### Crisper Operation

| Concern  | What to do  |
|--|---|
| Excess moisture build up in crisper. It is normal for there to be some moisture and humidity in the crisper bin. | Ensure that the crisper is not over packed.   |
|  | Adjust crisper humidity slides.   |
| Crisper bin cannot be removed.   | If crisper bin interferes with the door bins, remove door bins before removing crisper. |
|  | Position cabinet so that the door can be fully opened.                                  |
| Freezing items in the crisper.   | Adjust temperature to a warmer setting.   |

## TROUBLESHOOTING

### Refrigerator operation

| Concern   | What to do  |
|---|---|
| Appliance will not run<br>It is normal for the freezer fan not to operate during the automatic defrost cycle, or for a short time after the appliance is switched on.   | Ensure that the cord is plugged into a live power outlet and outlet is switched on.   |
|   | Ensure that the household circuit breaker has not tripped or that the fuse has not blown.   |
|   | The appliance maybe in defrost mode, check again in half an hour.   |
| Compressor motor seems to run too long<br><br>At normal room temperatures, expect your motor to run about 40% to 80% of the time. Under warmer conditions, expect it to run even more often.<br><br>The variable speed compressor and fan that at start up and on warm days runs at a high speed to provide additional cooling. When less cooling is required the compressor and fan will run at a lower speed. | Ensure that the doors are not held open.  |
|   | Check that large amounts of warm food have not just been placed inside the appliance.   |
|   | Note that the appliance will run more than normal just after you install it or when adjusting to temperature setting changes.     |
| The exterior of the appliance is warm or hot to touch<br><br>This is normal because the appliance transfers heat from the inside out through the outer panels and the divider between the doors.  | Ensure the appliance has the external clearances recommended in the section "Installing your new appliance".                      |
|   | The exterior of the cabinet will be much warmer on warmer days it may even feel hot to touch, as the appliance is working harder. |
| User interface will not respond<br><br>To ensure settings are not accidentally changed the user interface will go into sleep mode when not in use.<br><br>Press any button to wake user interface.  | Check that the user interface is in awake mode, refer to section "About the user interface".                                      |
|   | Check that the user interface is not locked, refer to section "About the user interface".   |
|   | If the user interface is frozen turn the appliance off for five minutes for the memory to clear, then turn back on.               |
|   | Check that the user interface is not in Sabbath Mode, refer to control instructions. (I&W models only).                           |
| Alarms sounding   | Check that all doors are fully closed.  |
|   | Ensure that the over temperature alarm is not being activated by hot food placed in the freezer.                                  |
|   | Check if the drinks timer has ended, refer control instructions.  |
| Frost build up  | Check if the Filter Replacement alert is activated, refer control instructions. (I&W models only)                                 |
|   | Check that all doors are fully closed.  |
|   | Ensure that the doors are not opened too often.   |
| Odours  | Ensure that the return air vents are not blocked with packaging.  |
|   | Ensure the seals are clean and not obstructed.  |
|   | The interior may need cleaning, refer to cleaning guide.  |
| Lights not working<br><br>The LED lighting is designed to dim automatically if the door is left opened for more than 5 minutes and turn off completely if the door is open for more than 7 minutes. Closing the door will reset the timer.<br><br>The LED lighting is also designed to turn on gradually.   | Ensure that food is stored correctly as some food, containers and wrapping can produce odours.                                    |
|   | Check appliance for old or unusual food.  |
|   | Ensure that the cord is plugged into a live power outlet and outlet is switched on.   |
|   | Ensure that the household circuit breaker has not tripped or that the fuse has not blown.   |
|   | Check that the user interface is not in Sabbath Mode, refer to control instructions.  |
|   | Close and re-open the door. When door has been open for 5 minutes the lights fade to 50% then after 7 minutes they will turn off. |



## TROUBLESHOOTING

### Door operation

| Concern                          | What to do   |
|----------------------------------|--|
| Freezer door pops open.          | This is normal and should re-close. This happens when the refrigerator door is closed too quickly.   |
|                                  | If the freezer door stays open, it indicates that the appliance needs to be tilted backwards a little further. Refer to section "Installing your new appliance". |
| Self close not working.          | Check if your appliance has self closing hinges as not all models do.  |
|                                  | It indicates that the appliance needs to be tilted backwards a little further. Refer to section "Installing your new appliance".                                 |
| Door not sealing properly        | Ensure there is nothing that is preventing the door from closing such as appliance contents or items placed near the appliance.                                  |
|                                  | Ensure that the crisper/freezer bin is closed completely. Refit if required as referred to in the section "Using your refrigerator".                             |
|                                  | Ensure the appliance is set up as per recommendations.   |
| Door difficult to open and close | If the door is difficult to open just after you have closed it this is due to the pressure equalising, the door will open normally after a few minutes.          |

### Automatic Ice maker system

| Concern  | What to do   |
|--|--|
| Ice maker does not produce ice or not enough ice<br><br>The icemaker is designed to produce a tray of ice approximately every 3 hours, depending on room temperature and water temperature.. | Ensure that the cord is plugged into a live power outlet and outlet is switched on.  |
|  | Ensure that water is connected and turned on and there are no kinks in the water line.   |
|  | Ensure that the Ice Maker is switched on at the user interface refer to "About the User Interface" for details.  |
|  | Check that the water filter is not blocked or out of date.   |
|  | Check the water supply flow rate.  |
|  | If the freezer compartment is too warm, refer to "freezer is too warm" then wait 24 hours for the freezer to reach ideal temperature.                                |
|  | Turn the unit off at the mains and leave for 2 minutes then turn the appliance back on (this will reset the icemaker unit). Check for ice production after 24 hours. |
|  | Check that there is no obstruction under the ice maker and ensure the ice bin is fitted correctly.   |
| Ice has bad odour or taste   | Cover food to ensure ice does not absorb foreign odours.   |
|  | Check that the water filter is not out of date.  |
|  | Interior of appliance or ice bin may require cleaning, refer to "Cleaning your refrigerator".  |
|  | Discard stale ice monthly and allow ice maker to produce a fresh supply.   |

### If you still require service

If you have a problem, and the problem persists after you have made the checks mentioned, contact your nearest Electrolux approved Service Centre or the dealer you bought the refrigerator from. Be ready to quote the model number, the 9-digit PNC and 8-digit serial number, which is stated on the label inside the refrigerator compartment.

# Electrolux Warranty

FOR SALES IN AUSTRALIA AND NEW ZEALAND  
 APPLIANCE: ELECTROLUX REFRIGERATORS AND FREEZERS

**This document sets out the terms and conditions of the product warranties for Electrolux Appliances. It is an important document. Please keep it with your proof of purchase documents in a safe place for future reference should there be a manufacturing defect in your Appliance. This warranty is in addition to other rights you may have under the Australian Consumer Law.**

**1. In this warranty:**

- (a) 'ACL' or 'Australian Consumer Law' means Schedule 2 to the Competition and Consumer Act 2010;
- (b) 'Appliance' means any Electrolux product purchased by you and accompanied by this document;
- (c) 'ASC' means Electrolux's authorised serviced centres;
- (d) 'Electrolux' is the brand controlled by Electrolux Home Products Pty Ltd of 163 O'Riordan Street, Mascot NSW 2020, ABN 51 004 762 341 in respect of Appliances purchased in Australia and Electrolux (NZ) Limited (collectively "Electrolux") of 3-5 Niall Burgess Road, Mount Wellington, in respect of Appliances purchased in New Zealand;
- (e) 'Warranty Period' means the period specified in clause 3 of this warranty;
- (f) 'you' means the purchaser of the Appliance not having purchased the Appliance for re-sale, and 'your' has a corresponding meaning.

**2. Application:** This warranty only applies to new Appliances, purchased and used in Australia or New Zealand and is in addition to (and does not exclude, restrict, or modify in any way) other rights and remedies under a law to which the Appliances or services relate, including any non-excludable statutory guarantees in Australia and New Zealand.

**3. Warranty Period:** Subject to these terms and conditions, this warranty continues for in Australia for a period of 24 months and in New Zealand for a period of 24 months, following the date of original purchase of the Appliance. Specific components are warranted against manufacturing defects in Australia and New Zealand for the periods listed below;

- Compressor – Further 3 years parts only,
- External Condenser – Further 3 years parts only
- Evaporator – Further 3 years parts only
- Drier – Further 3 years parts only

**4. Repair or replace warranty:** During the Warranty Period, Electrolux or its ASC will, at no extra charge if your Appliance is readily accessible for service, without special equipment and subject to these terms and conditions, repair or replace any parts which it considers to be defective. Electrolux may, in its absolute discretion, choose whether the remedy offered for a valid warranty claim is repair or replacement. Electrolux or its ASC may use refurbished parts to repair your Appliance. You agree that any replaced Appliances or parts become the property of Electrolux.

**5. Travel and transportation costs:** Subject to clause 7, Electrolux will bear the reasonable cost of transportation, travel and delivery of the Appliance to and from Electrolux or its ASC. Travel and transportation will be arranged by Electrolux as part of any valid warranty claim.

**6. Proof of purchase** is required before you can make a claim under this warranty.

**7. Exclusions:** You may not make a claim under this warranty unless the defect claimed is due to faulty or defective parts or workmanship. This warranty does not cover:

- (a) light globes, batteries, filters or similar perishable parts;
- (b) parts and Appliances not supplied by Electrolux;
- (c) cosmetic damage which does not affect the operation of the Appliance;
- (d) damage to the Appliance caused by:
  - (i) negligence or accident
  - (ii) misuse or abuse, including failure to properly maintain or service;
  - (iii) improper, negligent or faulty servicing or repair works done by anyone other than an Electrolux authorised repairer or ASC;
  - (iv) normal wear and tear
  - (v) power surges, electrical storm damage or incorrect power supply;
  - (vi) incomplete or improper installation;
  - (vii) incorrect, improper or inappropriate operation;
  - (viii) insect or vermin infestation
  - (ix) failure to comply with any additional instructions supplied with the Appliance;

In addition, Electrolux is not liable under this warranty if:

- (a) the Appliance has been, or Electrolux reasonably believes that the Appliance has been, used for purposes other than those for which the Appliance was intended, including where the Appliance has been used for any non-domestic purpose;
- (b) the Appliance is modified without authority from Electrolux in writing;
- (c) the Appliance's serial number or warranty seal has been removed or defaced.

**8. How to claim under this warranty:** To enquire about claiming under this warranty, please follow these steps:

- (a) carefully check the operating instructions, user manual and the terms of this warranty;
- (b) have the model and serial number of the Appliance available;
- (c) have the proof of purchase (e.g. an invoice) available;
- (d) telephone the numbers shown below.

**9. Australia:** For Appliances and services provided by Electrolux in Australia: Electrolux goods come with guarantees that cannot be excluded under the Australian Consumer Law. You are entitled to a replacement or refund for a major failure and for compensation for any other reasonably foreseeable loss or damage. You are also entitled to have the Appliance repaired or replaced if the Appliance fails to be of acceptable quality and the failure does not amount to a major failure. 'Acceptable quality' and 'major failure' have the same meaning as referred to in the ACL.

**10. New Zealand:** For Appliances and services provided by Electrolux in New Zealand, the Appliances come with a guarantee by Electrolux pursuant to the provisions of the Consumer Guarantees Act, the Sale of Goods Act and the Fair Trading Act. Where the Appliance was purchased in New Zealand for commercial purposes the Consumer Guarantee Act does not apply.

**11. Confidentiality:** You accept that if you make a warranty claim, Electrolux and its agents including ASC may exchange information in relation to you to enable Electrolux to meet its obligations under this warranty.

**Important Notice**

Before calling for service, please ensure that the steps listed in clause 8 above have been followed.

|  |  |   |
|--|--|---|
| <p><b>FOR SERVICE</b><br/>                 or to find the address of your nearest authorised service centre in Australia<br/> <b>PLEASE CALL 13 13 49</b><br/>                 For the cost of a local call (Australia only)</p> | <p><b>AUSTRALIA</b><br/>                 ELECTROLUX HOME PRODUCTS<br/>                 163 O'Riordan Street, Mascot NSW 2020<br/>                 electrolux.com.au</p>    | <p><b>FOR SPARE PARTS</b><br/>                 or to find the address of your nearest spare parts centre in Australia<br/> <b>PLEASE CALL 13 13 50</b><br/>                 For the cost of a local call (Australia only)</p> |
| <p><b>FOR SERVICE</b><br/>                 or to find the address of your nearest authorised service centre in New Zealand<br/> <b>PLEASE CALL 0800 10 66 10</b><br/>                 (New Zealand only)</p>                     | <p><b>NEW ZEALAND</b><br/>                 ELECTROLUX (NZ) Limited<br/>                 3-5 Niall Burgess Road, Mount Wellington<br/>                 electrolux.co.nz</p> | <p><b>FOR SPARE PARTS</b><br/>                 or to find the address of your nearest spare parts centre in New Zealand<br/> <b>PLEASE CALL 0800 10 66 20</b><br/>                 (New Zealand only)</p>                     |



**Electrolux Home Products Australia**

telephone: 1300 363 640  
fax: 1800 350 067  
email: [customercare@electrolux.com.au](mailto:customercare@electrolux.com.au)  
web: [electrolux.com.au](http://electrolux.com.au)

**shop.electrolux.com.au**



**Electrolux Home Products New Zealand**

telephone: 0800 436 245  
fax: 0800 225 088  
email: [customercare@electrolux.co.nz](mailto:customercare@electrolux.co.nz)  
web: [electrolux.co.nz](http://electrolux.co.nz)



To add a touch of professional inspiration to your home, visit [electrolux.com.au](http://electrolux.com.au) or [electrolux.co.nz](http://electrolux.co.nz)

[electrolux.com.au](http://electrolux.com.au)



[electrolux.com.au](http://electrolux.com.au)

or [electrolux.co.nz](http://electrolux.co.nz)



[electrolux.co.nz](http://electrolux.co.nz)

**P/No. A10883109/B**

© 2016 Electrolux Home Products Pty Ltd.  
ABN 51 004 762 341

MDR4\_JUN18