

# EDWB16G

## 60cm Freestanding Dishwasher

**Euromaid**



| FEATURES                 |                                    |
|--------------------------|------------------------------------|
| Finish                   | Black Glass                        |
| Place Settings           | 16                                 |
| Display                  | Red LED (Internal)                 |
| Controls                 | Electronic Touch                   |
| Cutlery Tray             | Full Size                          |
| Upper Basket Type        | 3 Adjustable Levels (Fully Loaded) |
| Cutlery Basket           | Included                           |
| No. of Spray Arms        | 3                                  |
| Adjustable Plate Holders | 3                                  |
| Drying System            | Closed Fan                         |
| Delay Start              | Up To 24Hrs                        |
| Flood Protection         | Overflow Sensor + Aquastop         |
| Rinse Aid Indicator      | Yes                                |
| Internal Tub Material    | Stainless Steel                    |
| Filter Type              | 3 Stage                            |

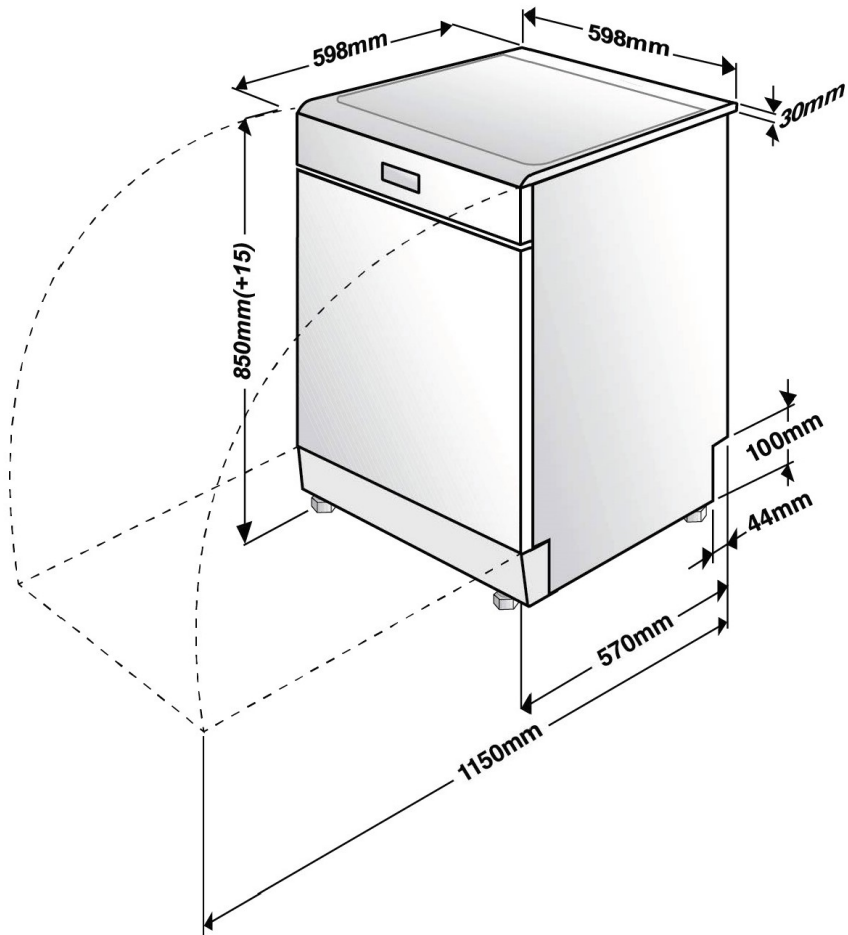
| PROGRAMS  |                 |
|-----------|-----------------|
| Program 1 | Eco 45°         |
| Program 2 | Auto 40 -65°    |
| Program 3 | Daily+ 55 - 65° |
| Program 4 | Intensive 70°   |
| Program 5 | Quick 60°       |
| Program 6 | Glasscare 40°   |
| Program 7 | Mini 35°        |
| Program 8 | Prewash         |

| AUXILIARY FUNCTIONS |              |
|---------------------|--------------|
| Function 1          | Half Load    |
| Function 2          | Fast+        |
| Function 3          | Extra Drying |
| Function 4          | TurboWash    |

# EDWB16G

## 60cm Freestanding Dishwasher

# Euromaid



### SPECIFICATIONS

|                       |                   |
|-----------------------|-------------------|
| Electrical Connection | 10A Plug          |
| Power                 | 220 – 240V / 50Hz |
| Total Wattage         | 2100W             |
| Heating Element       | 1800W             |
| Motor                 | BLDC              |
| Energy Rating         | 4 Stars           |
| Water Rating          | 4.5 Stars         |
| Noise Level           | 43dBA             |

### DIMENSIONS (W X H X D)

|                       |                       |
|-----------------------|-----------------------|
| Product Boxed (mm)    | 657 x 897 x 674       |
| Product Un-boxed (mm) | 598 x 850 – 865 x 598 |
| Cut-Out (mm)          | 600 x 855 – 870 x 600 |

### WEIGHT

|                       |      |
|-----------------------|------|
| Product Boxed (kg)    | 54.7 |
| Product Un-boxed (kg) | 50.8 |

### WARRANTY

|                 |                          |
|-----------------|--------------------------|
| Product         | 2 Years Parts and Labour |
| Brushless Motor | 5 Years Parts Only       |



VERSION NO. 20200407